

SPARE PARTS EXPLODED VIEW GAS-WALL BOILER ATM. BURNER

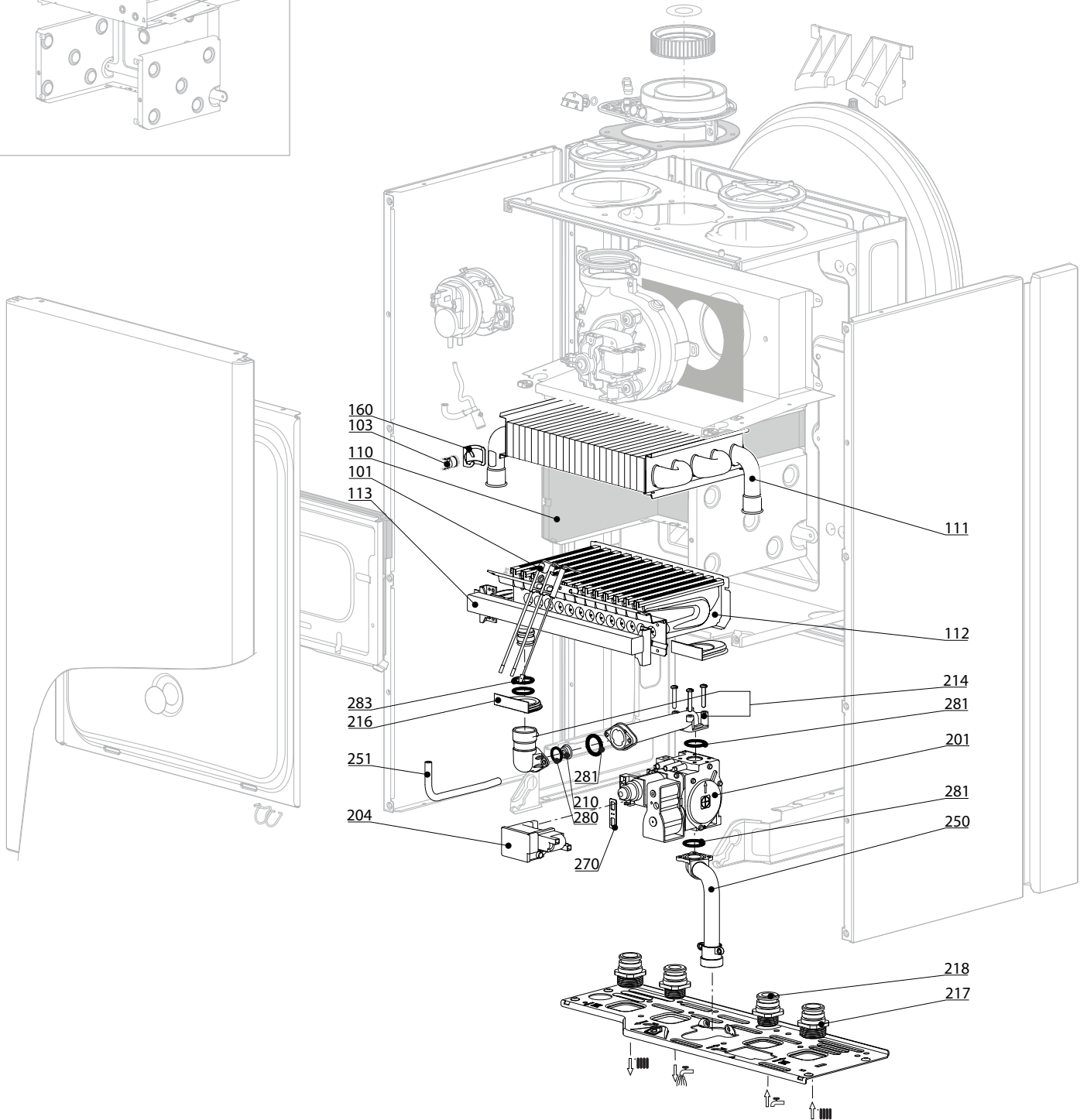
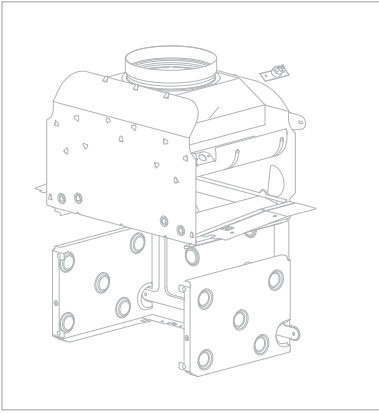
Model

MIRA C EVO

R8203345-03 - 09/09/2015

1	3310252	MIRA C EVO 25 CF FR BE	05-2012	08-2015
2	3310416	MIRA C 25 CF FR BE EU	05-2015	-
3	3310251	MIRA C EVO 24 VMC FR	05-2012	08-2015
4	3310415	MIRA C 24 VMC FR EU	05-2015	-
5	3310306	MIRA C EVO 25 30 FF FR BE	05-2012	08-2015

Col	Reference	Model type	Begin	End
-----	-----------	------------	-------	-----

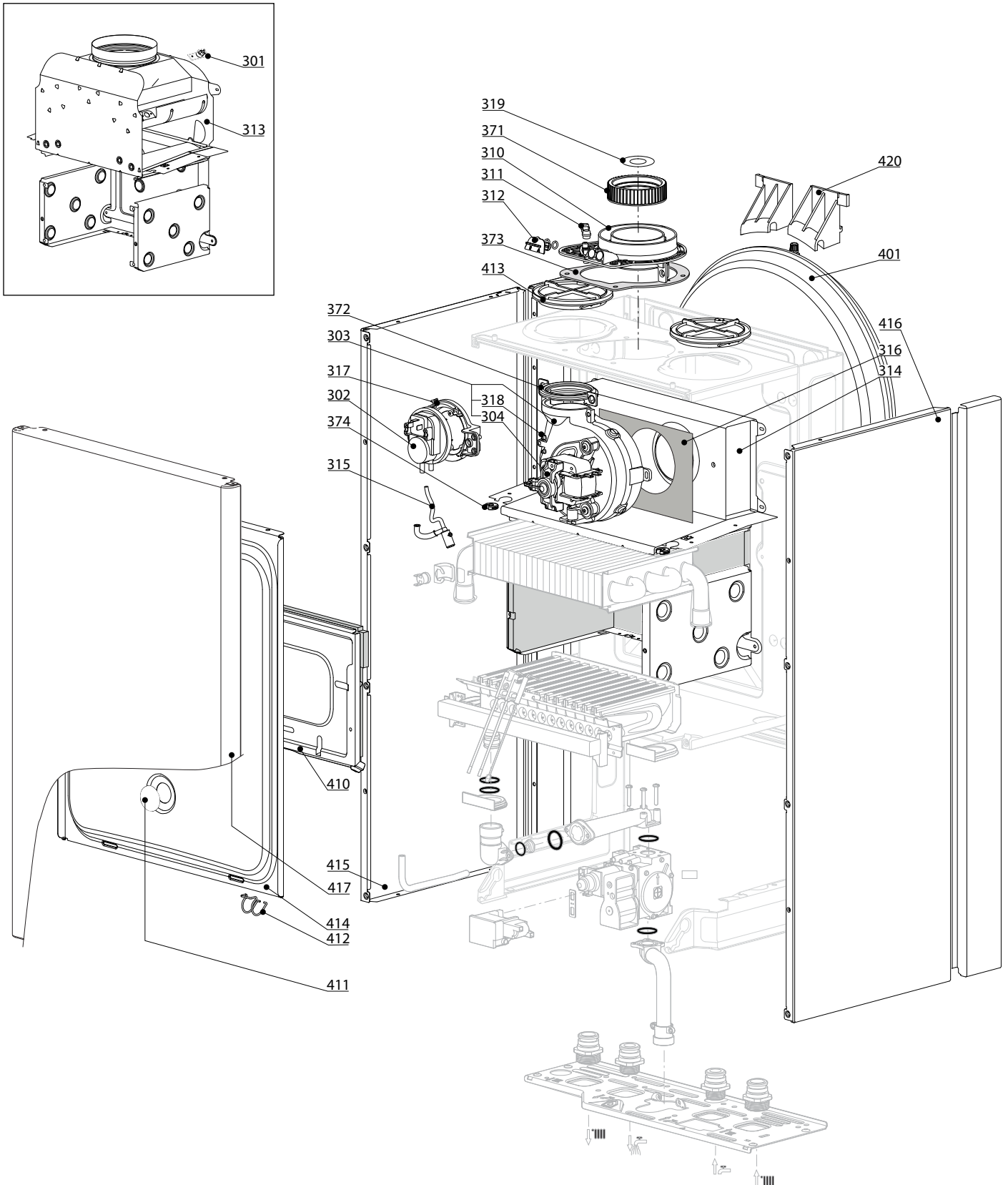


☉⇒	Description	Manf. Pt. N	Type	MIRA C EVO 25 CF MIRA C 25 CF CF MIRA C EVO 24 EU MIRA C 24 VMC EU MIRA C EVO 23 30 FF																		📅 31 From to			
				1	2	3	4	5	6	7	8	9	10	11	12	13	14	15	16	17	18				
0100	BURNER ASSEMBLY																								
0101	ELECTRODE (IGNITION/IONIZATION)	65104549		●	●	●	●																		
0110	PANELS (KIT)	65104695		●	●	●	●																		
0111	HEAT EXCHANGER	65104247		●	●	●	●																		
	HEAT EXCHANGER	65111932								●															
0112	BURNER 13NP	60001582		●	●	●	●																		
	BURNER 13NP	65104220								●															
0113	GAS MANIFOLD 13 INJ. D:1.25	65104302	NAT	●	●	●	●																		
	GAS MANIFOLD 13 INJ. D:1.32	65104226	NAT							●															
0200	GAS SECTION																								
0201	GAS VALVE	65104254	NAT	●	●	●	●	●																	
0204	SPARK GENERATOR	60001888		●	●	●	●	●																	
0210	GAS RESTRICTOR D: 6.3	60000018	NAT	●	●	●	●																		
	RESTRICTOR D: 7	65105152	NAT							●															
0214	PIPE (GAS VALVE/BURNER)	65104230		●	●	●	●	●																	
0216	GROMMET	60000624		●	●	●	●	●																	
0217	UNION (3/4»)	65104326		●	●	●	●	●																	
0218	UNION (1/2»)	65104327		●	●	●	●	●																	
0250	GAS TUBE	60000720		●	●	●	●	●																	
0251	EPDM PIPE	65104296								●															
0270	GASKET (SPARK GENERATOR)	574279		●	●	●	●	●																	
0280	O-RING 14X2	60000903	NAT	●	●	●	●	●																	
0281	O-RING 22.22X2.62	65104304		●	●	●	●	●																	
0283	O-RING 17.17X1.78	65104303		●	●	●	●	●																	

300
400

MIRA C EVO

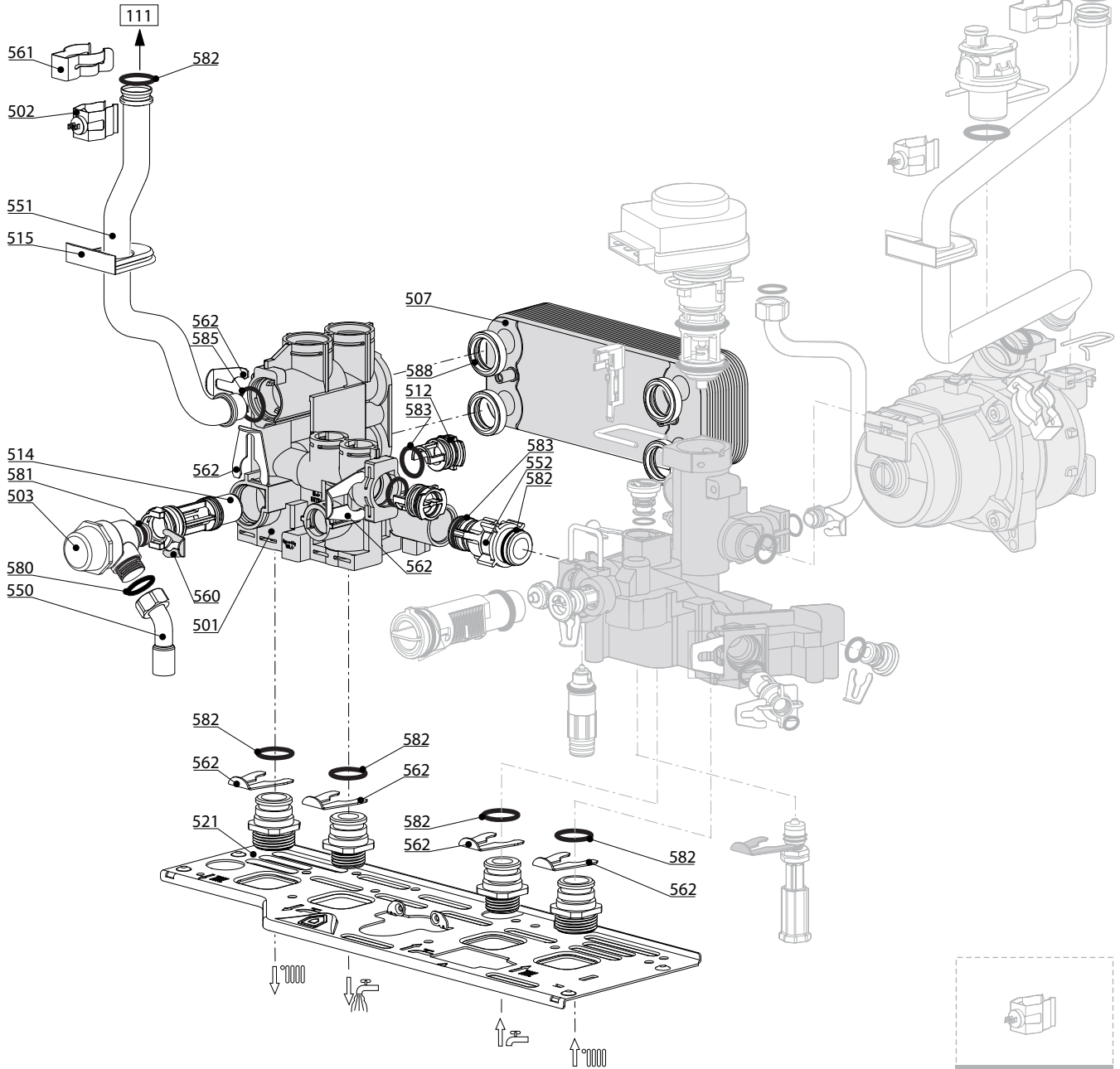
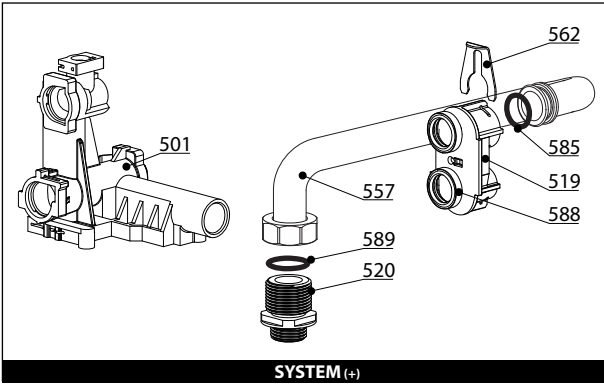
Gas-wall boiler atm. burner

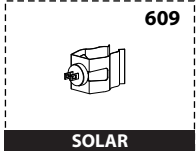
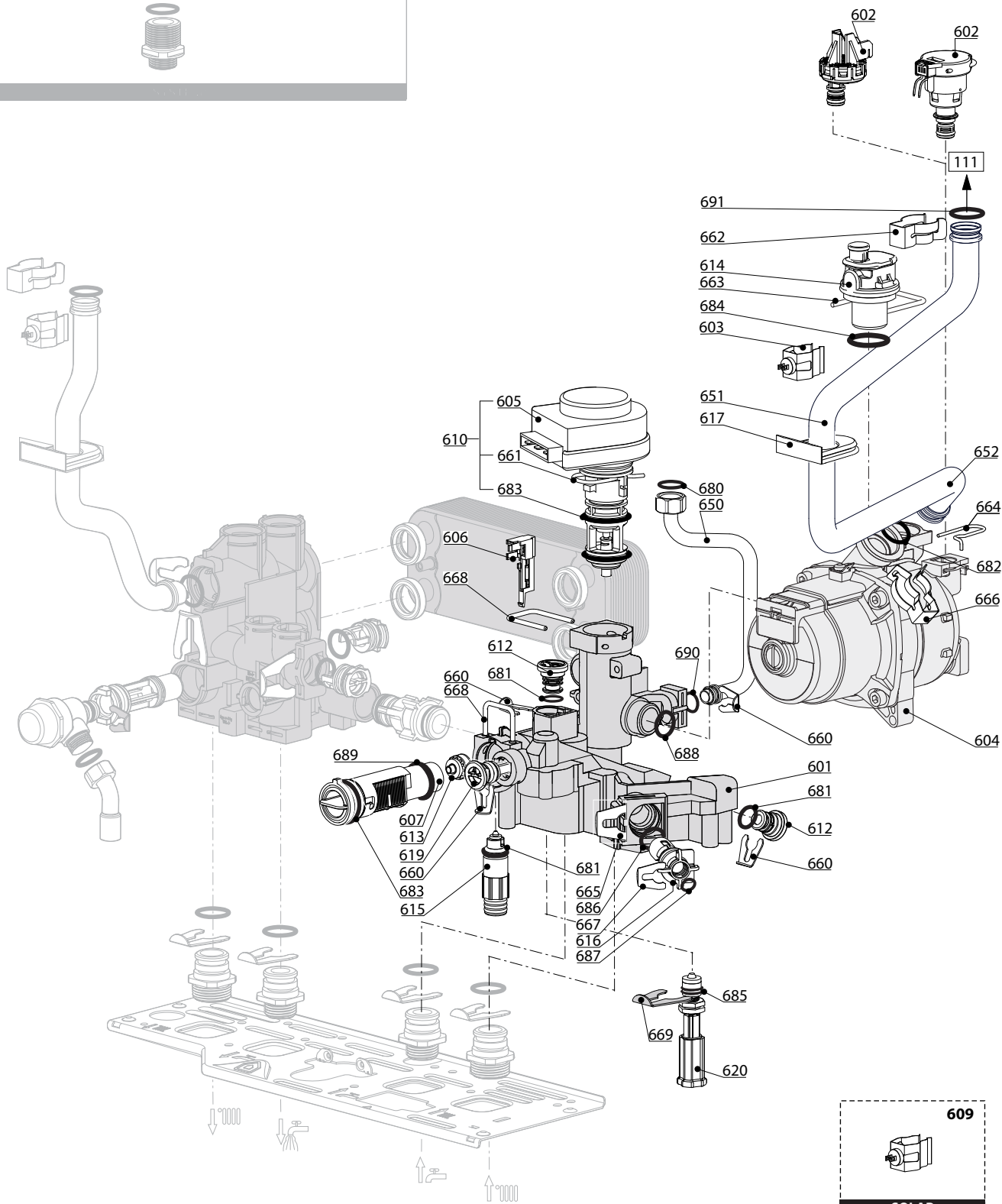
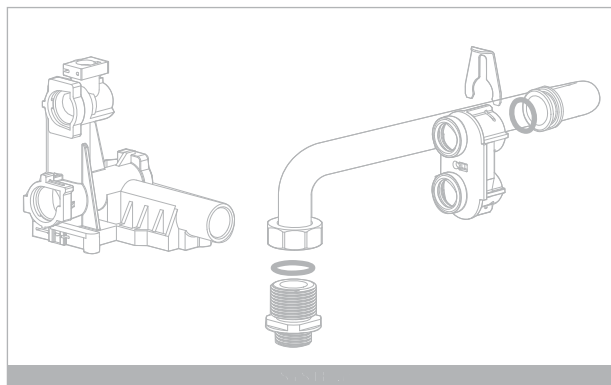


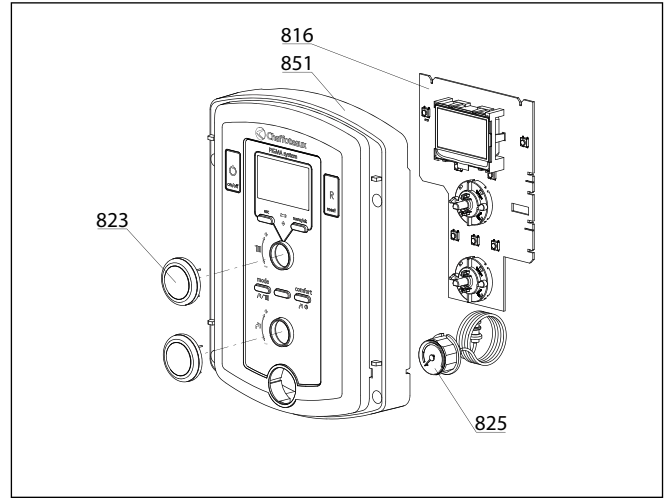
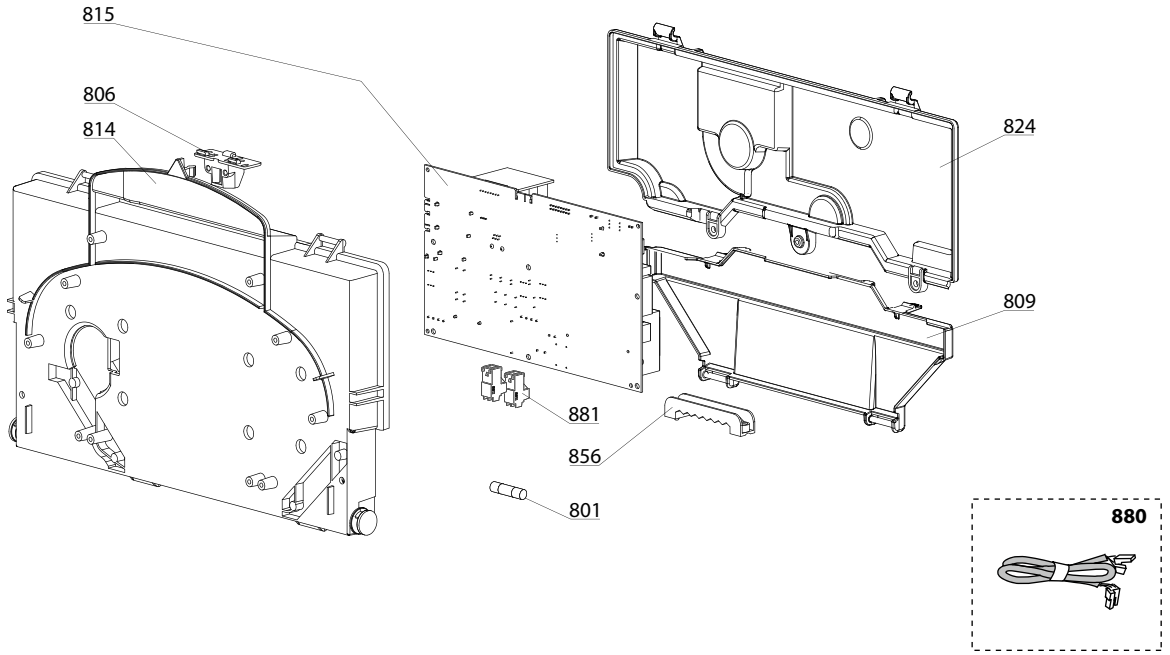
MIRA C EVO 25 CF
 MIRA C 25 CF EU
 MIRA C EVO 24 VMC EU
 MIRA C 24 VMC EU
 MIRA C EVO 25 30 FF

⊕⇒	Description	Manf. Pt. N	Type	31																	
				1	2	3	4	5	6	7	8	9	10	11	12	13	14	15	16	17	18
0300	FAN ASSEMBLY																				
0301	OVERHEAT THERMOSTAT 49C THERMOSTAT 75-65°C	61310767 999539					•	•													
0302	AIR PRESSURE SWITCH 74 Pa	65104672-01								•											
0303	FAN	65104231								•											
0304	HALL SENSOR 28/30/35 FF	65108255								•											
0310	FLUE (EXHAUST MANIFOLD/HEADER)	65105393								•											
0311	AIR INTAKE COVER	573329								•											
0312	FLUE INTAKE PLUG	65104295								•											
0313	COMBUSTION CHAMBER 24CF	65104218		•	•		•	•													
0314	COMBUSTION CHAMBER 24/28 FF	65104219								•											
0315	CONDENSATE TRAP	65104623								•											
0316	PANEL (INSULATION - FAN)	65104305								•											
0317	SUPPORT (AIR PRESSURE SWITCH)	65104378								•											
0318	VENTURI 28/30FF	65106515								•											
0319	RESTRICTOR KIT	60001598								•											
0371	COLLAR GASKET	65104258								•											
0372	FAN GASKET	65104257								•											
0373	GASKET	60000317								•											
0374	CABLE INLET RUBBER WASHER	60000716		•	•		•	•	•												
0400	SEALED CASE																				
0401	EXPANSION VESSEL 8L	65104261		•	•		•	•	•												
0410	PANEL (COMBUSTION CHAMBER)	65104240		•	•		•	•	•												
0411	SIGHT GLASS	65104232								•											
0412	SPRING FRONT PANEL (KIT)	65104298								•											
0413	AIR RETURN COVER	65104249								•											
0414	PANEL (FRONT - SEALED CHAMBER)	65105679-01								•											
0415	CASE PANEL (L.H. SIDE)	65105676		•	•		•	•	•												
0416	CASE PANEL (R.H. SIDE)	65105677		•	•		•	•	•												
0417	CASE PANEL (FRONT)	60000983		•	•		•	•	•												
0420	EXPANSION VESSEL SUPPORT	65104696		•	•		•	•	•												

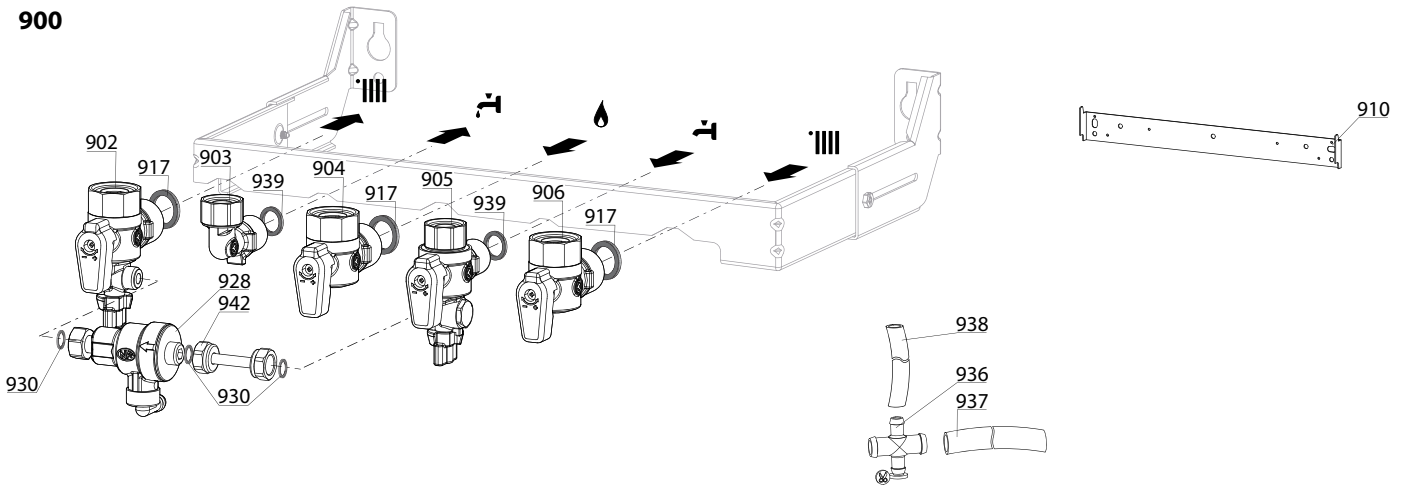
MIRA C EVO
 Gas-wall boiler atm. burner








900



5000

<p>5001 Transf. gaz > GPL Conv. gas > GPL Trasn. gas > GPL Transf. gas > GPL</p>	<p>5002 Transf. gaz > Nat Conv. gas > Nat Trasn. gas > Met Transf. gas > Met</p>	<p>5020 Options Accessories Opzioni Accessorio</p>
---	---	---

☉	Description	Manf. Pt. N	Type	MIRA C EVO 23 CF MIRA C 25 CF CF MIRA C EVO EU MIRA C 24 VMC MIRA C EVO 23 30 FF																		 From to
				1	2	3	4	5	6	7	8	9	10	11	12	13	14	15	16	17	18	
0800	ELECTRICAL BOX																					
0801	FUSE 250V 2A	61003456		●	●	●	●															
0806	PUSH	65104228		●	●	●	●															
0809	INSPECTION COVER	60001618		●	●	●	●															
0814	CONTROL PANEL	60001616-01		●	●	●	●															
0815	P.C.B. (MAIN)	60001897-01		●	●		●															
	P.C.B. (MAIN)	60001897-02			●		●															
0816	P.C.B. (DISPLAY)	60001906-02		●	●	●	●	●														
0823	KNOB	60001933		●	●	●	●	●														
0824	CONTROL PANEL COVER (REAR)	60001617		●	●	●	●	●														
0825	PRESSURE GAUGE	60001907		●	●	●	●	●														
0851	FRONT CONTROL PANEL COMPLETE	60001908		●	●	●	●	●														
0856	CABLE CLAMP	65103377		●	●	●	●	●														
0880	3-WAY VALVE CABLE	60001621		●	●	●	●	●														
	CABLE (IONIZATION ELECTRODE)	60001883		●	●	●	●	●														
	CABLE (IONIZATION ELECTRODE)	65104518		●	●	●	●	●														
	DISPLAY WIRING - 5 WIRES BLUES	60000746		●	●	●	●	●														
	EARTH WIRE	65104286		●	●	●	●	●														
	FAN CABLE	60001892						●														
	FEEDER 240V	60001619		●	●	●	●	●														
	FLOW METER - PRESSURE SENSOR CABLE	60001620		●	●	●	●	●														
	NTC - PRES SWITCH CABLE	60001889						●														
	NTC - GAS VALVE CABLE	60001885		●	●	●	●	●														
	NTC PROBE - OVERHEAT THERMOSTAT CABLE	60001890						●	●													
	NTC PROBE - OVERHEAT THERMOSTAT CABLE	60001900		●	●																	
	PUMP 2V CABLE 5M WILO	65104520	WILO	●	●	●	●	●														
	PUMP CABLE 1V ENER+	60001887	ENER +		●			●														
	TACHOMETER FAN CABLE	60001893																●				
0881	CONNECTOR 2P	65111933		●	●	●	●	●														
	CONNECTOR 3P (x5)	65111934-01		●	●	●	●	●														
0900	JIG PLATE & PIPE FITTING																					
0902	WATER FLOW SERVICE TAP	60000886		●	●	●	●	●														
0903	HOT WATER CONNECTION	60000891		●	●	●	●	●														
0904	GAS SERVICE TAP	60000898		●	●	●	●	●														
0905	COLD WATER TAP	60000894		●	●	●	●	●														
0906	WATER FLOW & RETURN SERVI. TAP	60000885		●	●	●	●	●														
0910	WALL HOOK	60000625		●	●	●	●	●														
0917	SHEET GASKET D: 24-17-1.5	60061855-19		●	●	●	●	●														
0928	DISCONNECTOR	60000881		●	●	●	●	●														
0930	SHEET GASKET D: 11-5-1.5	60061853-07		●	●	●	●	●														
0936	UNION	60000879		●	●	●	●	●														
0937	TUBE PVC D: 13x17 L: 1M	60081266-02		●	●	●	●	●														
0938	TUBE PVC D: 9x12 L: 1M	60081266		●	●	●	●	●														
0939	SHEET GASKET D: 16.5-11-1.5	60061854-14		●	●	●	●	●														
0942	FILLER NECK	60001078		●	●	●	●	●														
5000	ACCESSORIES																					
5001	BURNER JET FULL KIT (LPG)	65104582-01						●														
	BURNER JET FULL KIT (LPG)	65106690-01		●	●																	
5002	BURNER JET FULL KIT (NG) FR	65104585-01						●														
	BURNER JET FULL KIT (NG) FR	65106692-01		●	●																	
5020	FRAME SPREADER	60002378		●	●	●	●	●														

LIST OF THE ABBREVIATIONS

HW	: Hot water.
CW	: Cold water.
C	: Ceramic resistance (normal heating).
Ca	: Ceramic resistance (accelerated heating)
TP	: Immersion heater.
1F	: With fittings.
2F	: Without fittings.
3F	: With fittings and another outlet connection.
AMI	: With mixing valve.
SMI	: Without mixing valve.
PUISS	: Power of th appliance.
PN	: Appliance with normal pression.
LP	: Appliance with low pression.
PV	: Appliance with variable power.
PF	: Appliance with fixed power.

IDENTIFICATION PLATE

SERIAL NUMBER

10 Characters :	04 05 125 011		
		Sequential number	
		Manufacturing day	
		Year of manufacture	
11 Characters :	1 95 065004 - 31		
Month of manufacture :		Technical number of the appliance	
from 1 to 9 → Jan. to Sep.,		Sequential number	
O → Oct., N → Nov.,		Year of manufacture	
D → Dec.			
19 Characters :	08 05 0013199 900640031		
Year of manufacture		Product reference	
Month of manufacture		Sequential number	
20 Characters :	3675007 XX 2 07 070 00315		
Product reference		Sequential number	
Millenium of manufacture		Manufacturing day	
		Year of manufacture	
21 Characters :	3675007 XX 07 070 0000315		
Product reference		Sequential number	
Year of manufacture		Manufacturing day	