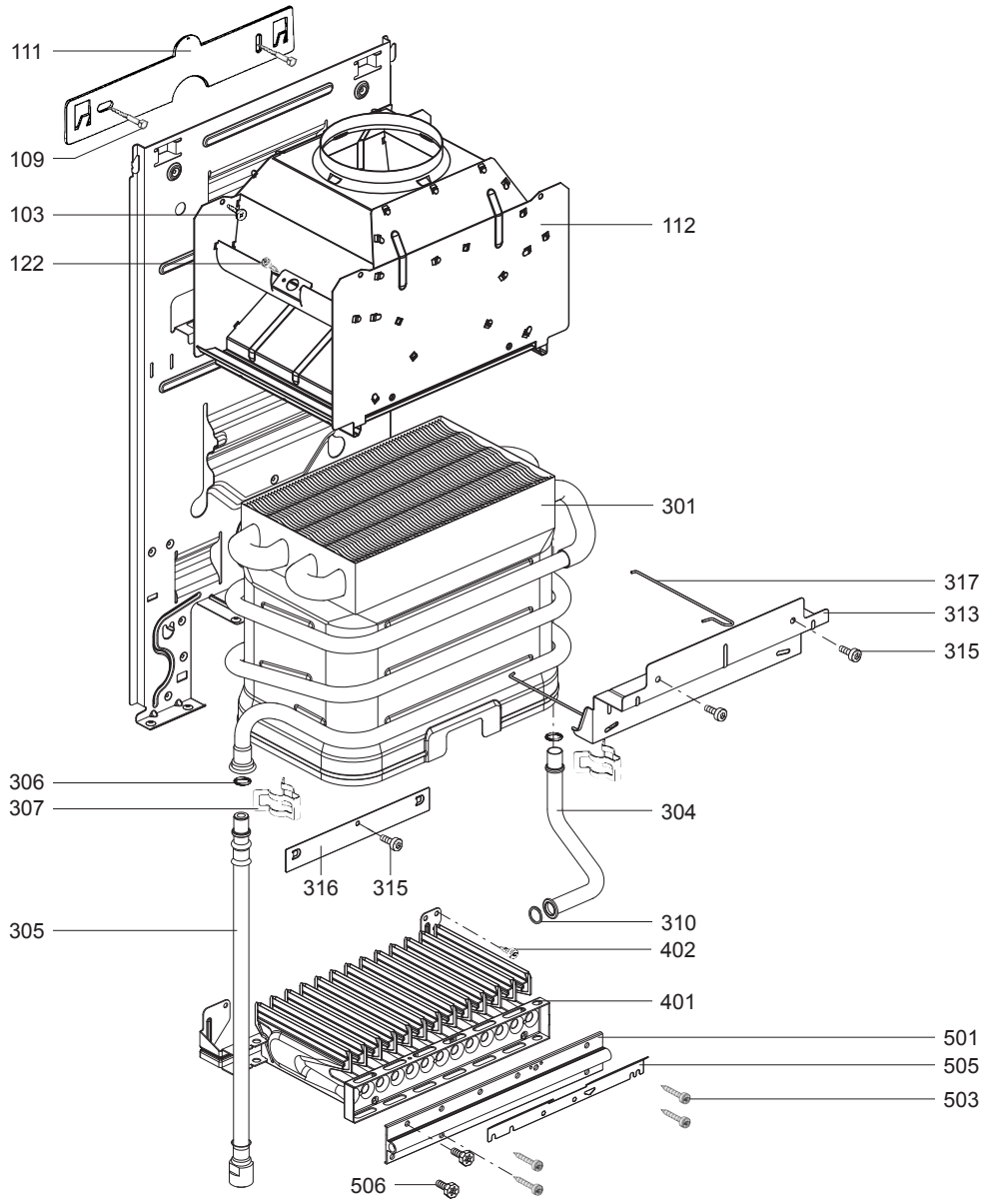


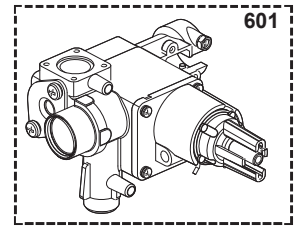
SPARE PARTS EXPLODED VIEW
INSTANTANEOUS GAS WATER HEATERS
Model
FLUENDO P

R8203111-04 - 23/05/2016

1	3675053	FLUENDO 11 CF P	03-2007	05-2014
2	3675054	FLUENDO 14 CF P	03-2007	05-2014
Col	Reference	Model type	Begin	End

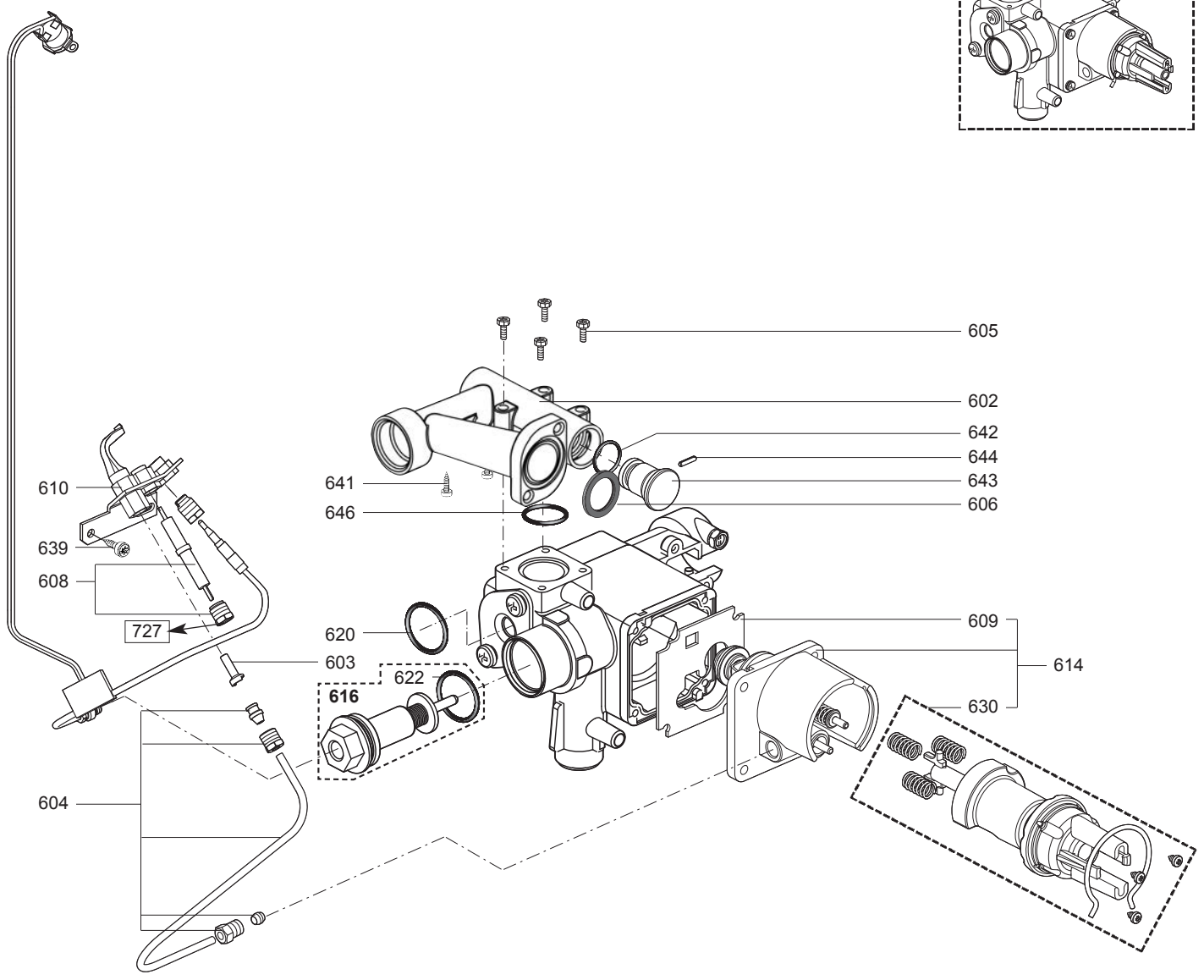


600

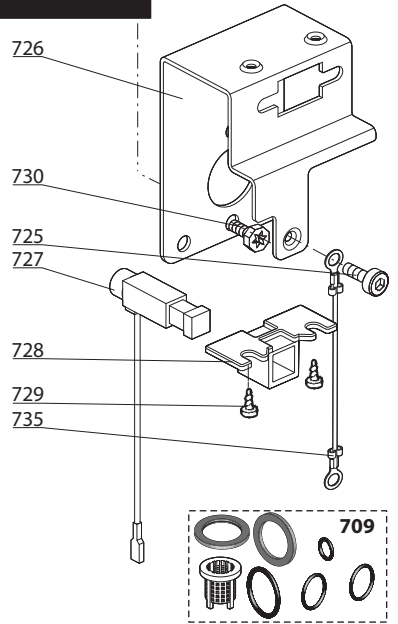
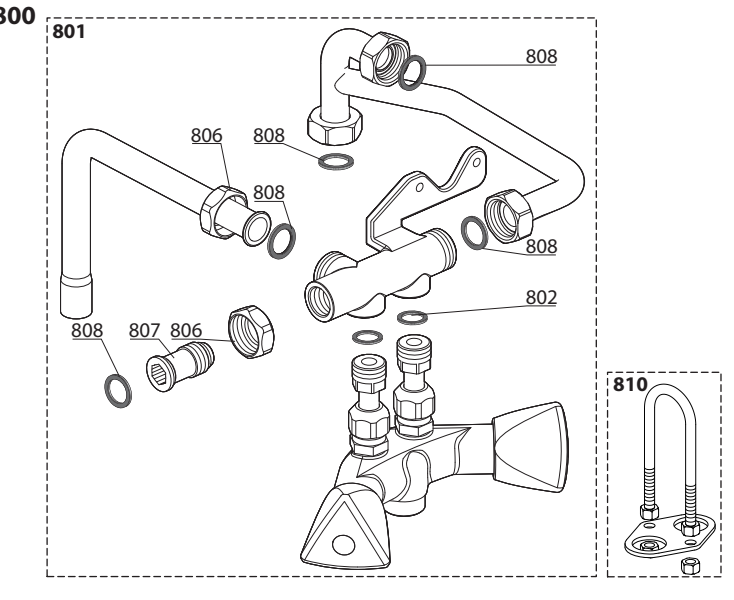
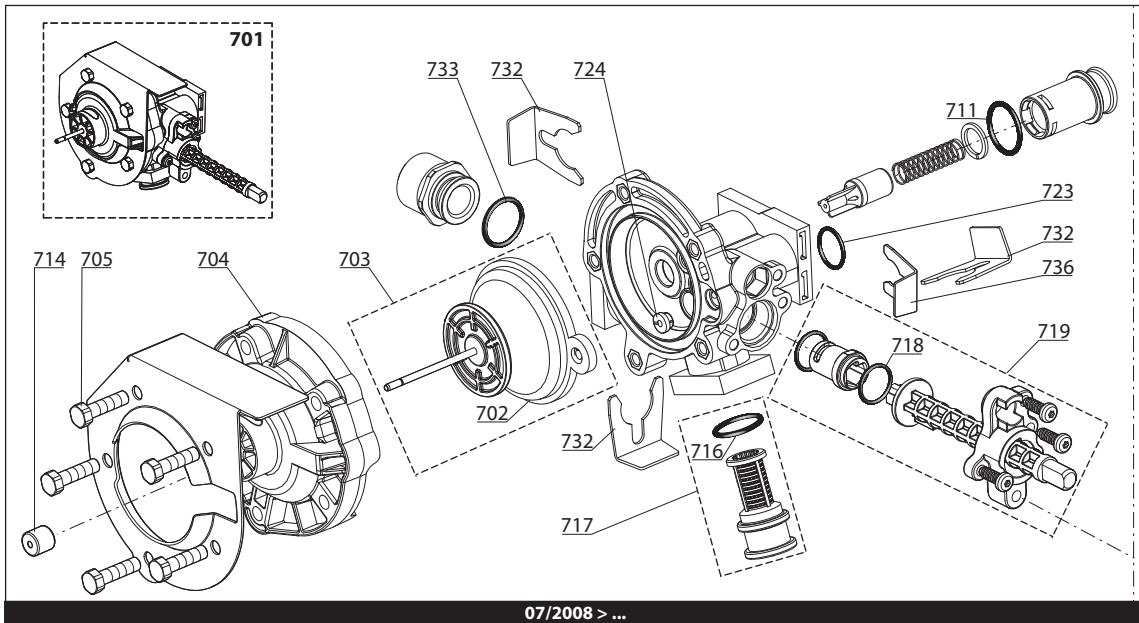
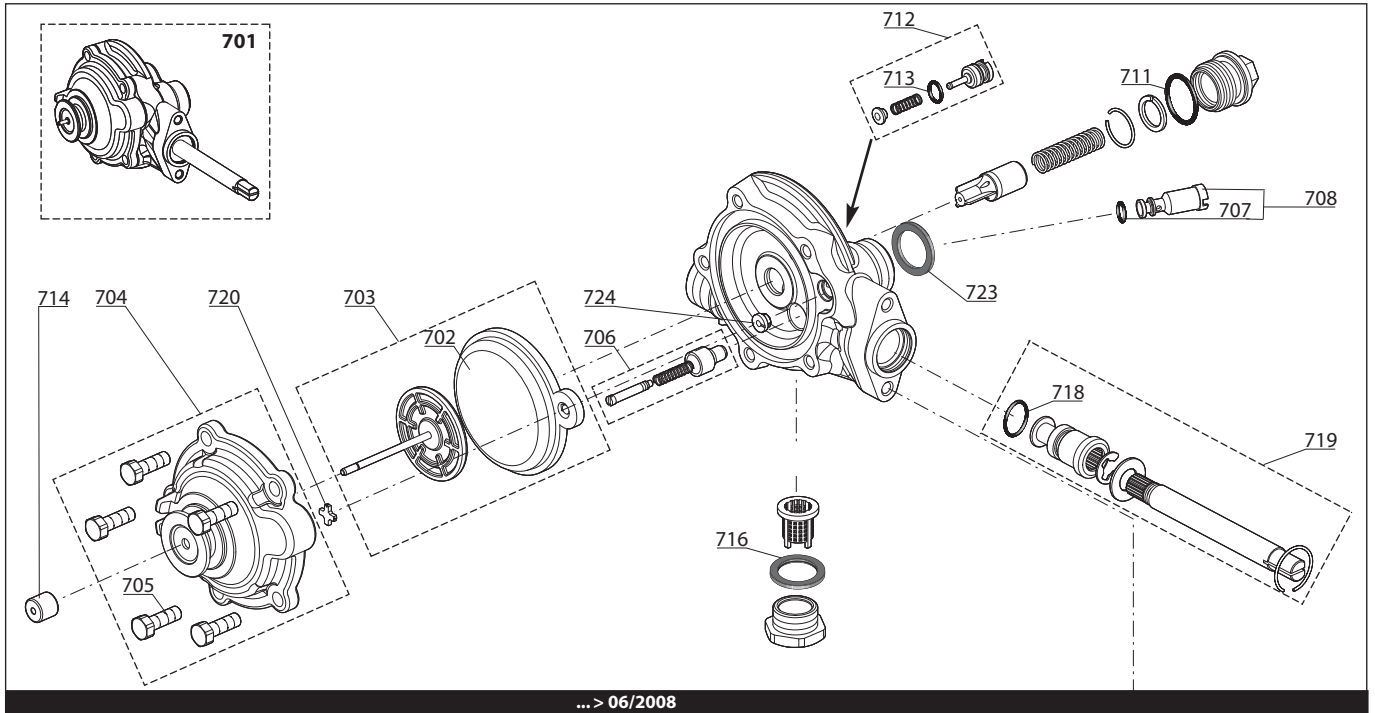


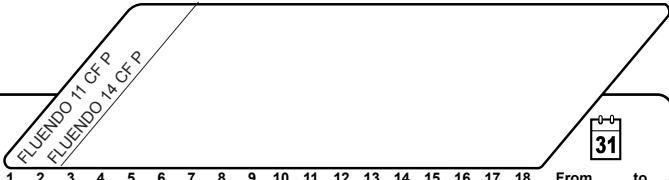
FLUENDO P

Instantaneous Gas Water Heaters



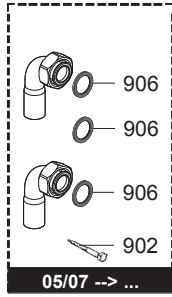
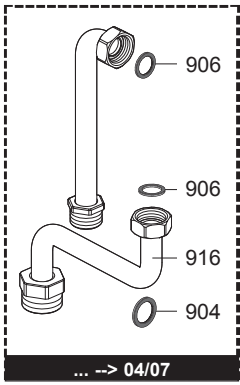
700





Description	Manf. Pt. N	Type	FLUENDO 11 CF P FLUENDO 14 CF P																		From	to
			1	2	3	4	5	6	7	8	9	10	11	12	13	14	15	16	17	18		
0700 WATER SECTION ASSY																						
0701 WATER SECTION	60001039		●																		07/08	
WATER SECTION	60001040			●																	07/08	
WATER SECTION	61313094		●																			06/08
WATER SECTION	61313095			●																		06/08
0702 DIAPHRAGM	61316184		●	●																		
0703 WATER SECTION REPAIR KIT	61400383		●	●																		
0704 COVER	61400386		●	●																		06/08
0705 SCREW H M 5-16	61316211		●	●																		06/08
SCREW M 5-19	60001041		●	●																	07/08	
0706 WATER THROTTLE ASSY	61400382		●	●																	11/05	06/08
0707 O-RING 3.4X1.8	61316255		●	●																		
0708 VENTURI	61400387		●	●																		06/08
0709 WATER SECTION GASKETS KIT	61400390		●	●																		
0711 O-RING 13.94X2.62	61316176		●	●																		06/08
O-RING 15.54X2.62	60001166		●	●																	07/08	
0712 BY-PASS VALVE KIT	61316253		●	●																		06/08
0713 O-RING 5.5X1.8	61316224		●	●																		
0714 OPERATING LEVER	61316988		●	●																		
0716 O-RING 13.94X2.62	61316176		●	●																		07/08
SHEET GASKET D: 21-16-1.5	61316207		●	●																		06/08
0717 PLUG KIT	60001159		●	●																		07/08
0718 O-RING 12X2	60001162		●	●																		07/08
O-RING 9.5X1.5	61316254		●	●																		06/08
0719 TEMPERATURE SELECTOR ASSY	60001160		●	●																		07/08
TEMPERATURE SELECTOR ASSY	61400388		●																			06/08
TEMPERATURE SELECTOR ASSY	61400389			●																		06/08
0720 VALVE	61316182		●	●																		
0723 O-RING 12.3X2.4	60024164-47		●	●																		07/08
WASHER D: 18.4-12.2-1.5	60061855-14		●	●																		06/08
0724 SLOW IGNITION DEVICE	61316206		●	●																		
0725 TAPPING SCREW CBLX D: 4.2-25	61010128		●	●																		
0726 SUPPORT BRACKET	61313507		●	●																		
0727 IGNITER	61313911		●	●																		
0728 FIXING BRACKET	61313912		●	●																		
0729 TAPPING SCREW CBLX D: 4.2-9.5	61010125		●	●																		
0730 SCREW CBLXS M 5-12	61301928		●	●																		07/08
SCREW HSX M 5-8	61302631		●	●																		06/08
0732 CLIP	60001163		●	●																		
0733 O-RING 13.94X2.62	61316176		●	●																		
0735 EARTH WIRE	60001171		●	●																		
0736 CLIP	60001170		●	●																		
0800 MIXING BATTERY																						
0801 MIXING BATTERY	60000030		●	●																		
0802 SHEET GASKET D: 14.8-10.3-1.5	60061854-11		●	●																		
0806 NUT 1/2» H=10	60020747-38		●	●																		
0807 COLD WATER CONNECTION	60037186		●	●																		
0808 WASHER D: 18.4-12.2-1.5	60061855-14		●	●																		
0810 KIT BEARING MIXING BATTERY	60001311		●	●																		

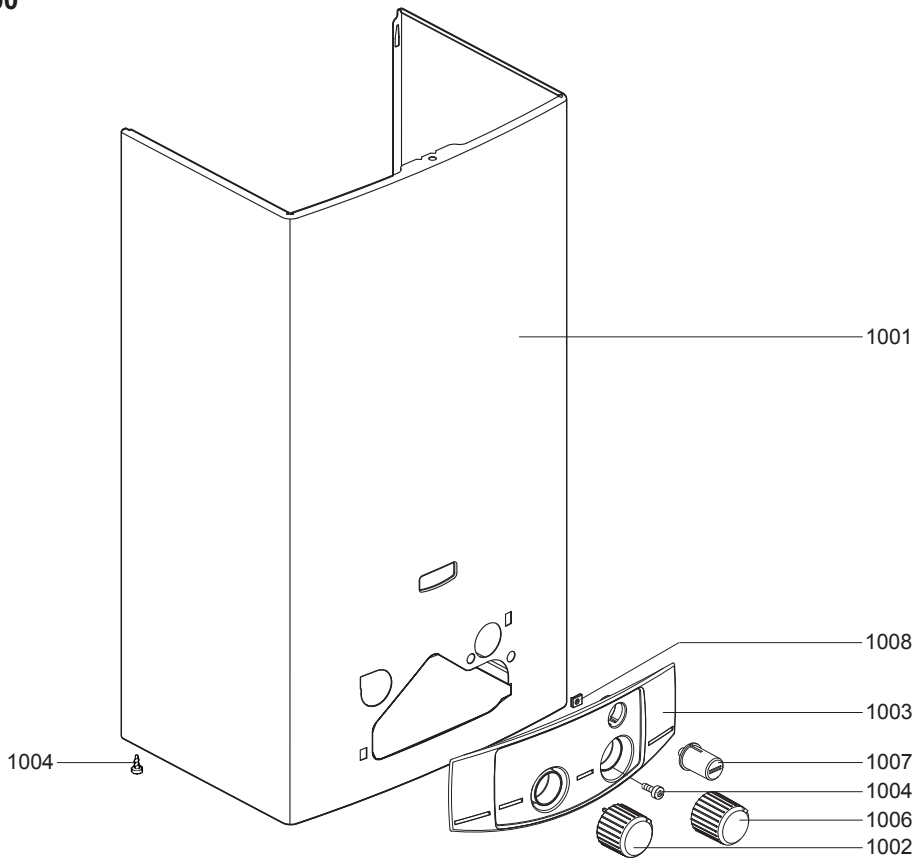
900



1000

FLUENDO P

Instantaneous Gas Water Heaters



FLUENDO 11 CF P
FLUENDO 14 CF P



☞	Description	Manf. Pt. N	Type	1	2	3	4	5	6	7	8	9	10	11	12	13	14	15	16	17	18	From	to
0900	JIG PLATE & PIPE FITTING																						
0902	WOOD SCREW	60025617-03		•	•																		
0904	SHEET GASKET D: 23.8-14.4-1.5	60061855-18		•	•																		
0906	WASHER D: 18.4-12.2-1.5	60061855-14		•	•																		
0916	GAS TUBE	60000048		•	•																		
1000	FRONT CASE																						
1001	FRONT CASE	61313208			•																		
	PRONT CASE	61313207		•																			
1002	GAS CONTROL KNOB	61313357		•	•																		
1003	FACIA	61313918		•	•																		
1004	TAPPING SCREW CBLX D: 4.2-9.5	61010125		•	•																		
1006	TEMPERATURE SELECTOR KNOB	61313782		•	•																		
1007	IGNITOR CONTROL KNOB	61313892		•	•																		
1008	CLIP	60074999		•	•																		

FLUENDO P

Instantaneous Gas Water Heaters

LIST OF THE ABBREVIATIONS

HW	: Hot water.
CW	: Cold water.
C	: Ceramic resistance (normal heating).
Ca	: Ceramic resistance (accelerated heating)
TP	: Immersion heater.
1F	: With fittings.
2F	: Without fittings.
3F	: With fittings and another outlet connection.
AMI	: With mixing valve.
SMI	: Without mixing valve.
PUISS	: Power of th appliance.
PN	: Appliance with normal pression.
LP	: Appliance with low pression.
PV	: Appliance with variable power.
PF	: Appliance with fixed power.

IDENTIFICATION PLATE

SERIAL NUMBER

10 Characters :	04 05 125 011	Sequential number
		Manufacturing day
		Year of manufacture
11 Characters :	1 95 065004 - 31	Technical number of the appliance
Month of manufacture : from 1 to 9 → Jan. to Sep., O → Oct., N → Nov., D → Dec.		Sequential number
		Year of manufacture
19 Characters :	08 05 0013199 900640031	Product reference
Year of manufacture		Sequential number
Month of manufacture		
20 Characters :	3675007 XX 2 07 070 00315	Sequential number
Product reference		Manufacturing day
Millenium of manufacture		Year of manufacture
21 Characters :	3675007 XX 07 070 0000315	Sequential number
Product reference		Manufacturing day
Year of manufacture		