

SPARE PARTS EXPLODED VIEW GAS-WALL BOILER ATM. BURNER

Model

MIRA C NOX

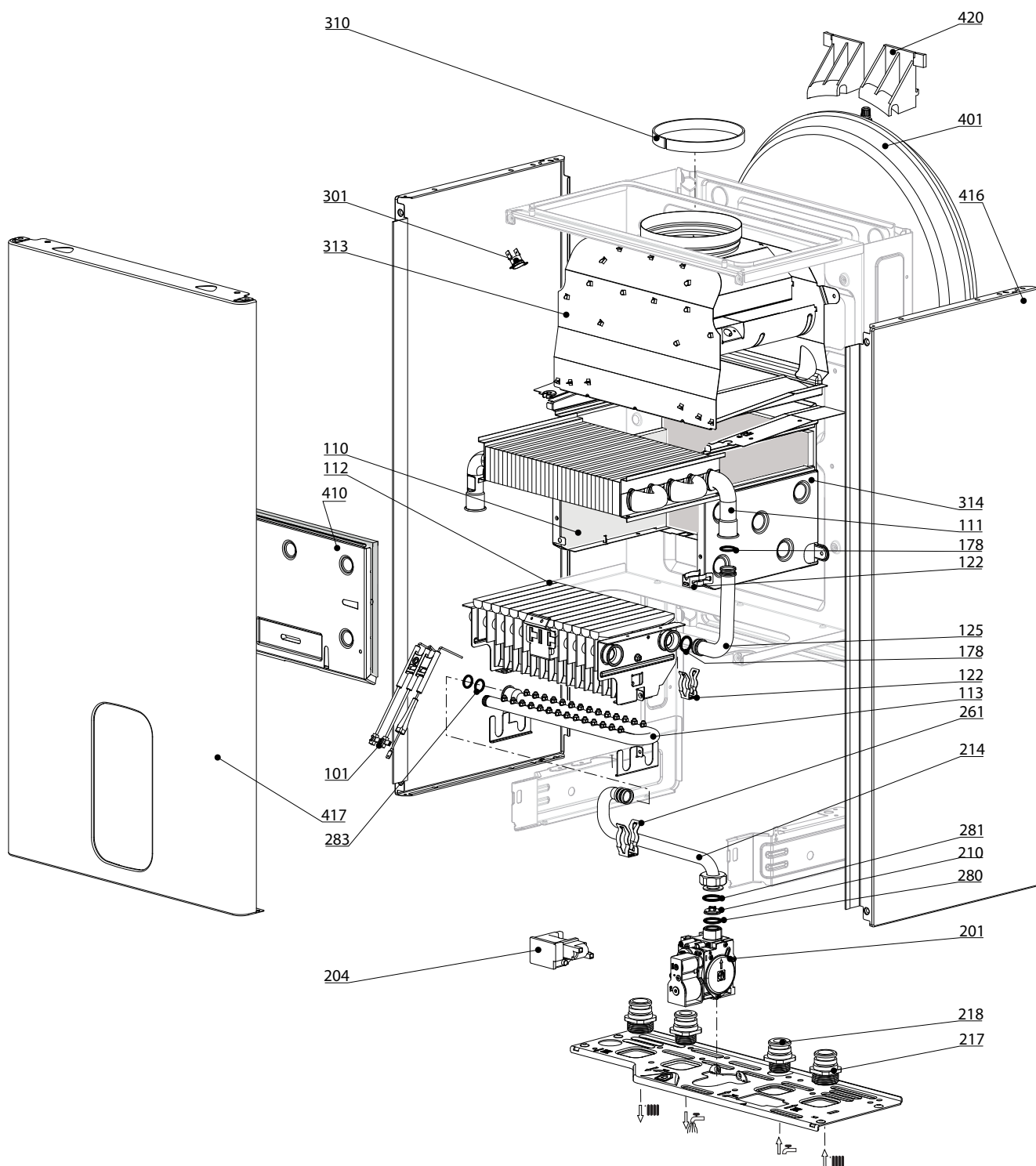
R8203523-04 - 18/01/2019

1	3310633	MIRA C NOX 25 CF FR	08-2018	-
2	3310632	MIRA C NOX 24 VMC FR	08-2018	-
Col	Reference	Model type	Begin	End

100
200
300
400

PIGMA ULTRA

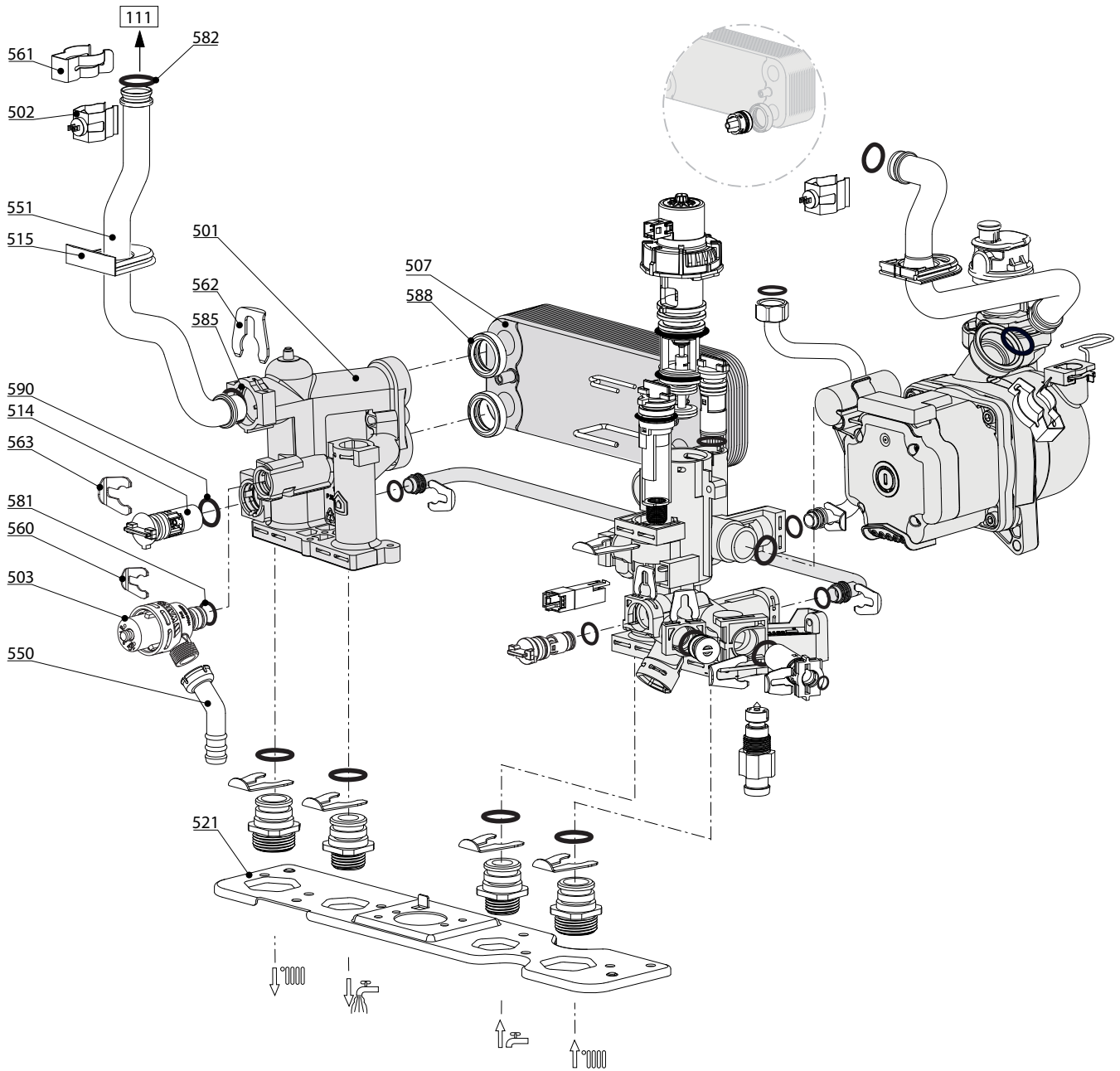
Gas-wall boiler atm. burner

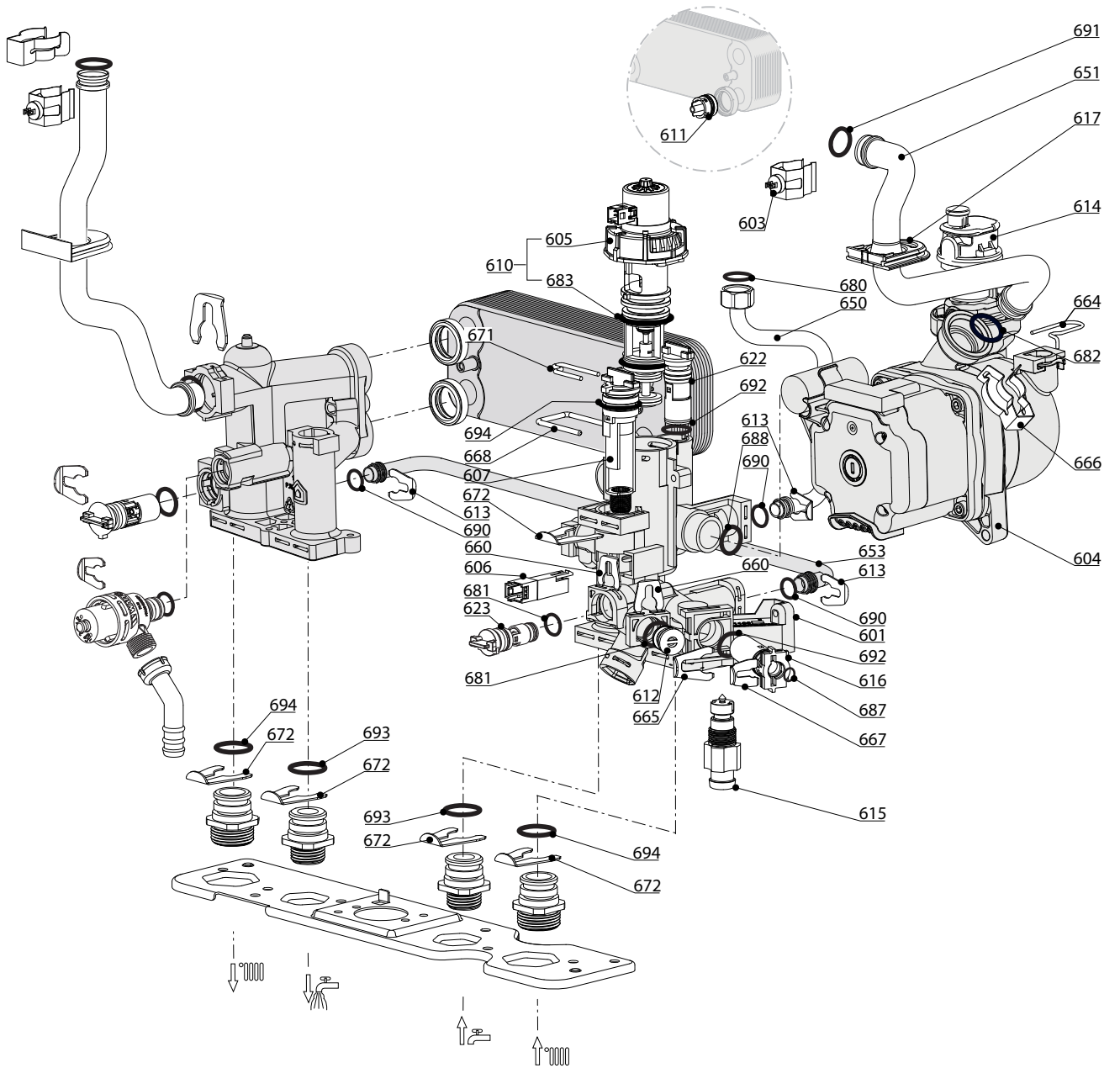


PIGMA ULTRA 23 CF
PIGMA ULTRA 30 CF

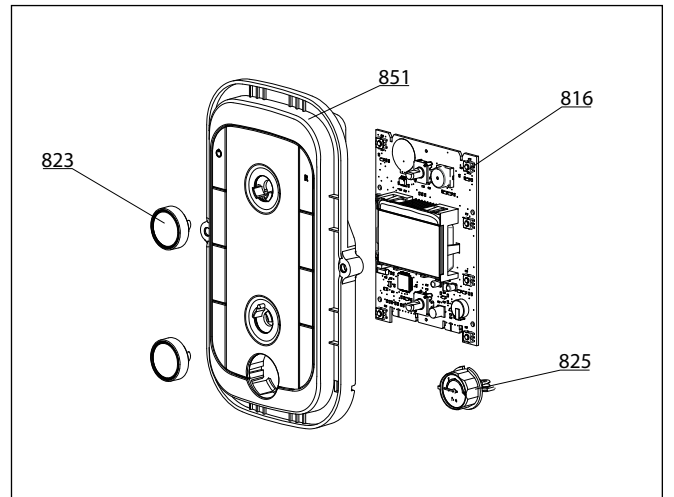
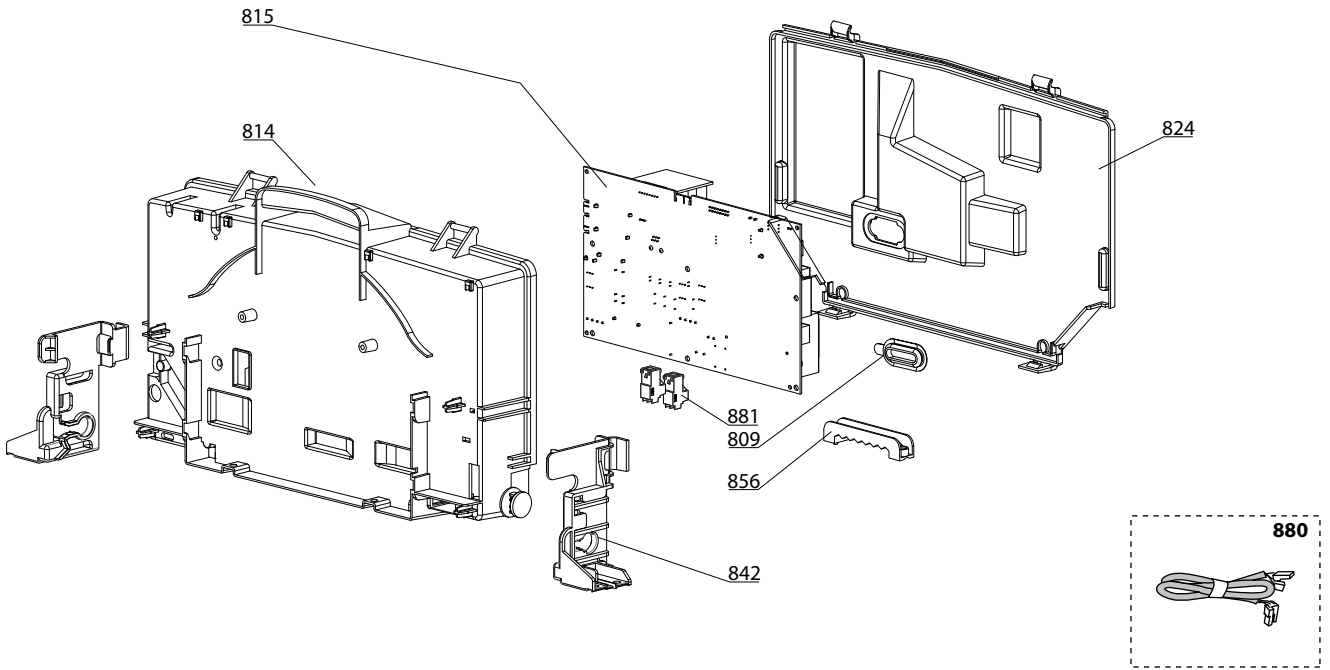
31

☉⇒	Description	Manf. Pt. N	Type	PIGMA ULTRA 23 CF / PIGMA ULTRA 30 CF																		From	to				
				1	2	3	4	5	6	7	8	9	10	11	12	13	14	15	16	17	18						
0100 BURNER ASSEMBLY																											
0101	ELECTRODE (IGNITION/IONIZATION)	65117626-01		●	●																						
0110	PANELS (KIT)	65117633		●	●																						
0111	HEAT EXCHANGER	65104247		●	●																						
0112	BURNER 14NP	65117623		●	●																						
0113	GAS MANIFOLD 14 INJ. D:0:86	65117624	G20	●	●																						
0122	CLIP	65116517		●	●																						
0125	PIPE	65117625		●	●																						
0178	O-RING 17.86X2.62	61308091		●	●																						
0200 GAS SECTION																											
0201	GAS VALVE SIT 845 SIGMA	65117618		●	●																						
0204	SPARK GENERATOR	60001888		●	●																						
0210	RESTRICTOR D: 5.9	65117655		●	●																						
0214	GAS TUBE	65117619		●	●																						
0217	UNION (3/4»)	65114929		●	●																						
0218	UNION (1/2»)	65114930		●	●																						
0261	CLIP	65105109		●	●																						
0280	O-RING 14X2	60000903		●	●																						
0281	SHEET GASKET D: 24-18.2-1.5	60022835-01		●	●																						
0283	O-RING 21.89X2.62	65117642		●	●																						
0300 FAN ASSEMBLY																											
0301	OVERHEAT THERMOSTAT 49C	61310767			●																						
	THERMOSTAT 75-65°C	999539		●																							
0310	FLUE SPIGOT D: 125->130	65111183		●	●																						
0313	COMBUSTION CHAMBER 24 CF	65117627		●																							
	COMBUSTION CHAMBER 24 VMC	65117628			●																						
0314	COMBUSTION CHAMBER	65117631		●	●																						
0400 SEALED CASE																											
0401	EXPANSION VESSEL 8L	65104261		●	●																						
0410	PANEL (COMBUSTION CHAMBER)	65117632		●	●																						
0416	SIDE PANELS LEFT + RIGHT - WHITE	65115804		●	●																						
0417	CASE PANEL (FRONT)	60002834-01		●	●																						
0420	EXPANSION VESSEL SUPPORT	65104696		●	●																						

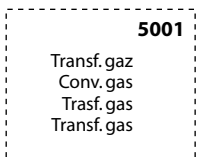




800



5000



PIGMA ULTRA 23 CF
PIGMA ULTRA 30 CF

31

Description	Manf. Pt. N	Type	1 2 3 4 5 6 7 8 9 10 11 12 13 14 15 16 17 18 From to																	
			1	2	3	4	5	6	7	8	9	10	11	12	13	14	15	16	17	18
0800 ELECTRICAL BOX																				
0809 GROMMET (REGULATION ACCESS)	998382		●	●																
0814 CONTROL PANEL COVER (FRONT)	65115784		●	●																
0815 P.C.B. (MAIN)	65115783-01		●	●																
0816 P.C.B. (DISPLAY)	60002839		●	●																
0823 WHITE KNOB	60002840		●	●																
0824 CONTROL PANEL COVER (REAR)	65115785		●	●																
0825 PRESSURE GAUGE	60002838		●	●																
0842 SIDE COVER SUPPORT	65115811		●	●																
0851 FRONT CONTROL PANEL COMPLETE	65117699		●	●																
0856 CABLE CLAMP	65103377		●	●																
0880 3-WAY VALVE CABLE	65117622		●	●																
CABLE (IONIZATION ELECTRODE)	60001883		●	●																
DISPLAY WIRING - 5 WIRES BLUES	60000746		●	●																
EARTH WIRE	65104286		●	●																
FEEDER 240V	60001619		●	●																
NTC - PRES SWITCH CABLE	65115789		●																	
NTC - PRES SWITCH CABLE	65117656			●																
PUMP CABLE 1V PANA.	65115788	PANA.	●	●																
0881 CONNECTOR 2P	65111933		●	●																
CONNECTOR 3P (x5)	65111934-01		●	●																
5000 ACCESSORIES																				
5001 BURNER JET FULL KIT G20	65118068		●	●																
BURNER JET FULL KIT G31	65118069		●																	
KIT SHUNT	65118073		●																	

LIST OF THE ABBREVIATIONS

HW	: Hot water.
CW	: Cold water.
C	: Ceramic resistance (normal heating).
Ca	: Ceramic resistance (accelerated heating)
TP	: Immersion heater.
1F	: With fittings.
2F	: Without fittings.
3F	: With fittings and another outlet connection.
AMI	: With mixing valve.
SMI	: Without mixing valve.
PUISS	: Power of th appliance.
PN	: Appliance with normal pression.
LP	: Appliance with low pression.
PV	: Appliance with variable power.
PF	: Appliance with fixed power.

IDENTIFICATION PLATE

SERIAL NUMBER

10 Characters :	04 05 125 011		
		Sequential number	
		Manufacturing day	
		Year of manufacture	
11 Characters :	1 95 065004 - 31		
Month of manufacture :		Technical number of the appliance	
from 1 to 9 → Jan. to Sep.,		Sequential number	
O → Oct., N → Nov.,		Year of manufacture	
D → Dec.			
19 Characters :	08 05 0013199 900640031		
Year of manufacture		Product reference	
Month of manufacture		Sequential number	
20 Characters :	3675007 XX 2 07 070 00315		
Product reference		Sequential number	
Millenium of manufacture		Manufacturing day	
		Year of manufacture	
21 Characters :	3675007 XX 07 070 0000315		
Product reference		Sequential number	
Year of manufacture		Manufacturing day	