

SPARE PARTS EXPLODED VIEW GAS-WALL BOILER ATM. BURNER

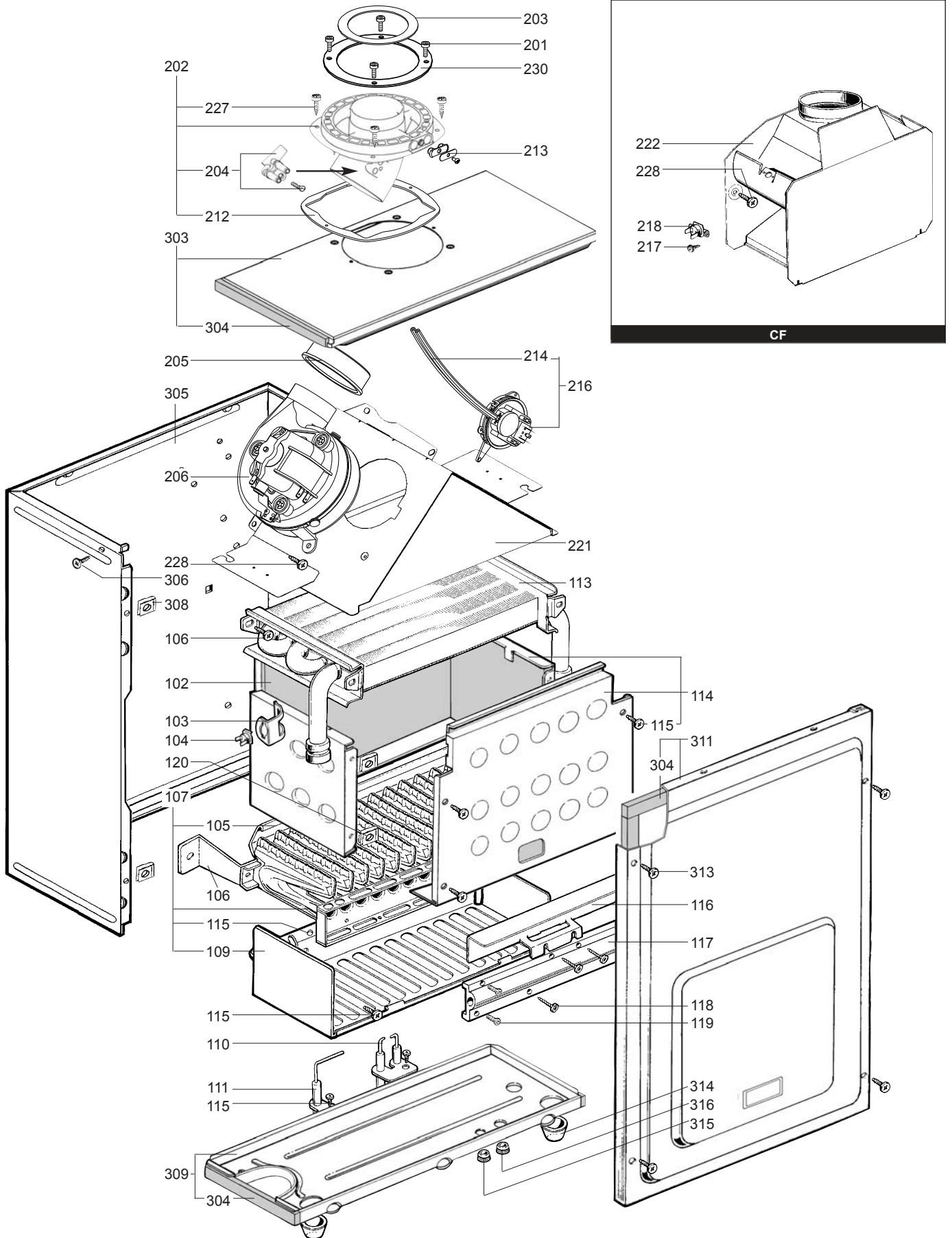
Model

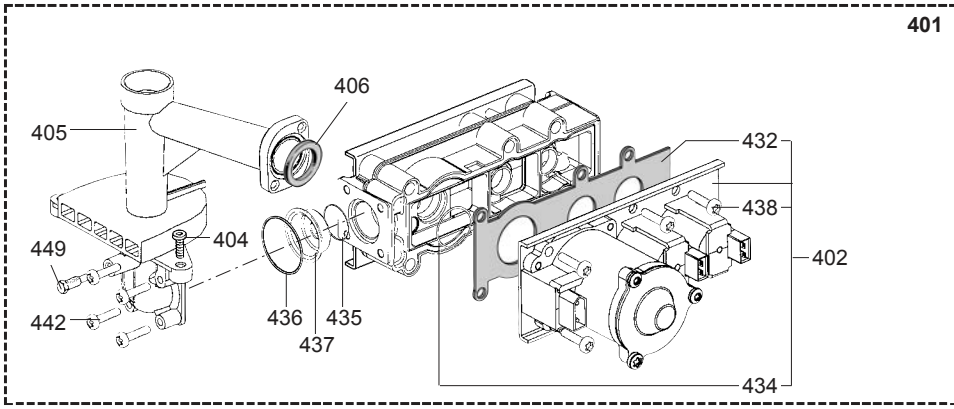
ELEXIA COMFORT

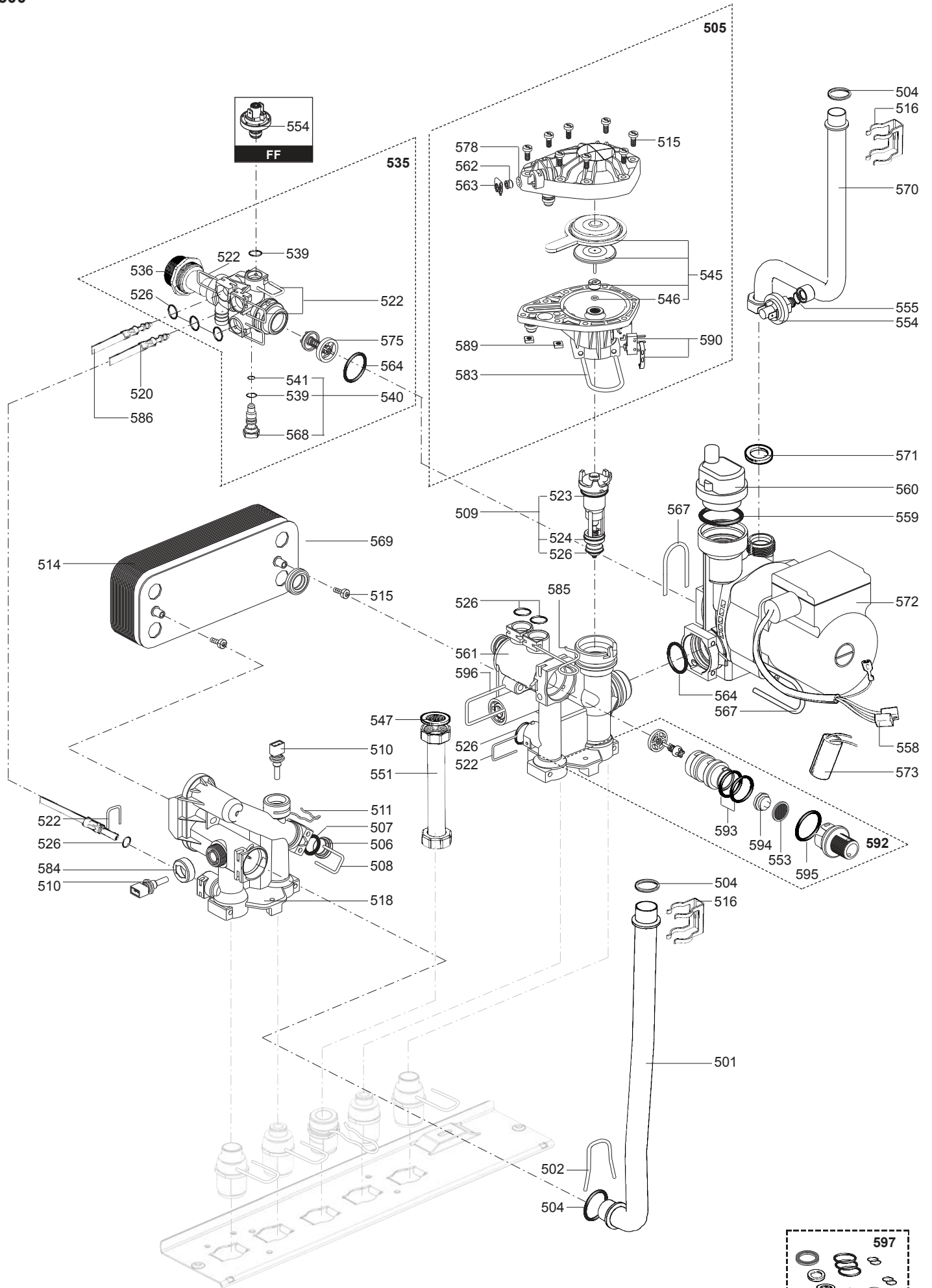
R8202555-06 - 16/01/2014

1	205406774031	ELEXIA COMFORT 24 CF N EU	10-2000	12-2007
1	205406774021	ELEXIA COMFORT 24 CF P EU	05-2001	01-2008
2	205406774037	ELEXIA COMFORT 24 FF N EU	10-2000	01-2008
2	205406774027	ELEXIA COMFORT 24 FF P EU	06-2001	12-2007

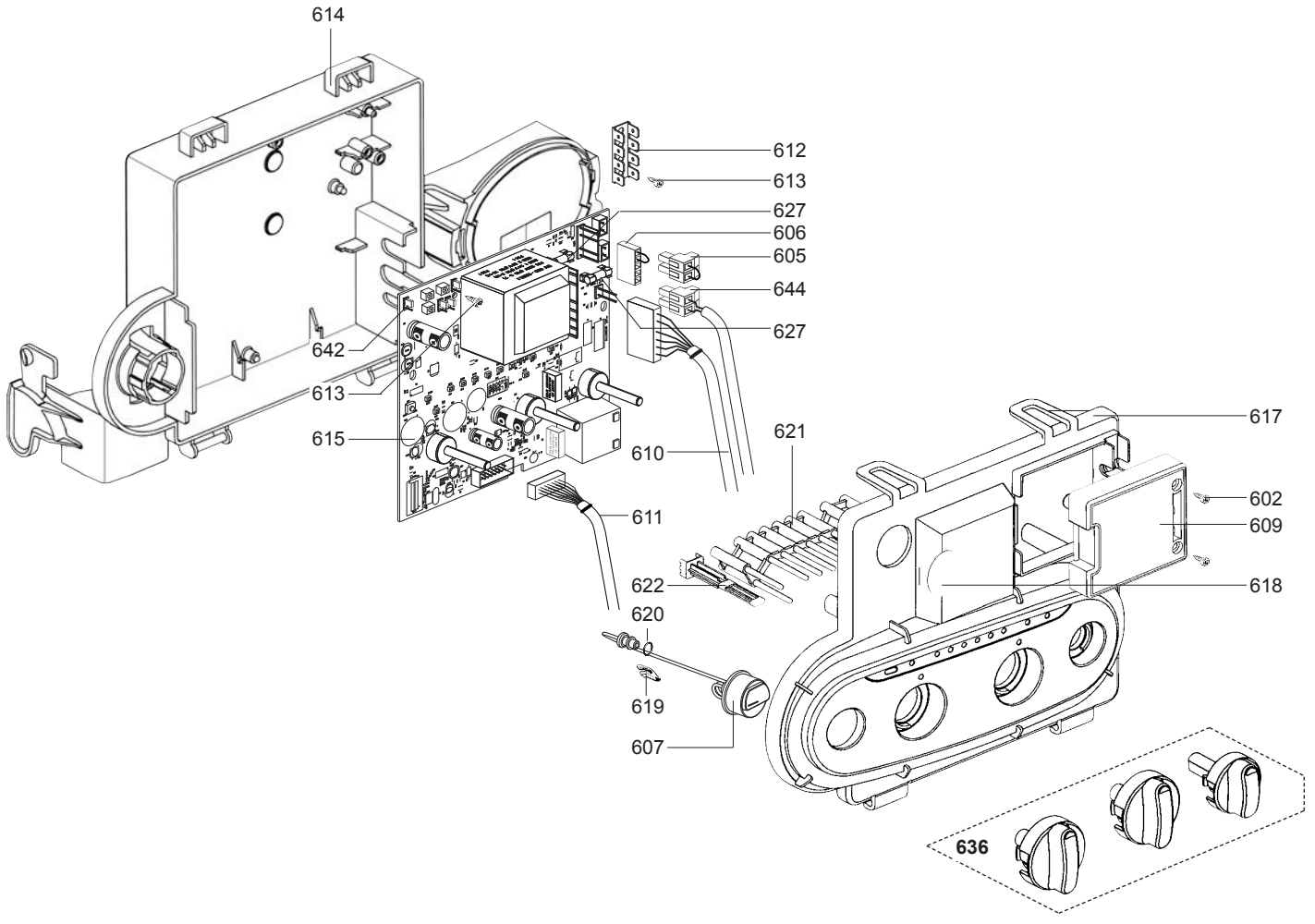
Col	Reference	Model type	Begin	End
-----	-----------	------------	-------	-----

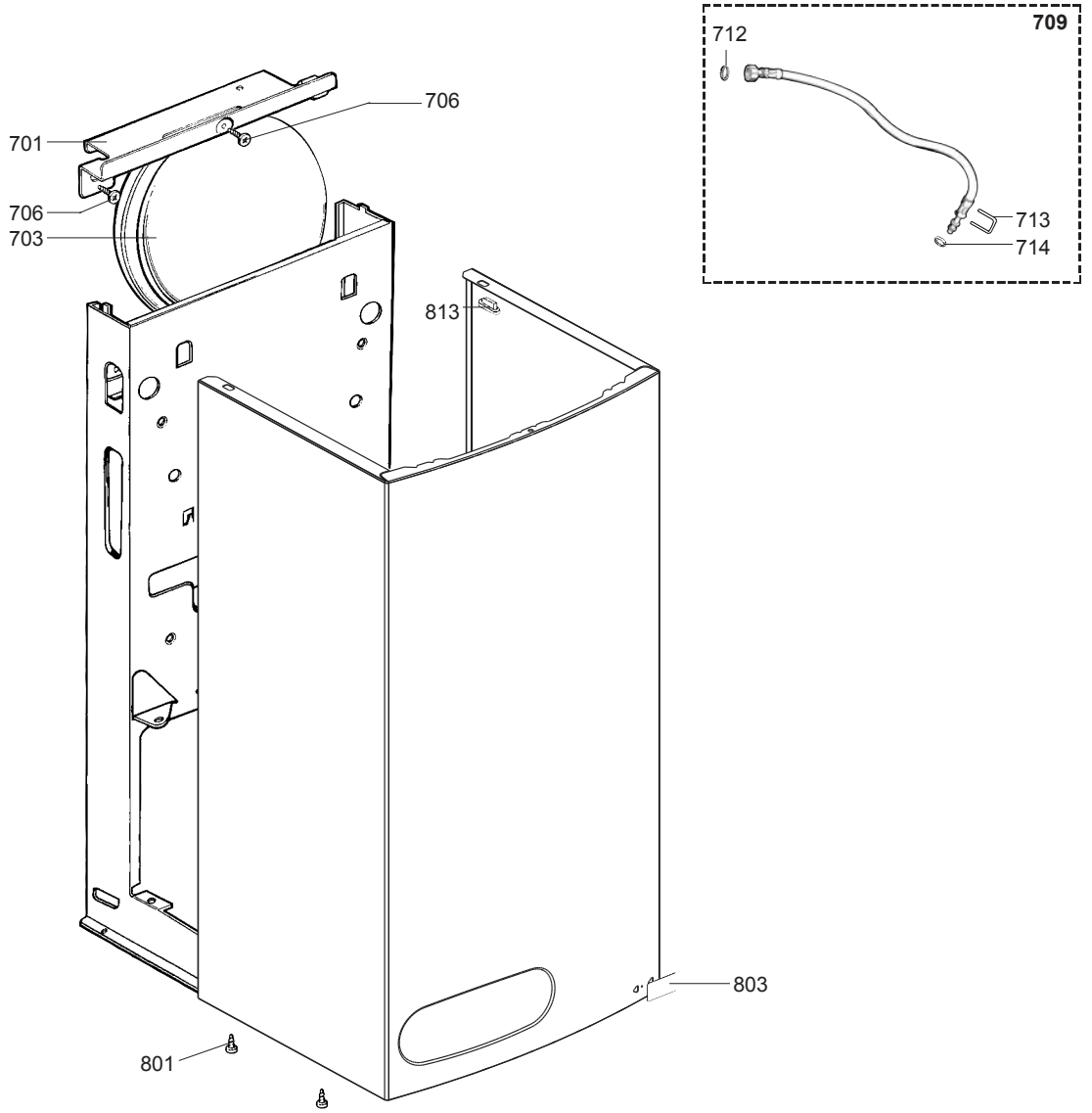


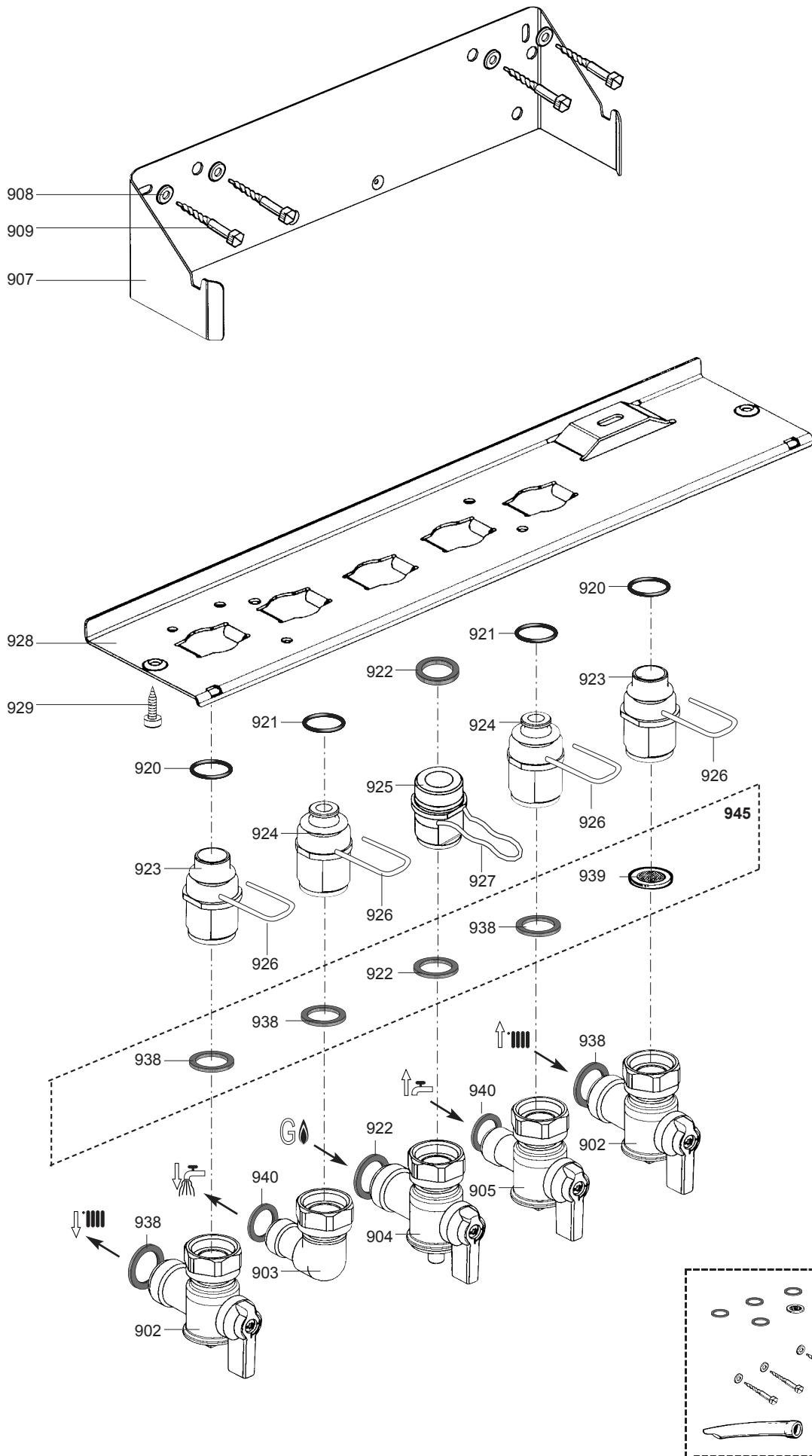




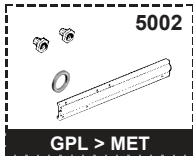
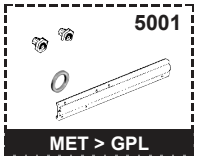
R8206820



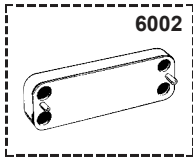
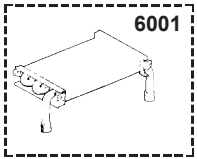




5000



6000



LIST OF THE ABBREVIATIONS

HW	: Hot water.
CW	: Cold water.
C	: Ceramic resistance (normal heating).
Ca	: Ceramic resistance (accelerated heating)
TP	: Immersion heater.
1F	: With fittings.
2F	: Without fittings.
3F	: With fittings and another outlet connection.
AMI	: With mixing valve.
SMI	: Without mixing valve.
PUISS	: Power of th appliance.
PN	: Appliance with normal pression.
LP	: Appliance with low pression.
PV	: Appliance with variable power.
PF	: Appliance with fixed power.

IDENTIFICATION PLATE

SERIAL NUMBER

10 Characters :	04 05 125 011	Sequential number
		Manufacturing day
		Year of manufacture
11 Characters :	1 95 065004 - 31	Technical number of the appliance
Month of manufacture :		Sequential number
from 1 to 9 → Jan. to Sep.,		Year of manufacture
O → Oct., N → Nov.,		
D → Dec.		
19 Characters :	08 05 0013199 900640031	Product reference
Year of manufacture		Sequential number
Month of manufacture		
20 Characters :	3675007 XX 2 07 070 00315	Sequential number
Product reference		Manufacturing day
Millenium of manufacture		Year of manufacture
21 Characters :	3675007 XX 07 070 0000315	Sequential number
Product reference		Manufacturing day
Year of manufacture		