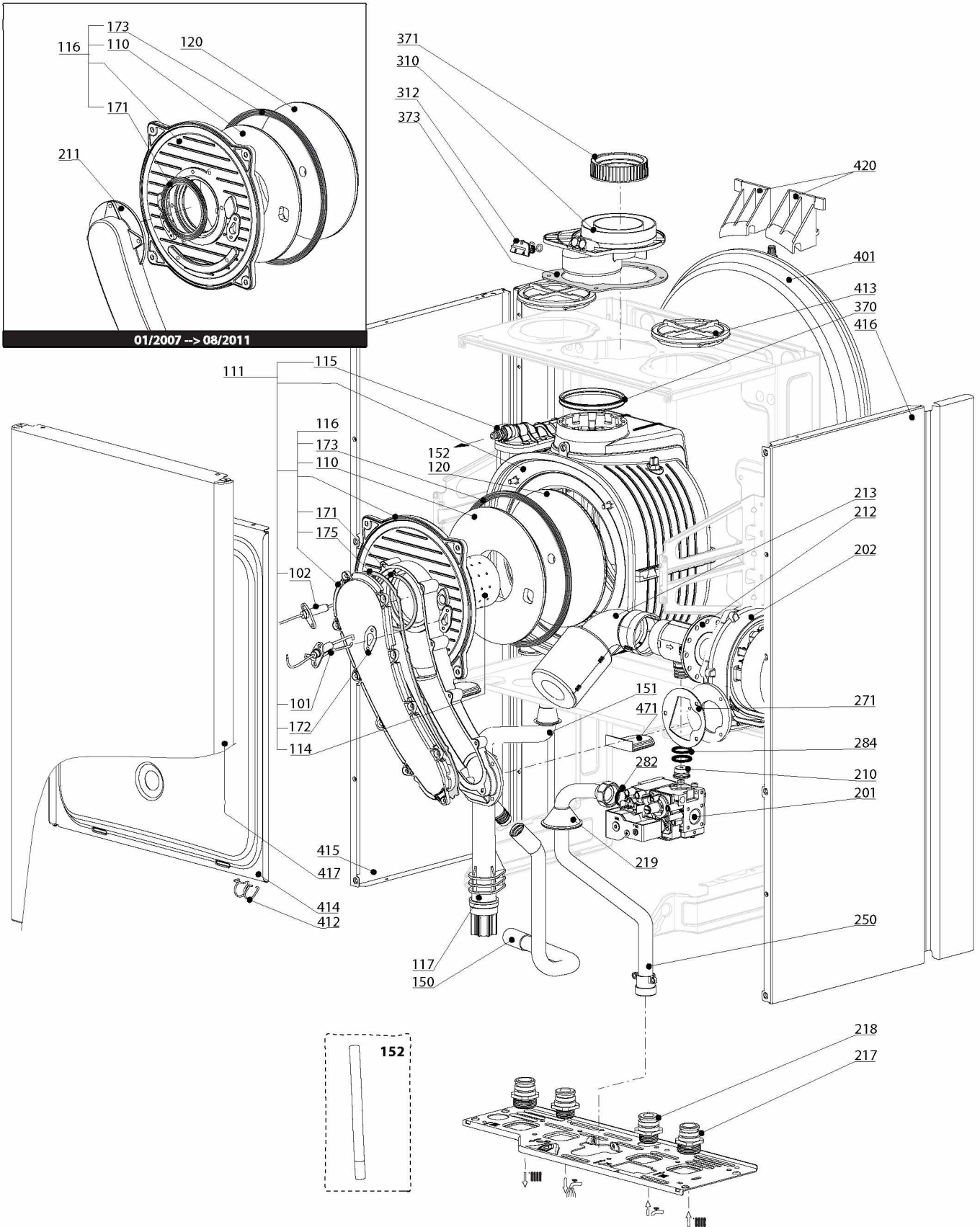


100
200
300
400

MIRA C GREEN

Gas-wall condensing boilers



SPARE PARTS EXPLODED VIEW GAS-WALL CONDENSING BOILERS

Model

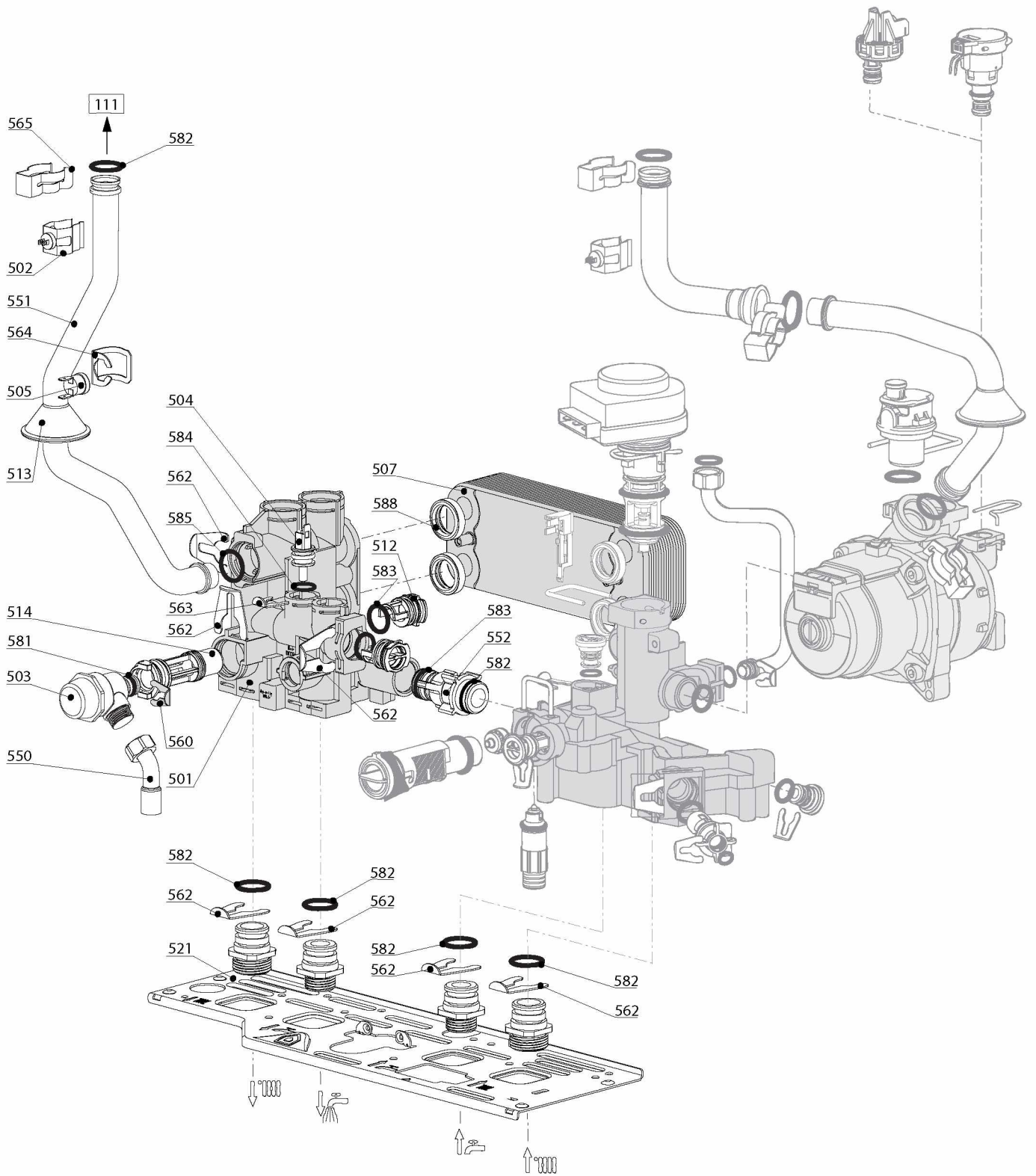
MIRA C GREEN

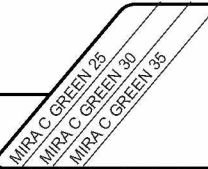


R8203186-07 - 18/06/2020

EN	FR	IT	ES	DE	NL
----	----	-----------	----	----	----

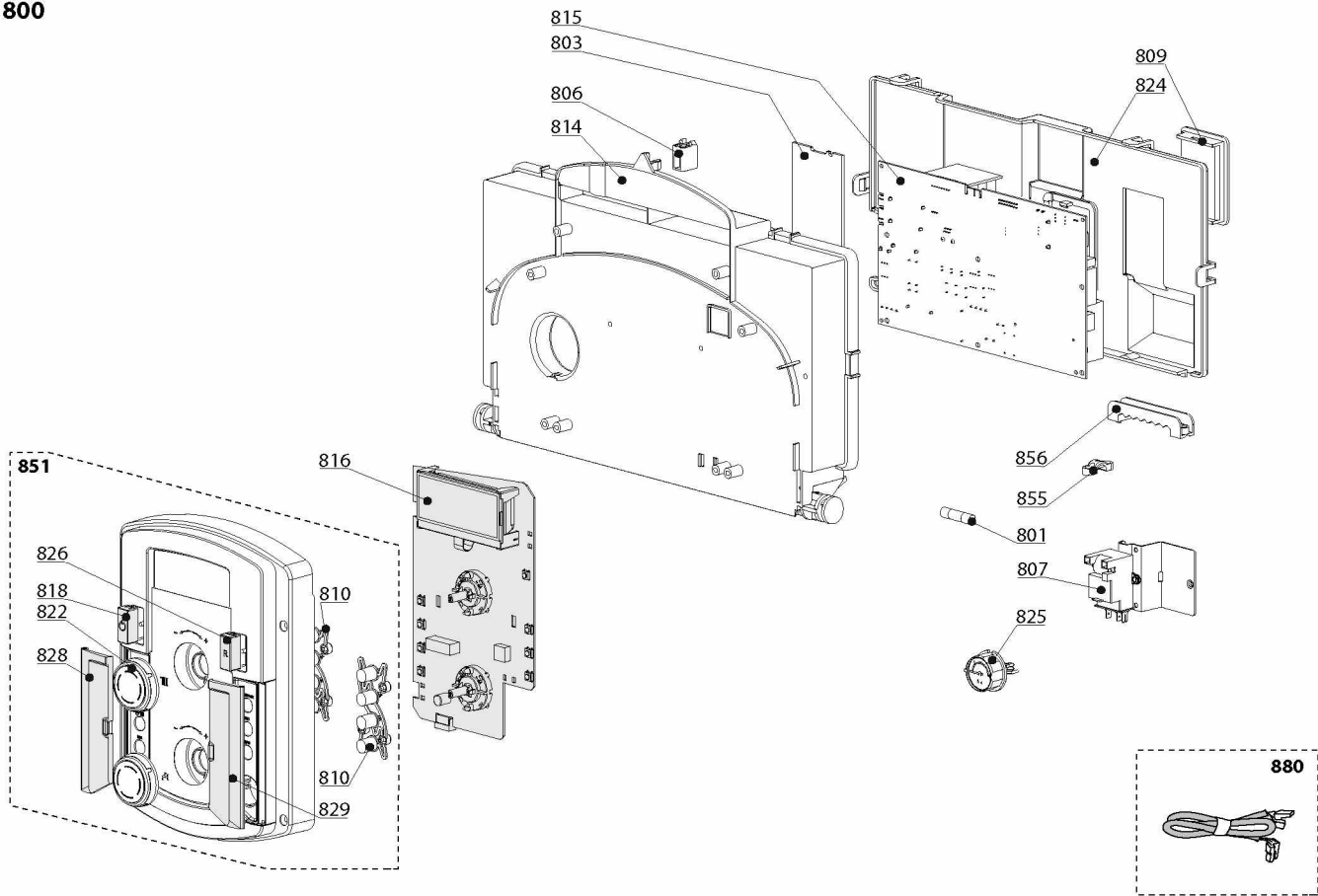
1	3650289	MIRA C GREEN 25 FF N FR	03-2008	12-2009
1	3650339	MIRA C GREEN 25FF P	10-2008	12-2009
1	3310083	MIRA C GREEN 25 FF N FR	02-2010	12-2011
1	3310121	MIRA C GREEN 25FF P	04-2010	11-2010
1	3310151	MIRA C GREEN 25 FF FR + K.E.	02-2010	12-2011
2	3650288	MIRA C GREEN 30 FF N FR	03-2008	12-2009
2	3310104	MIRA C GREEN 30 FF N FR	02-2010	12-2011
2	3310153	MIRA C GREEN 30 FF FR + K.E.	02-2010	12-2011
3	3650287	MIRA C GREEN 35 FF N FR	03-2008	12-2009
3	3310112	MIRA C GREEN 35 FF N FR	12-2009	12-2011
3	3310154	MIRA C GREEN 35 FF FR + K.E.	02-2010	12-2011

Col	Reference	Model type	Begin	End
-----	-----------	------------	-------	-----

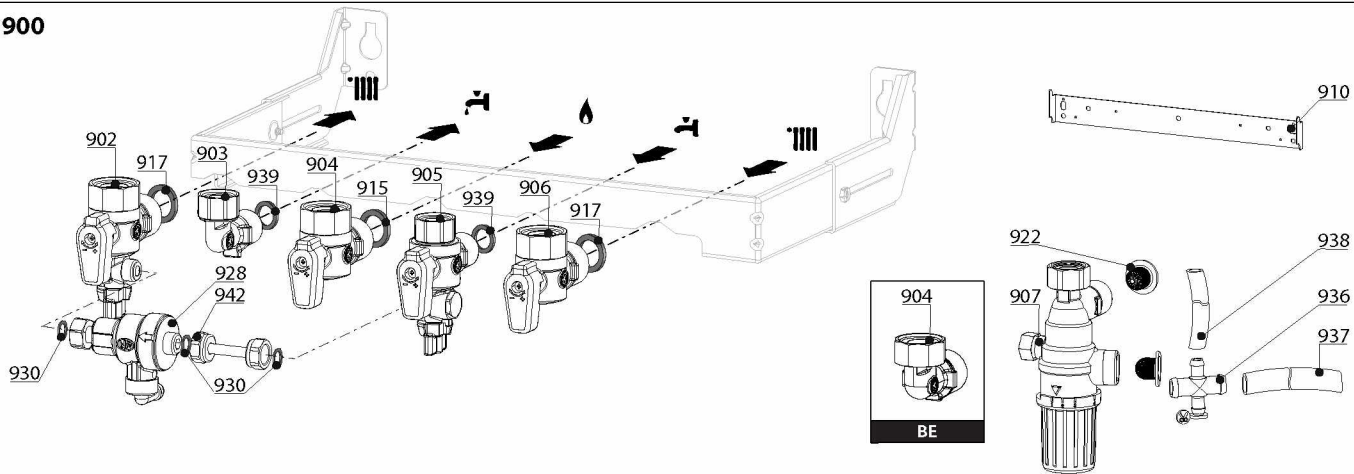


☉	Description	Manf. Pt. N	Type	  																		From	to
				1	2	3	4	5	6	7	8	9	10	11	12	13	14	15	16	17	18		
0600	RETURN GROUP																						
0601	RETURN GROUP	60000874		●	●	●																	
0602	LOW PRESSURE SWITCH	65105090		●	●	●																	
0603	TEMPERATURE PROBE + CLIP	990686-01		●	●	●																	
0604	PUMP 5M 2V WILO	65104319	WILO	●																			
	PUMP 6M 2V WILO	60000591	WILO		●	●																	
0605	MOTOR (3-WAY VALVE)	61302483-01		●	●	●																	
0606	SENSOR (REED)	65104323		●	●	●																	
0607	FLOW METER	60000870		●	●	●																	
0610	MOTOR+SPRING 3 WAY VALVE KIT	60001583-01		●	●	●																	
0612	PLUG	65104377		●	●	●																	
0613	RIDUCTORS (KIT)	65104318		●	●	●																	
0614	AUTO AIR VENT - WILO	65104703	WILO	●	●	●																	
0615	KIT DRAIN SCREW	60001385		●	●	●																	
0616	WATER FILTER	60001372		●	●	●																	
0617	GROMMET	61010109		●	●	●																	
0619	PLUG	65104377		●	●	●																	
0650	PIPE (EXPANSION VESSEL)	60000718		●	●	●																	
0651	PIPE (C.H. RETURN)	60000857		●	●	●																	
0660	CLIP D10	65104260		●	●	●																	
0661	CLIP	65104332		●	●	●																	
0662	CLIP	61307589		●	●	●																	
0663	U-CLIP	65104704		●	●	●																	
0664	CLIP	65104322		●	●	●																	
0665	CLIP	65104331		●	●	●																	
0666	CLIP	60000309		●	●	●																	
0667	CLIP D:6	65100680		●	●	●																	
0668	CLIP	65104316		●	●	●																	
0680	GASKET 3/8 in	573521		●	●	●																	
0681	O-RING 9.19X2.62	65104313		●	●	●																	
0682	O-RING 17.04X3.53	65104262		●	●	●																	
0683	O-RING 23.47X2.62	65104315		●	●	●																	
0684	O-RING 3X35 EPDM 75 SH	65104705		●	●	●																	
0686	O-RING 15.54X2.62	65104325		●	●	●																	
0687	O-RING 5.7X1.9	61009834-10		●	●	●																	
0688	O-RING 21.89X2.62	65104320		●	●	●																	
0689	O-RING 17.17X1.78	65104303		●	●	●																	
0690	O-RING 8.9X2.7	61009834-14		●	●	●																	
0691	O-RING 17.86X2.62	61308091		●	●	●																	

800



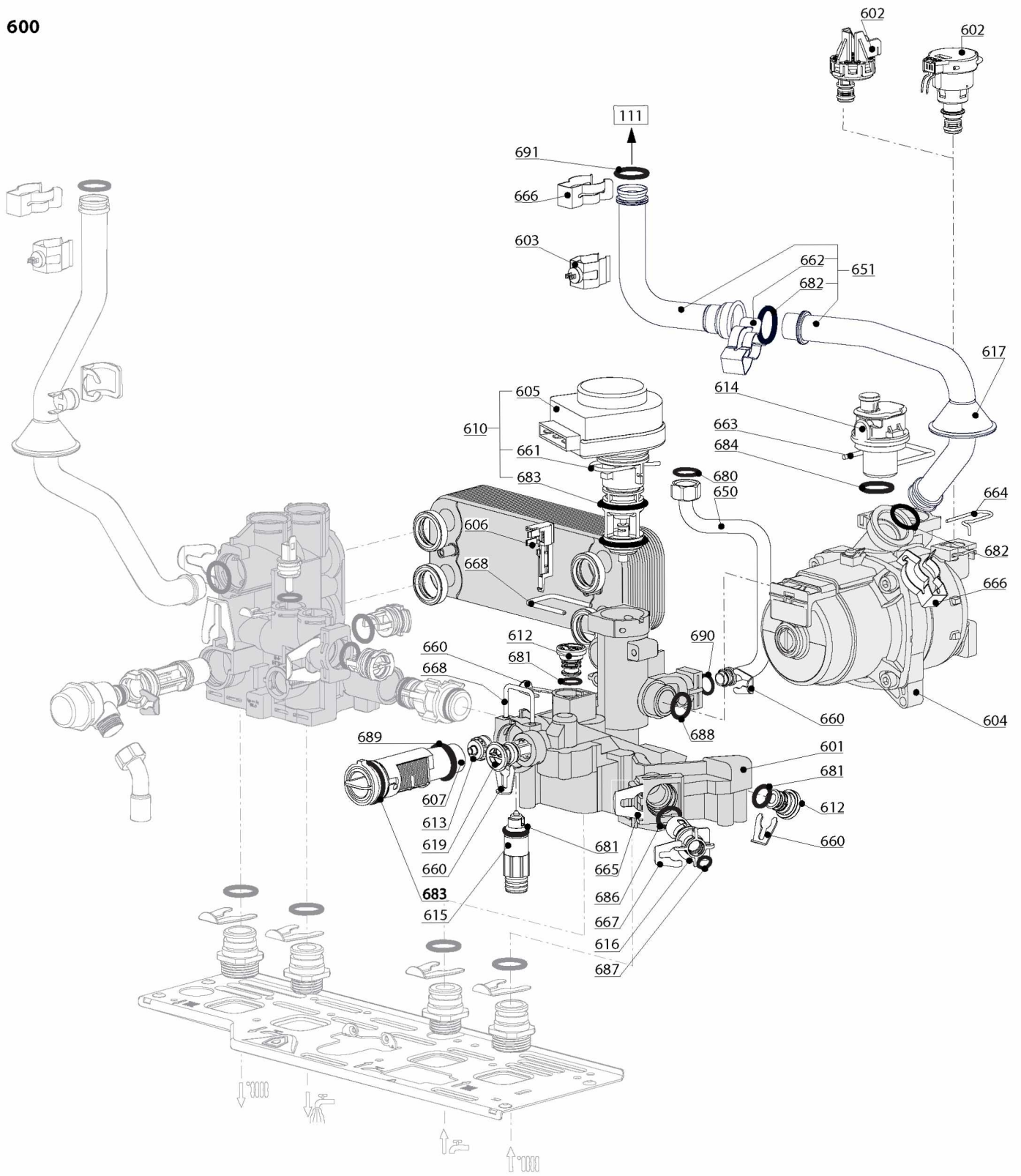
900



5000

- 5001**
- Gas conv. LPG G30/G31
 - Transf. gaz GPL G30/G31
 - Trasf. gas GPL G30/G31
 - Transf. gas GLP G30/G31
 - Flussiggas Umstellset
 - F-gas G30/G31
 - Ombouset
 - LPG G30/G31

- 5020**
- Accessories
 - Options
 - Opzioni
 - Accessorio
 - Zubehör
 - Opties



Description		Manf. Pt N	Type	1	2	3	4	5	6	7	8	9	10	11	12	13	14	15	16	17	18	From	to
0800 ELECTRICAL BOX																							
0801	FUSE 250V 2A	61003456		•	•	•																	
0803	P.C.B (CLIP-IN) E-BUS	65109108		•	•	•																	
0806	PUSH	65104228		•	•	•																	
0807	IGNITER	61002105-20		•	•	•																	
0809	INSPECTION COVER	65104294		•	•	•																	
0810	PUSH BUTTON	60000978		•	•	•																	
0814	CONTROL PANEL COVER (FRONT)	65104300		•	•	•																	
0815	P.C.B. (MAIN)	65109138-03		•	•	•																	
0816	P.C.B. (DISPLAY)	60000760-03		•	•	•																	
0818	PUSH BUTTON ON/OFF	60000809		•	•	•																	
0822	KNOB	60000762		•	•	•																	
0824	CONTROL PANEL COVER (REAR)	65104293		•	•	•																	
0825	PRESSURE GAUGE	60000725		•	•	•																	
0826	PUSH BUTTON (RESET)	60000806		•	•	•																	
0828	HAND DOOR (L.H.SIDE)	60000761		•	•	•																	
0829	HAND DOOR (R.H.SIDE)	60000759		•	•	•																	
0851	FRONT CONTROL PANEL COMPLETE	60000805		•	•	•																	
0855	CABLE CLAMP	571562		•	•	•																	
0856	CABLE CLAMP	65103377		•	•	•																	
0880	3-WAY VALVE CABLE	65104523	/ CN09	•	•	•																	
	CABLE (IGNITION ELECTRODE)	60000527		•	•	•																	
	CABLE (IONIZATION ELECTRODE)	60000567	/ CN05	•	•	•																	
	CLIP-IN E-BUS WIRING	65105169	/ CN11	•	•	•																	
	DISPLAY WIRING - 5 WIRES BLUES	60000746	/ CN02	•	•	•																	
	EARTH WIRE	65104286		•	•	•																	
	FEEDER 240V	60000542	/ CN20	•	•	•																	
	FLOW METER CABLE	60000813	/ CN14	•	•	•																	
	IGNITOR - GAS VALVE CABLE	60000543	/ CN03	•	•	•																	
	NTC - OVERHEAT - PRESSURE SENSOR CABLE	60001135	/ CN04	•	•	•																	
	NTC PROBE - NTC EXCHANGER - FAN	60001234	/ CN22	•	•	•																	
	PUMP 2V CABLE 5M WILO	65104520	WILO	•																			
	PUMP 2V CABLE 6M WILO	65109585	WILO		•	•																	
	ROOM THERMOSTAT CABLE	60000988	/ CN25	•	•	•																	
0900 JIG PLATE & PIPE FITTING																							
0902	WATER FLOW SERVICE TAP	60000886		•	•	•																	
0903	HOT WATER CONNECTION	60000891		•	•	•																	
0904	GAS SERVICE TAP	60000898		•	•	•																	
	UNION	65105631		•	•	•																	
0905	COLD WATER TAP	60000894		•	•	•																	
0906	WATER FLOW & RETURN SERVI. TAP	60000885		•	•	•																	
0907	THERMOSTATIC MIXING VALVE	60001081		•	•	•																	
0910	WALL HOOK	60000625		•	•	•																	
0915	GAS SERVICE TAP GASKET	65119354		•	•	•																	
0917	SHEET GASKET D: 24-17-1.5	60061855-19		•	•	•																	
0922	FILTER	60001087		•	•	•																	
0928	DISCONNECTOR	60000881		•	•	•																	
0930	SHEET GASKET D: 11-5-1.5	60061853-07		•	•	•																	
0936	UNION	60000879		•	•	•																	
0937	TUBE PVC D: 13x17 L: 1M	60081266-02		•	•	•																	
0938	TUBE PVC D: 9x12 L: 1M	60081266		•	•	•																	
0939	WASHER D: 18.4-12.2-1.5	60061855-14		•	•	•																	
0942	FILLER NECK	60001078		•	•	•																	
5000 ACCESSORIES																							
5001	BURNER JET FULL KIT (LPG)	60000752		•																			
	BURNER JET FULL KIT (LPG)	60000753			•																		
	BURNER JET FULL KIT (LPG)	60000754				•																	
5020	AIR RETURN MANIFOLD	65104710		•	•	•																	
	CLEANING KIT CONDENSATION	60000982		•	•	•																	
	ROD PLATE	60000999		•																			
	ROD PLATE	60001000			•	•																	

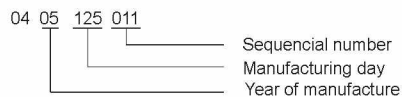
LIST OF THE ABBREVIATIONS

HW	: Hot water.
CW	: Cold water.
C	: Ceramic resistance (normal heating).
Ca	: Ceramic resistance (accelerated heating)
TP	: Immersion heater.
1F	: With fittings.
2F	: Without fittings.
3F	: With fittings and another outlet connection.
AMI	: With mixing valve.
SMI	: Without mixing valve.
PUISS	: Power of th appliance.
PN	: Appliance with normal pression.
LP	: Appliance with low pression.
PV	: Appliance with variable power.
PF	: Appliance with fixed power.

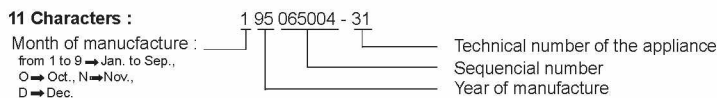
IDENTIFICATION PLATE

SERIAL NUMBER

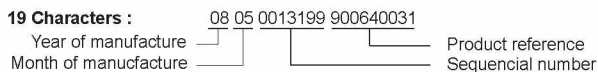
10 Characters :



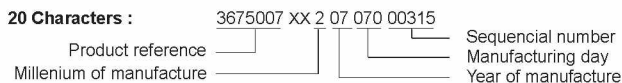
11 Characters :



19 Characters :



20 Characters :



21 Characters :

