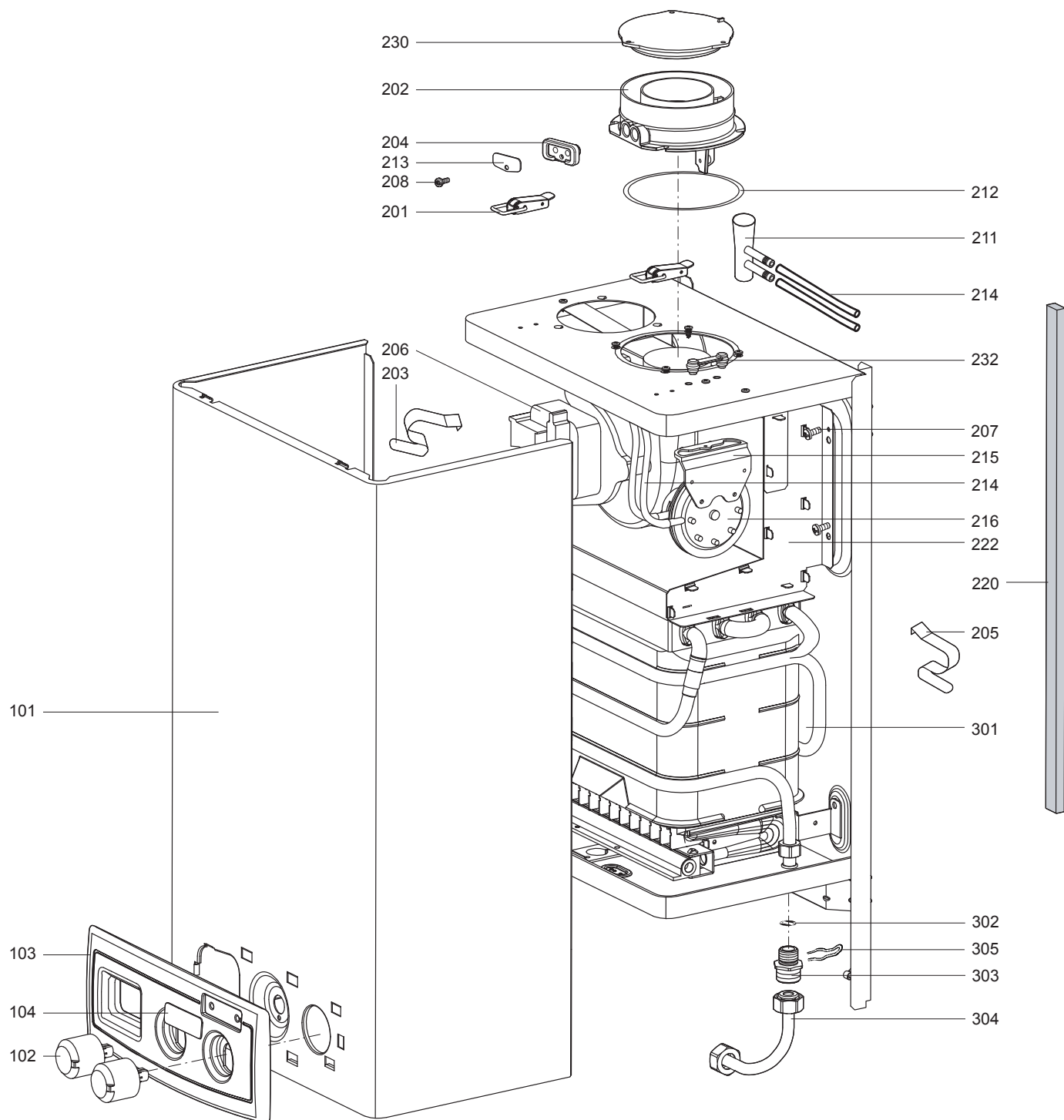


SPARE PARTS EXPLODED VIEW
 INSTANTANEOUS GAS WATER HEATERS
 Model
FLUENDO FF

R8202733-09 - 10/04/2012

1	537705	SX 11 FF B/P	04/04	05/04
1	552044	SX 11 FF B/P	04/04	05/04
1	3675027	FLUENDO 11 FF B/P	06/04	...
1	537704	SX 11 FF NAT	04/04	05/04
1	552043	SX 11 FF NAT	04/04	05/04
1	552039	SX 11 FF NAT	04/04	05/04
1	552083	SX 11 FF NAT	04/04	05/04
1	3675026	FLUENDO 11 FF NAT	06/04	...
2	3675028	FLUENDO 14 FF NAT	06/04	...
2	3675029	FLUENDO 14 FF B/P	06/04	...
Col	Reference	Model type	Begin	End



FLUENDO 11 FF
FLUENDO 14 FF

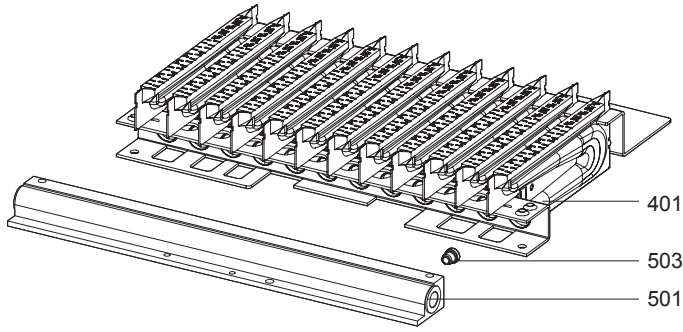
31

Description	Manf. Pt. N	Type																		
			1	2	3	4	5	6	7	8	9	10	11	12	13	14	15	16	17	18
0100 FRONT CASE																				
0101 FRONT CAS PAINTED	61400287		•	•																
0102 KNOB	61400288		•	•																
0103 FACIA	61400289		•	•																
0104 PLATE	61400325		•	•																
0200 FAN ASSEMBLY																				
0201 HINGE	61400260		•	•																
0202 FLUE (EXHAUST MANIFOLD / HEADER)	999561		•	•																
0203 CLIP	61400259		•	•																
0204 GASKET (FLUE TEST POINT)	998636		•	•																
0205 CLIP	61400258		•	•																
0206 FAN ASSY	61400261		•																	
FAN ASSY	61401861			•																
0207 SCREW	61400293		•	•																
0208 SCREW CBLZ M 4-8	60057750		•	•																
0211 TUBE	61400257		•	•																
0212 GASKET (FLUE COLLAR)	998637		•	•																
0213 COVER (FLUE TEST POINT)	998565		•	•																
0214 TUBE D:4.2x7.4	61400291		•	•																
0215 PRESSURE SENSI. SWITCH SUPPORT	61401799		•	•																
0216 AIR PRESSURE SWITCH 80 > 120	61400262		•																	
AIR PRESSURE SWITCH	61401809			•																
0220 GASKET	61400294		•	•																
0222 DRAUGHT DIVERTER	61401800		•																	
0230 AIR RETURN COVER	991821		•	•																
0232 AIR INTAKE COVER	573329		•	•																
0300 HEATING BODY																				
0301 HEATING BODY	60001172		•	•																02/06
HEATING BODY	61400263		•	•																03/06
0302 GASKET	61400264		•	•																
0303 CONNECTION G3/8-G1/2	61400295		•	•																
0304 TUBE	60000511		•	•																03/06
TUBE	61400282		•	•																02/06
0305 HOOK	61400296		•	•																

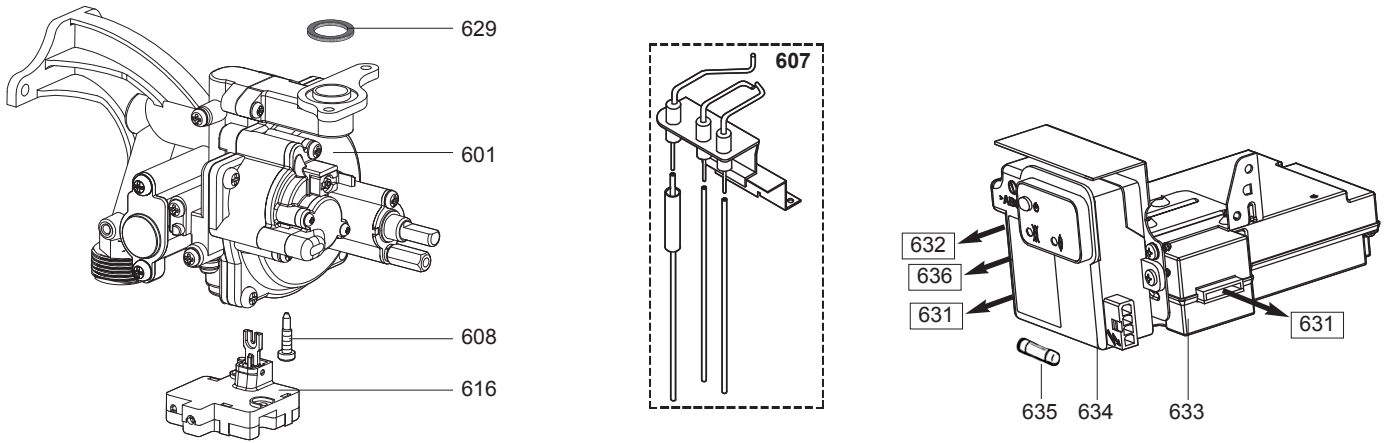
FLUENDO FF

Instantaneous Gas Water Heaters

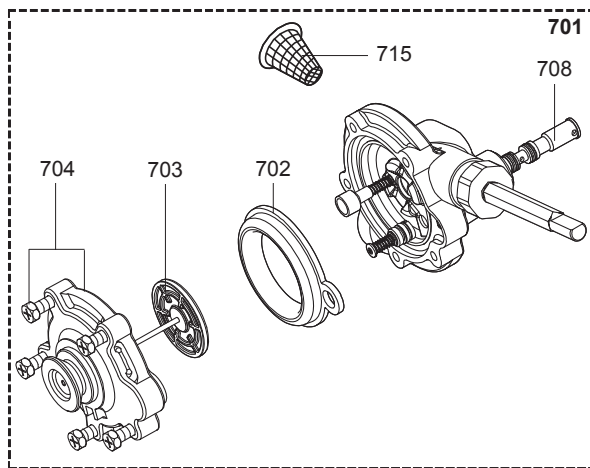
400
500



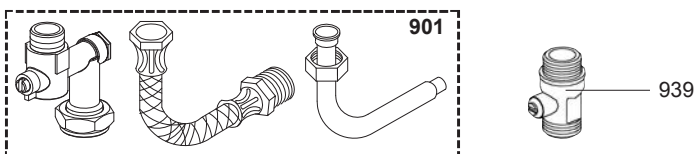
600



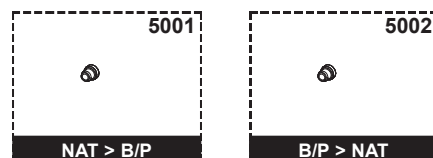
700



900



5000



FLUENDO 11 FF
FLUENDO 14 FF

31

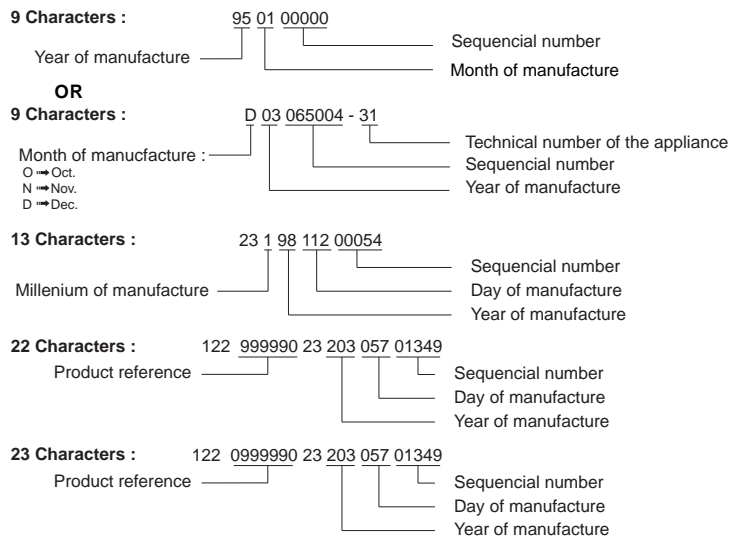
☉⇒	Description	Manf. Pt. N	Type	1 2 3 4 5 6 7 8 9 10 11 12 13 14 15 16 17 18																	
				1	2	3	4	5	6	7	8	9	10	11	12	13	14	15	16	17	18
0400	BURNER HEAD																				
0401	BURNER HEAD	60000277			•																
	BURNER HEAD	61400265			•																
0500	MANIFOLD																				
0501	MANIFOLD	60000361				•															
	MANIFOLD	61400266				•															
0503	INJECTOR D: 0.72	61400268	B/P			•	•														
	INJECTOR D: 1.18	61400267	NAT			•	•														
0600	GAS SECTION																				
0601	GAS SECTION LPG ASSY	61400269	B/P			•															
	GAS SECTION LPG ASSY	61401801	B/P				•														
	GAS SECTION NAT ASSY	61400270	NAT			•															
	GAS SECTION NAT ASSY	61401802	NAT				•														
0607	IGNITION ELECTRODE	60001181				•															
	IGNITION ELECTRODE	61400271				•															
0608	SCREW	61400292				•	•														
0616	MICRO SWITCH BOX	61400272				•	•														
0629	GASKET	61400273				•	•														
0631	CABLE	61400274				•	•														
0632	CABLE	61400298				•	•														
0633	ELECTRICAL BOX	61400276				•	•														
0634	CONTROL BOX	61400275				•	•														
0635	FUSE 250V 0.5A - TEMPORIZED	61400290				•	•														
0636	CABLE	61400299				•	•														
0700	WATER SECTION ASSY																				
0701	WATER SECTION ASSY	61400277				•															
	WATER SECTION ASSY	61401803					•														
0702	DIAPHRAGM	61400278				•	•														
0703	BEARING PLATE	61400279				•	•														
0704	COVER	60001033				•	•														
0708	VENTURI	60000278				•															
	VENTURI	61400280				•															
0715	FILTER	61400281				•	•														
0900	JIG PLATE & PIPE FITTING																				
0901	CONNECTION KIT	61401808				•	•														
0939	SERVICE TAP	61009433				•	•														
5000	ACCESSORIES																				
5001	CONVERSION KIT NAT > LPG	61401804				•															
	CONVERSION KIT NAT > LPG	61401805					•														
5002	CONVERSION KIT LPG > NAT	61401806				•															
	CONVERSION KIT LPG > NAT	61401807					•														

LIST OF THE ABBREVIATIONS

HW	: Hot water.
CW	: Cold water.
C	: Ceramic resistance (normal heating).
Ca	: Ceramic resistance (accelerated heating)
TP	: Immersion heater.
1F	: With fittings.
2F	: Without fittings.
3F	: With fittings and another outlet connection.
AMI	: With mixing valve.
SMI	: Without mixing valve.
PUISS	: Power of th appliance.
PN	: Appliance with normal pression.
LP	: Appliance with low pression.
PV	: Appliance with variable power.
PF	: Appliance with fixed power.

IDENTIFICATION PLATE

SERIAL NUMBER



The indications mentioned on the prices, commercial or technical literature and the scheme are written for your guidance and are available at a given time. The CONSTRUCTOR retains the power to modify the presentation, the form, the size, the conception or the material of the products.