

# SPARE PARTS EXPLODED VIEW GAS WALL BOILERS

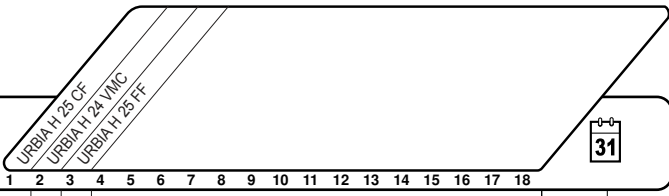
Model

## URBIA H

R8203213-03 - 27/03/2012

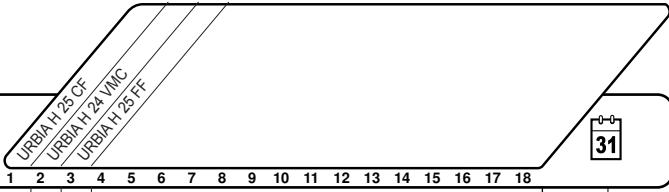
1	3650347	URBIA H 25 CF N FR	09/09	...
2	3650348	URBIA H 24 VMC N FR	09/09	...
3	3650349	URBIA H 25 FF N FR	09/09	...
Col	Reference	Model type	Begin	End





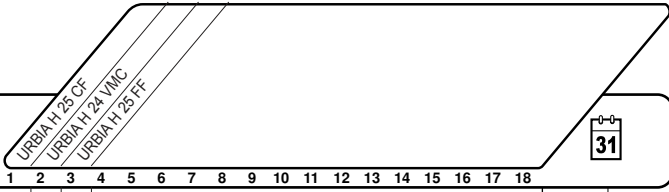
Description	Manf. Pt. N	Type	URBIA H 25 CF URBIA H 24 VMC URBIA H 25 FF																	
			1	2	3	4	5	6	7	8	9	10	11	12	13	14	15	16	17	18
<b>0100 BURNER ASSEMBLY</b>																				
0101 ELECTRODE (IGNITION/DETECTION)	65104549		•	•	•															
0103 THERMOSTAT 102°	65104500		•	•	•															
0110 PANELS (KIT)	65104695		•	•																
PANELS (KIT)	65106298				•															
0111 MAIN EXCHANGER	65104247		•	•																
MAIN EXCHANGER	65106297				•															
0112 BURNER 13NP	65104220		•	•																
BURNER 16NP	65106431				•															
0113 GAS MANIFOLD 13 INJ. D:1.25	65104302	NAT	•	•																
GAS MANIFOLD 11 INJ. D:1.32	65106302	NAT			•															
0160 CLIP	61010050		•	•	•															
<b>0200 GAS SECTION</b>																				
0201 GAS VALVE	65104254		•	•	•															
0204 SPARK GENERATOR	65104653		•	•	•															
0210 RESTRICTOR D: 6.3	60000018	NAT	•	•																
RESTRICTOR D: 5.7	60000498	NAT			•															
0214 PIPE (GAS VALVE/BURNER)	65104230		•	•	•															
0216 GROMMET	60000624		•	•	•															
0217 UNION (3/4)	65104326		•	•	•															
0218 UNION (1/2)	65104327		•	•	•															
0250 GAS TUBE	60000720		•	•	•															
0251 EPDM PIPE	65104296				•															
0270 GASKET (SPARK GENERATOR)	574279		•	•	•															
0280 O-RING D: 14-2.00	60000903	NAT	•	•	•															
0281 O-RING 22,22X2,62	65104304		•	•	•															
0283 O-RING 17,17X1,78	65104303		•	•	•															
<b>0300 FAN ASSEMBLY</b>																				
0301 OVERHEAT THERMOSTAT 49C	61310767			•																
THERMOSTAT 75-65°C	999539		•																	
0302 AIR PRESSURE SWITCH 50 Pa	65104671-01				•															
0303 FAN	65104255				•															
0304 HALL SENSOR 15/24/25 FF	65108301				•															
0310 FLUE (EXHAUST MANIFOLD / HEADER)	65105393				•															
0311 AIR INTAKE COVER	573329				•															
0312 FLUE INTAKE PLUG	65104295				•															
0313 COMBUSTION CHAMBER 24CF	65104218		•	•																
0314 COMBUSTION CHAMBER 24/28 FF	65106295				•															
0315 CONDENSATE TRAP	65104623				•															
0316 PANEL (INSULATION - FAN)	65104305				•															
0317 SUPPORT (AIR PRESSURE SWITCH)	65104378				•															
0318 VENTURI 15/24FF	65106516				•															
0319 RESTRICTOR KIT	60001598				•															
0371 COLLAR GASKET	65104258				•															
0372 FAN GASKET	65104257				•															
0373 GASKET	60000317				•															
0374 CABLE INLET RUBBER WASHER	60000716		•	•	•															
<b>0400 SEALED CASE</b>																				
0401 EXPANSION VESSEL 7.5L	60000823		•	•	•															
0410 PANEL (COMBUSTION CHAMBER)	65104240		•	•																
PANEL (COMBUSTION CHAMBER)	65106296				•															
0411 SIGHT GLASS	65104232				•															
0412 SPRING FRONT PANEL (KIT)	65104298				•															
0413 AIR RETURN COVER	65104249				•															
0414 PANEL (FRONT - SEALED CHAMBER)	65105679				•															
0415 CASE PANEL (L.H. SIDE)	65105676		•	•	•															
0416 CASE PANEL (R.H. SIDE)	65105677		•	•	•															
0417 CASE PANEL (FRONT)	60000719		•	•	•															
0420 EXPANSION VESSEL SUPPORT	65104696		•	•	•															



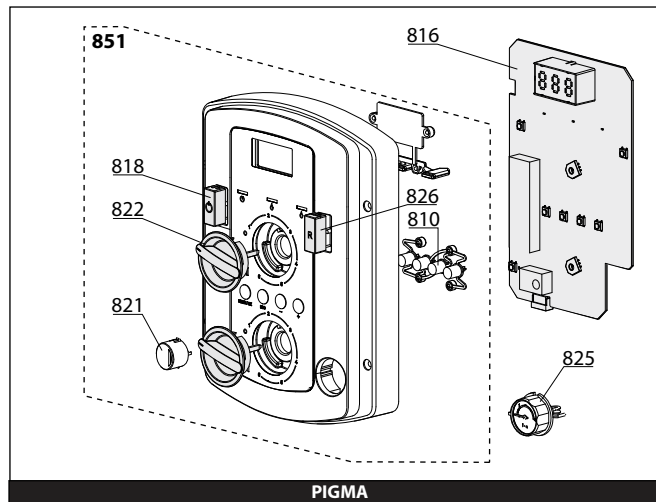
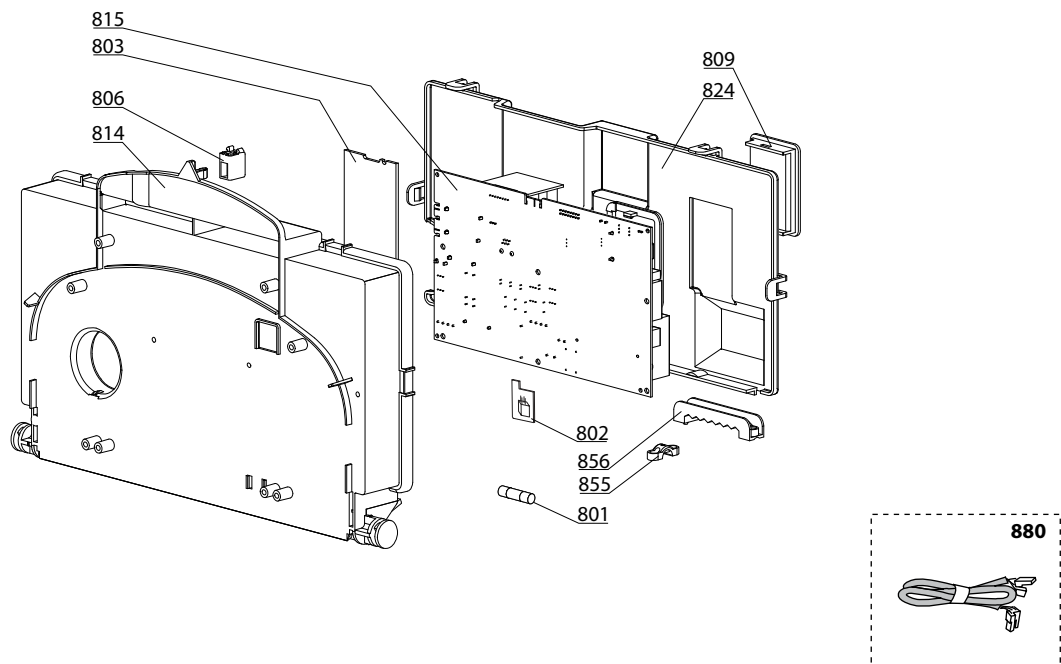


Description	Manf. Pt. N	Type																		
			1	2	3	4	5	6	7	8	9	10	11	12	13	14	15	16	17	18
<b>0500 FLOW GROUP</b>																				
0501 FLOW GROUP	60000873		•	•	•															
0502 TEMPERATURE PROBE + CLIP	990686		•	•	•															
0503 PRESSURE RELIEF VALVE 3 BAR	61312668		•	•	•															
0504 NTC PROBE	65104338		•	•	•															
0506 NTC PROBE	60000822		•	•	•															
0507 WATER / WATER HEAT EXCHANGER 16	65104333		•	•	•															
0512 PLUG	65104445		•	•	•															
0514 BY-PASS	65104336		•	•	•															
0515 GROMMET	60000808		•	•	•															
0517 PLUG 3/4»	60000996		•	•	•															
0518 CYLINDER 4L	60000831		•	•	•															
0521 HYDRAULIC GROUP SUPPORT	60001375		•	•	•															
0550 PIPE (SAFETY VALVE)	65104447		•	•	•															
0551 HEATING FLOW TUBE	60000722		•	•																
HEATING FLOW TUBE	60001131				•															
0552 BY-PASS PIPE	65104340		•	•	•															
0553 HEATING TUBE	60000846		•	•	•															
0554 HEATING TUBE	60000847		•	•	•															
0555 INLET PIPE	60000854		•	•	•															
0556 PIPE (SECONDARY RETURN)	60000849		•	•	•															
0560 CLIP D:10	65104260		•	•	•															
0561 CLIP	61307589		•	•	•															
0562 CLIP D=18	65104259		•	•	•															
0563 CLIP	65104339		•	•	•															
0565 CLIP	60000309		•	•	•															
0566 CLIP	65105109		•	•	•															
0580 SHEET GASKET D: 13.9-10.4-1.5	60061853-02		•	•	•															
0581 O - RING (15.88X2.62)	65104337		•	•	•															
0582 O-RING D: 17.86-2.62	61308091		•	•	•															
0583 O - RING (15.54X2.62)	65104325		•	•	•															
0584 O-RING D: 11.91-2.62	60000850		•	•	•															
0585 O-RING 3,53X17,04	65104262		•	•	•															
0586 SHEET GASKET D: 11-5-1.5	60061853-07		•	•	•															
0587 O-RING D: 12.1-2.7	60024164-16		•	•	•															
0588 EXCHANGER GASKET	65104334		•	•	•															

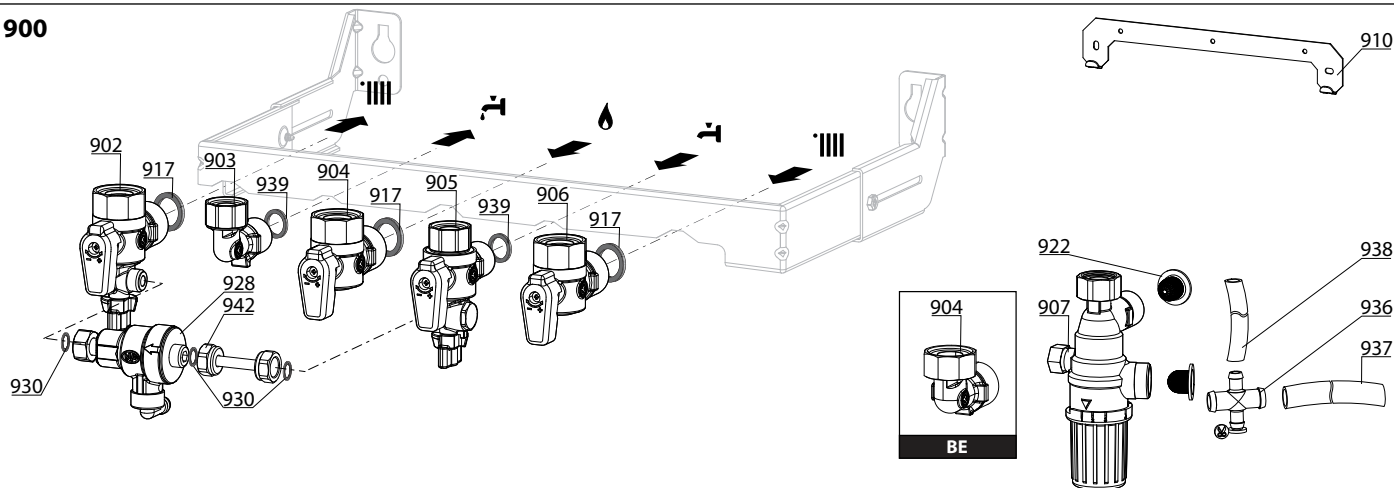




☉⇒	Description	Manf. Pt. N	Type																		
				1	2	3	4	5	6	7	8	9	10	11	12	13	14	15	16	17	18
<b>0600</b>	<b>RETURN GROUP</b>																				
0601	RETURN GROUP	60000874		•	•	•															
0602	LOW PRESSURE SWITCH	65105090		•	•	•															
0603	TEMPERATURE PROBE + CLIP	990686		•	•	•															
0604	PUMP 5M 2V	65104319		•	•	•															
0605	MOTOR - THREE-WAY VALVE	61302483-01		•	•	•															
0606	SENSOR (REED)	65104323		•	•	•															
0607	FLOW METER	60000870		•	•	•															
0610	MOTOR + SPRING 3 WAY VALVE KIT	60001583		•	•	•															
0611	PRESSURE RELIEF VALVE 7 BARS	60000171		•	•	•															
0612	PLUG	65104377		•	•	•															
0613	RIDUCTORS (KIT)	65104318		•	•	•															
0614	AUTO AIR VENT WITH O-RING	65104703		•	•	•															
0615	KIT DRAIN SCREW	60001385		•	•	•															
0616	WATER FILTER	60001372		•	•	•															
0617	GROMMET	60000807		•	•	•															
0619	PLUG	65104377		•	•	•															
0650	PIPE (EXPANSION VESSEL)	60000851		•	•	•															
0651	HEATING RETURN TUBE	60000723		•	•	•															
	HEATING RETURN TUBE	60001132				•															
0652	HEATING RETURN TUBE	60000724		•	•	•															
0660	CLIP D:10	65104260		•	•	•															
0661	CLIP	65104332		•	•	•															
0662	CLIP	61307589		•	•	•															
0663	U-CLIP	65104704		•	•	•															
0664	CLIP	65104322		•	•	•															
0665	CLIP	65104331		•	•	•															
0666	CLIP	60000309		•	•	•															
0667	CLIP	65100680		•	•	•															
0668	CLIP	65104316		•	•	•															
0680	GASKET 3/8	573521		•	•	•															
0681	O - RING (9.19X2.62)	65104313		•	•	•															
0682	O-RING 3,53X17,04	65104262		•	•	•															
0683	O - RING (23.47X2.62)	65104315		•	•	•															
0684	O-RING	65104705		•	•	•															
0686	O - RING (15.54X2.62)	65104325		•	•	•															
0687	O RING D: 5.7-1.9	61009834-10		•	•	•															
0688	O - RING (21.89X2.62)	65104320		•	•	•															
0689	O-RING 17,17X1,78	65104303		•	•	•															
0690	O-RING D: 8.9-2.7	61009834-14		•	•	•															
0691	O-RING D: 17.86-2.62	61308091		•	•	•															



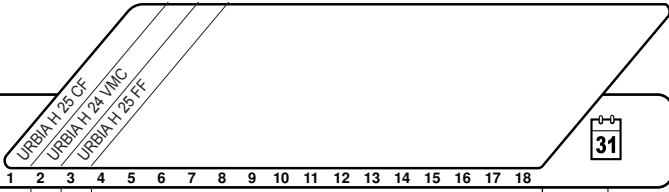
900



5000

<p><b>5001</b>                  Transf. gaz &gt; B/P                  Conv. gas &gt; LPG                  Trasn. gas &gt; GPL                  Transf. gas &gt; B/P                  Umrustsatz &gt; B/P</p>	<p><b>5002</b>                  Transf. gaz &gt; Nat                  Conv. gas &gt; Nat                  Trasn. gas &gt; Met                  Transf. gas &gt; Met                  Umrustsatz &gt; Nat</p>	<p><b>5020</b>                  Options                  Accessories                  Opzioni                  Accessorio                  Option</p>
--	--	---





☉	Description	Manf. Pt. N	Type	URBIA H 25 CF URBIA H 24 VMC URBIA H 25 FF																	
				1	2	3	4	5	6	7	8	9	10	11	12	13	14	15	16	17	18
<b>0800</b>	<b>ELECTRICAL BOX</b>																				
0801	FUSE 250V 2A - TEMPORIZED	61003456		•	•	•															
0802	MODULE KIT (EEPROM)	65105148		•	•	•															
0803	P.C.B (CLIP-IN) E-BUS	65109108		•	•	•															
0806	PUSH	65104228		•	•	•															
0809	INSPECTION COVER	65104294		•	•	•															
0810	PUSH BUTTON	60000978		•	•	•															
0814	CONTROL PANEL	65104300		•	•	•															
0815	P.C.B. (MAIN)	65109313-02		•	•	•															
0816	PRINTED CIRCUIT BOARD (DISPLAY)	60000817-01		•	•	•															
0818	PUSH BUTTON ON/OFF	60000836		•	•	•															
0821	PUSH BUTTON	60000835		•	•	•															
0822	KNOB	60001003		•	•	•															
0824	CONTROL PANEL COVER (REAR)	65104293		•	•	•															
0825	PRESSURE GAUGE	60000725		•	•	•															
0826	BUTTON (RESET)	60000806		•	•	•															
0851	FRONT CONTROL PANEL COMPLETE	60000833		•	•	•															
0855	CABLE CLAMP	571562		•	•	•															
0856	CABLE CLAMP	65103377		•	•	•															
0880	EARTH WIRE	65104286		•	•	•															
	DISPLAY WIRING	60000746	/ CN02	•	•	•															
	NTC - PRES. SENSOR - GAS VALVE CABLE	60000840	/ CN04	•	•	•															
	IONIZATION ELECTRODE CABLE	65104518	/ CN05	•	•	•															
	SHUNT CABLE	60000839	/ CN07			•															
	TACHOMETER FAN CABLE	65104709	/ CN07			•															
	THREE WAY VALVE CABLE	65104523	/ CN09	•	•	•															
	PUMP 2V CABLE 5M	65104520	/ CN10	•	•	•															
	FAN CABLE	65107270	/ CN10			•															
	CLIP-IN E-BUS WIRING	65105169	/ CN11	•	•	•															
	FLOW METER CABLE	60000813	/ CN14	•	•	•															
	FEEDER 240V	60000993	/ CN20	•	•	•															
	NTC - OVERHEAT THER. - PRES SWITCH CABLE	60000814	/ CN22			•															
	NTC PROBE - OVERHEAT THERMOSTAT CABLE	60000838	/ CN22			•															
	NTC PROBE - OVERHEAT THERMOSTAT CABLE	65104708	/ CN22	•																	
	ROOM THERMOSTAT CABLE	60000988	/ CN25	•	•	•															
<b>0900</b>	<b>JIG PLATE &amp; PIPE FITTING</b>																				
0902	WATER FLOW SERVICE TAP	60000886		•	•	•															
0903	HOT WATER CONNECTION	60000891		•	•	•															
0904	GAS SERVICE TAP	60000898		•	•	•															
	UNION	65105631		•	•	•															
0905	COLD WATER TAP	60000894		•	•	•															
0906	WATER FLOW & RETURN SERVI. TAP	60000885		•	•	•															
0907	THERMOSTATIC MIXING VALVE	60001081		•	•	•															
0910	WALL HOOK	60001077		•	•	•															
0917	SHEET GASKET D: 24-17-1.5	60061855-19		•	•	•															
0922	FILTER	60001087		•	•	•															
0928	DISCONNECTOR	60000881		•	•	•															
0930	SHEET GASKET D: 11-5-1.5	60061853-07		•	•	•															
0936	UNION	60000879		•	•	•															
0937	TUBE PVC D: 13x17 L: 1M	60081266-02		•	•	•															
0938	TUBE PVC D: 9x12 L: 1M	60081266		•	•	•															
0939	SHEET GASKET D: 16.5-11-1.5	60061854-14		•	•	•															
0942	FILLER NECK	60001078		•	•	•															
<b>5000</b>	<b>ACCESSORIES</b>																				
5001	BURNER JET FULL KIT (LPG)	65106690		•		•															
5002	BURNER JET FULL KIT (NG) FR	65106692		•		•															
5020	ROD PLATE	60000727		•	•	•															

## LIST OF THE ABBREVIATIONS

HW .....	: Hot water.
CW .....	: Cold water.
C .....	: Ceramic resistance (normal heating).
Ca .....	: Ceramic resistance (accelerated heating)
TP .....	: Immersion heater.
1F .....	: With fittings.
2F .....	: Without fittings.
3F .....	: With fittings and another outlet connection.
AMI .....	: With mixing valve.
SMI .....	: Without mixing valve.
PUISS .....	: Power of th appliance.
PN .....	: Appliance with normal pression.
LP .....	: Appliance with low pression.
PV .....	: Appliance with variable power.
PF .....	: Appliance with fixed power.

## IDENTIFICATION PLATE

### SERIAL NUMBER

<b>10 Characters :</b>	04 05 125 011		
		Sequential number	
		Manufacturing day	
		Year of manufacture	
<b>11 Characters :</b>	1 95 065004 - 31		
Month of manufacture :		Technical number of the appliance	
from 1 to 9 → Jan. to Sep.,		Sequential number	
O → Oct., N → Nov.,		Year of manufacture	
D → Dec.			
<b>19 Characters :</b>	08 05 0013199 900640031		
Year of manufacture		Product reference	
Month of manufacture		Sequential number	
<b>20 Characters :</b>	3675007 XX 2 07 070 00315		
Product reference		Sequential number	
Millenium of manufacture		Manufacturing day	
		Year of manufacture	
<b>21 Characters :</b>	3675007 XX 07 070 0000315		
Product reference		Sequential number	
Year of manufacture		Manufacturing day	

The indications mentioned on the prices, commercial or technical literature and the scheme are written for your guidance and are available at a given time. The CONSTRUCTOR retains the power to modify the presentation, the form, the size, the conception or the material of the products.