

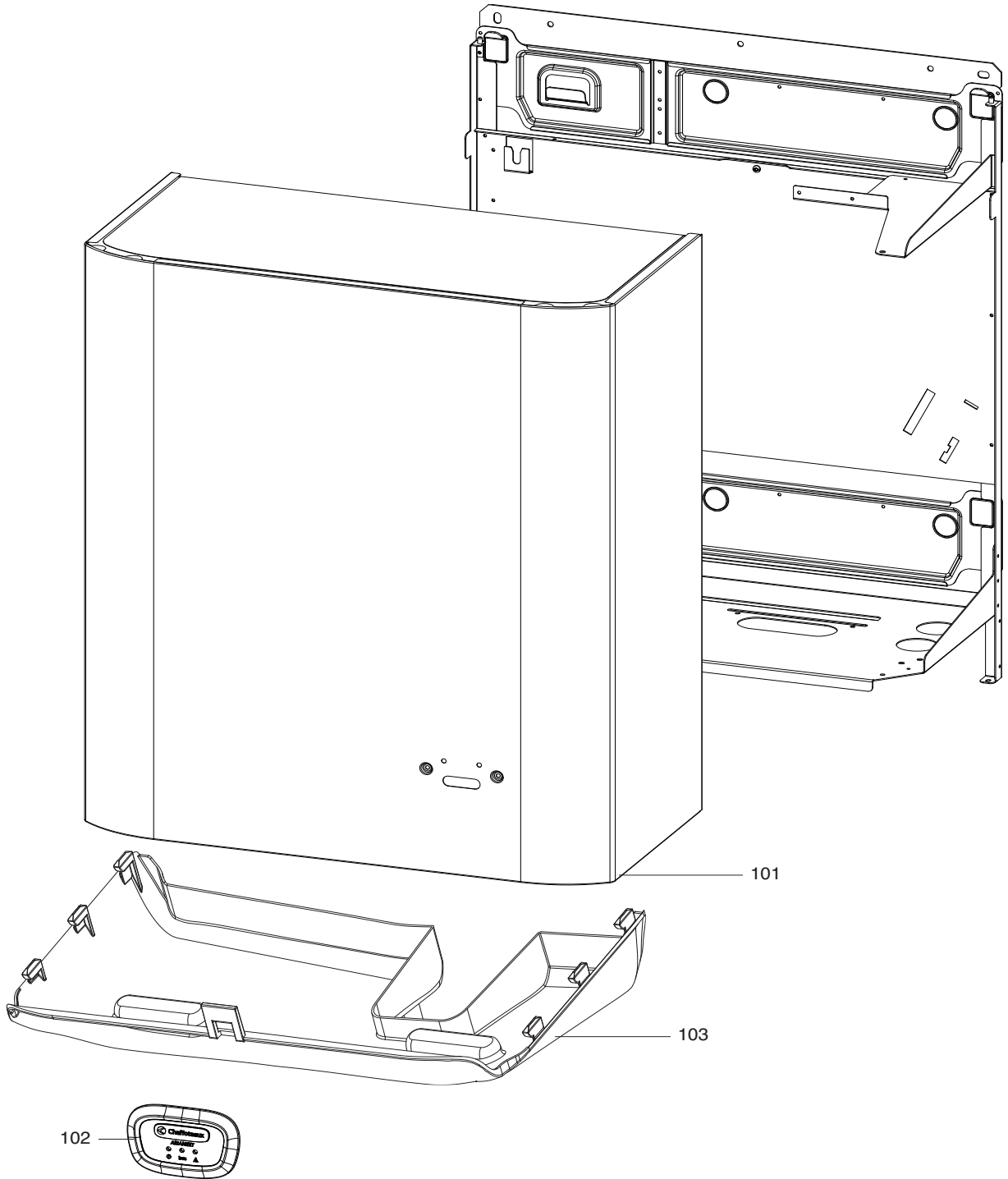
SPARE PARTS EXPLODED VIEW HEAT PUMPS

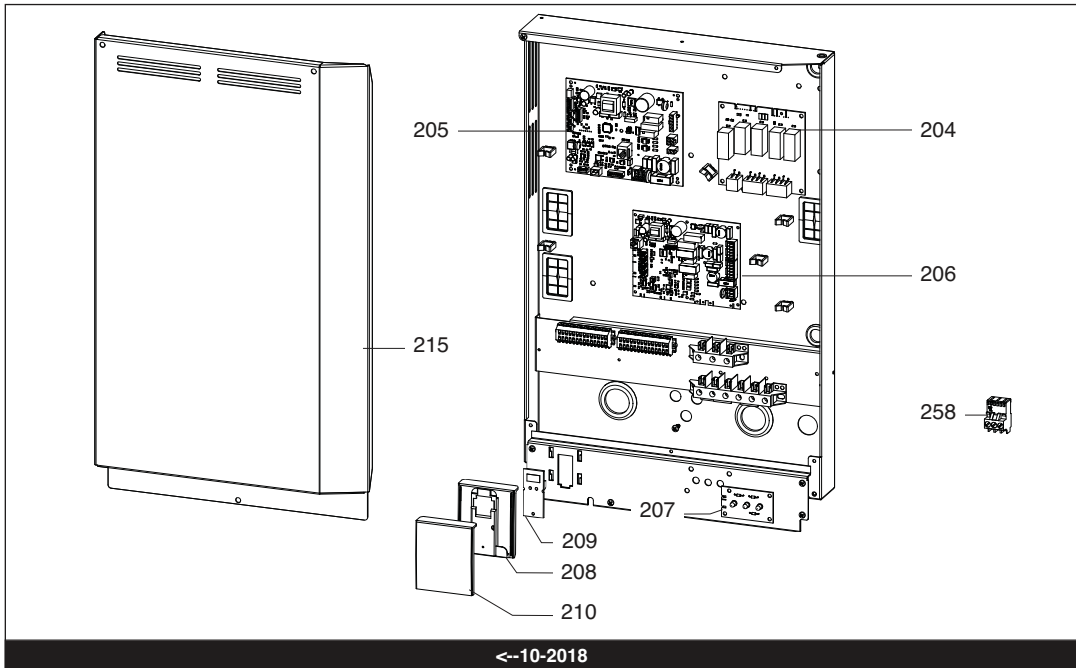
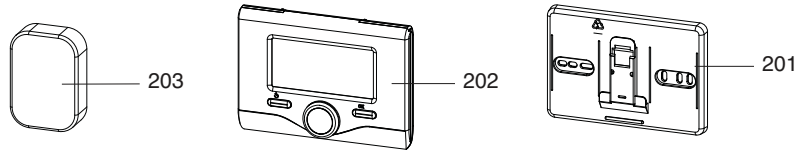
Model

ARIANEXT MGP S

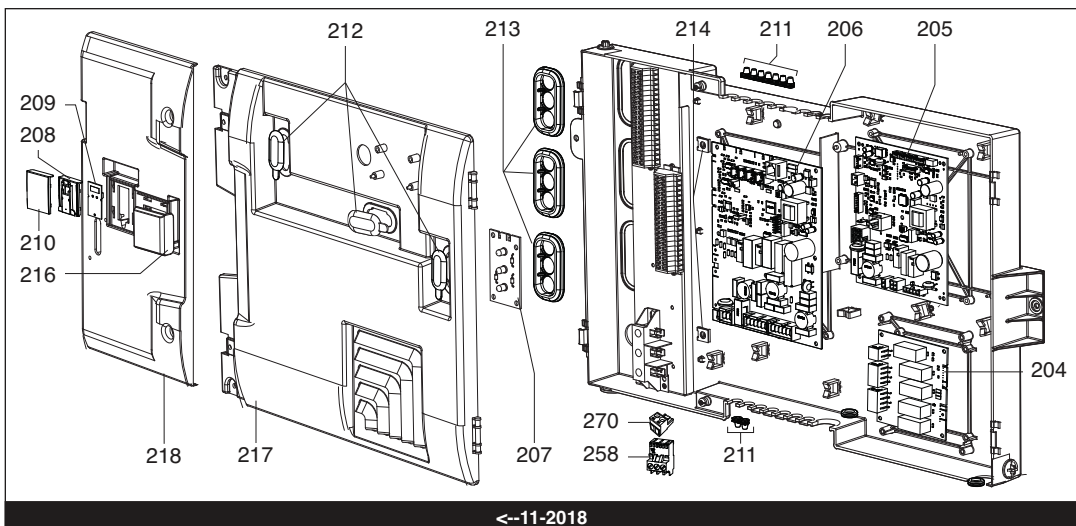
R8217575-06 - 29/03/2021

1	3310493	ARIANEXT MGP 4050 S	09-2016	-
2	3310494	ARIANEXT MGP 70 S	09-2016	-
3	3310495	ARIANEXT MGP 90110 S	09-2016	-
Col	Reference	Model type	Begin	End

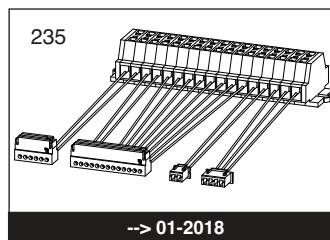
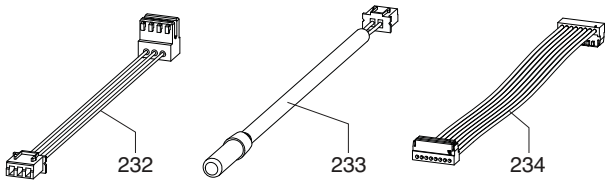




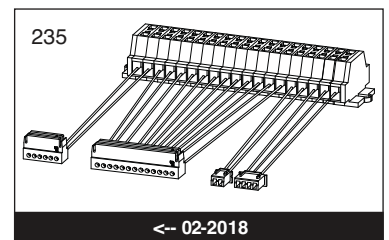
←-10-2018



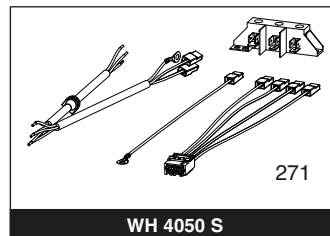
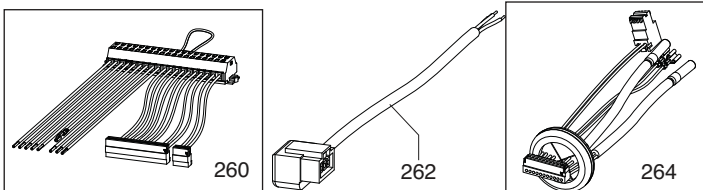
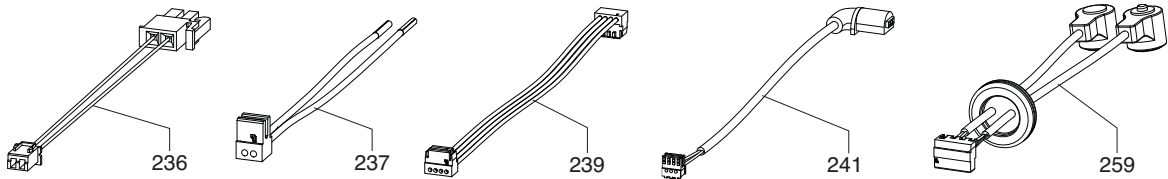
←-11-2018



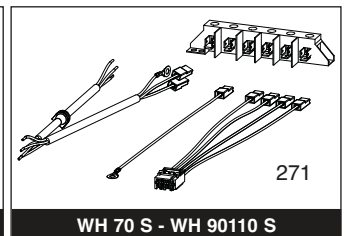
--> 01-2018



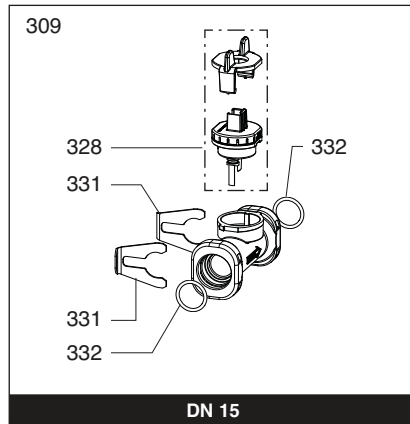
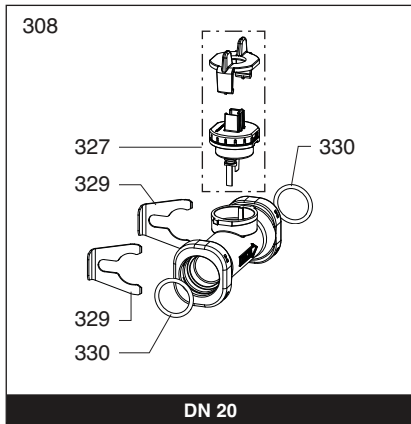
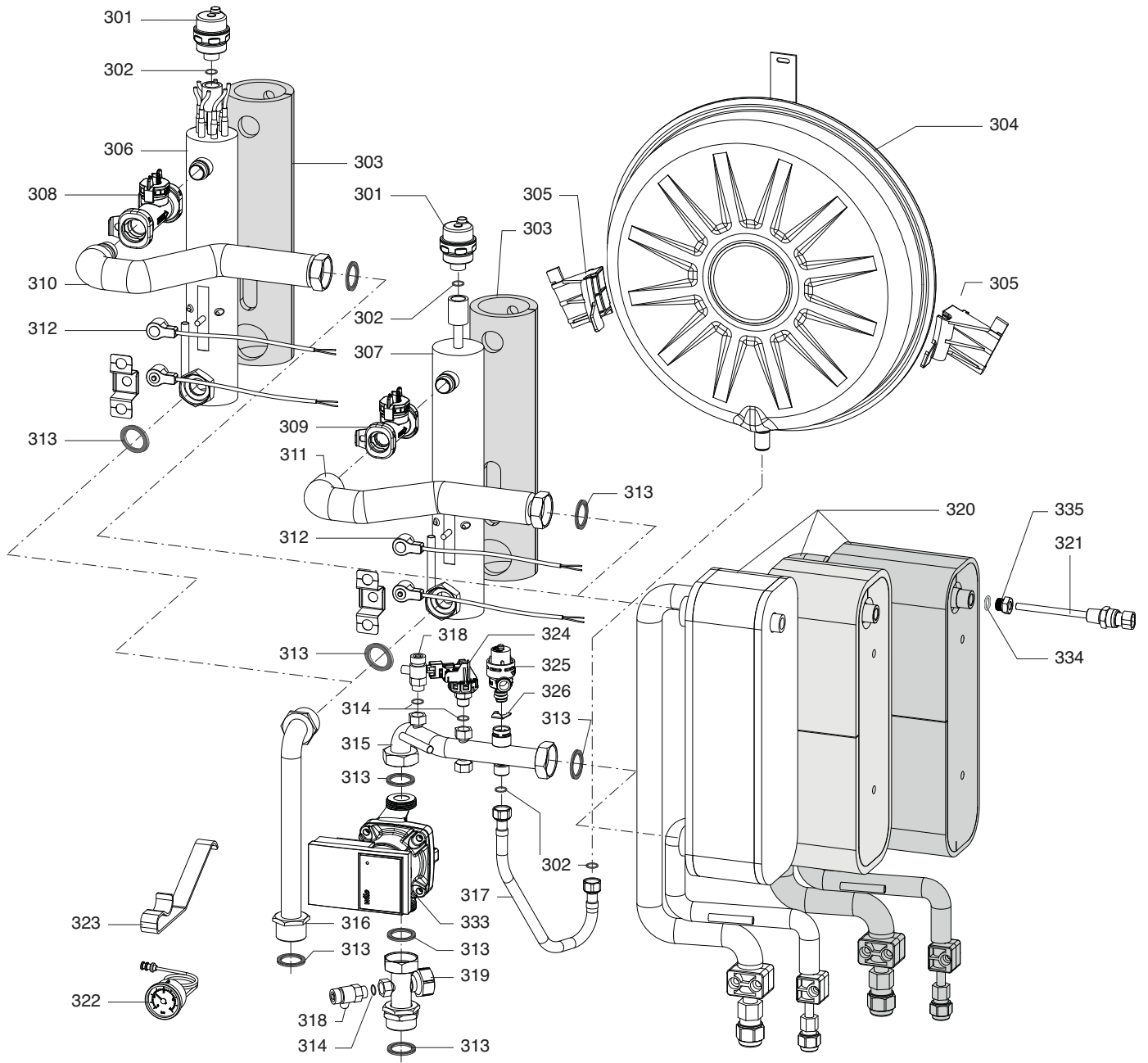
←- 02-2018



WH 4050 S



WH 70 S - WH 90110 S



LIST OF THE ABBREVIATIONS

HW	: Hot water.
CW	: Cold water.
C	: Ceramic resistance (normal heating).
Ca	: Ceramic resistance (accelerated heating)
TP	: Immersion heater.
1F	: With fittings.
2F	: Without fittings.
3F	: With fittings and another outlet connection.
AMI	: With mixing valve.
SMI	: Without mixing valve.
PUISS	: Power of th appliance.
PN	: Appliance with normal pression.
LP	: Appliance with low pression.
PV	: Appliance with variable power.
PF	: Appliance with fixed power.

The indications mentioned on the prices, commercial or technical literature and the scheme are written for your guidance and are available at a given time. The CONSTRUCTOR retains the power to modify the presentation, the form, the size, the conception or the material of the products.
