

# SPARE PARTS EXPLODED VIEW GAS-WALL CONDENSING BOILERS

Model

## **ALIXIA GREEN**

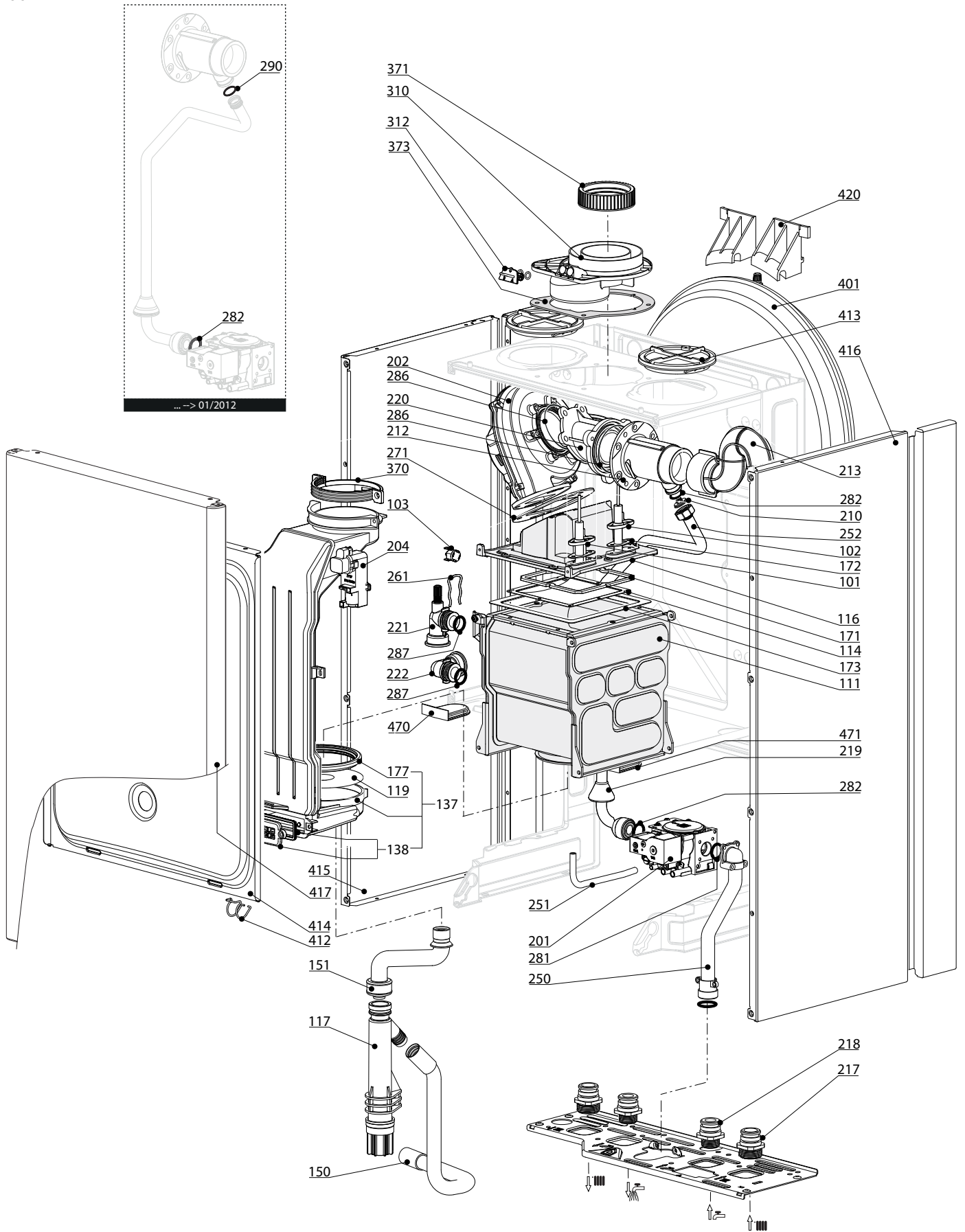
R8203357-04 - 26/04/2021

1	3310300	ALIXIA GREEN 24 FR BE	02-2012	08-2015
2	3310301	ALIXIA GREEN 29 FR BE	02-2012	08-2015
Col	Reference	Model type	Begin	End

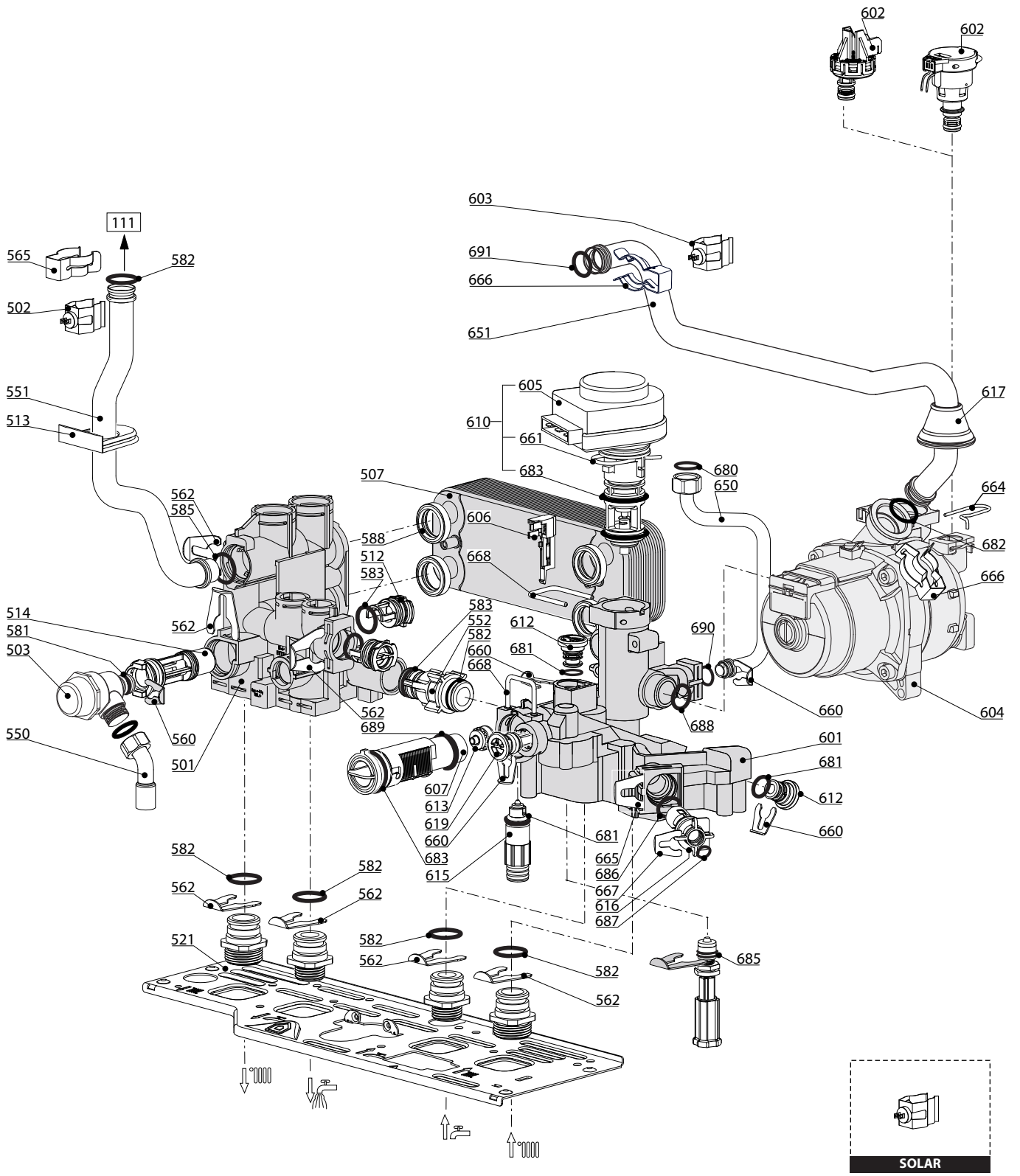
100  
200  
300  
400

ALIXIA GREEN

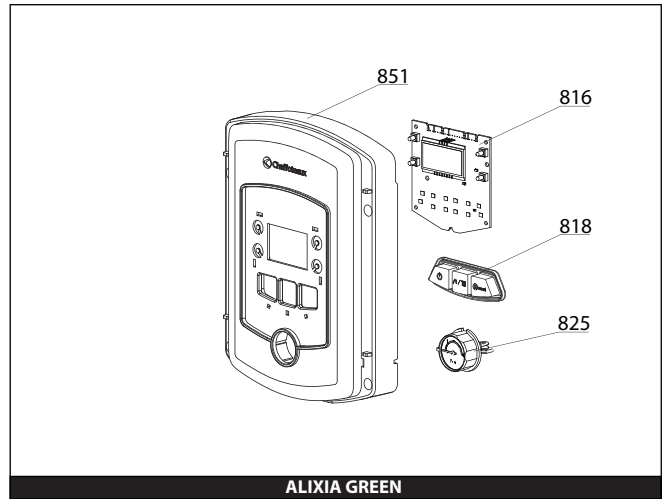
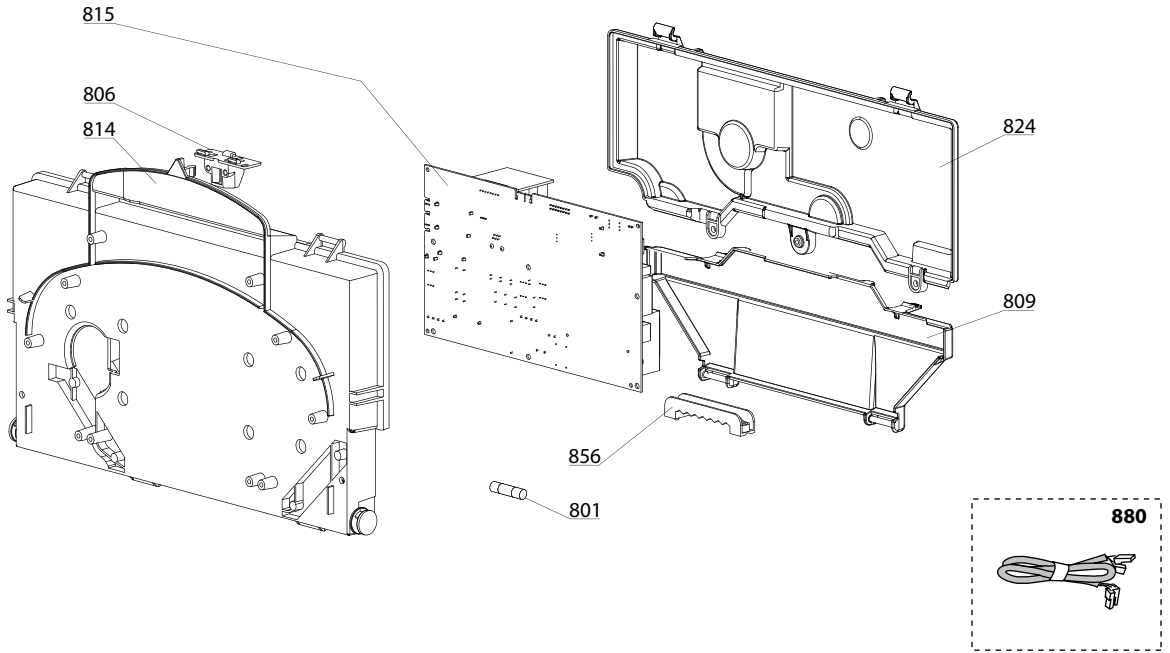
Gas-wall condensing boilers



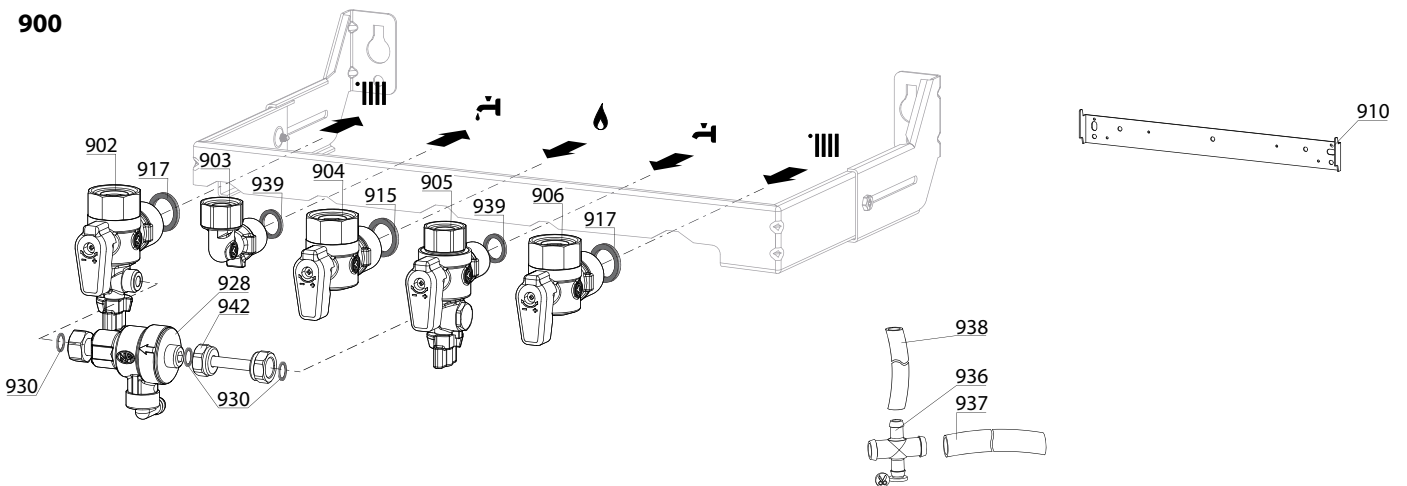








900



5000

Transf. gaz > GPL  
 Conv. gas > GPL  
 Trasn. gas > GPL  
 Transf. gas > GPL

Transf. gaz > Nat  
 Conv. gas > Nat  
 Trasn. gas > Met  
 Transf. gas > Met

Options **5020**  
 Accessories  
 Opzioni  
 Accessorio

ALIXIA GREEN 24  
ALIXIA GREEN 20

31

Description	Manf. Pt. N	Type	1 2 3 4 5 6 7 8 9 10 11 12 13 14 15 16 17 18 From to																	
			1	2	3	4	5	6	7	8	9	10	11	12	13	14	15	16	17	18
<b>0800 ELECTRICAL BOX</b>																				
0801 FUSE 250V 2A	61003456		•	•																
0806 PUSH	65104228		•	•																
0809 INSPECTION COVER	60001618		•	•																
0814 CONTROL PANEL COVER (FRONT)	60001616-01		•	•																
0815 P.C.B. (MAIN)	60001899-03		•	•																
0816 P.C.B. (DISPLAY)	60001606-02		•	•																
0818 PUSH BUTTON	60001295		•	•																
0824 CONTROL PANEL COVER (REAR)	60001617		•	•																
0825 PRESSURE GAUGE	60000725		•	•																
0851 CONTROL PANEL	60001296		•	•																
0856 CABLE CLAMP	65103377		•	•																
0880 3-WAY VALVE CABLE	60001621		•	•																
CABLE (IONIZATION ELECTRODE)	65104518		•	•																
DISPLAY WIRING - 5 WIRES BLUES	60000746		•	•																
EARTH WIRE	65104286		•	•																
FAN CABLE	60001624		•	•																
FEEDER 240V	60001619		•	•																
FLOW METER - PRESSURE SENSOR CABLE	60001620		•	•																
GAS VALVE CABLE	60001622		•	•																
IGNITOR CABLE	60001818		•	•																
NTC PROBE - OVERHEAT THERMOSTAT CABLE	60001623		•	•																
PUMP 2V CABLE 5M WILO	65104520	WILO	•																	
PUMP 2V CABLE 6M WILO	65109585	WILO	•																	
<b>0900 JIG PLATE &amp; PIPE FITTING</b>																				
0902 WATER FLOW SERVICE TAP	60000886		•	•																
0903 HOT WATER CONNECTION	60000891		•	•																
0904 GAS SERVICE TAP	60000898		•	•																
0905 COLD WATER TAP	60000894		•	•																
0906 WATER FLOW & RETURN SERVI. TAP	60000885		•	•																
0910 WALL HOOK	60000625		•	•																
0915 GAS SERVICE TAP GASKET	65119354		•	•																
0917 SHEET GASKET D: 24-17-1.5	60061855-19		•	•																
0928 DISCONNECTOR	60000881		•	•																
0930 SHEET GASKET D: 11-5-1.5	60061853-07		•	•																
0936 UNION	60000879		•	•																
0937 TUBE PVC D: 13x17 L: 1M	60081266-02		•	•																
0938 TUBE PVC D: 9x12 L: 1M	60081266		•	•																
0939 WASHER D: 18.4-12.2-1.5	60061855-14		•	•																
0942 FILLER NECK	60001078		•	•																
<b>5000 ACCESSORIES</b>																				
5020 CLEANING KIT ALUCOND	65118263		•	•																
EXCHANGER GASKETS (KIT)	65112138		•	•																

## LIST OF THE ABBREVIATIONS

HW .....	: Hot water.
CW .....	: Cold water.
C .....	: Ceramic resistance (normal heating).
Ca .....	: Ceramic resistance (accelerated heating)
TP .....	: Immersion heater.
1F .....	: With fittings.
2F .....	: Without fittings.
3F .....	: With fittings and another outlet connection.
AMI .....	: With mixing valve.
SMI .....	: Without mixing valve.
PUISS .....	: Power of th appliance.
PN .....	: Appliance with normal pression.
LP .....	: Appliance with low pression.
PV .....	: Appliance with variable power.
PF .....	: Appliance with fixed power.

## IDENTIFICATION PLATE

### SERIAL NUMBER

<b>10 Characters :</b>	04 05 125 011		
		Sequential number	
		Manufacturing day	
		Year of manufacture	
<b>11 Characters :</b>	1 95 065004 - 31		
Month of manufacture :		Technical number of the appliance	
from 1 to 9 → Jan. to Sep.,		Sequential number	
O → Oct., N → Nov.,		Year of manufacture	
D → Dec.			
<b>19 Characters :</b>	08 05 0013199 900640031		
Year of manufacture		Product reference	
Month of manufacture		Sequential number	
<b>20 Characters :</b>	3675007 XX 2 07 070 00315		
Product reference		Sequential number	
Millenium of manufacture		Manufacturing day	
		Year of manufacture	
<b>21 Characters :</b>	3675007 XX 07 070 0000315		
Product reference		Sequential number	
Year of manufacture		Manufacturing day	