

# SPARE PARTS EXPLODED VIEW GAS WALL BOILERS

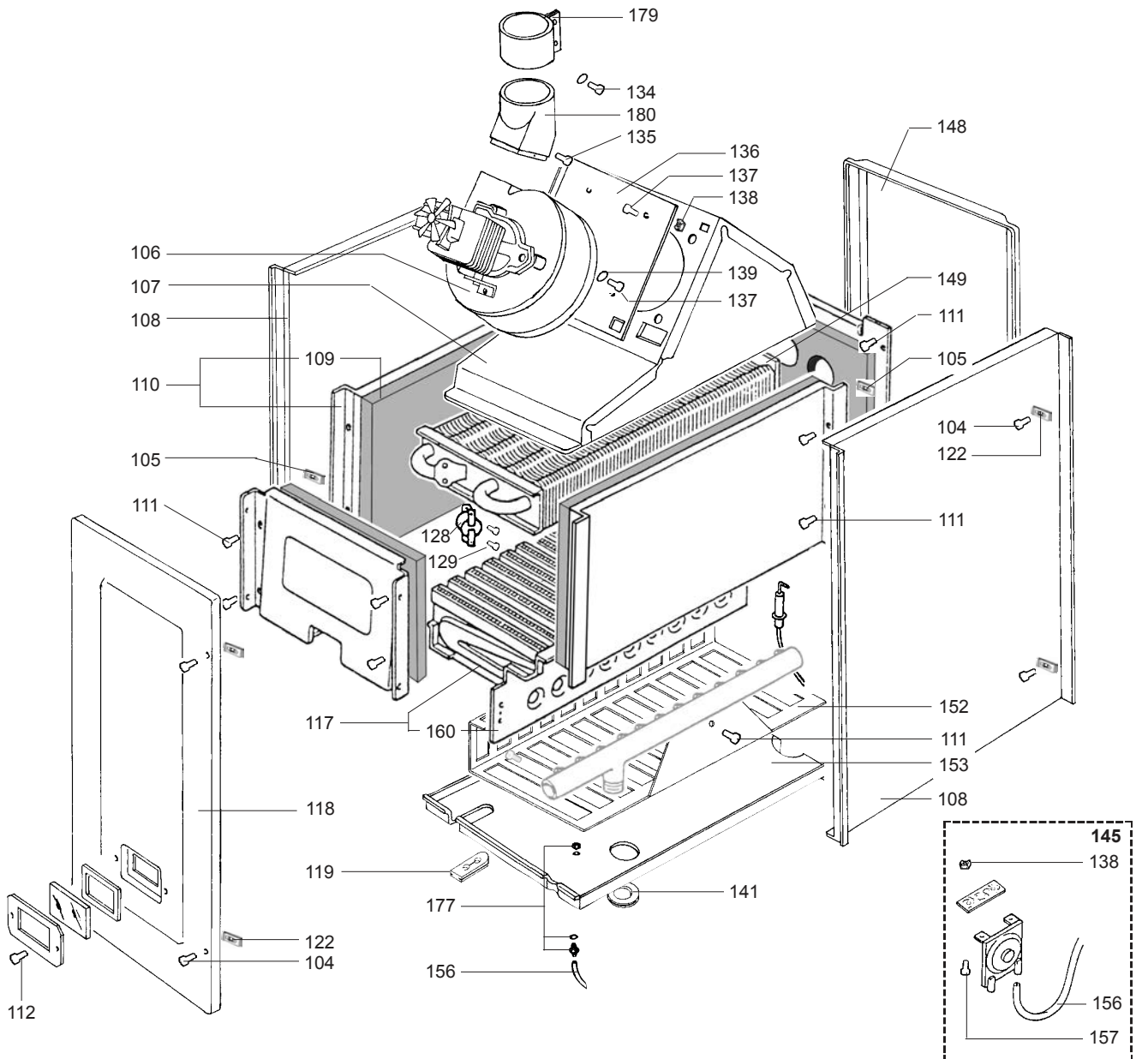
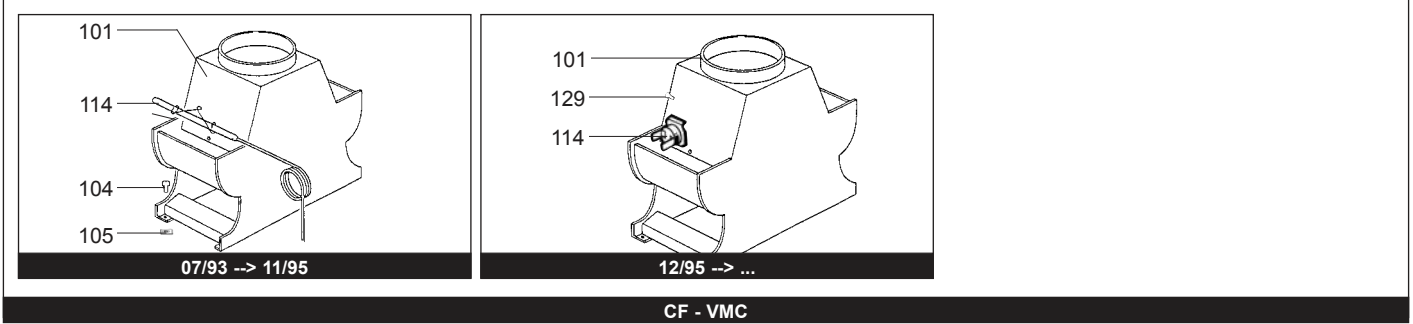
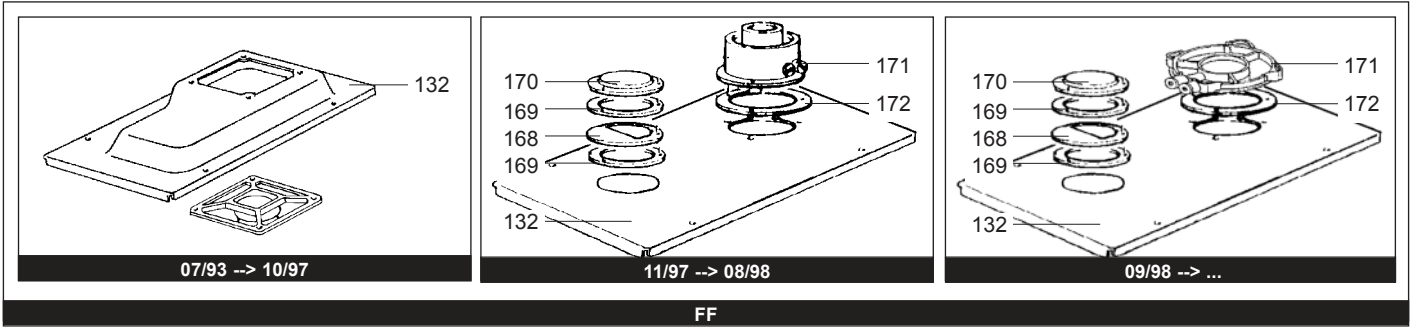
Model

## **NIAGARA**

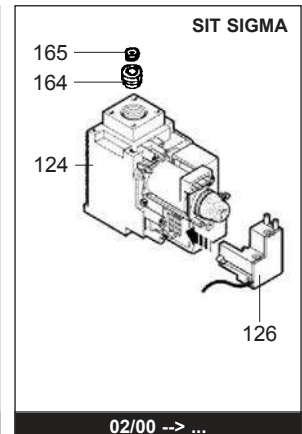
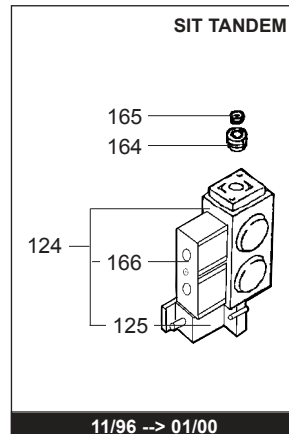
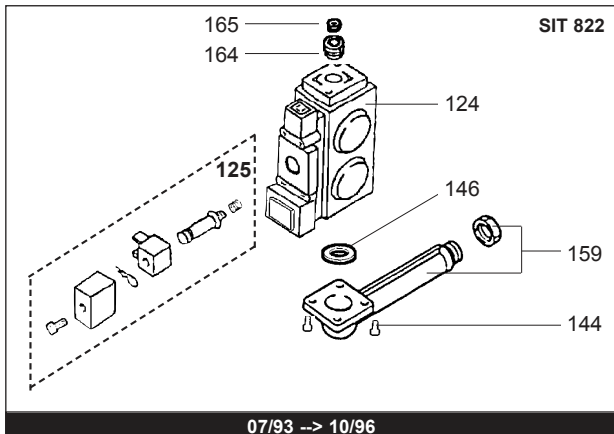
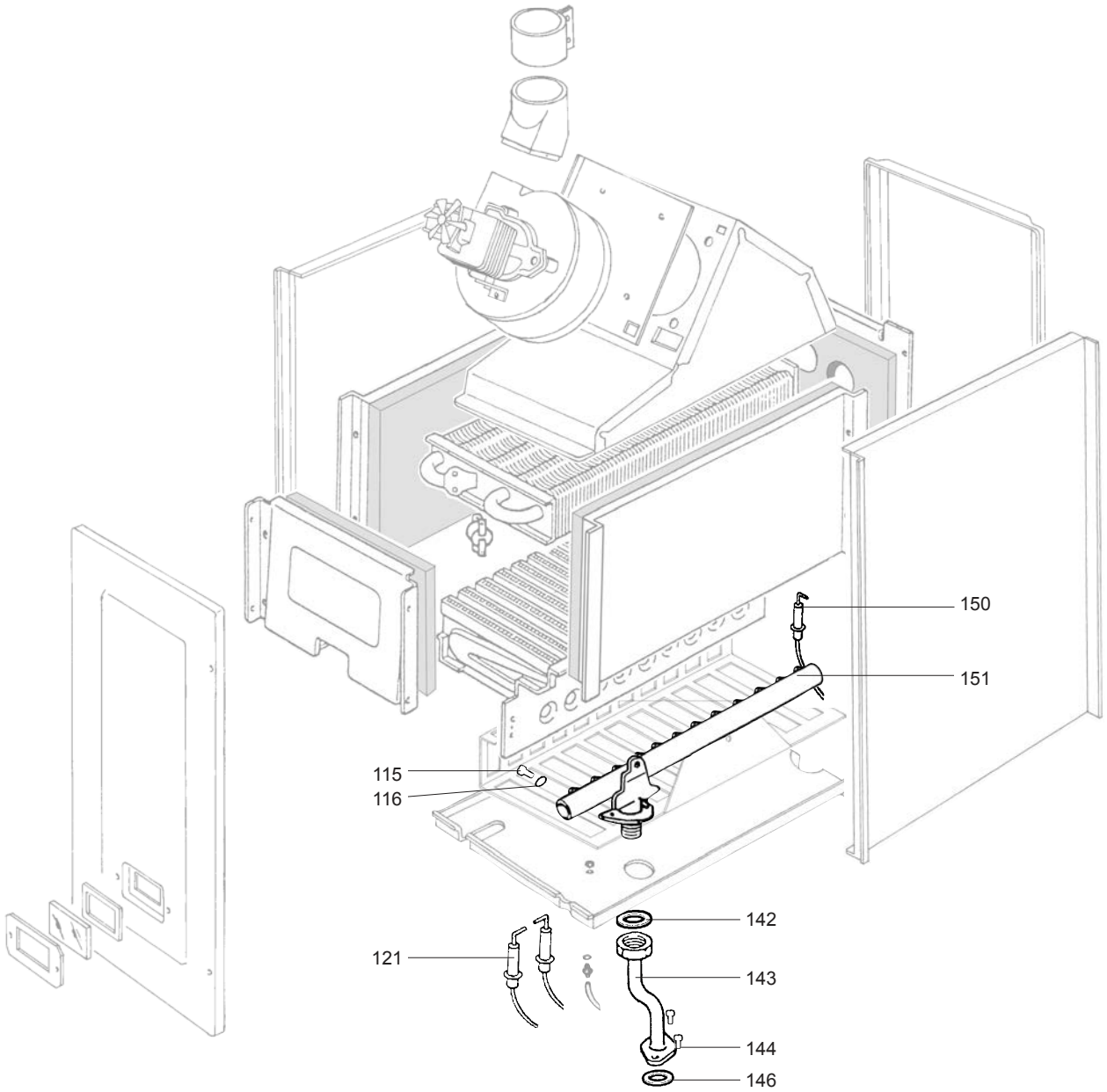
R8202218-07 - 21/03/2012

1	245831	NIAGARA 28 CF NAT	07/93	10/96
1	800245831	NIAGARA 28 CF NAT	11/96	08/98
1	800249131	NIAGARA 28 CF NAT	09/98	12/01
1	245821	NIAGARA 28 CF B/P	07/93	10/96
1	800245821	NIAGARA 28 CF B/P	11/96	08/98
1	800249121	NIAGARA 28 CF B/P	09/98	12/01
2	245837	NIAGARA 28 FF NAT	09/93	10/96
2	800245837	NIAGARA 28 FF NAT	11/96	10/97
2	800245838	NIAGARA 28 FF NAT	11/97	08/98
2	800249138	NIAGARA 28 FF NAT	09/98	12/01
2	245827	NIAGARA 28 FF B/P	09/93	10/96
2	800245827	NIAGARA 28 FF B/P	11/96	10/97
2	800245828	NIAGARA 28 FF B/P	11/97	08/98
2	800249128	NIAGARA 28 FF B/P	09/98	12/01
3	245731	NIAGARA 23 CF NAT	12/95	10/96
3	800245731	NIAGARA 23 CF NAT	11/96	08/98
3	800247731	NIAGARA 23 CF NAT	09/98	12/01
3	245721	NIAGARA 23 CF B/P	12/95	10/96
3	800245721	NIAGARA 23 CF B/P	11/96	08/98
3	800247721	NIAGARA 23 CF B/P	09/98	12/01
4	245736	NIAGARA 23 VMC NAT	12/95	10/96
4	800245736	NIAGARA 23 VMC NAT	11/96	08/98
4	800247736	NIAGARA 23 VMC NAT	09/98	12/01
5	800245737	NIAGARA 23 FF NAT	11/96	10/97
5	800245738	NIAGARA 23 FF NAT	11/97	08/98
5	800247738	NIAGARA 23 FF NAT	09/98	12/01
5	800245727	NIAGARA 23 FF B/P	11/96	10/97
5	800245728	NIAGARA 23 FF B/P	11/97	08/98
5	800247728	NIAGARA 23 FF B/P	09/98	12/01

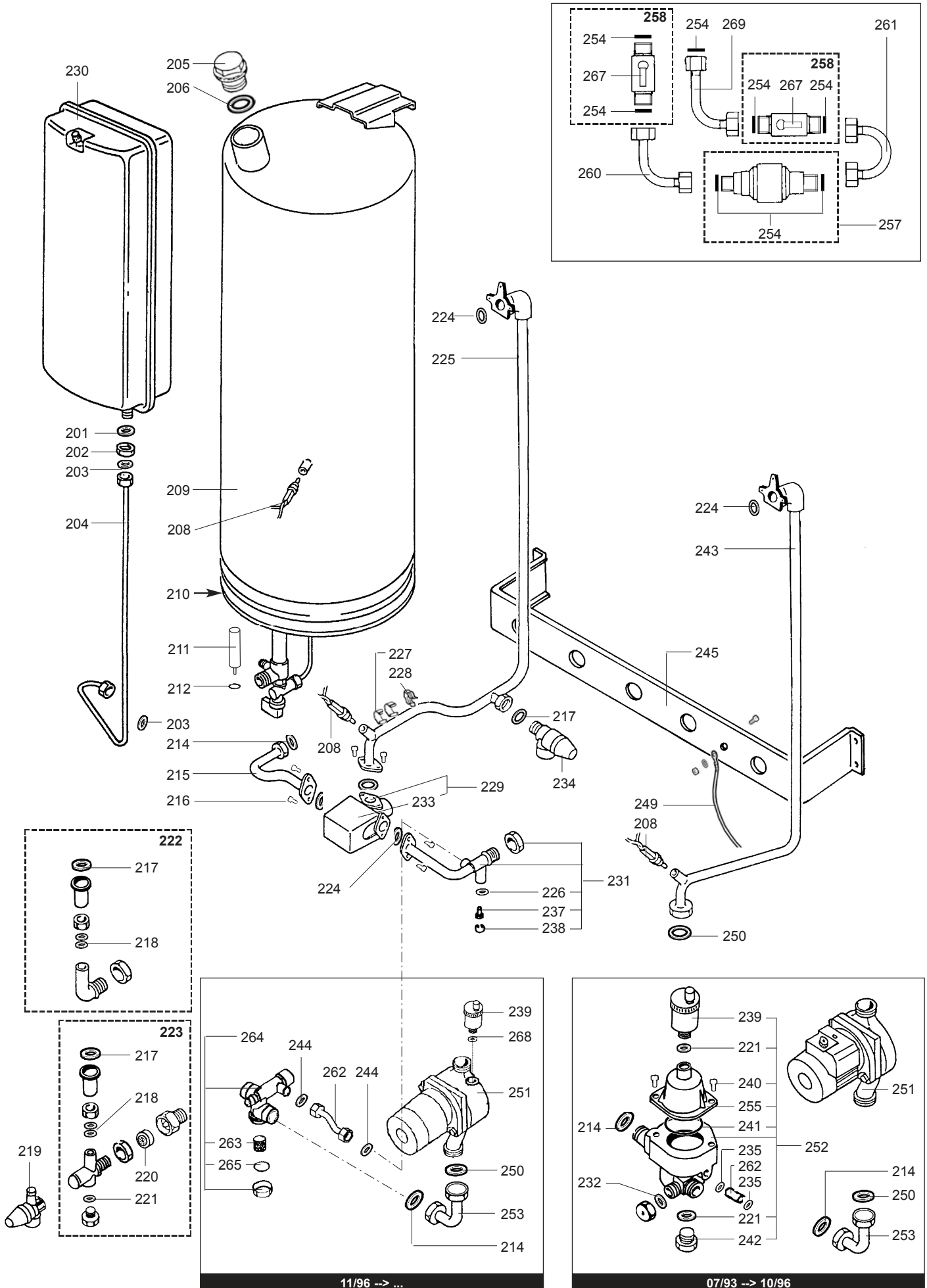
Col	Reference	Model type	Begin	End
-----	-----------	------------	-------	-----



☺⇒	Description	Manf. Pt. N	Type																		
				1	2	3	4	5	6	7	8	9	10	11	12	13	14	15	16	17	18
<b>0100</b>	<b>BURNER ASSEMBLY</b>																				
0101	DRAUGHT DIVERTER	60084291					•														
	DRAUGHT DIVERTER	60084299		•																	
	DRAUGHT DIVERTER	60084300					•														
0104	TAPPING SCREW D: 4.2-13	60084035		•	•	•	•	•													
0105	SPIRE CLIP	60084036		•	•	•	•	•													
0106	FAN ASSY	60084015							•												
	CABLE (/ Fan assy)	60084161					•												07/93	10/96	
	CABLE (/ Fan assy)	60084536					•			•									11/96	08/98	
	CABLE (/ Fan assy)	60084659					•			•									09/98		
0107	FLUE DUCT FIRST SECTION	60084573					•			•									07/93		
0108	CASE SIDE PANEL	60084171					•			•											
0109	INSULATING PLATES	60084050		•	•	•	•	•													
0110	COMBUSTION CHAMBER	60084049		•	•	•	•	•													
0111	TAPPING SCREW CBLX D: 4.2-9.5	61010125		•	•	•	•	•													
0112	TAPPING SCREW CBLZ D: 3.5-9.5	60054033					•			•											
0114	OVERHEAT THERMOSTAT	60084156		•															07/93	11/95	
	OVERHEAT THERMOSTAT 70C	60084292		•			•												12/95		
	OVERHEAT THERMOSTAT 50C	60084318							•										12/95		
0117	BURNER HEAD	60084302		•	•	•	•	•													
0118	CASE COVER ASSEMBLY	60084182					•			•											
	GASKET	60084189					•			•											
0119	GROMMET	60084177					•			•											
0122	SPIRE CLIP	60084174					•			•											
0128	OVERHEAT THERMOSTAT 105C	60084020		•	•	•	•	•													
	CABLE (/Overheat thermostat)	60084034		•	•														07/93	11/95	
	CABLE (/Overheat thermostat)	60084278		•	•	•	•												12/95	10/96	
	CABLE (/Therm.-safety-modula.)	60084543		•	•	•	•	•											11/96	01/00	
	CABLE (/Therm.-safety-modula.)	60084625		•	•	•	•	•											02/00		
0129	TAPPING SCREW D: 2.9-6.5	60084045		•	•	•	•	•													
0132	CASE TOP PANEL	60084162					•			•									07/93	10/97	
	CASE TOP PANEL	60084554					•			•									11/97	08/98	
	CASE TOP PANEL	60084585					•			•									09/98		
0134	TAPPING SCREW CBLZ D: 4.2-13	60079486					•			•											
0135	SCREW M 6-8	60084167					•			•											
0136	PLATE	60084168					•			•											
0137	TAPPING SCREW D: 4.2-9.5	60084032		•	•	•	•	•													
0138	TRAPPED NUT M 4	60084169					•			•											
0139	WASHER	60084031		•	•	•	•	•													
0141	GROMMET	60084184					•			•											
0145	AIR PRESSURE SWITCH KIT	60084210					•			•									07/93	10/97	
	AIR PRESSURE SWITCH KIT	60084568					•			•									11/97		
0148	CASE REAR PANEL	60084172					•			•											
0149	HEAT EXCHANGER (106 LAMELLES)	61007725		•	•	•	•	•													
0152	GRILLE	60084048		•		•	•														
0153	BASE - CASE	60084175					•			•									07/93	10/97	
	GASKET	60084176					•			•											
	BASE - CASE	60084558					•			•									11/97		
0156	SILICONE TUBE D: 4x7 L: 1M40	60081265-03					•			•											
0157	SCREW M 4-12	60042585-02					•			•											
0160	CROSS LIGHTING STRIP	60084257		•	•	•	•	•													
0168	RESTRICTOR	60084549					•			•									11/97	08/98	
	RESTRICTOR	60084583					•			•									09/98		
0169	GASKET	60084553					•			•									11/97		
0170	CLOSURE PLATE	60084552					•			•									11/97		
0171	FLUE ADAPTOR	60084550					•			•									11/97	08/98	
	FLUE ADAPTOR	60084600					•			•									09/98		
0172	GASKET	60084584					•			•									11/97		
0177	CONNECTION	60084559					•			•									11/97		
0179	CONNECTION	60084159					•			•									07/93	10/97	
	CONNECTION	60084586					•			•									11/97		
0180	BEND + VENTURI	60084631					•			•									11/97		



☉	Description	Manf. Pt. N	Type	<div style="display: flex; justify-content: space-between; align-items: center;"> <div style="writing-mode: vertical-rl; transform: rotate(180deg); font-size: 8px;">           NIAGARA 28 CF            NIAGARA 28 FF            NIAGARA 23 CF            NIAGARA 23 MMC            NIAGARA 23 FF         </div> <div style="border: 1px solid black; padding: 2px;">31</div> </div>																	
				1	2	3	4	5	6	7	8	9	10	11	12	13	14	15	16	17	18
0100	<b>BURNER ASSEMBLY</b>																				
0115	SCREW M 4-8	60084046		•	•	•	•	•													
0116	FAN WASHER D: 4	60028466-03		•	•	•	•	•													
0121	IGNITION ELECTRODE	60084018		•													07/93	11/95			
	IGNITION ELECTRODE ASSY	60084496		•	•	•	•	•									12/95	04/01			
	IGNITION ELECTRODE ASSY	60084497		•													07/93	11/95			
	IGNITION ELECTRODE ASSY	60084661		•	•	•	•	•									05/01				
0124	CABLE (/ Gas valve)	60084058		•	•	•	•	•									07/93	10/96			
	GAS VALVE 'SIT 822'	60084296		•	•	•	•	•									07/93	10/96			
	GAS VALVE 'SIT TANDEM'	60084524		•	•	•	•	•									11/96	01/00			
	CABLE (/ Gas valve)	60084537		•	•	•	•	•									11/96	01/00			
	GAS VALVE 'SIT SIGMA'	60084620		•	•	•	•	•									02/00				
	CABLE (/ Gas valve)	60084624		•	•	•	•	•									02/00				
0125	CABLE (/ Modulator)	60084061		•	•	•	•	•									07/93	10/96			
	MODULATOR KIT	60084297		•	•	•	•	•									07/93	10/96			
	MODULATOR KIT	60084525		•	•	•	•	•									11/96	01/00			
	CABLE (/Therm.-safety-modula.)	60084543		•	•	•	•	•									11/96	01/00			
	CABLE (/Therm.-safety-modula.)	60084625		•	•	•	•	•									02/00				
0126	IGNITER	60084649		•	•	•	•	•									05/01				
0142	GASKET D: 16.1-1.6	60084053		•	•	•	•	•									07/93	10/96			
	GASKET D: 24-17-2	60084259		•	•	•	•	•									11/96				
0143	TUBE (Mani.>Gas section)	60084508		•	•	•	•	•									11/96				
	TUBE D:16 (Mani.>Gas section)	60084220	B/P	•	•												07/93	11/95			
	TUBE (Mani.>Gas section)	60084285	B/P	•	•	•											12/95	10/96			
	TUBE D:5.5 (Mani.>Gas section)	60084054	NAT	•													07/93	11/95			
	TUBE D:5.7 (Mani.>Gas section)	60084185	NAT	•													07/93	11/95			
	TUBE (Mani.>Gas section)	60084285	NAT	•	•	•	•	•									12/95	10/96			
0144	SCREW M 5-10	60084055		•	•	•	•	•													
0146	GASKET D: 28.2-2.6	60084056		•	•	•	•	•									07/93	10/96			
	GASKET D: 22.2-2.6	60084509		•	•	•	•	•									11/96				
0150	IONIZATION ELECTRODE	60084019		•	•												07/93	11/95			
	IONIZATION ELECTRODE	60084282		•	•	•	•	•									12/95	04/01			
	IONIZATION ELECTRODE	60084662		•	•	•	•	•									05/01				
0151	MANIFOLD D: 0.69 LPG	60084304	B/P	•	•	•	•	•									12/95				
	MANIFOLD D: 1.30 NAT	60084051	NAT	•													07/93	11/95			
	MANIFOLD D: 1.18 NAT	60084283	NAT	•	•	•	•	•									12/95				
	MANIFOLD D: 1.30 NAT	60084284	NAT	•													12/95				
0159	GAS TUBE	60084067		•	•	•	•	•									07/93	10/96			
	GAS TUBE	60084526		•	•	•	•	•									11/96				
0164	NUT	60084309		•	•	•	•	•									12/95				
0165	GAS RESTRICTOR D: 3.30	60084319	B/P			•		•									12/95				
	GAS RESTRICTOR D: 4.60	60084310	NAT	•													12/95	01/00			
	GAS RESTRICTOR D: 5.10	60084311	NAT	•													12/95	01/00			
	GAS RESTRICTOR D: 4.30	60084312	NAT			•	•	•									12/95	01/00			
	GAS RESTRICTOR D: 4.40	60084626	NAT	•													02/00				
	GAS RESTRICTOR D: 4.90	60084627	NAT	•													02/00				
	GAS RESTRICTOR D: 4.10	60084628	NAT			•	•	•									02/00				
0166	SOLENOID VALVES	60084542		•	•	•	•	•									11/96	01/00			



11/96 -> ...

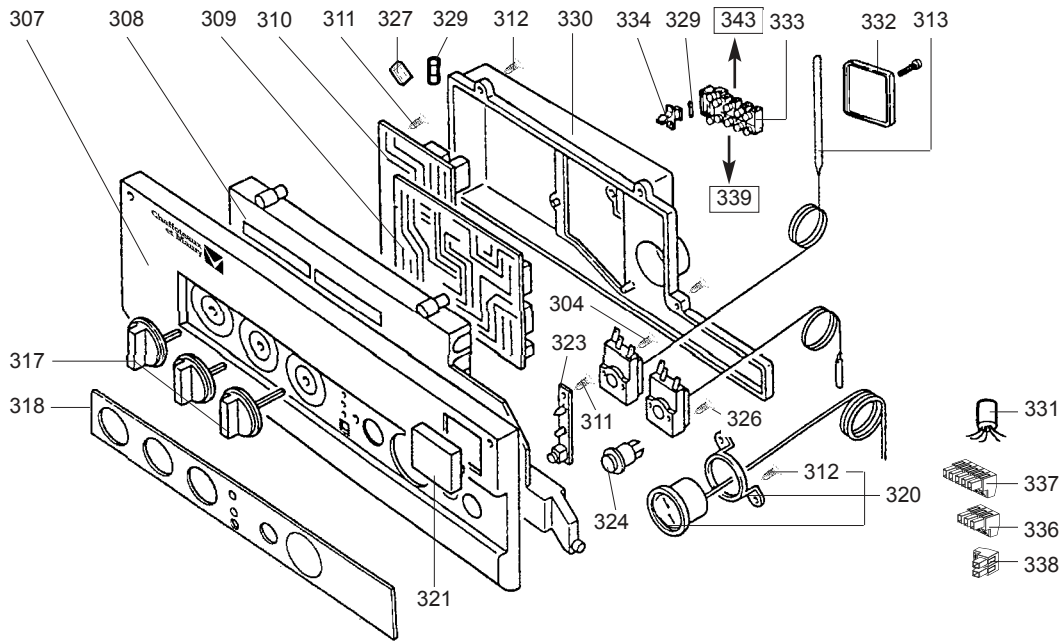
07/93 -> 10/96

☞	Description	Manf. Pt. N	Type	<div style="display: flex; justify-content: space-between; align-items: center;"> <div style="writing-mode: vertical-rl; transform: rotate(180deg); font-size: 8px; margin-right: 5px;">             NIAGARA-28 CF              NIAGARA-28 FF              NIAGARA-23 CF              NIAGARA-23 MMC              NIAGARA-23 FF           </div> <div style="border: 1px solid black; padding: 2px; font-size: 10px; font-weight: bold;">31</div> </div>																	
				1	2	3	4	5	6	7	8	9	10	11	12	13	14	15	16	17	18

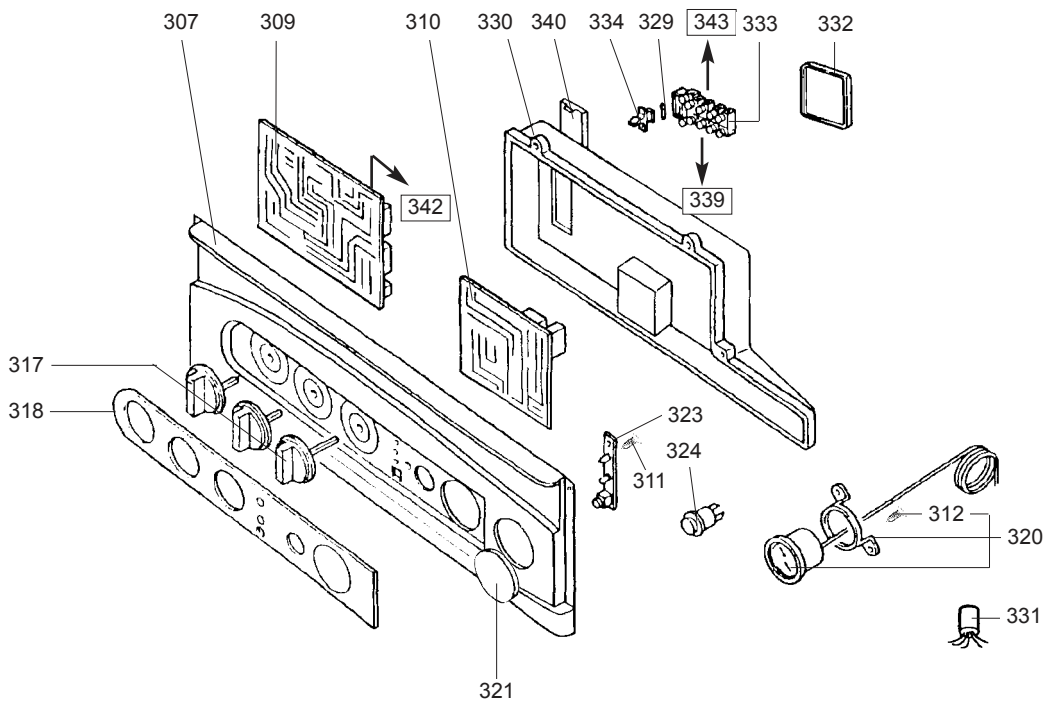
0200	<b>COCKS &amp; COPPER PLATE</b>																	
0201	FAN WASHER	60084075		••	••	••												
0202	NUT	60084076		••	••	••												
0203	GASKET	60084637		••	••	••												
0204	TUBE (Expan vessel > Fil. tap)	60084078		••	••	••												
0205	PLUG	60084079		••	••	••											07/93	11/95
0206	O-RING D: 26.64-2.62	60084080		••	••	••											07/93	11/95
0208	THERMISTOR TEMPERATURE SENSOR	60084021		••	••	••	••											
	CABLE (/ Thermistor tem. sen.)	60084082		••	••	••											07/93	10/96
	CABLE (/Therm.-safety-modula.)	60084543		••	••	••											11/96	01/00
	CABLE (/Therm.-safety-modula.)	60084625		••	••	••											02/00	
0209	HOT WATER TANK 60L	60084083		••	••	••												
0210	GASKET	60084001		••	••	••												
0211	ANODE 22X200 M8	319521		••	••	••												
0212	O-RING	289442		••	••	••												
0214	GASKET	60084087		••	••	••											07/93	10/96
	GASKET D: 24-17-2	60084259		••	••	••											11/96	
0215	TUBE	60084088		••	••	••												
0216	SCREW M 5-10	60084055		••	••	••												
0217	GASKET D:18-12-2	60084258		••	••	••												
0218	GASKET D:13.94-2.62	60084093		••	••	••												
0219	PRESSURE RELIEF VALVE 7 BARS	60084218		••	••	••												
0220	FLOW REGULATORE 12L/MN	60084011		••	••	••												
	FLOW REGULATORE 10L/MN	60084571		••	••	••												
0221	GASKET D: 16.1-1.6	60084053		••	••	••												
0222	CONNECTION KIT	60084107		••	••	••												
0223	CONNECTION KIT	60084109		••	••	••												
0224	GASKET D: 22-3	60084089		••	••	••												
0225	TUBE (Valve > Heat exchanger)	60084112		••	••	••												
0226	GASKET	60084638		••	••	••												
0227	CLIP	60078502		••	••	••											07/93	10/96
0228	CLIP	60084124		••	••	••												
0229	THREE-WAY VALVE ASSY	60084007		••	••	••												
0230	HEATING EXPANSION VESSEL	60084074		••	••	••												
0231	TUBE (Valve > Rod)	60084102		••	••	••												
0232	SHEET GASKET D: 11-5-1.5	60061853-07		••	••	••												
0233	MOTOR - THREE-WAY VALVE	60084618		••	••	••												
0234	PRESSURE RELIEF VALVE 3 BARS	60084009		••	••	••												
0235	GASKET	60084101		••	••	••												
0237	BY-PASS	60084104		••	••	••												
0238	CIRCLIPS	60084105		••	••	••												
0239	AIR SEPARATOR	60084002		••	••	••											07/93	10/96
	AIR SEPARATOR	60084512		••	••	••											11/96	
0240	SCREW M 5-12	60084106		••	••	••											07/93	10/96
0241	GASKET D: 56.8-2.62	60084108		••	••	••											07/93	10/96
0242	PLUG	60084099		••	••	••											07/93	10/96
0243	TUBE (Motor > Heat exchanger)	60084114		••	••	••											07/93	08/98
	TUBE (Motor > Heat exchanger)	60084588		••	••	••											09/98	
0244	GASKET	60084637		••	••	••												
0245	VALVES & FITTINGS ROD ASSY	60084115		••	••	••												
0249	EARTH WIRE	60084119		••	••	••												
0250	GASKET	60084400		••	••	••												
0251	PUMP	60084028		••	••	••											07/93	10/96
	CABLE (/ Pump)	60084121		••	••	••												
	PUMP	60084513		••	••	••											11/96	
0252	AIR SEPARATOR ASSEMBLY	60084110		••	••	••											07/93	10/96
0253	TUBE (Pump > Collector)	60084122		••	••	••											07/93	10/96
	TUBE (Pump > Collector)	60084527		••	••	••											11/96	
0254	GASKET	60084222		••	••	••												
0255	AIR SEPAPATOR COVER	60084612		••	••	••											07/93	10/96
0257	DISCONNECTOR KIT	60084617		••	••	••												
0258	TAP KIT	60084226		••	••	••												
0260	TUBE (Tap > Disconnecter)	60084228		••	••	••												
0261	TUBE (Tap > Disconnecter)	60084229		••	••	••												
0262	BYPASS TUBE	60084528		••	••	••											11/96	
	BYPASS TUBE	60084572		••	••	••											07/93	10/96
0263	FILTER	60084529		••	••	••											11/96	
0264	CONNECTION	60084609		••	••	••												
0265	GASKET	60084531		••	••	••											11/96	
0267	TAP KNOB	60084325		••	••	••												
0268	GASKET D: 14-1.78	60084511		••	••	••												
0269	TUBE (Tap > Disconnecter)	61400138		••	••	••												

NIAGARA

Domestic Gas Boilers



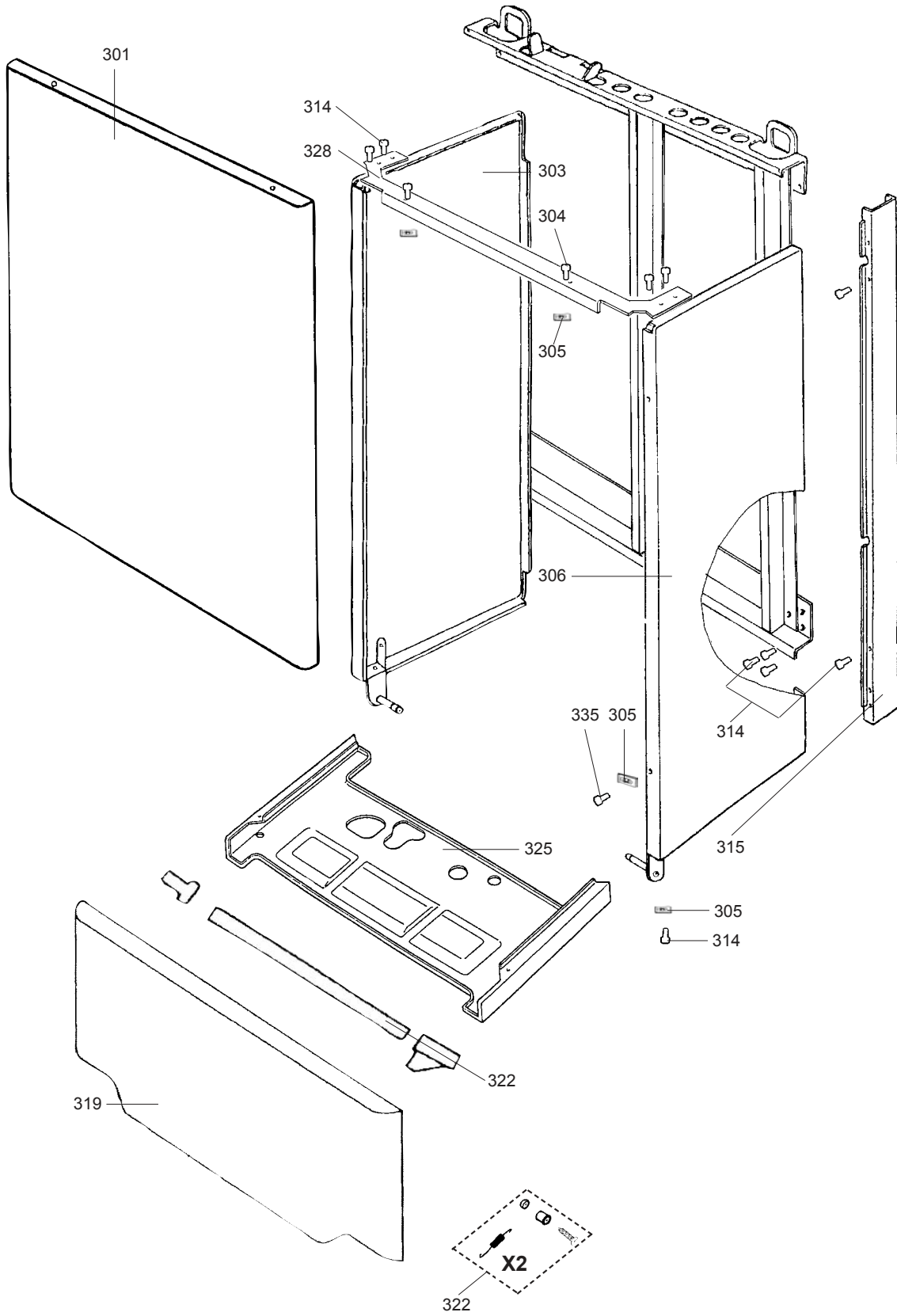
07/93 -> 08/98



09/98 -> ...



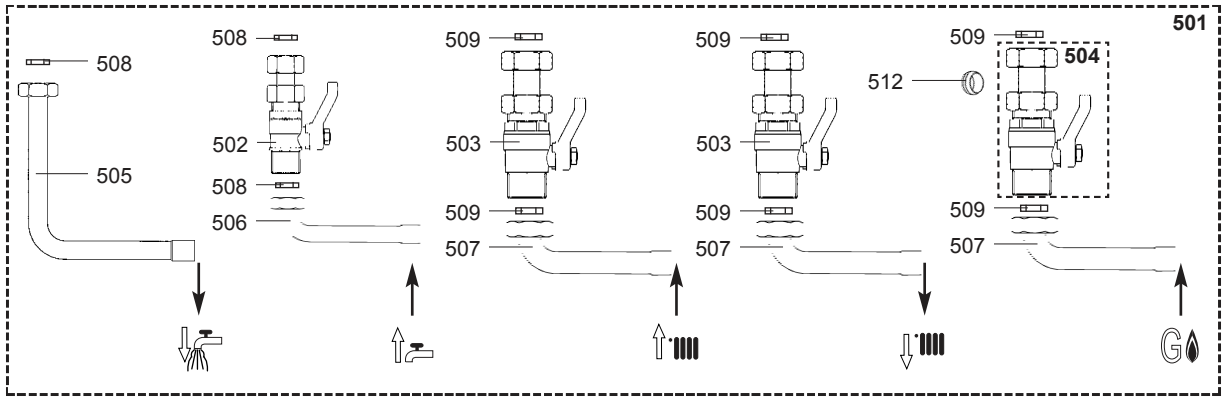




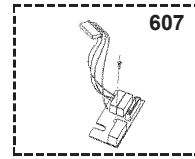
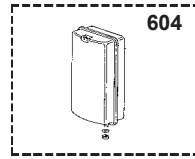
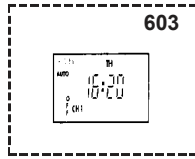
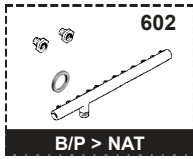
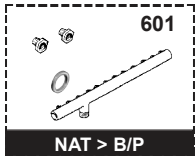
☉	Description	Manf. Pt. N	Type	NIAGARA 28 CF NIAGARA 28 FF NIAGARA 23 CF NIAGARA 23 MMC NIAGARA 23 FF														31
				1	2	3	4	5	6	7	8	9	10	11	12	13	14	

0300	<b>FRONT CASE</b>																																								
0301	FRONT PANEL	60084098		●	●	●	●																														07/93	08/98			
	FRONT PANEL	60084582		●	●	●	●																															09/98			
0303	LEFT SIDE PANEL	60084125		●	●	●	●																															07/93	08/98		
	LEFT SIDE PANEL	60084580		●	●	●	●																																09/98		
0304	TAPPING SCREW D: 3.5-9.5	60084126		●	●	●	●																																		
0305	SPIRE CLIP	60084036		●	●	●	●																																		
0306	RIGHT SIDE PANEL	60084128		●	●	●	●																																07/93	08/98	
	RIGHT SIDE PANEL	60084581		●	●	●	●																																09/98		
0314	TAPPING SCREW CBLX D: 4.2-9.5	61010125		●	●	●	●																																		
0315	PILLAR	60084135		●	●	●	●																																		
0319	DOOR	60084141		●	●	●	●																																07/93	08/98	
	DOOR	60084596		●	●	●	●																																	09/98	
0322	FIXING KIT	60084235		●	●	●	●																																	07/93	08/98
	FIXING KIT	60084604		●	●	●	●																																	09/98	
0325	BOTTOM PART	60084137		●	●	●	●																																	07/93	10/96
	BOTTOM PART	60084523		●	●	●	●																																	11/96	
0328	TOP STAY PLATE	60084236		●	●	●	●																																		
0335	TAPPING SCREW D: 4.2-16	60084535		●	●	●	●																																	11/96	

500



600



NIAGARA

Domestic Gas Boilers

☉⇒	Description	Manf. Pt. N	Type	<div style="display: flex; justify-content: space-between; font-size: small;"> <span>NIAGARA 28 CF</span> <span>NIAGARA 28 FF</span> <span>NIAGARA 23 CF</span> <span>NIAGARA 23 MMC</span> </div>																		31
				1	2	3	4	5	6	7	8	9	10	11	12	13	14	15	16	17	18	
<b>0500</b>	<b>JIG PLATE &amp; PIPE FITTING</b>																					
0501	CONNECTION KIT	61017396		•	•	•	•	•														
0502	COLD WATER SERVICE TAP KIT	60084250		•	•	•	•	•														
0503	WATER FLOW & RETURN SERVI. TAP	60084251		•	•	•	•	•														
0504	GAS SERVICE TAP KIT	60084252		•	•	•	•	•														
0505	HOT WATER PIPE	60084253		•	•	•	•	•														
0506	COLD WATER PIPE	60084254		•	•	•	•	•														
0507	WATER FLOW & RETURN-GAS PIPE	60084255		•	•	•	•	•														
0508	GASKET D:18-12-2	60084258		•	•	•	•	•														
0509	GASKET D: 24-17-2	60084259		•	•	•	•	•														
0512	COMPRESSION OLIVE D: 18	60001095		•	•	•	•	•														
<b>0600</b>	<b>ACCESSORIES</b>																					
0601	CONVERSION KIT NAT > LPG	60084149		•	•															07/93	11/95	
	CONVERSION KIT NAT > LPG	60084314		•	•															12/95	01/00	
	CONVERSION KIT NAT > LPG	60084321				•		•												12/95	01/00	
	CONVERSION KIT NAT > LPG	61303170		•	•															02/00		
	CONVERSION KIT NAT > LPG	61303171				•		•												02/00		
0602	CONVERSION KIT BUT/PROP > NAT	60084150		•																07/93	11/95	
	CONVERSION KIT BUT/PROP > NAT	60084207			•															07/93	11/95	
	CONVERSION KIT BUT/PROP > NAT	60084315		•																12/95	01/00	
	CONVERSION KIT BUT/PROP > NAT	60084316			•															12/95	01/00	
	CONVERSION KIT BUT/PROP > NAT	60084322				•		•												12/95	01/00	
	CONVERSION KIT BUT/PROP > NAT	61303550		•																02/00		
	CONVERSION KIT BUT/PROP > NAT	61303551			•															02/00		
	CONVERSION KIT BUT/PROP > NAT	61303552				•		•												02/00		
0603	DIGITAL TIMECLOCK	61008962		•	•	•	•	•												07/93	08/98	
	MECANICAL TIMECLOCK	61016745		•	•	•	•	•												09/98		
0604	EXPANSION VESSEL KIT	61008966		•	•	•	•	•														
0607	PHASE INSULATOR KIT	60084619		•	•	•	•	•												11/96	08/98	

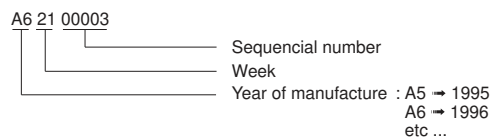
## LIST OF THE ABBREVIATIONS

HW .....	: Hot water.
CW .....	: Cold water.
C .....	: Ceramic resistance (normal heating).
Ca .....	: Ceramic resistance (accelerated heating)
TP .....	: Immersion heater.
1F .....	: With fittings.
2F .....	: Without fittings.
3F .....	: With fittings and another outlet connection.
AMI .....	: With mixing valve.
SMI .....	: Without mixing valve.
PUISS .....	: Power of th appliance.
PN .....	: Appliance with normal pression.
LP .....	: Appliance with low pression.
PV .....	: Appliance with variable power.
PF .....	: Appliance with fixed power.

## IDENTIFICATION PLATE

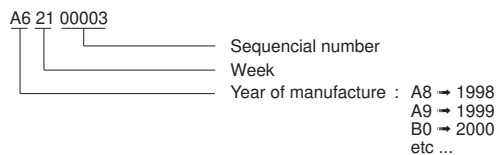
### SERIAL NUMBER

9 Characters :

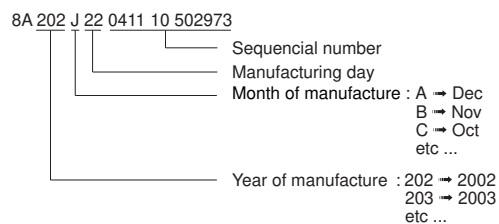


OR

9 Characters :



20 Characters :



The indications mentioned on the prices, commercial or technical literature and the scheme are written for your guidance and are available at a given time. The CONSTRUCTOR retains the power to modify the presentation, the form, the size, the conception or the material of the products.