

# SPARE PARTS EXPLODED VIEW GAS WALL BOILERS

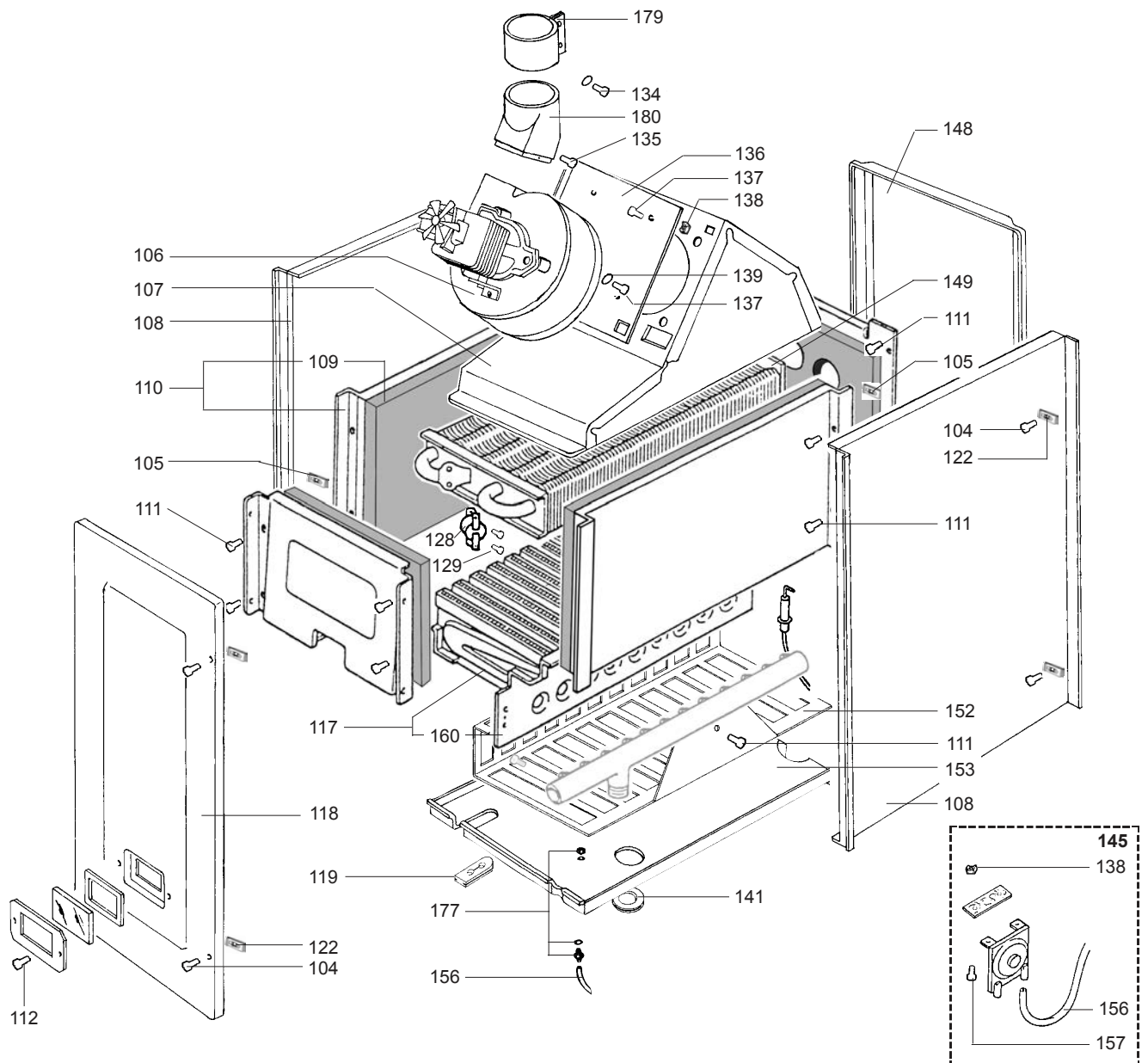
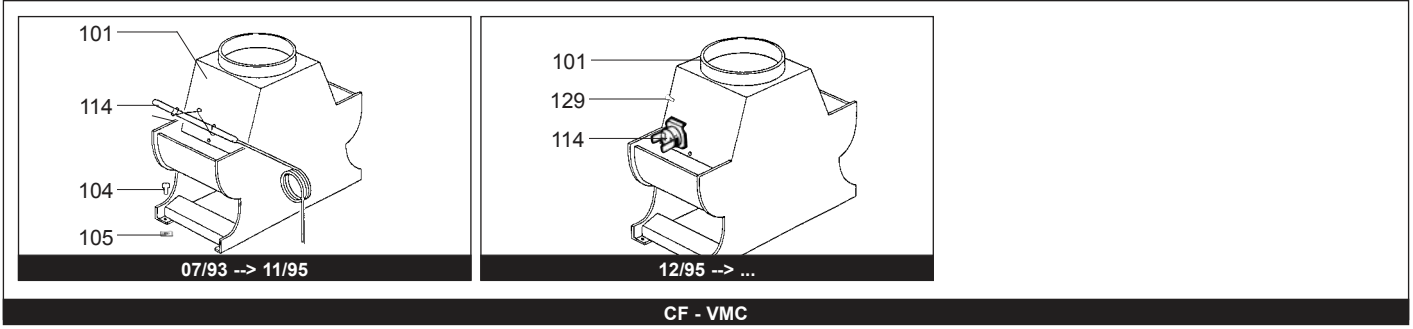
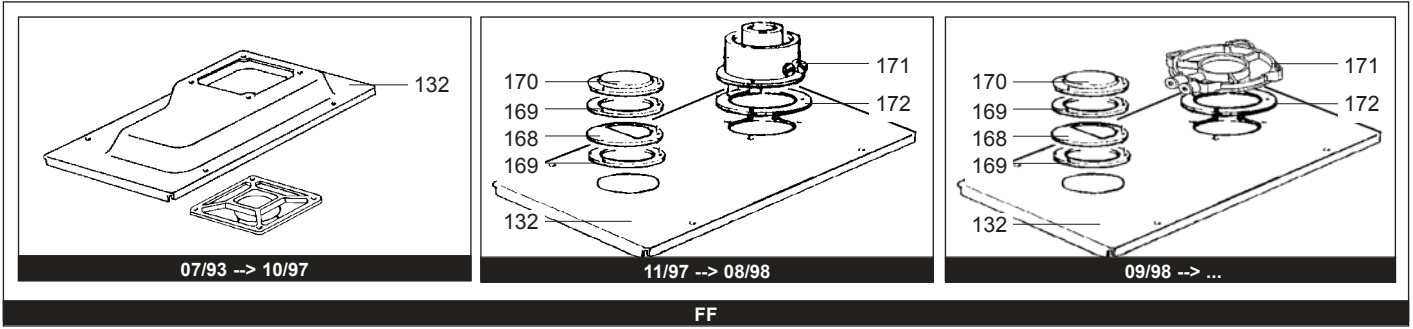
Model


## **NIAGARA**

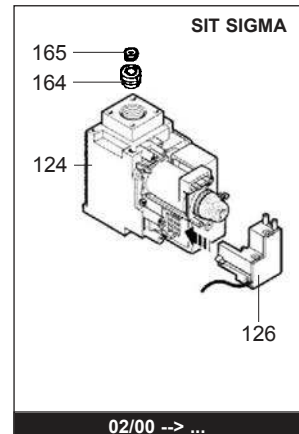
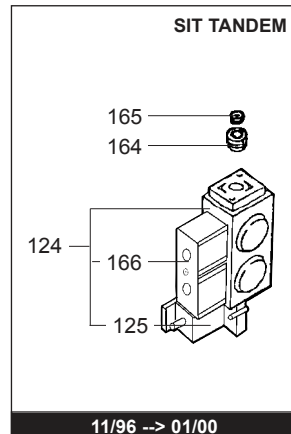
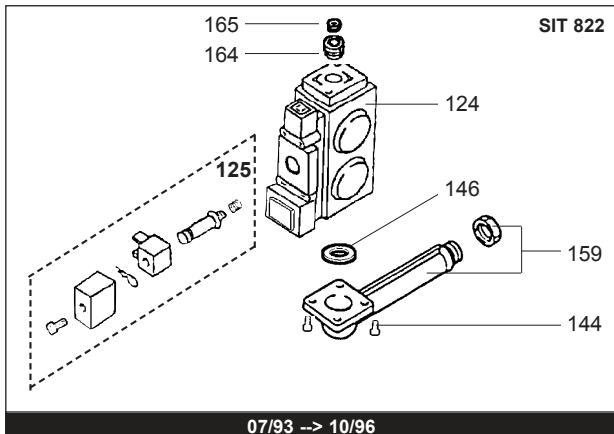
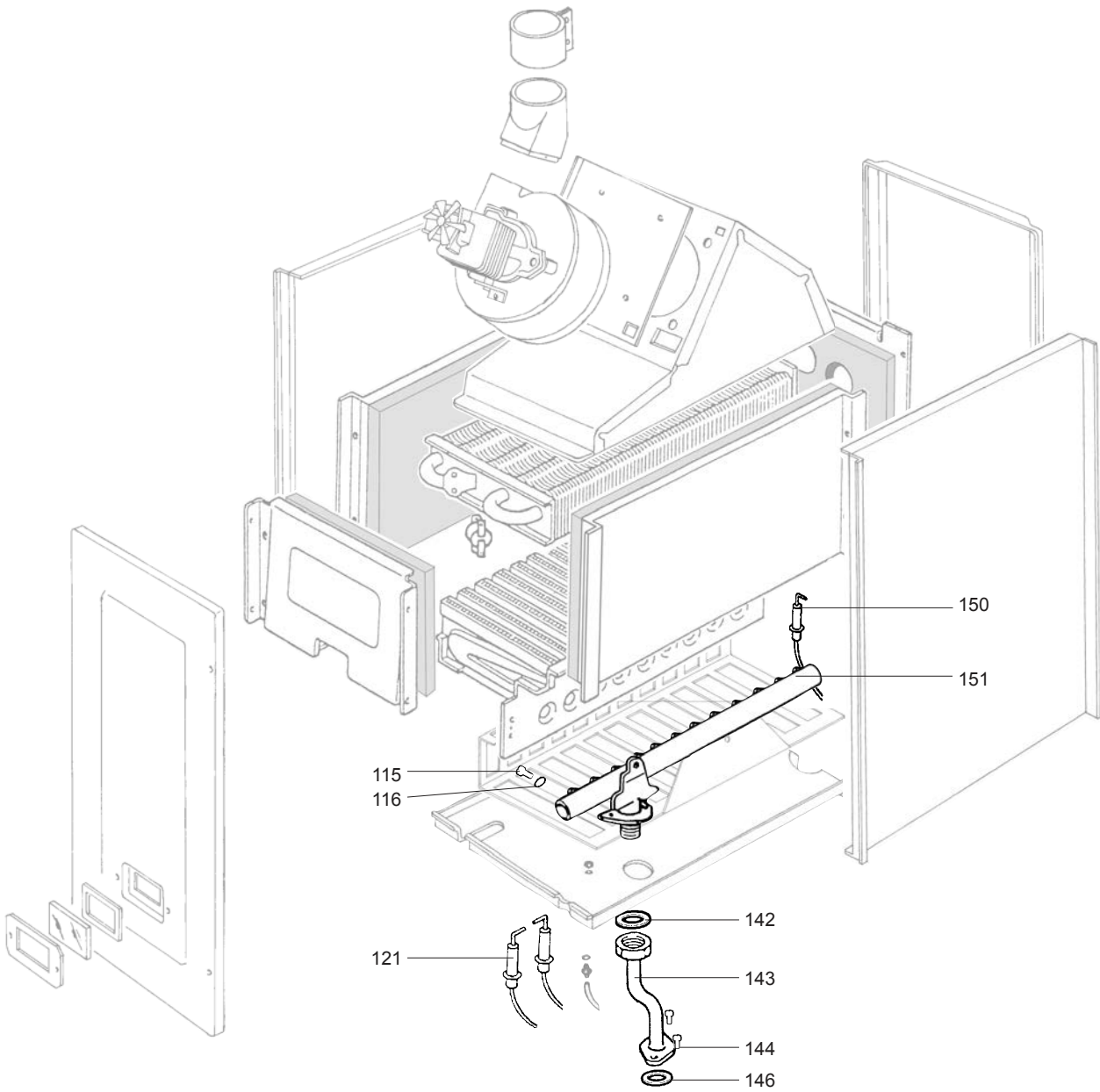
R8202218-07 - 21/03/2012

1	245831	NIAGARA 28 CF NAT	07/93	10/96
1	800245831	NIAGARA 28 CF NAT	11/96	08/98
1	800249131	NIAGARA 28 CF NAT	09/98	12/01
1	245821	NIAGARA 28 CF B/P	07/93	10/96
1	800245821	NIAGARA 28 CF B/P	11/96	08/98
1	800249121	NIAGARA 28 CF B/P	09/98	12/01
2	245837	NIAGARA 28 FF NAT	09/93	10/96
2	800245837	NIAGARA 28 FF NAT	11/96	10/97
2	800245838	NIAGARA 28 FF NAT	11/97	08/98
2	800249138	NIAGARA 28 FF NAT	09/98	12/01
2	245827	NIAGARA 28 FF B/P	09/93	10/96
2	800245827	NIAGARA 28 FF B/P	11/96	10/97
2	800245828	NIAGARA 28 FF B/P	11/97	08/98
2	800249128	NIAGARA 28 FF B/P	09/98	12/01
3	245731	NIAGARA 23 CF NAT	12/95	10/96
3	800245731	NIAGARA 23 CF NAT	11/96	08/98
3	800247731	NIAGARA 23 CF NAT	09/98	12/01
3	245721	NIAGARA 23 CF B/P	12/95	10/96
3	800245721	NIAGARA 23 CF B/P	11/96	08/98
3	800247721	NIAGARA 23 CF B/P	09/98	12/01
4	245736	NIAGARA 23 VMC NAT	12/95	10/96
4	800245736	NIAGARA 23 VMC NAT	11/96	08/98
4	800247736	NIAGARA 23 VMC NAT	09/98	12/01
5	800245737	NIAGARA 23 FF NAT	11/96	10/97
5	800245738	NIAGARA 23 FF NAT	11/97	08/98
5	800247738	NIAGARA 23 FF NAT	09/98	12/01
5	800245727	NIAGARA 23 FF B/P	11/96	10/97
5	800245728	NIAGARA 23 FF B/P	11/97	08/98
5	800247728	NIAGARA 23 FF B/P	09/98	12/01

Col	Reference	Model type	Begin	End
-----	-----------	------------	-------	-----



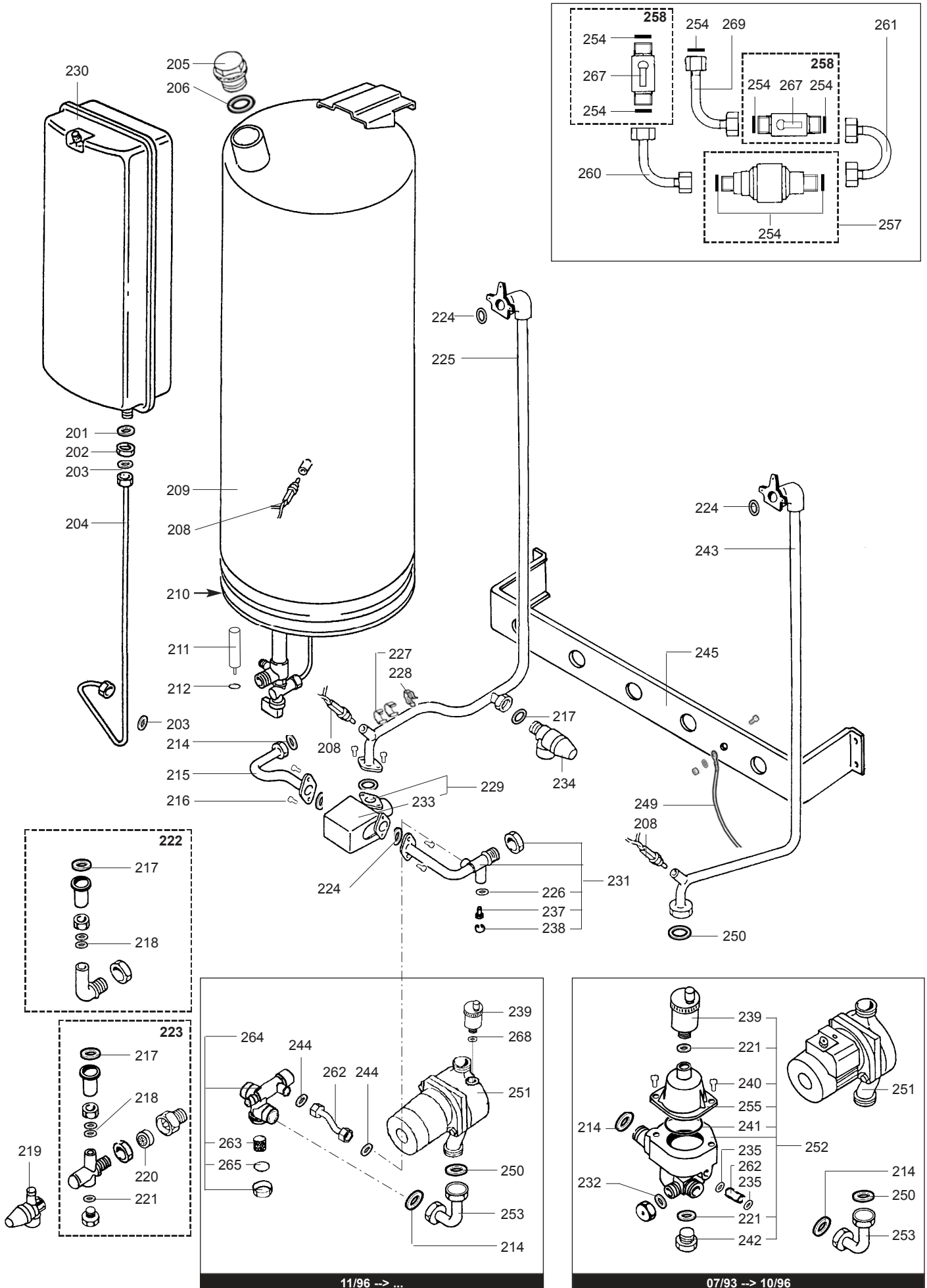
	Description	Manf. Pt. N	Type																			 <b>31</b>	
				1	2	3	4	5	6	7	8	9	10	11	12	13	14	15	16	17	18		
<b>0100</b>	<b>BURNER ASSEMBLY</b>																						
0101	DRAUGHT DIVERTER	60084291							●														
	DRAUGHT DIVERTER	60084299		●																			
	DRAUGHT DIVERTER	60084300					●																
0104	TAPPING SCREW D: 4.2-13	60084035		●	●	●	●	●															
0105	SPIRE CLIP	60084036		●	●	●	●	●															
0106	FAN ASSY	60084015							●														
	CABLE (/ Fan assy)	60084161						●												07/93	10/96		
	CABLE (/ Fan assy)	60084536						●				●								11/96	08/98		
	CABLE (/ Fan assy)	60084659						●				●								09/98			
0107	FLUE DUCT FIRST SECTION	60084573						●			●									07/93			
0108	CASE SIDE PANEL	60084171						●			●												
0109	INSULATING PLATES	60084050		●	●	●	●	●															
0110	COMBUSTION CHAMBER	60084049		●	●	●	●	●															
0111	TAPPING SCREW CBLX D: 4.2-9.5	61010125		●	●	●	●	●															
0112	TAPPING SCREW CBLZ D: 3.5-9.5	60054033						●			●												
0114	OVERHEAT THERMOSTAT	60084156						●												07/93	11/95		
	OVERHEAT THERMOSTAT 70C	60084292						●		●										12/95			
	OVERHEAT THERMOSTAT 50C	60084318									●									12/95			
0117	BURNER HEAD	60084302		●	●	●	●	●															
0118	CASE COVER ASSEMBLY	60084182						●			●												
	GASKET	60084189						●			●												
0119	GROMMET	60084177						●			●												
0122	SPIRE CLIP	60084174						●			●												
0128	OVERHEAT THERMOSTAT 105C	60084020		●	●	●	●	●															
	CABLE (/Overheat thermostat)	60084034		●	●															07/93	11/95		
	CABLE (/Overheat thermostat)	60084278		●	●		●	●												12/95	10/96		
	CABLE (/Therm.-safety-modula.)	60084543		●	●		●	●	●											11/96	01/00		
	CABLE (/Therm.-safety-modula.)	60084625		●	●		●	●	●											02/00			
0129	TAPPING SCREW D: 2.9-6.5	60084045		●	●	●	●	●															
0132	CASE TOP PANEL	60084162						●			●									07/93	10/97		
	CASE TOP PANEL	60084554						●			●									11/97	08/98		
	CASE TOP PANEL	60084585						●			●									09/98			
0134	TAPPING SCREW CBLZ D: 4.2-13	60079486						●			●												
0135	SCREW M 6-8	60084167						●			●												
0136	PLATE	60084168						●			●												
0137	TAPPING SCREW D: 4.2-9.5	60084032		●	●	●	●	●															
0138	TRAPPED NUT M 4	60084169						●			●												
0139	WASHER	60084031		●	●	●	●	●															
0141	GROMMET	60084184						●			●												
0145	AIR PRESSURE SWITCH KIT	60084210						●			●									07/93	10/97		
	AIR PRESSURE SWITCH KIT	60084568						●			●									11/97			
0148	CASE REAR PANEL	60084172						●			●												
0149	HEAT EXCHANGER (106 LAMELLES)	61007725		●	●	●	●	●															
0152	GRILLE	60084048		●		●	●																
0153	BASE - CASE	60084175						●			●									07/93	10/97		
	GASKET	60084176						●			●												
	BASE - CASE	60084558						●			●									11/97			
0156	SILICONE TUBE D: 4x7 L: 1M40	60081265-03						●			●												
0157	SCREW M 4-12	60042585-02						●			●												
0160	CROSS LIGHTING STRIP	60084257		●	●	●	●	●															
0168	RESTRICTOR	60084549						●			●									11/97	08/98		
	RESTRICTOR	60084583						●			●									09/98			
0169	GASKET	60084553						●			●									11/97			
0170	CLOSURE PLATE	60084552						●			●									11/97			
0171	FLUE ADAPTOR	60084550						●			●									11/97	08/98		
	FLUE ADAPTOR	60084600						●			●									09/98			
0172	GASKET	60084584						●			●									11/97			
0177	CONNECTION	60084559						●			●									11/97			
0179	CONNECTION	60084159						●			●									07/93	10/97		
	CONNECTION	60084586						●			●									11/97			
0180	BEND + VENTURI	60084631						●			●									11/97			



NIAGARA 28 CF  
 NIAGARA 28 FF  
 NIAGARA 23 CF  
 NIAGARA 23 MMC  
 NIAGARA 23 FF

31

Description	Manf. Pt. N	Type																		
			1	2	3	4	5	6	7	8	9	10	11	12	13	14	15	16	17	18
<b>0100 BURNER ASSEMBLY</b>																				
0115 SCREW M 4-8	60084046		●	●	●	●														
0116 FAN WASHER D: 4	60028466-03		●	●	●	●	●													
0121 IGNITION ELECTRODE	60084018		●																07/93	11/95
IGNITION ELECTRODE ASSY	60084496		●	●	●	●	●												12/95	04/01
IGNITION ELECTRODE ASSY	60084497		●																07/93	11/95
IGNITION ELECTRODE ASSY	60084661		●	●	●	●	●												05/01	
0124 CABLE (/ Gas valve)	60084058		●	●	●	●													07/93	10/96
GAS VALVE 'SIT 822'	60084296		●	●	●	●													07/93	10/96
GAS VALVE 'SIT TANDEM'	60084524		●	●	●	●	●												11/96	01/00
CABLE (/ Gas valve)	60084537		●	●	●	●	●												11/96	01/00
GAS VALVE 'SIT SIGMA'	60084620		●	●	●	●	●												02/00	
CABLE (/ Gas valve)	60084624		●	●	●	●	●												02/00	
0125 CABLE (/ Modulator)	60084061		●	●	●	●													07/93	10/96
MODULATOR KIT	60084297		●	●	●	●													07/93	10/96
MODULATOR KIT	60084525		●	●	●	●	●												11/96	01/00
CABLE (/Therm.-safety-modula.)	60084543		●	●	●	●	●												11/96	01/00
CABLE (/Therm.-safety-modula.)	60084625		●	●	●	●	●												02/00	
0126 IGNITER	60084649		●	●	●	●	●												05/01	
0142 GASKET D: 16.1-1.6	60084053		●	●	●	●													07/93	10/96
GASKET D: 24-17-2	60084259		●	●	●	●	●												11/96	
0143 TUBE (Mani.>Gas section)	60084508		●	●	●	●	●												11/96	
TUBE D:16 (Mani.>Gas section)	60084220	B/P	●	●															07/93	11/95
TUBE (Mani.>Gas section)	60084285	B/P	●	●	●														12/95	10/96
TUBE D:5.5 (Mani.>Gas section)	60084054	NAT	●																07/93	11/95
TUBE D:5.7 (Mani.>Gas section)	60084185	NAT	●																07/93	11/95
TUBE (Mani.>Gas section)	60084285	NAT	●	●	●	●													12/95	10/96
0144 SCREW M 5-10	60084055		●	●	●	●	●													
0146 GASKET D: 28.2-2.6	60084056		●	●	●	●													07/93	10/96
GASKET D: 22.2-2.6	60084509		●	●	●	●	●												11/96	
0150 IONIZATION ELECTRODE	60084019		●	●															07/93	11/95
IONIZATION ELECTRODE	60084282		●	●	●	●	●												12/95	04/01
IONIZATION ELECTRODE	60084662		●	●	●	●	●												05/01	
0151 MANIFOLD D: 0.69 LPG	60084304	B/P	●	●	●		●												12/95	
MANIFOLD D: 1.30 NAT	60084051	NAT	●																07/93	11/95
MANIFOLD D: 1.18 NAT	60084283	NAT	●	●	●	●													12/95	
MANIFOLD D: 1.30 NAT	60084284	NAT	●																12/95	
0159 GAS TUBE	60084067		●	●	●	●													07/93	10/96
GAS TUBE	60084526		●	●	●	●	●												11/96	
0164 NUT	60084309		●	●	●	●	●												12/95	
0165 GAS RESTRICTOR D: 3.30	60084319	B/P			●		●												12/95	
GAS RESTRICTOR D: 4.60	60084310	NAT	●																12/95	01/00
GAS RESTRICTOR D: 5.10	60084311	NAT	●																12/95	01/00
GAS RESTRICTOR D: 4.30	60084312	NAT			●	●	●												12/95	01/00
GAS RESTRICTOR D: 4.40	60084626	NAT	●																02/00	
GAS RESTRICTOR D: 4.90	60084627	NAT	●																02/00	
GAS RESTRICTOR D: 4.10	60084628	NAT			●	●	●	●											02/00	
0166 SOLENOID VALVES	60084542		●	●	●	●	●												11/96	01/00

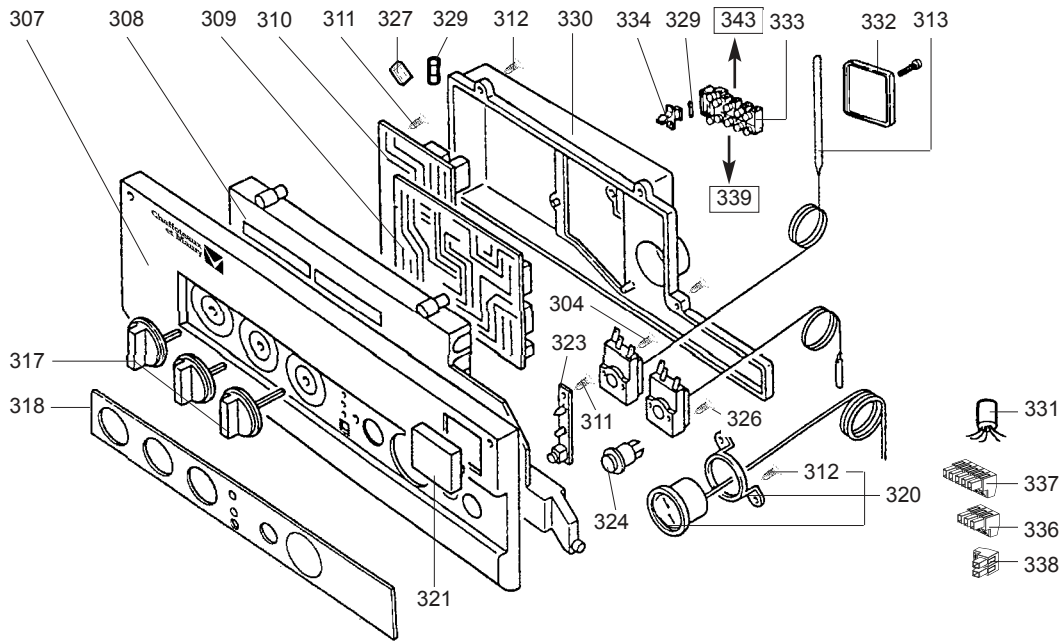


11/96 -> ...

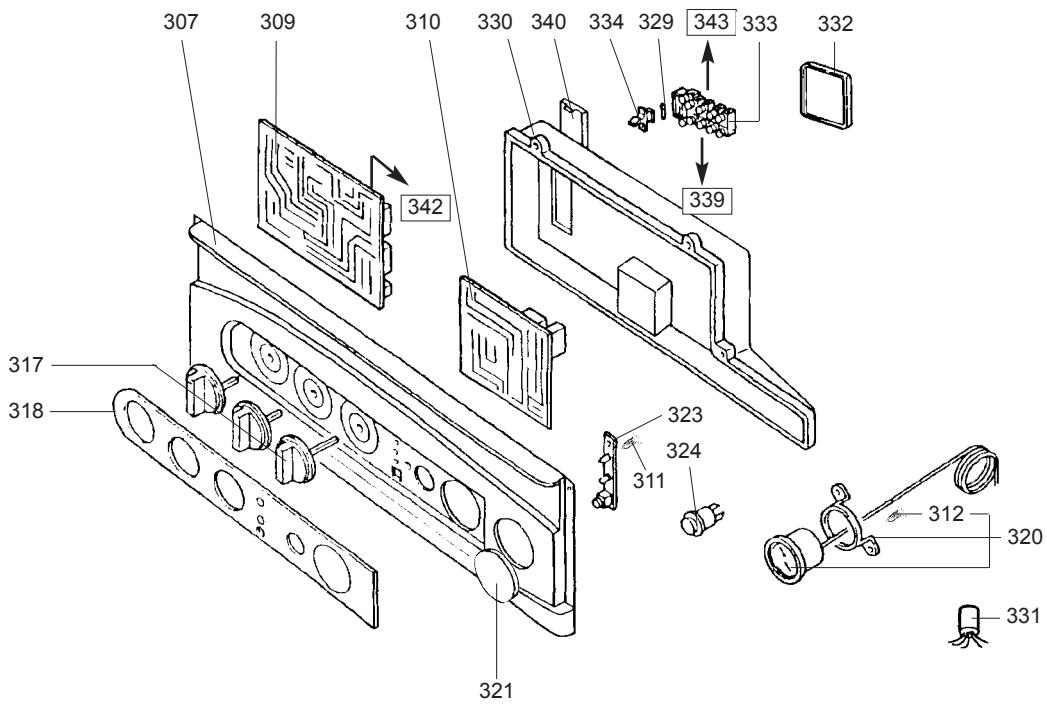
07/93 -> 10/96



☉→	Description	Manf. Pt. N	Type																		
				1	2	3	4	5	6	7	8	9	10	11	12	13	14	15	16	17	18
<b>0200</b>	<b>COCKS &amp; COPPER PLATE</b>																				
0201	FAN WASHER	60084075		●	●	●	●														
0202	NUT	60084076		●	●	●	●														
0203	GASKET	60084637		●	●	●	●														
0204	TUBE (Expan vessel > Fil. tap)	60084078		●	●	●	●														
0205	PLUG	60084079		●	●	●	●														
0206	O-RING D: 26.64-2.62	60084080		●	●	●	●										07/93	11/95			
0208	THERMISTOR TEMPERATURE SENSOR	60084021		●	●	●	●										07/93	11/95			
	CABLE (/ Thermistor tem. sen.)	60084082		●	●	●	●										07/93	10/96			
	CABLE (/Therm.-safety-modula.)	60084543		●	●	●	●										11/96	01/00			
	CABLE (/Therm.-safety-modula.)	60084625		●	●	●	●										02/00				
0209	HOT WATER TANK 60L	60084083		●	●	●	●														
0210	GASKET	60084001		●	●	●	●														
0211	ANODE 22X200 M8	319521		●	●	●	●														
0212	O-RING	289442		●	●	●	●														
0214	GASKET	60084087		●	●	●	●										07/93	10/96			
	GASKET D: 24-17-2	60084259		●	●	●	●										11/96				
0215	TUBE	60084088		●	●	●	●														
0216	SCREW M 5-10	60084055		●	●	●	●														
0217	GASKET D:18-12-2	60084258		●	●	●	●														
0218	GASKET D:13.94-2.62	60084093		●	●	●	●														
0219	PRESSURE RELIEF VALVE 7 BARS	60084218		●	●	●	●														
0220	FLOW REGULATORE 12L/MN	60084011		●	●	●	●														
	FLOW REGULATORE 10L/MN	60084571		●	●	●	●														
0221	GASKET D: 16.1-1.6	60084053		●	●	●	●														
0222	CONNECTION KIT	60084107		●	●	●	●														
0223	CONNECTION KIT	60084109		●	●	●	●														
0224	GASKET D: 22-3	60084089		●	●	●	●														
0225	TUBE (Valve > Heat exchanger)	60084112		●	●	●	●														
0226	GASKET	60084638		●	●	●	●														
0227	CLIP	60078502		●	●	●	●										07/93	10/96			
0228	CLIP	60084124		●	●	●	●														
0229	THREE-WAY VALVE ASSY	60084007		●	●	●	●														
0230	HEATING EXPANSION VESSEL	60084074		●	●	●	●														
0231	TUBE (Valve > Rod)	60084102		●	●	●	●														
0232	SHEET GASKET D: 11-5-1.5	60061853-07		●	●	●	●														
0233	MOTOR - THREE-WAY VALVE	60084618		●	●	●	●														
0234	PRESSURE RELIEF VALVE 3 BARS	60084009		●	●	●	●														
0235	GASKET	60084101		●	●	●	●														
0237	BY-PASS	60084104		●	●	●	●														
0238	CIRCLIPS	60084105		●	●	●	●														
0239	AIR SEPARATOR	60084002		●	●	●	●										07/93	10/96			
	AIR SEPARATOR	60084512		●	●	●	●										11/96				
0240	SCREW M 5-12	60084106		●	●	●	●										07/93	10/96			
0241	GASKET D: 56.8-2.62	60084108		●	●	●	●										07/93	10/96			
0242	PLUG	60084099		●	●	●	●										07/93	10/96			
0243	TUBE (Motor > Heat exchanger)	60084114		●	●	●	●										07/93	08/98			
	TUBE (Motor > Heat exchanger)	60084588		●	●	●	●										09/98				
0244	GASKET	60084637		●	●	●	●														
0245	VALVES & FITTINGS ROD ASSY	60084115		●	●	●	●														
0249	EARTH WIRE	60084119		●	●	●	●														
0250	GASKET	60084400		●	●	●	●														
0251	PUMP	60084028		●	●	●	●										07/93	10/96			
	CABLE (/ Pump)	60084121		●	●	●	●														
	PUMP	60084513		●	●	●	●										11/96				
0252	AIR SEPARATOR ASSEMBLY	60084110		●	●	●	●										07/93	10/96			
0253	TUBE (Pump > Collector)	60084122		●	●	●	●										07/93	10/96			
	TUBE (Pump > Collector)	60084527		●	●	●	●										11/96				
0254	GASKET	60084222		●	●	●	●														
0255	AIR SEPAPATOR COVER	60084612		●	●	●	●										07/93	10/96			
0257	DISCONNECTOR KIT	60084617		●	●	●	●														
0258	TAP KIT	60084226		●	●	●	●														
0260	TUBE (Tap > Disconnecter)	60084228		●	●	●	●														
0261	TUBE (Tap > Disconnecter)	60084229		●	●	●	●														
0262	BYPASS TUBE	60084528		●	●	●	●										11/96				
	BYPASS TUBE	60084572		●	●	●	●										07/93	10/96			
0263	FILTER	60084529		●	●	●	●										11/96				
0264	CONNECTION	60084609		●	●	●	●														
0265	GASKET	60084531		●	●	●	●										11/96				
0267	TAP KNOB	60084325		●	●	●	●														
0268	GASKET D: 14-1.78	60084511		●	●	●	●														
0269	TUBE (Tap > Disconnecter)	61400138		●	●	●	●														



07/93 -> 08/98

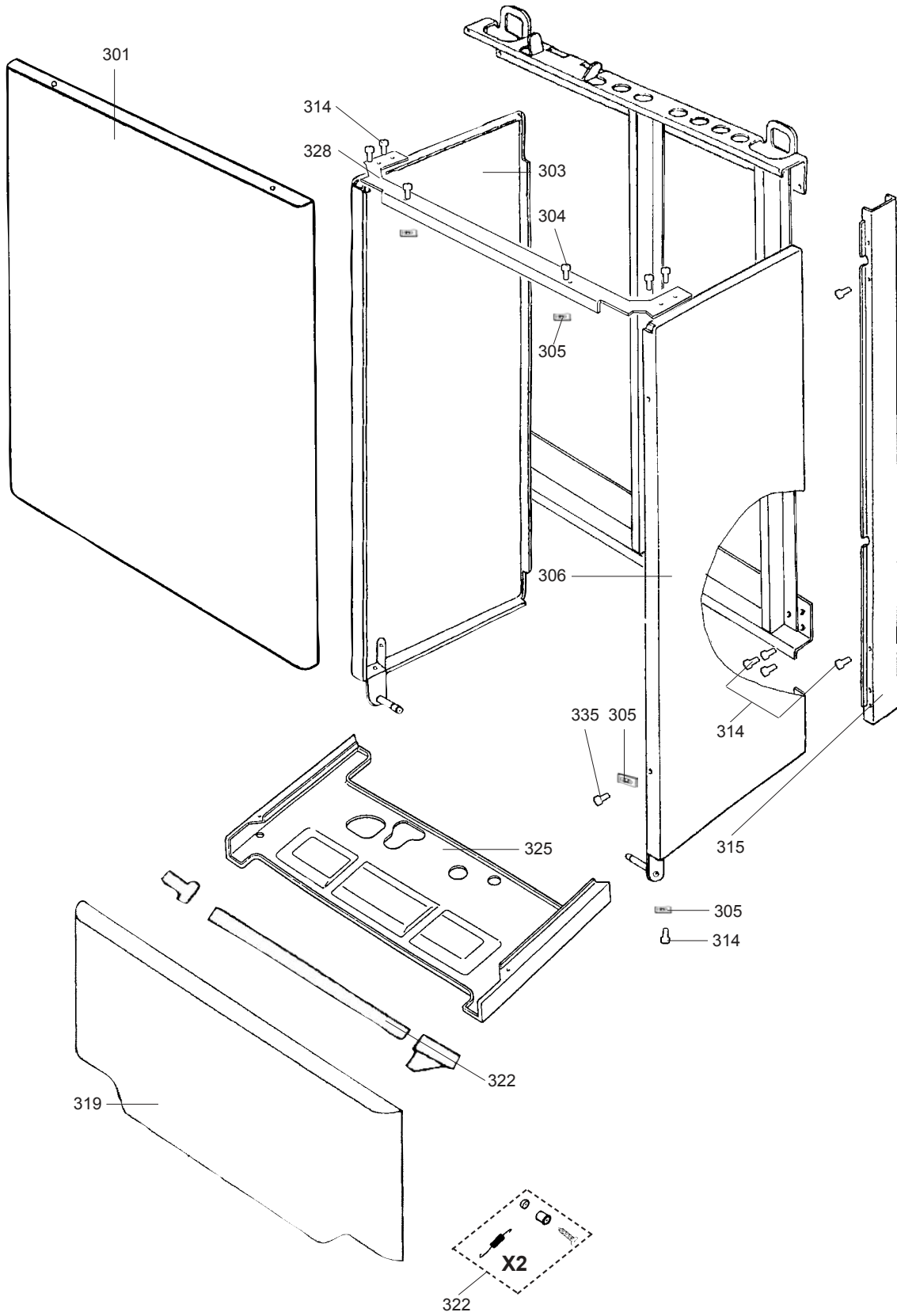


09/98 -> ...



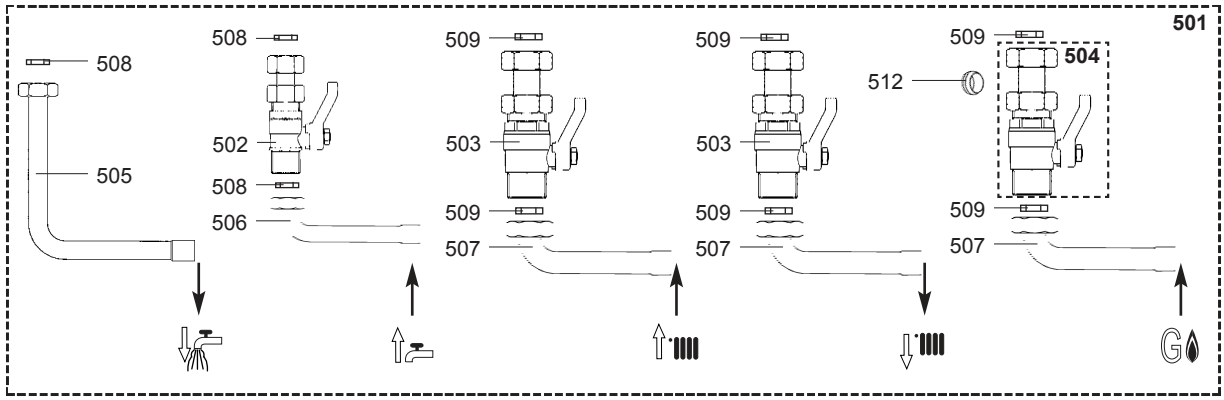
NIAGARA 28 CF  
 NIAGARA 28 FF  
 NIAGARA 23 CF  
 NIAGARA 23 MMC  
 NIAGARA 23 FF

Description	Manf. Pt. N	Type																							
			1	2	3	4	5	6	7	8	9	10	11	12	13	14	15	16	17	18					
0300 FRONT CASE																									
0304 TAPPING SCREW D: 3.5-9.5	60084126			●		●		●	●	●															
0307 CONTROL PANEL	60084130			●	●	●	●	●															07/93	08/98	
CONTROL PANEL	60084591			●	●	●	●	●															09/98		
0308 COVER SUPPORT	60084131			●	●	●	●																07/93	10/96	
COVER SUPPORT	60084514			●	●	●	●	●															11/96	08/98	
0309 PRINTED CIRCUIT BOARD	60084008			●	●	●	●	●															07/93	10/96	
PRINTED CIRCUIT BOARD	60084515			●		●	●																11/96	08/98	
PRINTED CIRCUIT BOARD	60084516				●			●															11/96	08/98	
PRINTED CIRCUIT BOARD	60084592			●	●	●	●	●															09/98		
0310 PRINTED CIRCUIT BOARD	60084003			●		●	●																07/93	10/96	
PRINTED CIRCUIT BOARD OF IONI.	60084013				●																		07/93	10/96	
PRINTED CIRCUIT BOARD	60084517			●	●	●	●	●															11/96	08/98	
PRINTED CIRCUIT BOARD	60084593			●		●	●																09/98	04/01	
PRINTED CIRCUIT BOARD	60084594				●			●															09/98	04/01	
PRINTED CIRCUIT BOARD	60084647			●		●	●																05/01		
PRINTED CIRCUIT BOARD	60084648				●			●															05/01		
0311 TAPPING SCREW D: 3.5-8	60084290			●	●	●	●	●																	
0312 SCREW	60084133			●	●	●	●	●																	
0313 OVERHEAT THERMOSTAT	60084156			●																			07/93	11/95	
0317 KNOBS SET	60084158			●	●	●	●	●																	
0318 PRINTED FACIA	60084140			●		●	●																07/93	10/96	
PRINTED FACIA	60084191				●																		07/93	10/96	
PRINTED FACIA	60084518			●		●	●																11/96	08/98	
PRINTED FACIA	60084563				●			●															11/96	08/98	
PRINTED FACIA	60084598			●		●	●																09/98		
PRINTED FACIA	60084605				●			●															09/98		
0320 THERMO-MANOMETER KIT	60084103			●	●	●	●	●																	
0321 COVER	60084144			●	●	●	●	●															07/93	08/98	
COVER	60084599			●	●	●	●	●															09/98		
0323 PRINTED CIRCUIT BOARD	60084014				●																		07/93	10/96	
PRINTED CIRCUIT BOARD	60084026			●		●	●																07/93	10/96	
PRINTED CIRCUIT BOARD	60084519				●			●															11/96	08/98	
PRINTED CIRCUIT BOARD	60084520			●		●	●																11/96	08/98	
PRINTED CIRCUIT BOARD	60084595			●	●	●	●	●															09/98		
0324 BUTTON	60084022			●	●	●	●	●															07/93	08/98	
BUTTON	60084587			●	●	●	●	●															09/98		
0326 SCREW M 4-6	60019197-03			●	●	●	●	●																	
0327 STRAP	60084221			●	●	●	●	●																	
0329 FUSE 250V 2A	60054442			●	●	●	●	●																	
0330 ELECTRICAL BOX COVER	60084601			●	●	●	●	●																	
0331 FILTER	60084025			●	●	●	●																07/93	10/96	
FILTER	60084522			●	●	●	●	●															11/96		
0332 COVER	60084521			●	●	●	●	●																	
0333 CONNECTION STRIP	60084533			●	●	●	●	●															11/96		
0334 FUSE HOLDER	60084534			●	●	●	●	●															11/96		
0336 CONNECTOR (/Timeclock)	60084538			●	●	●	●																07/93	10/96	
0337 CONNECTOR (/Feed)	60084539			●	●	●	●																07/93	10/96	
0338 CONNECTOR (/Room thermostat)	60084540			●	●	●	●																07/93	10/96	
0339 CONNECTION BOX CABLE	60084660			●	●		●	●																	
0340 COVER SUPPORT	60084590			●	●	●	●	●															09/98		
0342 INTERCONNECTION CABLE	60084616			●	●	●	●																07/93	10/96	
INTERCONNECTION CABLE	60084665			●	●	●	●	●															09/98	04/02	
0343 SUPPLY CABLE	60084147			●	●	●	●	●																	

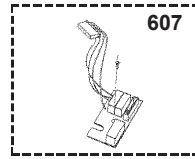
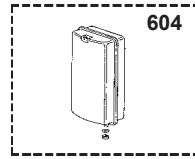
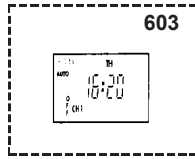
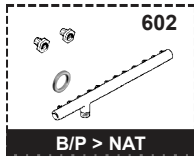
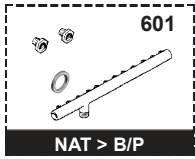




500



600



☉⇒	Description	Manf. Pt. N	Type	<div style="display: flex; justify-content: space-between; font-size: small;"> <span>NIAGARA 28 CF</span> <span>NIAGARA 28 FF</span> <span>NIAGARA 23 CF</span> <span>NIAGARA 23 MMC</span> </div>																		31
				1	2	3	4	5	6	7	8	9	10	11	12	13	14	15	16	17	18	
<b>0500</b>	<b>JIG PLATE &amp; PIPE FITTING</b>																					
0501	CONNECTION KIT	61017396		•	•	•	•	•														
0502	COLD WATER SERVICE TAP KIT	60084250		•	•	•	•	•														
0503	WATER FLOW & RETURN SERVI. TAP	60084251		•	•	•	•	•														
0504	GAS SERVICE TAP KIT	60084252		•	•	•	•	•														
0505	HOT WATER PIPE	60084253		•	•	•	•	•														
0506	COLD WATER PIPE	60084254		•	•	•	•	•														
0507	WATER FLOW & RETURN-GAS PIPE	60084255		•	•	•	•	•														
0508	GASKET D:18-12-2	60084258		•	•	•	•	•														
0509	GASKET D: 24-17-2	60084259		•	•	•	•	•														
0512	COMPRESSION OLIVE D: 18	60001095		•	•	•	•	•														
<b>0600</b>	<b>ACCESSORIES</b>																					
0601	CONVERSION KIT NAT > LPG	60084149		•	•															07/93	11/95	
	CONVERSION KIT NAT > LPG	60084314		•	•															12/95	01/00	
	CONVERSION KIT NAT > LPG	60084321				•		•												12/95	01/00	
	CONVERSION KIT NAT > LPG	61303170		•	•															02/00		
	CONVERSION KIT NAT > LPG	61303171				•		•												02/00		
0602	CONVERSION KIT BUT/PROP > NAT	60084150		•																07/93	11/95	
	CONVERSION KIT BUT/PROP > NAT	60084207			•															07/93	11/95	
	CONVERSION KIT BUT/PROP > NAT	60084315		•																12/95	01/00	
	CONVERSION KIT BUT/PROP > NAT	60084316			•															12/95	01/00	
	CONVERSION KIT BUT/PROP > NAT	60084322				•		•												12/95	01/00	
	CONVERSION KIT BUT/PROP > NAT	61303550		•																02/00		
	CONVERSION KIT BUT/PROP > NAT	61303551			•															02/00		
	CONVERSION KIT BUT/PROP > NAT	61303552				•		•												02/00		
0603	DIGITAL TIMECLOCK	61008962		•	•	•	•	•												07/93	08/98	
	MECANICAL TIMECLOCK	61016745		•	•	•	•	•												09/98		
0604	EXPANSION VESSEL KIT	61008966		•	•	•	•	•														
0607	PHASE INSULATOR KIT	60084619		•	•	•	•	•												11/96	08/98	

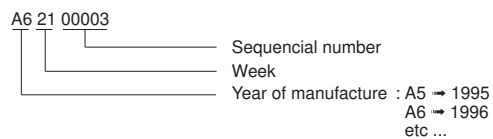
## LIST OF THE ABBREVIATIONS

HW .....	: Hot water.
CW .....	: Cold water.
C .....	: Ceramic resistance (normal heating).
Ca .....	: Ceramic resistance (accelerated heating)
TP .....	: Immersion heater.
1F .....	: With fittings.
2F .....	: Without fittings.
3F .....	: With fittings and another outlet connection.
AMI .....	: With mixing valve.
SMI .....	: Without mixing valve.
PUISS .....	: Power of th appliance.
PN .....	: Appliance with normal pression.
LP .....	: Appliance with low pression.
PV .....	: Appliance with variable power.
PF .....	: Appliance with fixed power.

## IDENTIFICATION PLATE

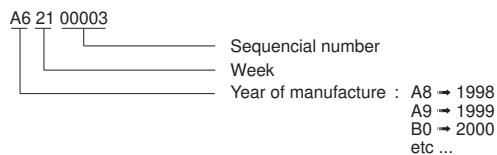
### SERIAL NUMBER

9 Characters :

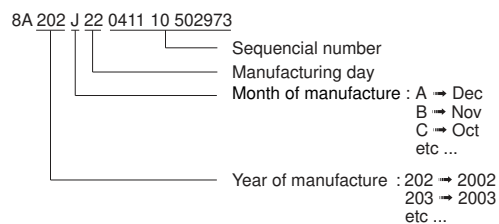


OR

9 Characters :



20 Characters :



The indications mentioned on the prices, commercial or technical literature and the scheme are written for your guidance and are available at a given time. The CONSTRUCTOR retains the power to modify the presentation, the form, the size, the conception or the material of the products.