

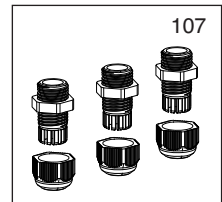
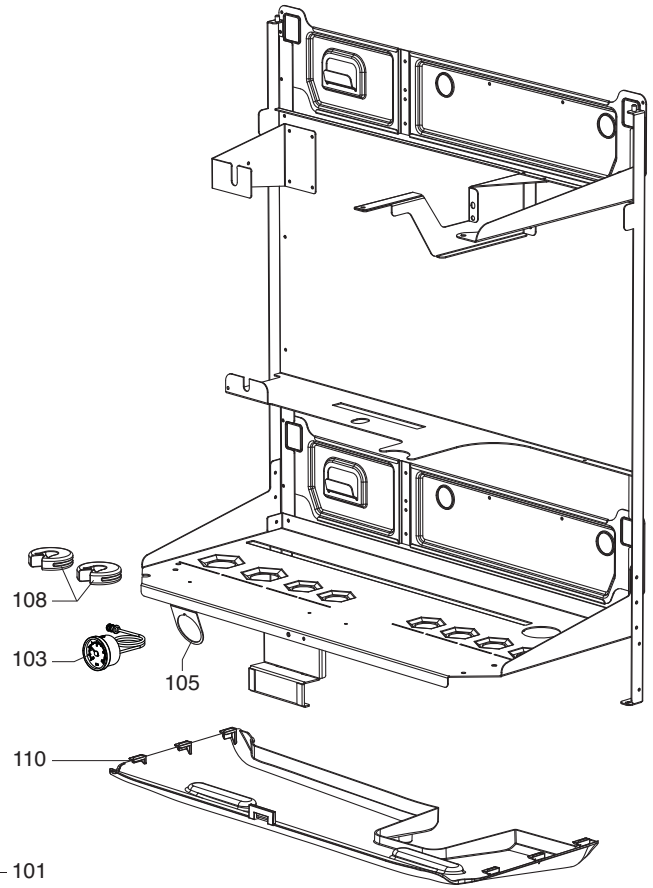
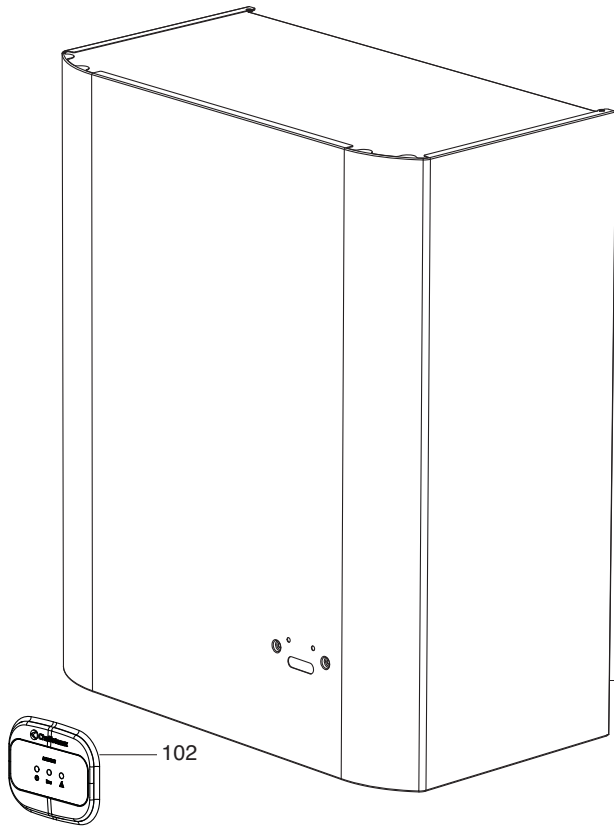
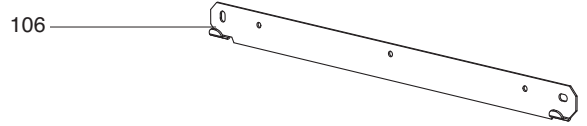
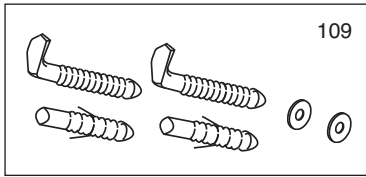
# SPARE PARTS EXPLODED VIEW HEAT PUMPS

Model

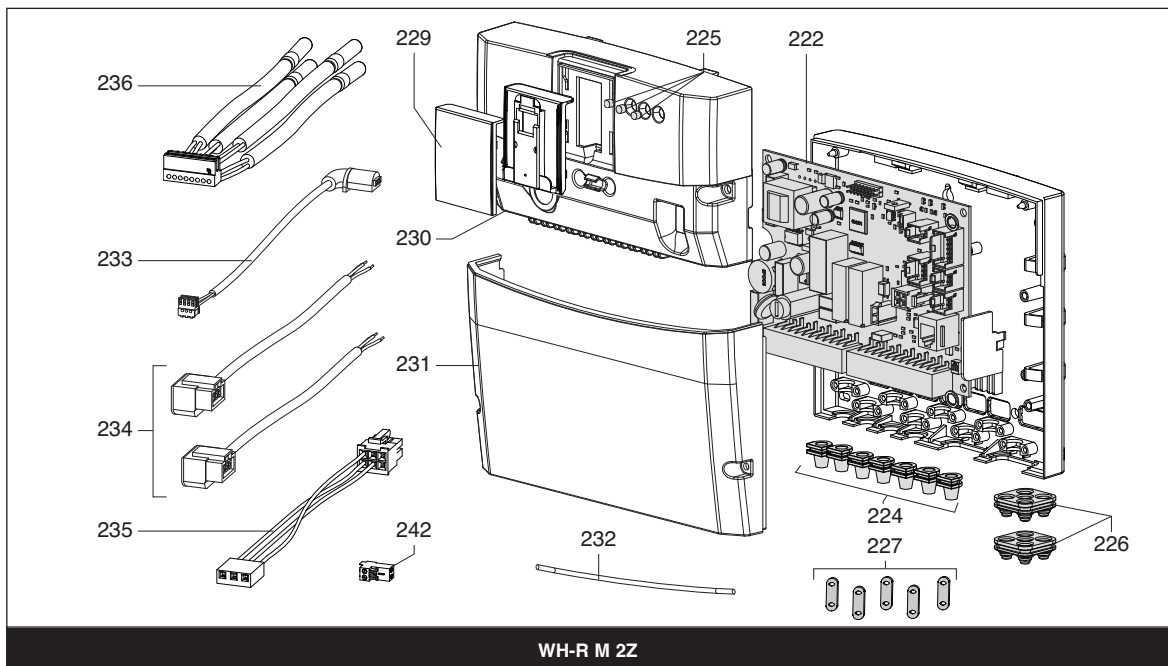
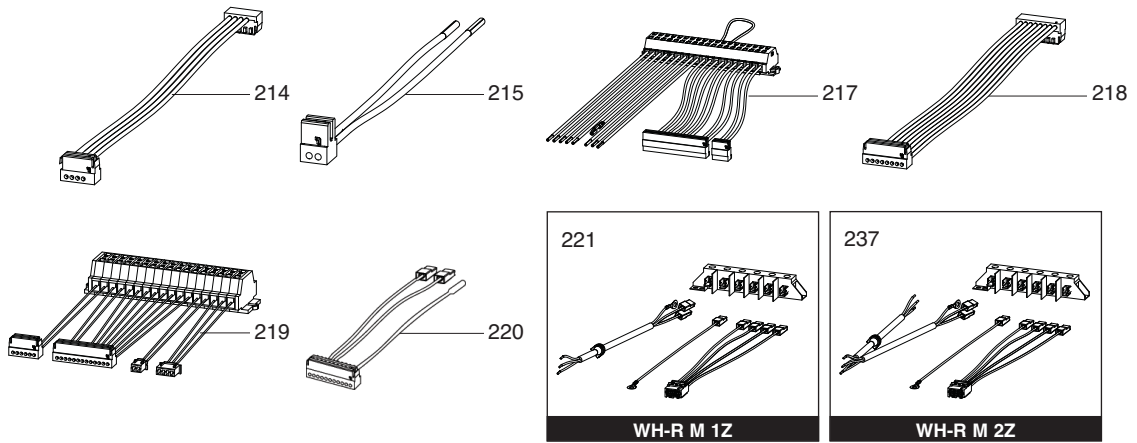
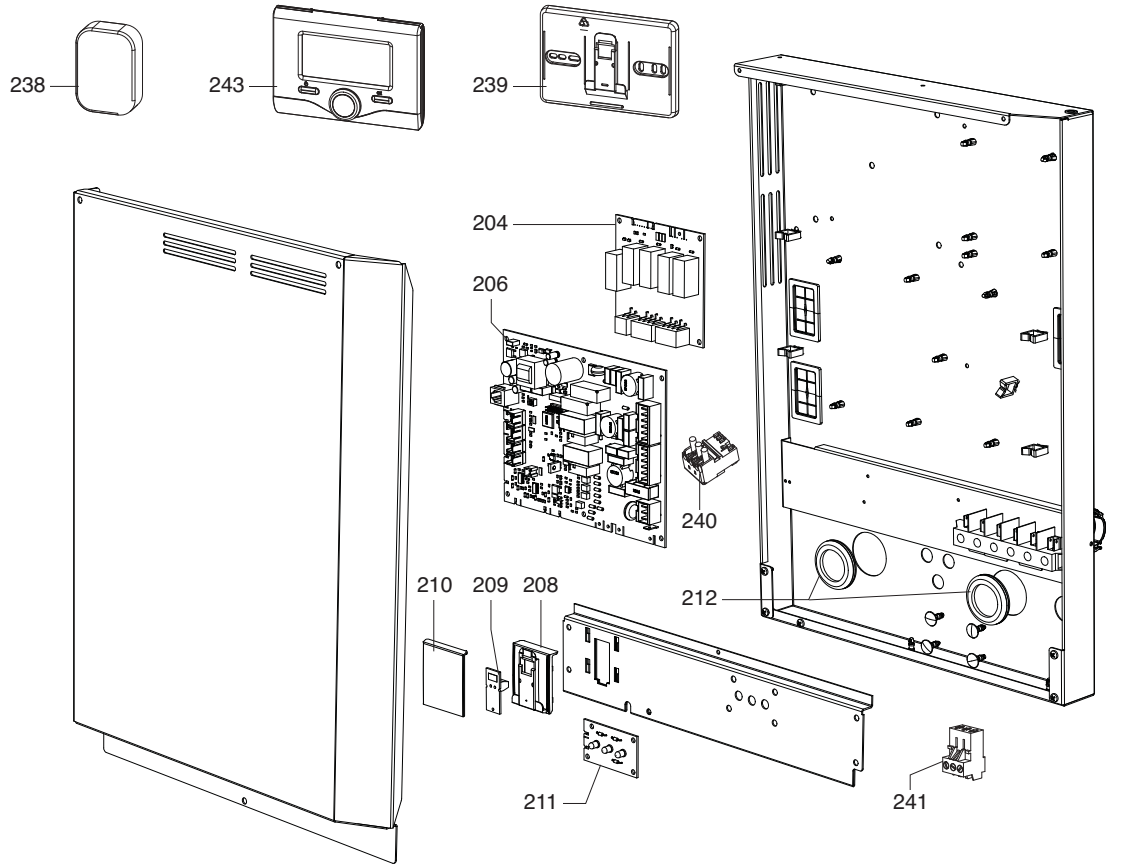
## **ARIANEXT MGP-R M**

R8217835-03 - 29/03/2021

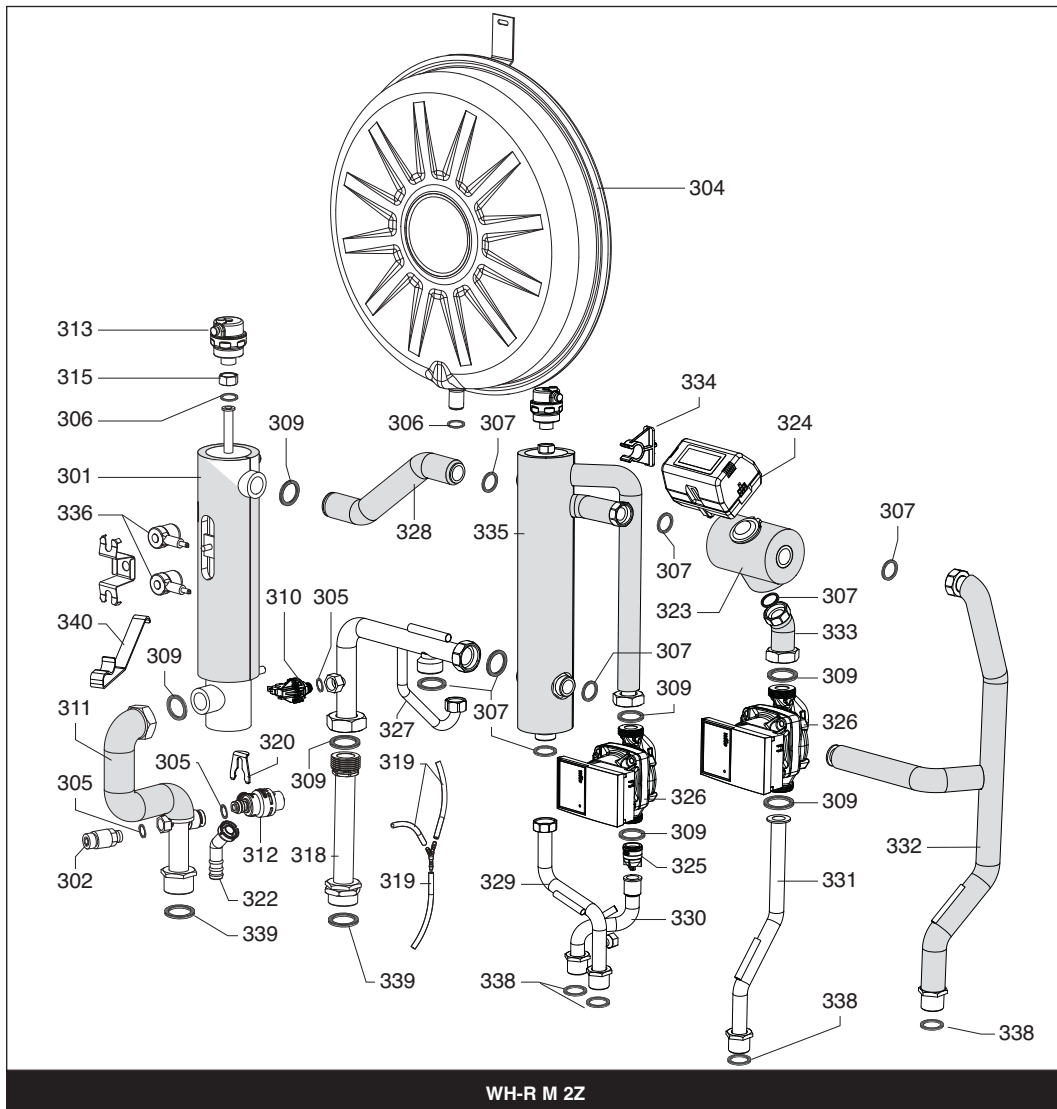
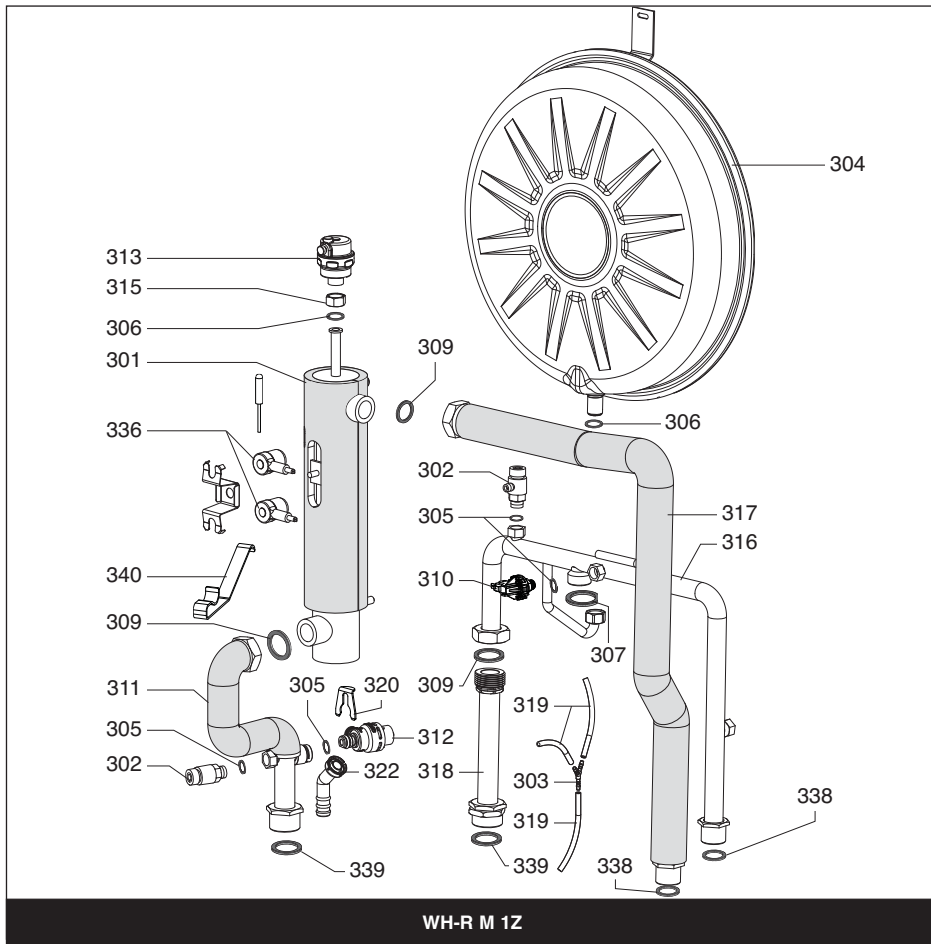
1	3310511	ARIANEXT MGP M 1Z	09-2017	-
2	3310513	ARIANEXT MGP M 2Z	09-2017	-
Col	Reference	Model type	Begin	End













---

## LIST OF THE ABBREVIATIONS

HW .....	: Hot water.
CW .....	: Cold water.
C .....	: Ceramic resistance (normal heating).
Ca .....	: Ceramic resistance (accelerated heating)
TP .....	: Immersion heater.
1F .....	: With fittings.
2F .....	: Without fittings.
3F .....	: With fittings and another outlet connection.
AMI .....	: With mixing valve.
SMI .....	: Without mixing valve.
PUISS .....	: Power of th appliance.
PN .....	: Appliance with normal pression.
LP .....	: Appliance with low pression.
PV .....	: Appliance with variable power.
PF .....	: Appliance with fixed power.

---

The indications mentioned on the prices, commercial or technical literature and the scheme are written for your guidance and are available at a given time. The CONSTRUCTOR retains the power to modify the presentation, the form, the size, the conception or the material of the products.

---