

SPARE PARTS EXPLODED VIEW GAS-WALL CONDENSING BOILERS

Model

MIRA C GREEN EVO

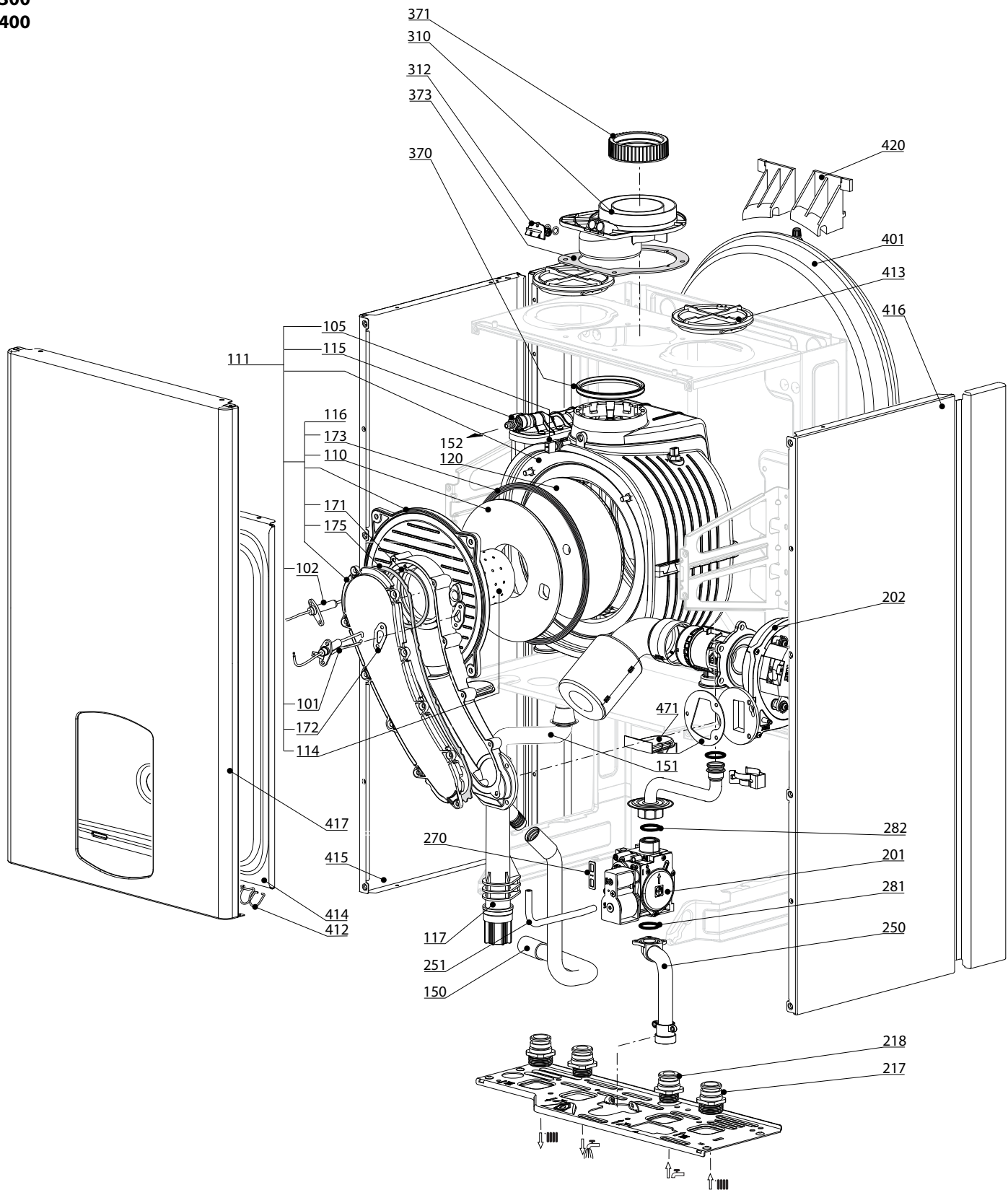
R8203350-08 - 21/04/2016

1	3310220	MIRA C GREEN EVO 25 FR BE	05-2012	08-2015
2	3310347	MIRA C GREEN EVO 25 MOD FR BE	03-2014	07-2015
3	3310418	MIRA C GREEN 25 FR BE EU	01-2015	-
4	3310309	MIRA C GREEN EVO 25 3CEP FR BE	06-2012	06-2014
5	3310349	MIRA C GREEN EVO 25 3CEP MOD FR BE	03-2014	08-2015
6	3310417	MIRA C GREEN 25 3CEP FR BE EU	01-2015	-
7	3310221	MIRA C GREEN EVO 30 FR BE	05-2012	08-2015
8	3310348	MIRA C GREEN EVO 30 MOD FR BE	02-2014	08-2015
9	3310420	MIRA C GREEN 30 FR BE EU	01-2015	-
10	3310398	MIRA C GREEN EVO MOD 25/30 BE	12-2014	10-2015
11	3310423	MIRA C GREEN 25/30 BE EU	01-2015	-
12	3310318	MIRA C GREEN EVO 30 3CEP FR BE	09-2012	06-2013
13	3310255	MIRA C GREEN EVO 30 3CEP MOD FR BE	04-2013	08-2015
14	3310419	MIRA C GREEN 30 3CEP FR BE EU	01-2015	-
15	3310222	MIRA C GREEN EVO 35 FR BE	05-2012	08-2015
16	3310421	MIRA C GREEN 35 FR BE EU	04-2015	-
17	3310319	MIRA C GREEN EVO 35 3CEP FR BE	09-2012	10-2015
18	3310422	MIRA C GREEN 35 3CEP FR BE EU	04-2015	-
Col	Reference	Model type	Begin	End

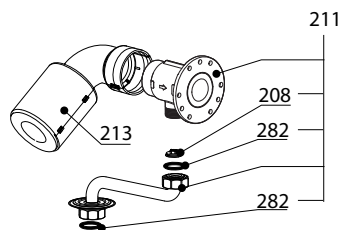
100
200
300
400

MIRA C GREEN EVO

Gas-wall condensing boilers

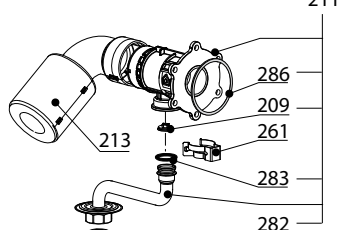


Mixer AL* (2012 -> 2016)



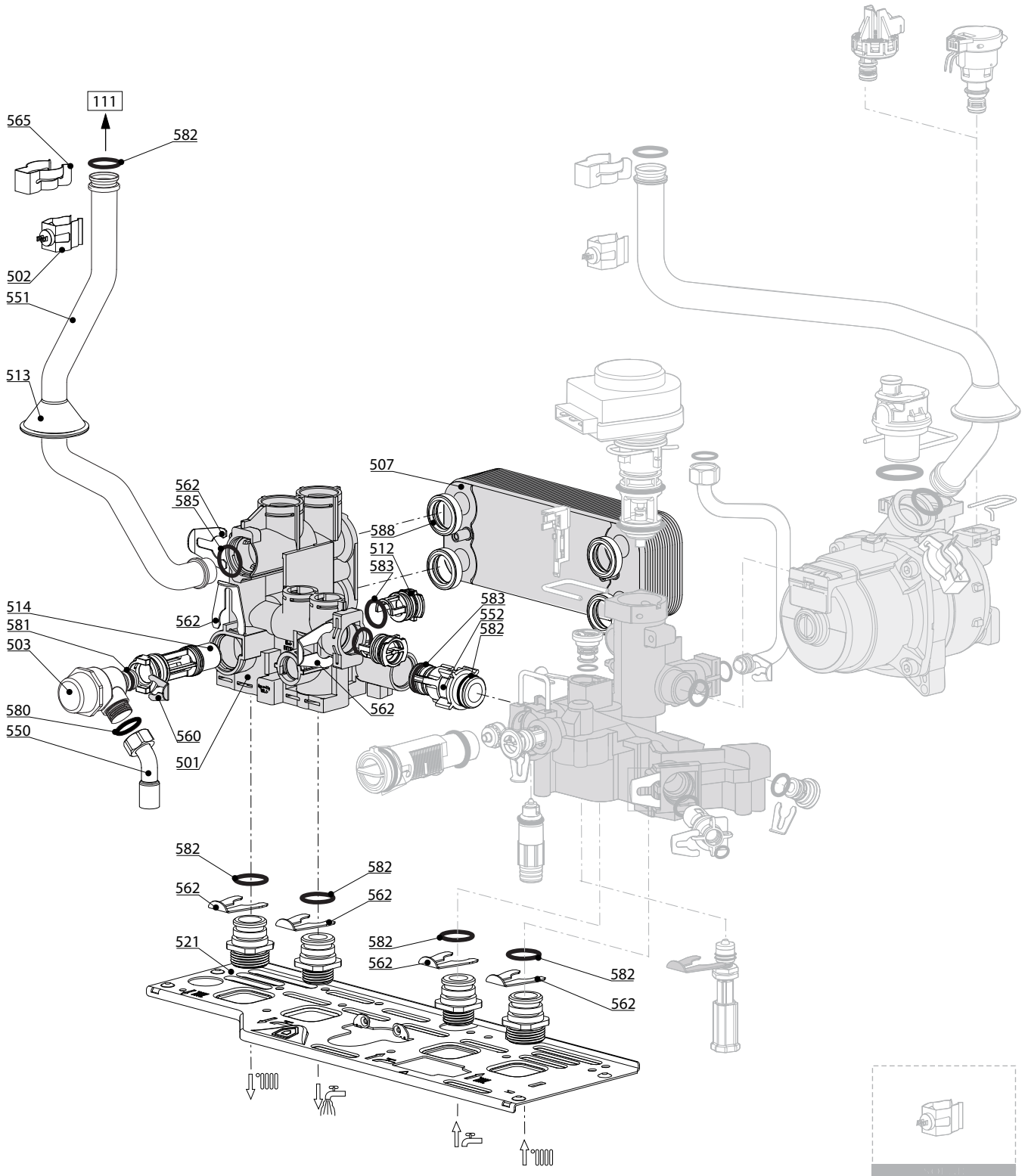
* Aluminum - Aluminium - Alluminio - Aluminio

Mixer PA* (2016 -> ...)

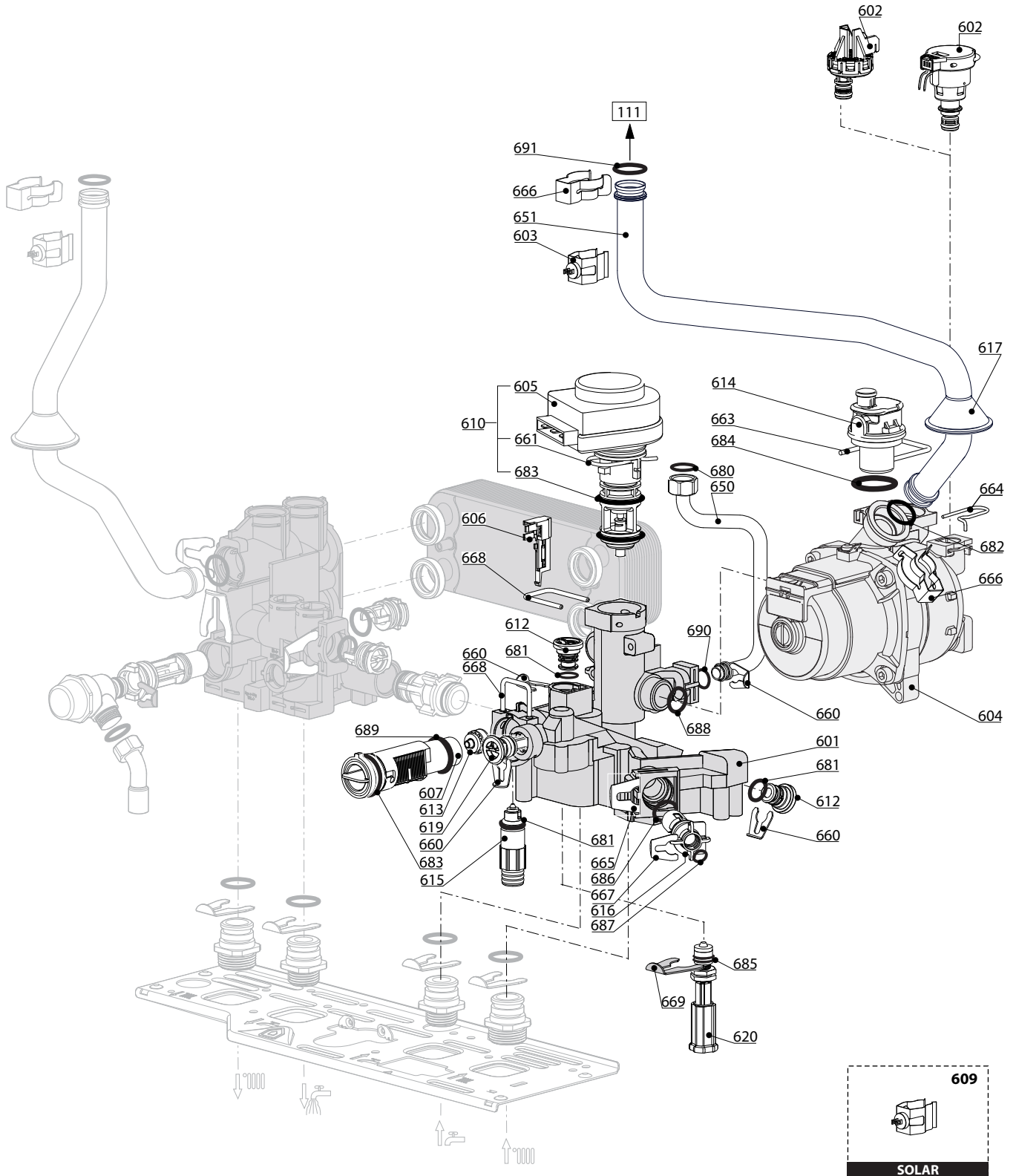


* Polyamide black, noir - Poliammide nero - Poliamida negro

Description	Manf. Pt N	Type	<div style="display: flex; justify-content: space-between; font-size: 0.8em; text-align: center;"> MIRA C.G. EVO 25 MIRA C.G. EVO 25 MOD MIRA C.G. EVO 25 EU MIRA C.G. EVO 25 3CEP MIRA C.G. EVO 25 3CEP MOD MIRA C.G. EVO 30 MIRA C.G. EVO 30 MOD MIRA C.G. EVO 30 3CEP MIRA C.G. EVO 30 3CEP MOD MIRA C.G. EVO 35 MIRA C.G. EVO 35 MOD MIRA C.G. EVO 35 3CEP MIRA C.G. EVO 35 3CEP MOD MIRA C.G. EVO 35 EU MIRA C.G. EVO 35 3CEP EU </div>																		From	to				
			1	2	3	4	5	6	7	8	9	10	11	12	13	14	15	16	17	18						
0100 BURNER ASSEMBLY																										
0101 IGNITION ELECTRODE	60000868-01		●	●	●	●	●	●	●	●	●	●	●	●	●	●	●	●	●	●						
0102 IONIZATION ELECTRODE	60000867-01		●	●	●	●	●	●	●	●	●	●	●	●	●	●	●	●	●	●	●					
0110 INSULATION (FRONT PANEL)	60000297		●	●	●	●	●	●	●	●	●	●	●	●	●	●	●	●	●	●	●					
0111 HEAT EXCHANGER (18/24KW)	65111608		●	●	●	●	●	●	●	●	●	●	●	●	●	●	●	●	●	●	●					
HEAT EXCHANGER (30KW)	65111606		●	●	●	●	●	●	●	●	●	●	●	●	●	●	●	●	●	●	●					
HEAT EXCHANGER (35KW)	65111607																				●	●				
0114 BURNER 18/24KW	60000288-01		●	●	●	●	●	●	●	●	●	●	●	●	●	●	●	●	●	●	●					
BURNER 30KW	60001912									●	●	●	●	●	●	●	●	●	●	●	●					
BURNER 35KW	60001913																					●	●			
0115 AIR SEPARATOR	60000994		●	●	●	●	●	●	●	●	●	●	●	●	●	●	●	●	●	●	●	●				
0116 DOOR ASSY	65111604		●	●	●	●	●	●	●	●	●	●	●	●	●	●	●	●	●	●	●	●				
0117 TRAP	60000987		●	●	●	●	●	●	●	●	●	●	●	●	●	●	●	●	●	●	●	●				
0120 PANEL (INSULATION - REAR)	65114477		●	●	●	●	●	●	●	●	●	●	●	●	●	●	●	●	●	●	●	●				
0150 TUBE PVC D:19 L:500	60000976		●	●	●	●	●	●	●	●	●	●	●	●	●	●	●	●	●	●	●	●				
0151 OUTGOING CONDENSATION TUBE	60001929		●	●	●	●	●	●	●	●	●	●	●	●	●	●	●	●	●	●	●	●				
0152 SILICONE TUBE D: 8x1 L: 0.15M	60001013		●	●	●	●	●	●	●	●	●	●	●	●	●	●	●	●	●	●	●	●				
0171 GASKET D:80.6-1.8	60001610		●	●	●	●	●	●	●	●	●	●	●	●	●	●	●	●	●	●	●	●				
0172 GASKET (IGNITION ELECTRODE)	60000286-01		●	●	●	●	●	●	●	●	●	●	●	●	●	●	●	●	●	●	●	●				
0173 DOOR GASKET	60000623		●	●	●	●	●	●	●	●	●	●	●	●	●	●	●	●	●	●	●	●				
0175 GASKET	60001609		●	●	●	●	●	●	●	●	●	●	●	●	●	●	●	●	●	●	●	●				
0200 GAS SECTION																										
0201 GAS VALVE	60001612		●	●	●	●	●	●	●	●	●	●	●	●	●	●	●	●	●	●	●	●				
0202 FAN ASSY	60001869		●	●	●	●	●	●	●	●	●	●	●	●	●	●	●	●	●	●	●	●				
0208 KIT GAS RESTRICTOR G20	60002783	G20 - AL	●	●	●	●	●	●	●	●	●	●	●	●	●	●	●	●	●	●	●	●				
KIT GAS RESTRICTOR G31	60002782	G31 - AL	●	●	●	●	●	●	●	●	●	●	●	●	●	●	●	●	●	●	●	●				
0209 KIT GAS RESTRICTOR G20	60002784	G20 - PA	●	●	●	●	●	●	●	●	●	●	●	●	●	●	●	●	●	●	●	●				
KIT GAS RESTRICTOR G31	60002780	G31 - PA	●	●	●	●	●	●	●	●	●	●	●	●	●	●	●	●	●	●	●	●				
0211 VENTURI G20 24 KW	60002776	G20	●	●	●	●	●	●	●	●	●	●	●	●	●	●	●	●	●	●	●	●				
VENTURI G20 30 KW	60002777	G20								●	●	●	●	●	●	●	●	●	●	●	●	●				
VENTURI G20 35-38 KW	60002778	G20																			●	●				
0213 SILENCER	65111609		●	●	●	●	●	●	●	●	●	●	●	●	●	●	●	●	●	●	●	●				
0217 UNION (3/4»)	65104326		●	●	●	●	●	●	●	●	●	●	●	●	●	●	●	●	●	●	●	●				
0218 UNION (1/2»)	65104327		●	●	●	●	●	●	●	●	●	●	●	●	●	●	●	●	●	●	●	●				
0219 GROMMET	61010109		●	●	●	●	●	●	●	●	●	●	●	●	●	●	●	●	●	●	●	●				
0250 GAS TUBE	60000720		●	●	●	●	●	●	●	●	●	●	●	●	●	●	●	●	●	●	●	●				
0251 SILICONE PIPE	60001613		●	●	●	●	●	●	●	●	●	●	●	●	●	●	●	●	●	●	●	●				
0261 CLIP	60000309		●	●	●	●	●	●	●	●	●	●	●	●	●	●	●	●	●	●	●	●				
0270 GASKET (SPARK GENERATOR)	574279		●	●	●	●	●	●	●	●	●	●	●	●	●	●	●	●	●	●	●	●				
0271 GASKET	60001931		●	●	●	●	●	●	●	●	●	●	●	●	●	●	●	●	●	●	●	●				
0281 O-RING 22.22X2.62	65104304		●	●	●	●	●	●	●	●	●	●	●	●	●	●	●	●	●	●	●	●				
0282 SHEET GASKET D: 24-18.2-1.5	60022835-01		●	●	●	●	●	●	●	●	●	●	●	●	●	●	●	●	●	●	●	●				
0283 O-RING D: 17.86-2.62	60002766		●	●	●	●	●	●	●	●	●	●	●	●	●	●	●	●	●	●	●	●				
0286 GASKET	60001878		●	●	●	●	●	●	●	●	●	●	●	●	●	●	●	●	●	●	●	●				
0300 FAN ASSEMBLY																										
0310 BI FLUX CONNECTION 3CEP	60001954					●	●	●	●	●	●	●	●	●	●	●	●	●	●	●	●	●				
FLUE (EXHAUST MANIFOLD/HEADER)	60000523		●	●	●	●	●	●	●	●	●	●	●	●	●	●	●	●	●	●	●	●				
0312 FLUE INTAKE PLUG	65104295		●	●	●	●	●	●	●	●	●	●	●	●	●	●	●	●	●	●	●	●				
0370 SEALING RING 80mm	60000315		●	●	●	●	●	●	●	●	●	●	●	●	●	●	●	●	●	●	●	●				
0371 GASKET	60000316		●	●	●	●	●	●	●	●	●	●	●	●	●	●	●	●	●	●	●	●				
MANIFOLD GASKET	65103366		●	●	●	●	●	●	●	●	●	●	●	●	●	●	●	●	●	●	●	●				
0373 GASKET	60000317		●	●	●	●	●	●	●	●	●	●	●	●	●	●	●	●	●	●	●	●				
0400 SEALED CASE																										
0401 EXPANSION VESSEL 10L	65114173													●	●	●	●	●	●	●	●	●				
EXPANSION VESSEL 8L	65104261		●	●	●	●	●	●	●	●	●	●	●	●	●	●	●	●	●	●	●	●				
0412 SPRING FRONT PANEL (KIT)	65104298		●	●	●	●	●	●	●	●	●	●	●	●	●	●	●	●	●	●	●	●				
0413 AIR RETURN COVER	65104249		●	●	●	●	●	●	●	●	●	●	●	●	●	●	●	●	●	●	●	●				
0414 PANEL (FRONT - SEALED CHAMBER)	65105678-02		●	●	●	●	●	●	●	●	●	●	●	●	●	●	●	●	●	●	●	●				
0415 SIDE PANELS LEFT + RIGHT	65111885		●	●	●	●	●	●	●	●	●	●	●	●	●	●	●	●	●	●	●	●				
SIDE PANELS LEFT + RIGHT	65111900									●	●	●	●	●	●	●	●	●	●	●	●	●				
0417 CASE PANEL (FRONT)	60000983		●	●	●	●	●	●	●	●	●	●	●	●	●	●	●	●	●	●	●	●				
0420 EXPANSION VESSEL SUPPORT	65104696		●	●	●	●	●	●	●	●	●	●	●	●	●	●	●	●	●	●	●	●				
SUPPORT (EXPANSION VESSEL-UPPER)	65114176													●	●	●	●	●	●	●	●	●				
0470 CABLE INLET RUBBER WASHER	60000540		●	●	●	●	●	●	●	●	●	●	●	●	●	●	●	●	●	●	●	●				
0471 CABLE INLET RUBBER WASHER	60000541		●	●	●	●	●	●	●	●	●	●	●	●	●	●	●	●	●	●	●	●				

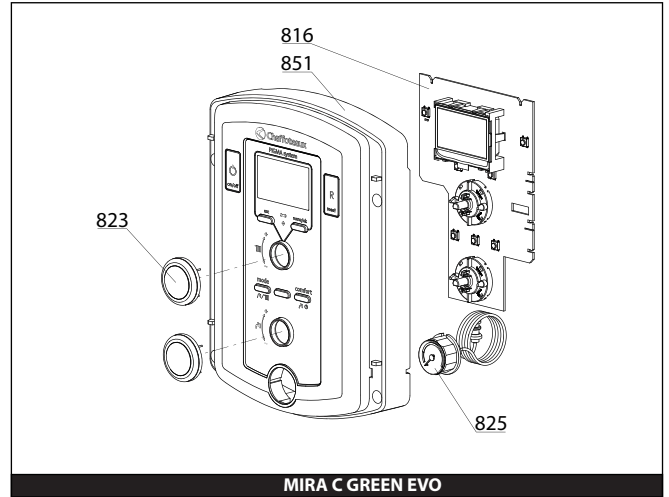
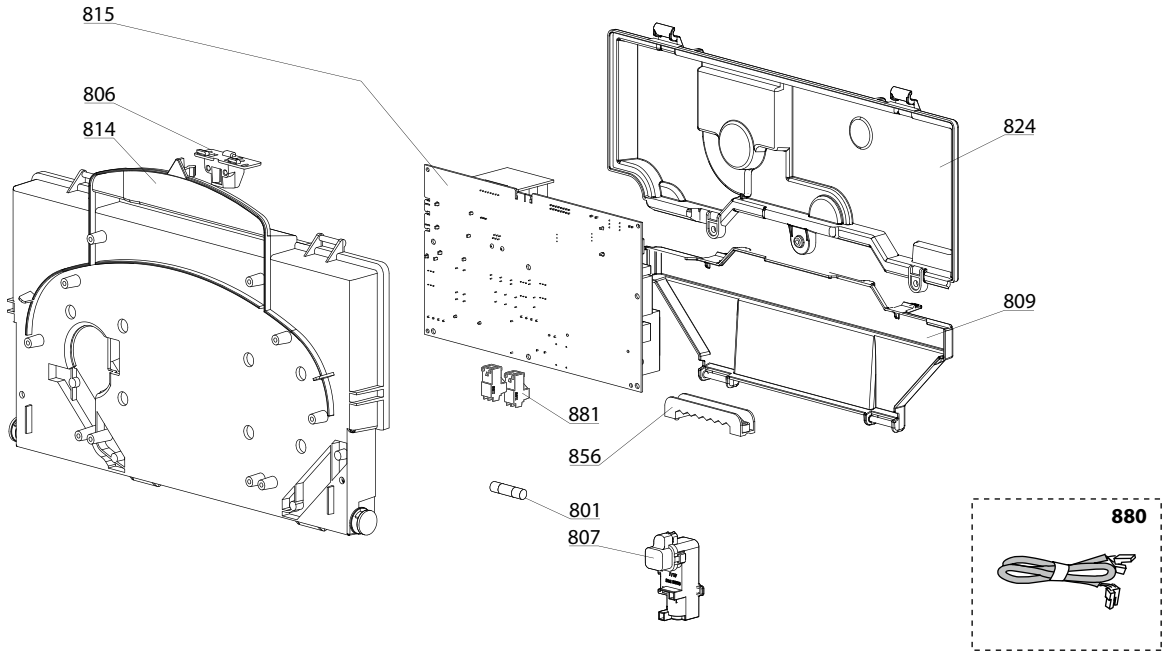


☉⇒	Description	Manf. Pt. N	Type	<div style="display: flex; justify-content: space-between; font-size: 8px; transform: rotate(-45deg);"> MIRA C.G. EVO 25 MIRA C.G. EVO 25 MOD MIRA C.G. EVO 25 3CEP MIRA C.G. EVO 25 3CEP MOD MIRA C.G. EVO 30 MIRA C.G. EVO 30 MOD MIRA C.G. EVO 30 3CEP MIRA C.G. EVO 30 3CEP MOD MIRA C.G. EVO 35 MIRA C.G. EVO 35 3CEP </div>																		From	to
				1	2	3	4	5	6	7	8	9	10	11	12	13	14	15	16	17	18		
0500	FLOW GROUP																						
0501	FLOW GROUP	60001952		•	•	•	•	•	•	•	•	•	•	•	•	•	•	•	•				
0502	TEMPERATURE PROBE + CLIP KIT	990686-01		•	•	•	•	•	•	•	•	•	•	•	•	•	•	•	•				
0503	PRESSURE RELIEF VALVE (3 BAR)	61312668		•	•	•	•	•	•	•	•	•	•	•	•	•	•	•	•				
0507	SANITARY HEAT EXCHANGER (16 P.)	65104333		•	•	•	•	•	•	•	•	•	•	•	•	•	•	•	•				
0512	PLUG	65104445		•	•	•	•	•	•	•	•	•	•	•	•	•	•	•	•				
0513	GROMMET	61010109		•	•	•	•	•	•	•	•	•	•	•	•	•	•	•	•				
0514	BY-PASS	65104336		•	•	•	•	•	•	•	•	•	•	•	•	•	•	•	•				
0521	HYDRAULIC GROUP SUPPORT	60001375		•	•	•	•	•	•	•	•	•	•	•	•	•	•	•	•				
0550	PIPE (SAFETY VALVE)	65104447		•	•	•	•	•	•	•	•	•	•	•	•	•	•	•	•				
0551	PIPE (C.H. FLOW)	60000859		•	•	•	•	•	•	•	•	•	•	•	•	•	•	•	•				
	PIPE (C.H. FLOW)	60000981															•	•	•				
0552	BY-PASS PIPE	65104340		•	•	•	•	•	•	•	•	•	•	•	•	•	•	•	•				
0560	CLIP D:10	65104260		•	•	•	•	•	•	•	•	•	•	•	•	•	•	•	•				
0562	CLIP D:18	65104259		•	•	•	•	•	•	•	•	•	•	•	•	•	•	•	•				
0565	CLIP	60000309		•	•	•	•	•	•	•	•	•	•	•	•	•	•	•	•				
0580	SHEET GASKET D: 13.9-10.4-1.5	60061853-02		•	•	•	•	•	•	•	•	•	•	•	•	•	•	•	•				
0581	O-RING 17.96X2.62	65104337		•	•	•	•	•	•	•	•	•	•	•	•	•	•	•	•				
0582	O-RING 17.86X2.62	61308091		•	•	•	•	•	•	•	•	•	•	•	•	•	•	•	•				
0583	O-RING 15.54X2.62	65104325		•	•	•	•	•	•	•	•	•	•	•	•	•	•	•	•				
0585	O-RING 17.04X3.53	65104262		•	•	•	•	•	•	•	•	•	•	•	•	•	•	•	•				
0588	EXCHANGER GASKET	65104334		•	•	•	•	•	•	•	•	•	•	•	•	•	•	•	•				



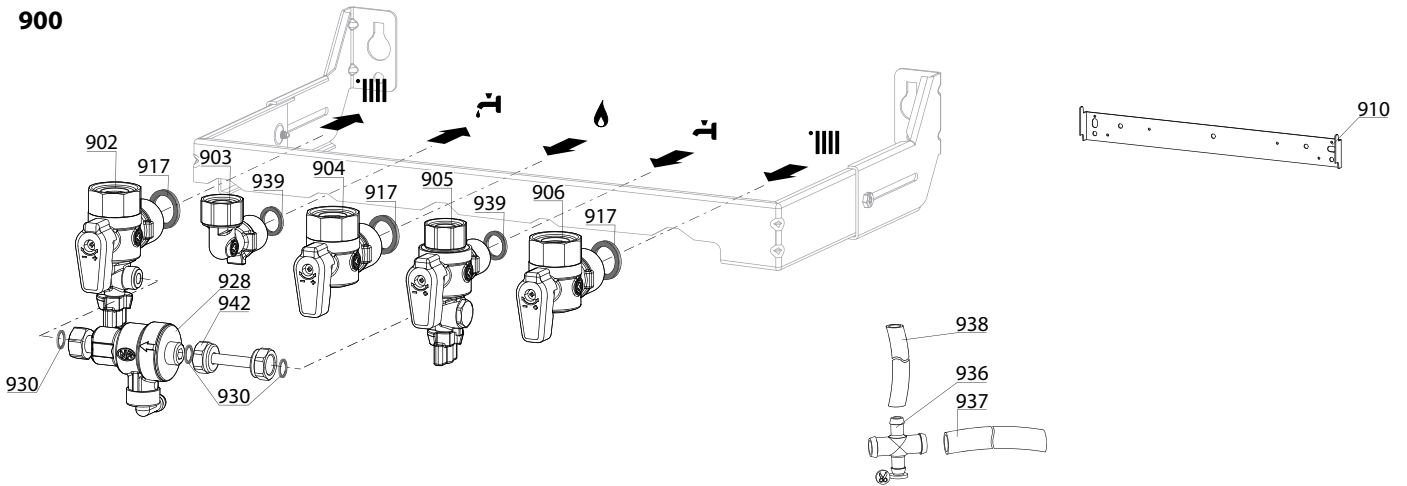
☉⇒	Description	Manf. Pt. N	Type	<div style="display: flex; justify-content: space-between; font-size: 8px; transform: rotate(-45deg);"> MIRA C.G. EVO 25 MIRA C.G. EVO 25 MOD MIRAC G. EVO 25 3CEP MIRAC G. EVO 25 3CEP MOD MIRA C.G. EVO 30 MIRA C.G. EVO 30 MOD MIRAC G. EVO 30 3CEP MIRAC G. EVO 30 3CEP MOD MIRA C.G. EVO 35 MIRA C.G. EVO 35 3CEP </div>																		From	to
				1	2	3	4	5	6	7	8	9	10	11	12	13	14	15	16	17	18		
0600	RETURN GROUP																						
0601	RETURN GROUP	60000874		•	•	•	•	•	•	•	•	•	•	•	•	•	•	•	•				
0602	LOW PRESSURE SWITCH	65105090		•	•	•	•	•	•	•	•	•	•	•	•	•	•	•	•				
0603	TEMPERATURE PROBE + CLIP KIT	990686-01		•	•	•	•	•	•	•	•	•	•	•	•	•	•	•	•				
0604	PUMP 5M 2V WILO	65104319	WILO	•																			
	PUMP 5M PWM ENER+	60001947	ENER +		•	•																	
	PUMP 6M 2V WILO	60000591	WILO						•														
0605	MOTOR (3-WAY VALVE)	61302483-01		•	•	•	•	•	•	•	•	•	•	•	•	•	•	•					
0606	SENSOR (REED)	65104323		•	•	•	•	•	•	•	•	•	•	•	•	•	•	•					
0607	FLOW METER	60000870		•	•	•	•	•	•	•	•	•	•	•	•	•	•	•					
0610	MOTOR + SPRING 3 WAY VALVE KIT	60001583-01		•	•	•	•	•	•	•	•	•	•	•	•	•	•	•					
0612	PLUG	65104377		•	•	•	•	•	•	•	•	•	•	•	•	•	•	•					
0613	RIDUCTORS (KIT)	65104318		•	•	•	•	•	•	•	•	•	•	•	•	•	•	•					
0614	AUTO AIR VENT ENER+	65112086	ENER +	•	•																		
	AUTO AIR VENT WITH O-RING WILO	65104703	WILO	•																			
0615	KIT DRAIN SCREW	60001385		•	•	•	•	•	•	•	•	•	•	•	•	•	•	•					
0616	WATER FILTER	60001372		•	•	•	•	•	•	•	•	•	•	•	•	•	•	•					
0617	GROMMET	61010109		•	•	•	•	•	•	•	•	•	•	•	•	•	•	•					
0619	CHECK VALVE CARTRIDGE	65105323		•	•	•	•	•	•	•	•	•	•	•	•	•	•	•					
0650	PIPE (10 LTS EXPANSION VESSEL-CH)	65114186									•	•											
	PIPE (EXPANSION VESSEL)	60000718		•	•	•	•	•	•	•													
0651	PIPE (C.H. RETURN)	60001928		•	•	•	•	•	•	•	•	•	•	•	•	•	•	•					
0660	CLIP D:10	65104260		•	•	•	•	•	•	•	•	•	•	•	•	•	•	•					
0661	CLIP	65104332		•	•	•	•	•	•	•	•	•	•	•	•	•	•	•					
0663	U-CLIP	65104704		•	•	•	•	•	•	•	•	•	•	•	•	•	•	•					
0664	CLIP	65104322		•	•	•	•	•	•	•	•	•	•	•	•	•	•	•					
0665	CLIP	65104331		•	•	•	•	•	•	•	•	•	•	•	•	•	•	•					
0666	CLIP	60000309		•	•	•	•	•	•	•	•	•	•	•	•	•	•	•					
0667	CLIP	65100680		•	•	•	•	•	•	•	•	•	•	•	•	•	•	•					
0668	CLIP	65104316		•	•	•	•	•	•	•	•	•	•	•	•	•	•	•					
0680	GASKET 3/8»	573521		•	•	•	•	•	•	•	•	•	•	•	•	•	•	•					
0681	O-RING 9.19X2.62	65104313		•	•	•	•	•	•	•	•	•	•	•	•	•	•	•					
0682	O-RING 17.04X3.53	65104262		•	•	•	•	•	•	•	•	•	•	•	•	•	•	•					
0683	O-RING 23.47X2.62	65104315		•	•	•	•	•	•	•	•	•	•	•	•	•	•	•					
0684	O-RING 3X35 EPDM 75 SH	65104705		•	•	•	•	•	•	•	•	•	•	•	•	•	•	•					
0686	O-RING 15.54X2.62	65104325		•	•	•	•	•	•	•	•	•	•	•	•	•	•	•					
0687	O-RING 5.7X1.9	61009834-10		•	•	•	•	•	•	•	•	•	•	•	•	•	•	•					
0688	O-RING 21.89X2.62	65104320		•	•	•	•	•	•	•	•	•	•	•	•	•	•	•					
0689	O-RING 17.17X1.78	65104303		•	•	•	•	•	•	•	•	•	•	•	•	•	•	•					
0690	O-RING 8.9X2.7	61009834-14		•	•	•	•	•	•	•	•	•	•	•	•	•	•	•					
0691	O-RING 17.86X2.62	61308091		•	•	•	•	•	•	•	•	•	•	•	•	•	•	•					

800



MIRA C GREEN EVO

900



5000

5001
 Transf. gaz
 Conv. gas
 Trsf. gas
 Transf. gas
 > **G31**
 (LPG - GPL)

5002
 Transf. gaz
 Conv. gas
 Trsf. gas
 Transf. gas
 > **G20**
 (NAT - MET)

5020
 Options
 Accessories
 Opzioni
 Accessorio

☞	Description	Manf. Pt N	Type	<div style="display: flex; justify-content: space-between; font-size: small;"> MIRA C.G. EVO 25 MIRA C.G. EVO 25 MOD MIRAC G. EVO 25 3CEP MIRA C.G. EVO 25 3CEP MOD MIRA C.G. EVO 30 MIRA C.G. EVO 30 MOD MIRAC G. EVO 30 3CEP MIRA C.G. EVO 30 3CEP MOD MIRA C.G. EVO 35 MIRA C.G. EVO 35 3CEP </div>																		From	to
				1	2	3	4	5	6	7	8	9	10	11	12	13	14	15	16	17	18		
0800	ELECTRICAL BOX																						
0801	FUSE 250V 2A	61003456		•	•	•	•	•	•	•	•	•	•	•	•	•	•	•	•				
0806	PUSH	65104228		•	•	•	•	•	•	•	•	•	•	•	•	•	•	•	•				
0807	IGNITER	60001871		•	•	•	•	•	•	•	•	•	•	•	•	•	•	•	•				
0809	INSPECTION COVER	60001618		•	•	•	•	•	•	•	•	•	•	•	•	•	•	•	•				
0814	CONTROL PANEL	60001616-01		•	•	•	•	•	•	•	•	•	•	•	•	•	•	•	•				
0815	P.C.B. (MAIN)	60001898-03		•	•	•	•	•	•	•	•	•	•	•	•	•	•	•	•				
	P.C.B. (MAIN)	60001899-02		•	•	•	•	•	•	•	•	•	•	•	•	•	•	•	•				
0816	P.C.B. (DISPLAY)	60001906-02		•	•	•	•	•	•	•	•	•	•	•	•	•	•	•	•				
0823	KNOB	60001932		•	•	•	•	•	•	•	•	•	•	•	•	•	•	•	•				
0824	CONTROL PANEL COVER (REAR)	60001617		•	•	•	•	•	•	•	•	•	•	•	•	•	•	•	•				
0825	PRESSURE GAUGE	60001907		•	•	•	•	•	•	•	•	•	•	•	•	•	•	•	•				
0851	FRONT CONTROL PANEL COMPLETE	60001909		•	•	•	•	•	•	•	•	•	•	•	•	•	•	•	•				
0856	CABLE CLAMP	65103377		•	•	•	•	•	•	•	•	•	•	•	•	•	•	•	•				
0880	3-WAY VALVE CABLE	60001621		•	•	•	•	•	•	•	•	•	•	•	•	•	•	•	•				
	CABLE (IGNITION ELECTRODE)	60000527		•	•	•	•	•	•	•	•	•	•	•	•	•	•	•	•				
	CABLE (IONIZATION ELECTRODE)	60001883		•	•	•	•	•	•	•	•	•	•	•	•	•	•	•	•				
	DISPLAY WIRING - 5 WIRES BLUES	60000746		•	•	•	•	•	•	•	•	•	•	•	•	•	•	•	•				
	EARTH WIRE	65104286		•	•	•	•	•	•	•	•	•	•	•	•	•	•	•	•				
	FAN CABLE	60001624		•	•	•	•	•	•	•	•	•	•	•	•	•	•	•	•				
	FEEDER 240V	60001619		•	•	•	•	•	•	•	•	•	•	•	•	•	•	•	•				
	FLOW METER - PRESSURE SENSOR CABLE	60001620		•	•	•	•	•	•	•	•	•	•	•	•	•	•	•	•				
	GAS VALVE CABLE	60001622		•	•	•	•	•	•	•	•	•	•	•	•	•	•	•	•				
	IGNITOR CABLE	60001894		•	•	•	•	•	•	•	•	•	•	•	•	•	•	•	•				
	NTC PROBE - NTC EXCHANGER	60001901		•	•	•	•	•	•	•	•	•	•	•	•	•	•	•	•				
	PUMP 2V CABLE 5M WILO	65104520	WILO	•	•	•	•	•	•	•	•	•	•	•	•	•	•	•	•				
	PUMP 2V CABLE 6M WILO	65109585	WILO	•	•	•	•	•	•	•	•	•	•	•	•	•	•	•	•				
	PUMP CABLE 1V ENER+	60001887	ENER +	•	•	•	•	•	•	•	•	•	•	•	•	•	•	•	•				
0881	CONNECTOR 2P	65111933		•	•	•	•	•	•	•	•	•	•	•	•	•	•	•	•				
	CONNECTOR 3P (x5)	65111934-01		•	•	•	•	•	•	•	•	•	•	•	•	•	•	•	•				
0900	JIG PLATE & PIPE FITTING																						
0902	WATER FLOW SERVICE TAP	60000886		•	•	•	•	•	•	•	•	•	•	•	•	•	•	•	•				
0903	HOT WATER CONNECTION	60000891		•	•	•	•	•	•	•	•	•	•	•	•	•	•	•	•				
0904	GAS SERVICE TAP	60000898		•	•	•	•	•	•	•	•	•	•	•	•	•	•	•	•				
0905	COLD WATER TAP	60000894		•	•	•	•	•	•	•	•	•	•	•	•	•	•	•	•				
0906	WATER FLOW & RETURN SERVI. TAP	60000885		•	•	•	•	•	•	•	•	•	•	•	•	•	•	•	•				
0910	WALL HOOK	60000625		•	•	•	•	•	•	•	•	•	•	•	•	•	•	•	•				
0917	SHEET GASKET D: 24-17-1.5	60061855-19		•	•	•	•	•	•	•	•	•	•	•	•	•	•	•	•				
0928	DISCONNECTOR	60000881		•	•	•	•	•	•	•	•	•	•	•	•	•	•	•	•				
0930	SHEET GASKET D: 11-5-1.5	60061853-07		•	•	•	•	•	•	•	•	•	•	•	•	•	•	•	•				
0936	UNION	60000879		•	•	•	•	•	•	•	•	•	•	•	•	•	•	•	•				
0937	TUBE PVC D: 13x17 L: 1M	60081266-02		•	•	•	•	•	•	•	•	•	•	•	•	•	•	•	•				
0938	TUBE PVC D: 9x12 L: 1M	60081266		•	•	•	•	•	•	•	•	•	•	•	•	•	•	•	•				
0939	SHEET GASKET D: 16.5-11-1.5	60061854-14		•	•	•	•	•	•	•	•	•	•	•	•	•	•	•	•				
0942	FILLER NECK	60001078		•	•	•	•	•	•	•	•	•	•	•	•	•	•	•	•				
5000	ACCESSORIES																						
5001	BURNER JET FULL KIT G31 12-38 KW	60001946-01		•	•	•	•	•	•	•	•	•	•	•	•	•	•	•	•				
5002	BURNER JET FULL KIT G20 12-38 KW	60002785		•	•	•	•	•	•	•	•	•	•	•	•	•	•	•	•				
5020	FRAME SPREADER	60002378		•	•	•	•	•	•	•	•	•	•	•	•	•	•	•	•				
	SUBSTITUTION KIT GRAPHITE+SPRING	60001298		•	•	•	•	•	•	•	•	•	•	•	•	•	•	•	•				

LIST OF THE ABBREVIATIONS

HW	: Hot water.
CW	: Cold water.
C	: Ceramic resistance (normal heating).
Ca	: Ceramic resistance (accelerated heating)
TP	: Immersion heater.
1F	: With fittings.
2F	: Without fittings.
3F	: With fittings and another outlet connection.
AMI	: With mixing valve.
SMI	: Without mixing valve.
PUISS	: Power of th appliance.
PN	: Appliance with normal pression.
LP	: Appliance with low pression.
PV	: Appliance with variable power.
PF	: Appliance with fixed power.

IDENTIFICATION PLATE

SERIAL NUMBER

10 Characters :	04 05 125 011		
		Sequential number	
		Manufacturing day	
		Year of manufacture	
11 Characters :	1 95 065004 - 31		
Month of manufacture :		Technical number of the appliance	
from 1 to 9 → Jan. to Sep.,		Sequential number	
O → Oct., N → Nov.,		Year of manufacture	
D → Dec.			
19 Characters :	08 05 0013199 900640031		
Year of manufacture		Product reference	
Month of manufacture		Sequential number	
20 Characters :	3675007 XX 2 07 070 00315		
Product reference		Sequential number	
Millenium of manufacture		Manufacturing day	
		Year of manufacture	
21 Characters :	3675007 XX 07 070 0000315		
Product reference		Sequential number	
Year of manufacture		Manufacturing day	