

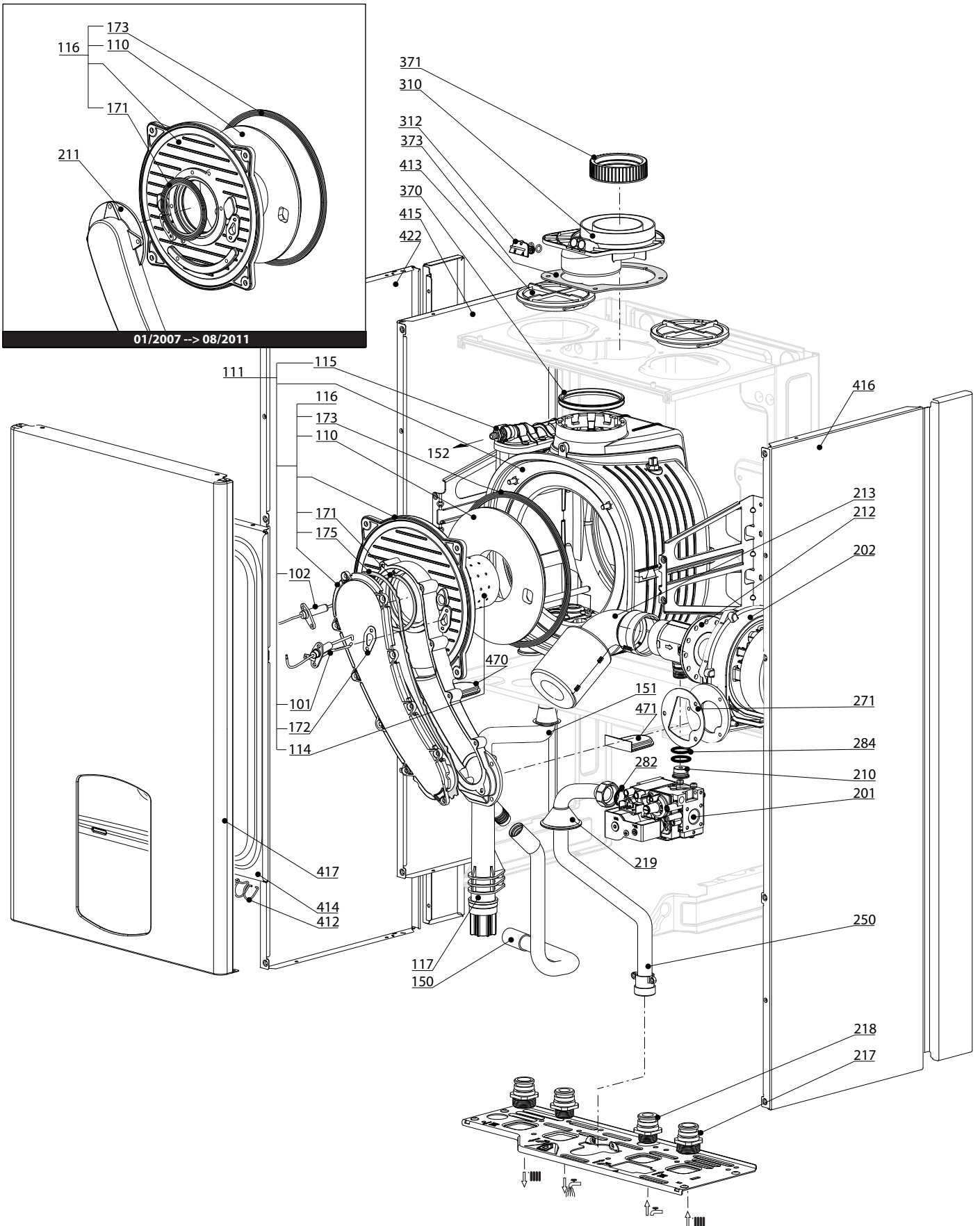
SPARE PARTS EXPLODED VIEW GAS WALL BOILERS

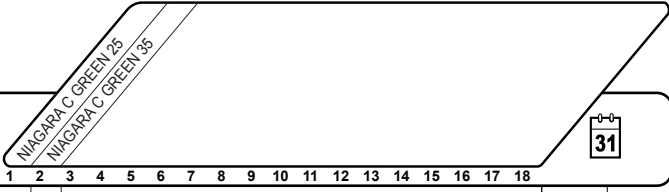
Model

NIAGARA C GREEN

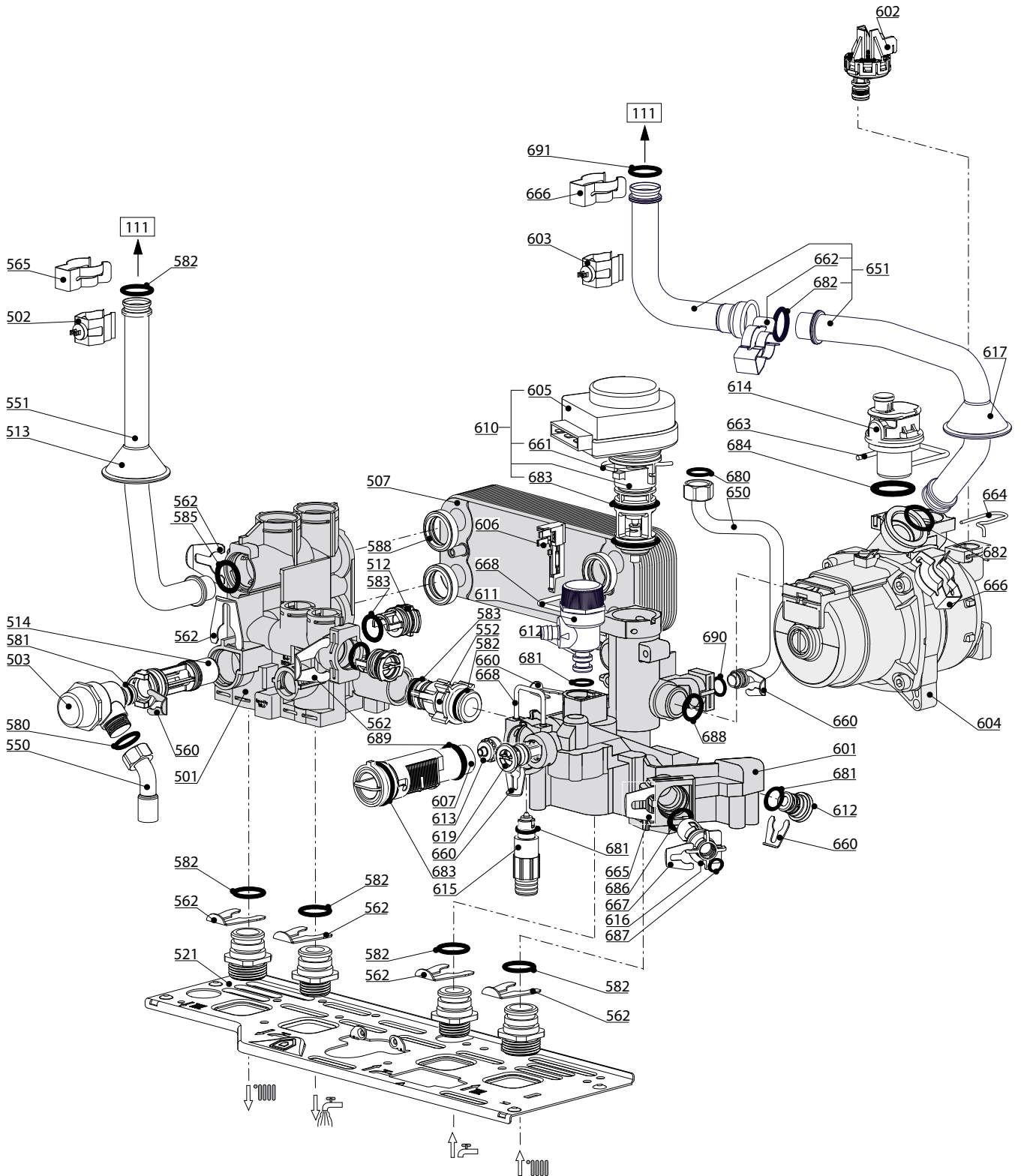
R8203203-08 - 11/03/2013

1	3650317	NIAGARA C GREEN 25 BE	11-2008	12-2011
1	3650345	NIAGARA C GREEN 25FF P	03-2009	11-2009
1	3310086	NIAGARA C GREEN 25 FR BE	02-2010	-
1	3310123	NIAGARA C GREEN 25FF P	02-2010	11-2010
2	3650318	NIAGARA C GREEN 35 BE	11-2008	12-2011
2	3310098	NIAGARA C GREEN 35 FR BE	06-2010	-
Col	Reference	Model type	Begin	End





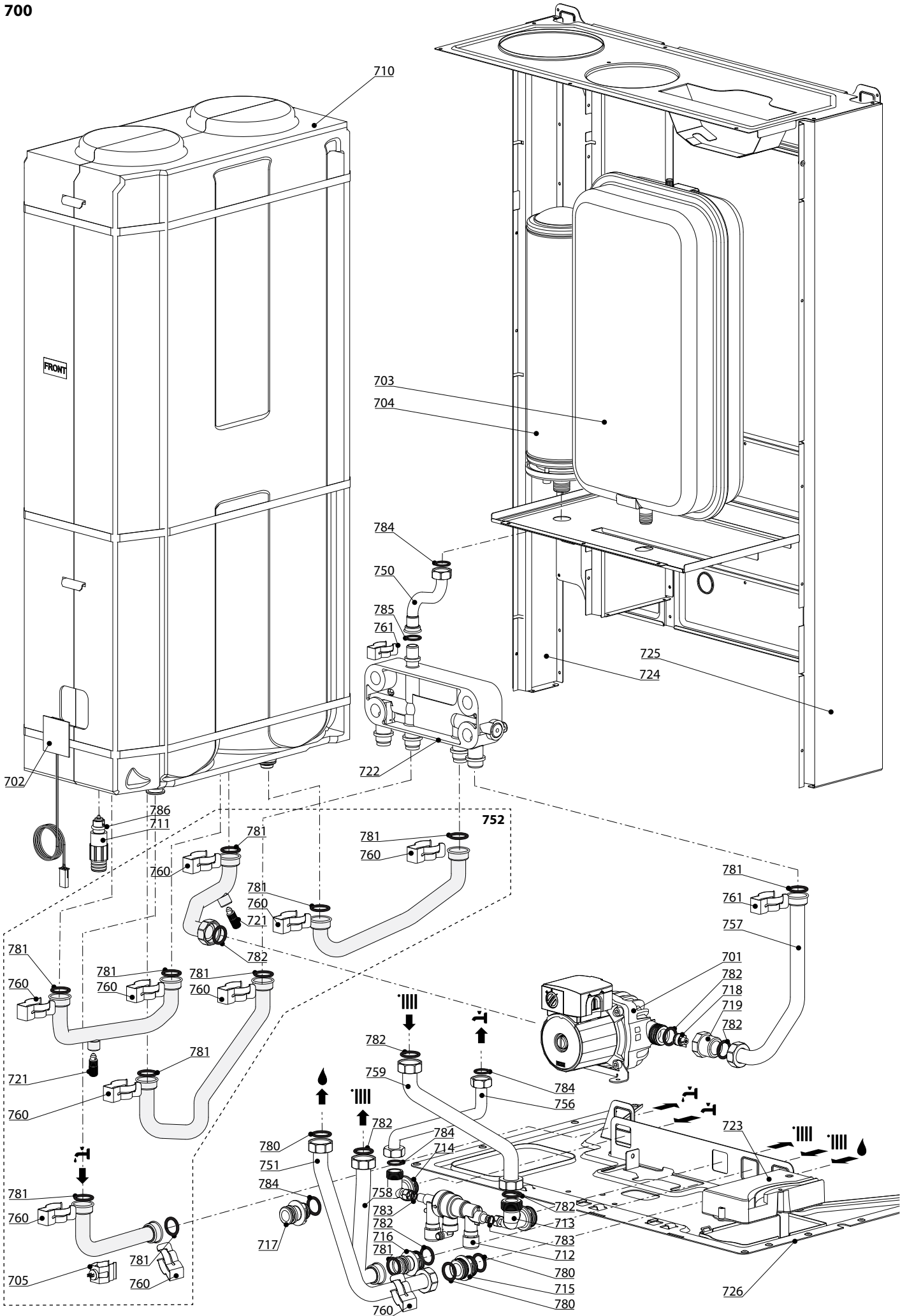
Description	Manf. Pt. N	Type																		
			1	2	3	4	5	6	7	8	9	10	11	12	13	14	15	16	17	18
0100 BURNER ASSEMBLY																				
0101 IGNITION ELECTRODE	60000868-01		•	•																
0102 IONIZATION ELECTRODE	60000867-01		•	•																
0110 INSULATION (FRONTAL)	60000297		•	•																
0111 EXCHANGER 18/24KW	65111608		•																09/11	
EXCHANGER 24KW	60000292		•																	08/11
EXCHANGER 35KW	60000294		•	•															08/11	
EXCHANGER 35KW	65111607		•																09/11	
0114 BURNER 18/24KW	60000288-01		•																	
BURNER 35KW	60000287-01		•	•																
0115 AIR SEPARATOR	60000994		•	•																
0116 DOOR ASSY	60000318		•	•																08/11
DOOR ASSY	65111604		•	•															09/11	
0117 TRAP	60000987		•	•																
0150 TUBE PVC D:19 L:500	60000976		•	•																
0151 OUTGOING CONDENSATION TUBE	60000858		•	•																
0152 SILICONE TUBE D: 8x1 L: 0.15M	60001013		•	•																
0171 GASKET D:80.6-1.8	60001610		•	•															09/11	
GASKET D:85-66.5-2.5	61314753		•	•																08/11
0172 ELECTRODE GASKET	60000286-01		•	•																
0173 DOOR GASKET	60000623		•	•																
0175 GASKET	60001609		•	•															09/11	
0200 GAS SECTION																				
0201 GAS VALVE	60000537		•	•																
0202 FAN ASSY	60000622		•	•																
0210 GAS RESTRICTOR D: 3.80	60000632	GPL	•																	
GAS RESTRICTOR D: 5.20	60000733	GPL	•																	
0211 DUCT FIRST SECTION	60000290		•	•																
0212 VENTURI D: 17MM	60000536		•																	
VENTURI D: 21	60000587		•	•															09/11	
VENTURI D: 25	60000621		•	•																08/11
0213 SILENCER	60000539		•	•															08/11	
SILENCER	65111609		•	•															09/11	
0217 UNION (3/4)	65104326		•	•																
0218 UNION (1/2)	65104327		•	•																
0219 GROMMET	61010109		•	•																
0250 GAS TUBE	60000860		•																	
GAS TUBE	60000975		•	•																
0271 GASKET	61306072		•	•																
0282 SHEET GASKET D: 24-18.2-1.5	60022835-01		•	•																
0284 O-RING D: 17.76-1.78	61308092		•	•																
0300 FAN ASSEMBLY																				
0310 BI FLUX CONNECTION	60000523		•	•																
0312 FLUE INTAKE PLUG	65104295		•	•																
0370 SEALING RING 80mm	60000315		•	•																
0371 GASKET	60000316		•	•																
0373 GASKET	60000317		•	•																
0400 SEALED CASE																				
0412 SPRING FRONT PANEL (KIT)	65104298		•	•																
0413 AIR RETURN COVER	65104249		•	•																
0414 PANEL (FRONT - SEALED CHAMBER)	65105678		•	•																
0415 CASE PANEL (L.H. SIDE)	65105676		•																	
LEFT HAND PANEL	60000980		•																	
0416 HAND PANEL	60001244		•																	
RIGHT SIDE PANEL	60001245		•																	
0417 CASE PANEL (FRONT)	60001246		•	•																
0422 HAND PANEL	60001244		•	•																
0470 CABLE INLET RUBBER WASHER	60000540		•	•																
0471 CABLE INLET RUBBER WASHER	60000541		•	•																



NIAGARA C GREEN 25
NIAGARA C GREEN 35

31

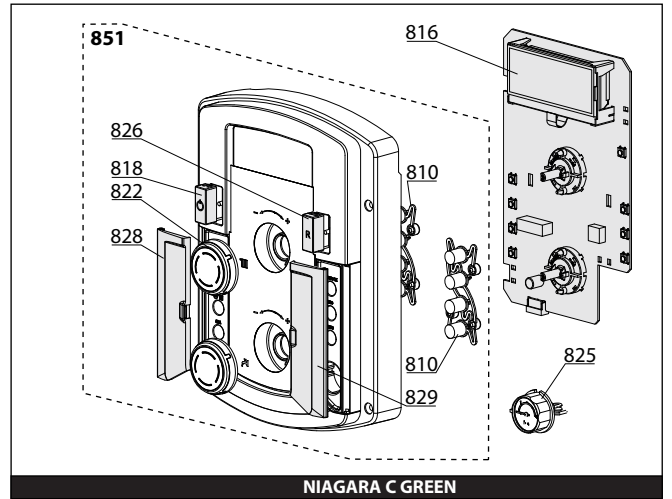
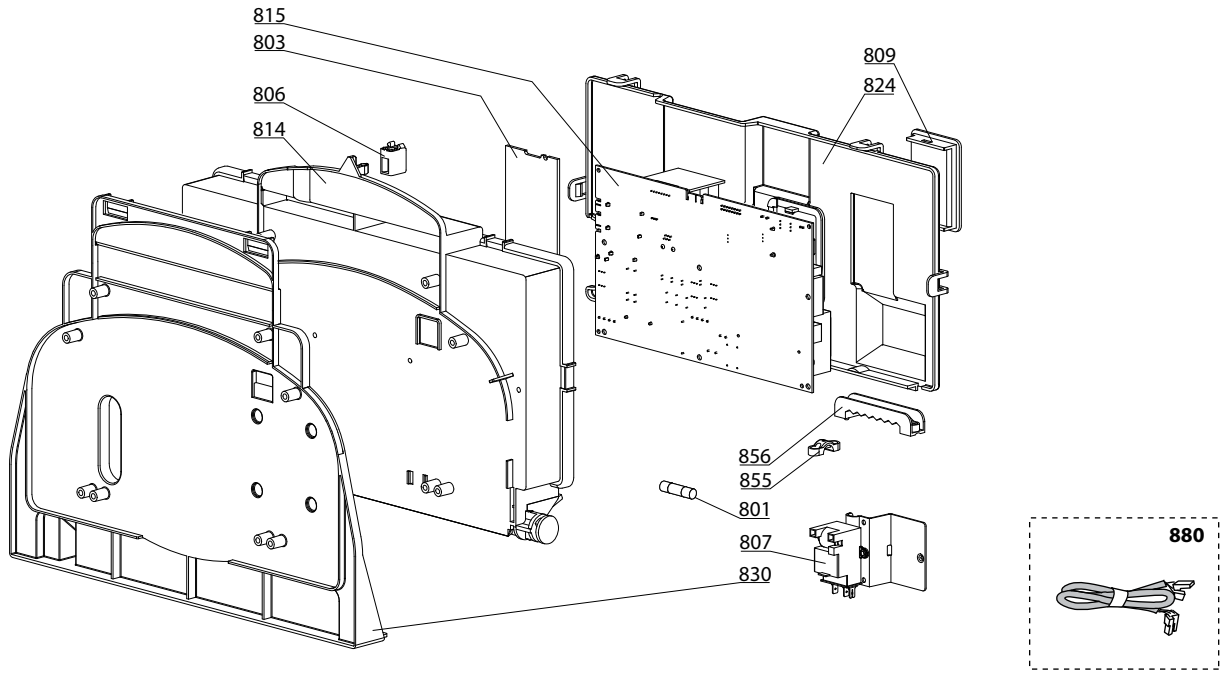
☉➔	Description	Manf. Pt. N	Type																		
				1	2	3	4	5	6	7	8	9	10	11	12	13	14	15	16	17	18
0500	FLOW GROUP																				
0501	FLOW GROUP	60000844		•	•																
0502	TEMPERATURE PROBE + CLIP	990686		•	•																
0503	PRESSURE RELIEF VALVE 3 BAR	61312668		•	•																
0507	WATER / WATER HEAT EXCHANGER 16	65104333		•	•																
0512	PLUG	65104445		•	•																
0513	GROMMET	61010109		•	•																
0514	BY-PASS	65104336		•	•																
0521	HYDRAULIC GROUP SUPPORT	60001375		•	•																
0550	PIPE (SAFETY VALVE)	65104447		•	•																
0551	HEATING FLOW TUBE	60000859		•																	
	HEATING FLOW TUBE	60000981			•																
0552	BY-PASS PIPE	65104340		•	•																
0560	CLIP D:10	65104260		•	•																
0562	CLIP D=18	65104259		•	•																
0565	CLIP	60000309		•	•																
0580	SHEET GASKET D: 13.9-10.4-1.5	60061853-02		•	•																
0581	O - RING (15.88X2.62)	65104337		•	•																
0582	O-RING D: 17.86-2.62	61308091		•	•																
0583	O - RING (15.54X2.62)	65104325		•	•																
0585	O-RING 3,53X17,04	65104262		•	•																
0588	EXCHANGER GASKET	65104334		•	•																
0600	RETURN GROUP																				
0601	RETURN GROUP	60000874		•	•																
0602	PROPORTIONAL PRESSURE SWITCH	65104321		•	•																
0603	TEMPERATURE PROBE + CLIP	990686		•	•																
0604	PUMP 6M 2V	60000591		•	•																
0605	MOTOR - THREE-WAY VALVE	61302483-01		•	•																
0606	SENSOR (REED)	65104323		•	•																
0607	FLOW METER	60000870		•	•																
0610	MOTOR + SPRING 3 WAY VALVE KIT	60001583		•	•																
0611	PRESSURE RELIEF VALVE 7 BARS	60000171		•	•																
0612	PLUG	65104377		•	•																
0613	RIDUCTORS (KIT)	65104318		•	•																
0614	AUTO AIR VENT WITH O-RING	65104703		•	•																
0615	KIT DRAIN SCREW	60001385		•	•																
0616	WATER FILTER	60001372		•	•																
0617	GROMMET	61010109		•	•																
0619	PLUG	65104377		•	•																
0650	PIPE (EXPANSION VESSEL)	60001247		•	•																
0651	HEATING RETURN TUBE	60000857		•	•																
0660	CLIP D:10	65104260		•	•																
0661	CLIP	65104332		•	•																
0662	CLIP	61307589		•	•																
0663	U-CLIP	65104704		•	•																
0664	CLIP	65104322		•	•																
0665	CLIP	65104331		•	•																
0666	CLIP	60000309		•	•																
0667	CLIP	65100680		•	•																
0668	CLIP	65104316		•	•																
0680	GASKET 3/8	573521		•	•																
0681	O - RING (9.19X2.62)	65104313		•	•																
0682	O-RING 3,53X17,04	65104262		•	•																
0683	O - RING (23.47X2.62)	65104315		•	•																
0684	O-RING	65104705		•	•																
0686	O - RING (15.54X2.62)	65104325		•	•																
0687	O RING D: 5.7-1.9	61009834-10		•	•																
0688	O - RING (21.89X2.62)	65104320		•	•																
0689	O-RING 17,17X1,78	65104303		•	•																
0690	O-RING D: 8.9-2.7	61009834-14		•	•																
0691	O-RING D: 17.86-2.62	61308091		•	•																



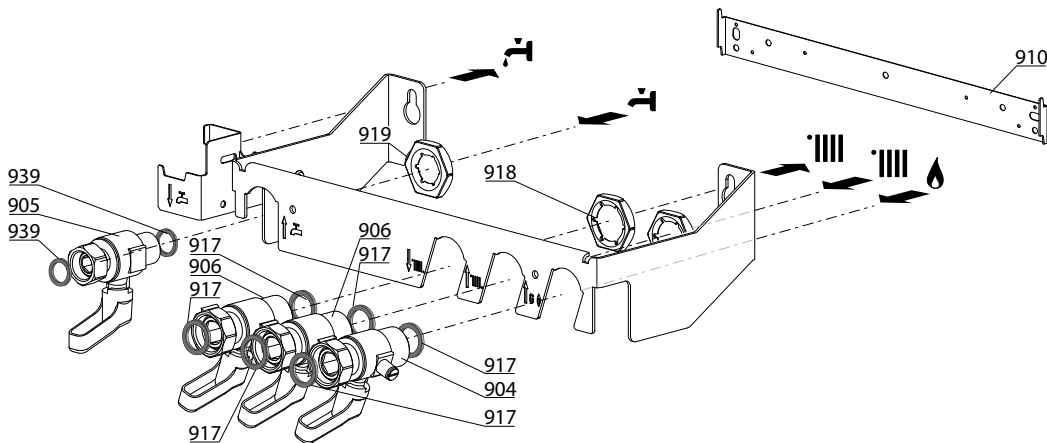
NIAGARA C GREEN 25
 NIAGARA C GREEN 35

31

☉⇒	Description	Manf. Pt. N	Type																		
				1	2	3	4	5	6	7	8	9	10	11	12	13	14	15	16	17	18
0700	HOT WATER TANK																				
0701	PUMP DHW	60001331		•	•																
0702	NTC PROBE	60000822		•	•																
0703	EXPANSION VESSEL 12L	60001243		•	•																
0704	EXPANSION VESSEL 2L	61316921		•	•																
0705	TEMPERATURE PROBE + CLIP	990686		•	•																
0710	CYLINDER 40L	60001249-01		•	•																
0711	KIT DRAIN SCREW	60001385		•	•																
0712	DISCONNECTOR	60000263		•	•																
0713	CONNECTION M/M 3/4	60001325		•	•																
0714	CONNECTION M/M 1/2	60001326		•	•																
0715	GAS CONNECTION	60001327		•	•																
0716	HEATING RETURN CONNECTION	60001328		•	•																
0717	HOT WATER CONNECTION	60001329		•	•																
0718	NON-RETURN VALVE	60001330		•	•																
0719	CONNECTION	60001333		•	•																
0721	DRAIN SCREW ASSY	60081904		•	•																
0722	INTERFACE SYSTEM	60001342		•	•																
0723	CONNECTION BOX	60001252		•	•																
0724	LONGERON 130mm	60001384		•	•																
	LONGERON 65mm	60001383		•	•																
0725	LONGERON 130mm	60001384		•	•																
0726	HYDRAULIC GROUP SUPPORT	60001599		•	•																
0750	PIPE (EXPANSION VESSEL)	60001248		•	•																
0751	GAS TUBE	60001316		•	•																
	GAS TUBE	60001335		•	•																
0752	KIT FLEXIBLE SANITARY	60001948		•	•																
0756	INLET PIPE	60001324		•	•																
	INLET PIPE	60001341		•	•																
0757	TUBE - PUMP DHW	60001321		•	•																
	TUBE - PUMP DHW	60001339		•	•																
0758	HEATING TUBE	60001322		•	•																
	HEATING TUBE	60001340		•	•																
0759	HEATING TUBE	60001320		•	•																
	HEATING TUBE	60001338		•	•																
0760	CLIP	61307589		•	•																
0761	CLIP	65105109		•	•																
0780	SHEET GASKET D: 24-18.2-1.5	60022835-01		•	•																
0781	O-RING 3,53X17,04	65104262		•	•																
0782	SHEET GASKET D: 24-18.2-1.5	60061855-01		•	•																
0783	SHEET GASKET D: 8.5-4.1-1.5	60001363		•	•																
0784	WASHER D: 18.4-12.2-1.5	60061855-14		•	•																
0785	O - RING (13X2)	65105108		•	•																
0786	O - RING (9.19X2.62)	65104313		•	•																



900




5000

5001
 Transf. gaz > B/P
 Conv. gas > LPG
 Trasn. gas > GPL
 Transf. gas > B/P
 Umrustsatz > B/P

5002
 Transf. gaz > Nat
 Conv. gas > Nat
 Trasn. gas > Met
 Transf. gas > Met
 Umrustsatz > Nat

5020
 Options
 Accessories
 Opzioni
 Accessorio
 Option

☉⇒	Description	Manf. Pt. N	Type	 																		
				1	2	3	4	5	6	7	8	9	10	11	12	13	14	15	16	17	18	
0800	ELECTRICAL BOX																					
0801	FUSE 250V 2A - TEMPORIZED	61003456		•	•																	
0803	P.C.B (CLIP-IN) E-BUS	65109108		•	•																	
0806	PUSH	65104228		•	•																	
0807	IGNITER	61002105-20		•	•																	
0809	INSPECTION COVER	65104294		•	•																	
0810	PUSH BUTTON	60000978		•	•																	
0814	CONTROL PANEL	60001362		•	•																	
0815	P.C.B. (MAIN)	65109138-03		•	•																	
0816	PRINTED CIRCUIT BOARD (DISPLAY)	60000760-01		•	•																	
0818	PUSH BUTTON ON/OFF	60000809		•	•																	
0822	KNOB	60000762		•	•																	
0824	CONTROL PANEL COVER (REAR)	65104293		•	•																	
0825	PRESSURE GAUGE	60000725		•	•																	
0826	BUTTON (RESET)	60000806		•	•																	
0828	LEFT HAND DOOR	60000761		•	•																	
0829	RIGHT HAND DOOR	60000759		•	•																	
0830	BASE - BOX	60001315		•	•																	
0851	FRONT CONTROL PANEL COMPLETE	60000805		•	•																	
0855	CABLE CLAMP	571562		•	•																	
0856	CABLE CLAMP	65103377		•	•																	
0880	CLIP-IN E-BUS WIRING	65105169	/ CN11	•	•																	
	DISPLAY WIRING	60001250	/ CN02	•	•																	
	EARTH WIRE	65104286		•	•																	
	ELECTRODE IGNITION CABLE	60000527		•	•																	
	FEEDER 240V	60001361	/ CN20	•	•																	
	FLOW METER CABLE	60000813	/ CN14	•	•																	
	HEAT SENSOR CABLE	60001314	/ CN04	•	•																	
	IGNITOR - GAS VALVE CABLE	60000543	/ CN03	•	•																	
	IONIZATION ELECTRODE CABLE	60000567	/ CN05	•	•																	
	NTC - OVERHEAT - PRESSURE SENSOR CABLE	60001135	/ CN04	•	•																	
	NTC PROBE - NTC EXCHANGER - FAN	60001234	/ CN22	•	•																	
	PUMP 2V CABLE 5M	65104520	/ CN10	•	•																	
	ROOM THERMOSTAT CABLE	60001253	/ CN25	•	•																	
	THREE WAY VALVE CABLE	65104523	/ CN09	•	•																	
0900	JIG PLATE & PIPE FITTING																					
0904	GAS SERVICE TAP	61313366		•	•																	
0905	WATER TAP	61313368		•	•																	
0906	WATER FLOW & RETURN SERVI. TAP	61313367		•	•																	
0910	WALL HOOK	60001251		•	•																	
0917	SHEET GASKET D: 24-17-1.5	60061855-19		•	•																	
0918	LOCK NUT	60031140		•	•																	
0919	CONTRODADO H 1/2	60031139		•	•																	
0939	WASHER D: 18.4-12.2-1.5	60061855-14		•	•																	
5000	ACCESSORIES																					
5001	BURNER JET FULL KIT (LPG)	60000752		•	•																	
	BURNER JET FULL KIT (LPG)	60000754		•	•																	
5020	AIR RETURN MANIFOLD	65104710		•	•																	
	CLEANING KIT CONDENSATION	60000982		•	•																	

LIST OF THE ABBREVIATIONS

HW	: Hot water.
CW	: Cold water.
C	: Ceramic resistance (normal heating).
Ca	: Ceramic resistance (accelerated heating)
TP	: Immersion heater.
1F	: With fittings.
2F	: Without fittings.
3F	: With fittings and another outlet connection.
AMI	: With mixing valve.
SMI	: Without mixing valve.
PUISS	: Power of th appliance.
PN	: Appliance with normal pression.
LP	: Appliance with low pression.
PV	: Appliance with variable power.
PF	: Appliance with fixed power.

IDENTIFICATION PLATE

SERIAL NUMBER

10 Characters :	04 05 125 011	Sequential number Manufacturing day Year of manufacture
11 Characters :	1 95 065004 - 31	Technical number of the appliance Sequential number Year of manufacture
Month of manufacture : from 1 to 9 → Jan. to Sep., O → Oct., N → Nov., D → Dec.		
19 Characters :	08 05 0013199 900640031	Product reference Sequential number
Year of manufacture Month of manufacture		
20 Characters :	3675007 XX 2 07 070 00315	Sequential number Manufacturing day Year of manufacture
Product reference Millenium of manufacture		
21 Characters :	3675007 XX 07 070 0000315	Sequential number Manufacturing day
Product reference Year of manufacture		