

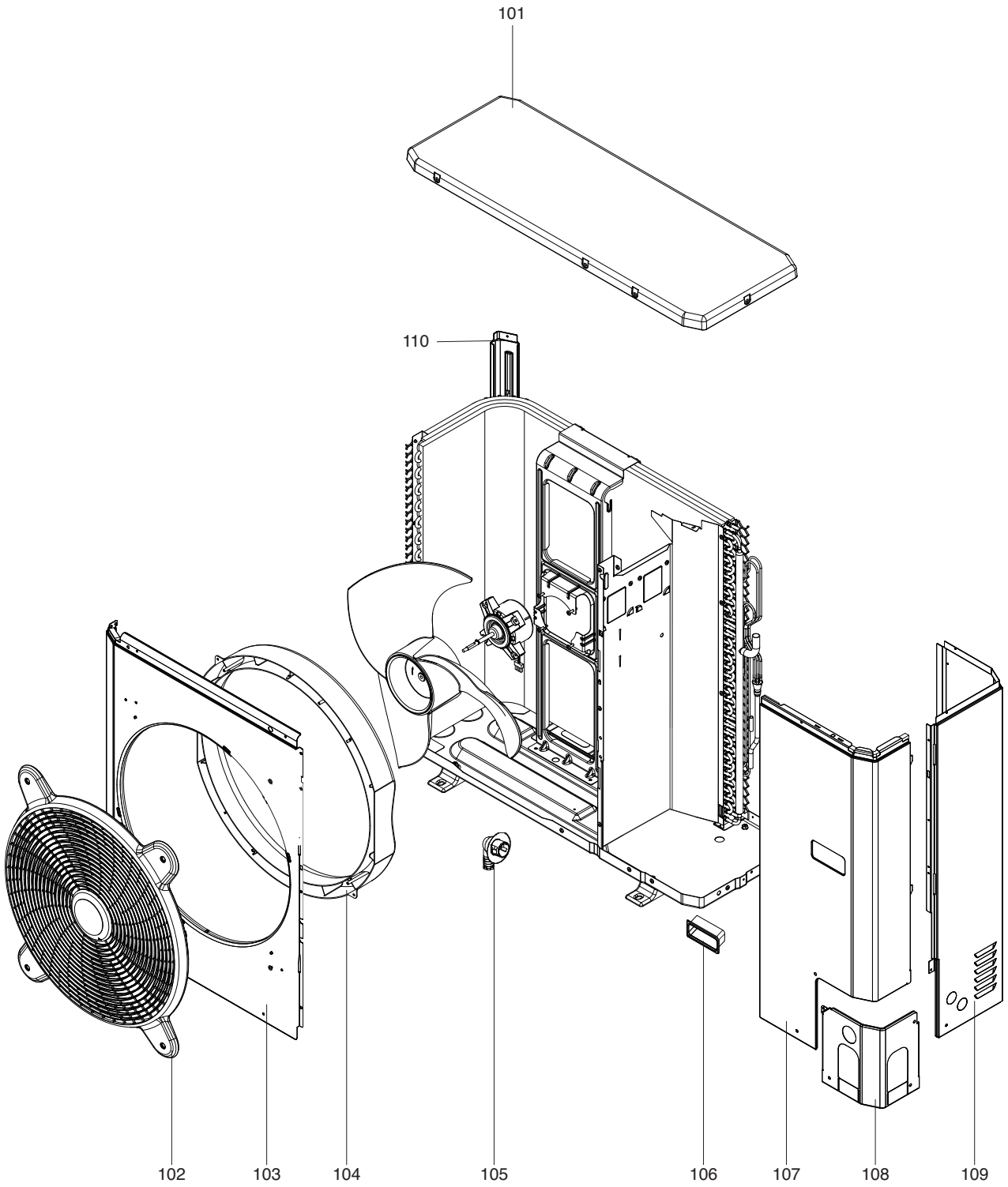
SPARE PARTS EXPLODED VIEW HEAT PUMPS

Model

ARIANEXT

R8217933-03 - 26/10/2018

1	3086026	ARIANEXT EXTERNAL UNIT 04 KW	10-2013	-
1	3089020	ARIANEXT EXTERNAL UNIT 03 KW	09-2015	-
2	3086029	ARIANEXT EXTERNAL UNIT 06 KW	10-2013	-
3	3086030	ARIANEXT EXTERNAL UNIT 08 KW	10-2013	-
4	3069440	ARIANEXT EXTERNAL UNIT 04 KW	08-2015	-
5	3069441	ARIANEXT EXTERNAL UNIT 06 KW	08-2015	-
6	3069442	ARIANEXT EXTERNAL UNIT 08 KW	08-2015	-
Col	Reference	Model type	Begin	End



03-04-3086020(3089020)
 08kw (3086029)
 08kw (3086030)
 04kw (3089440)
 08kw (3089441)
 08kw (3089442)

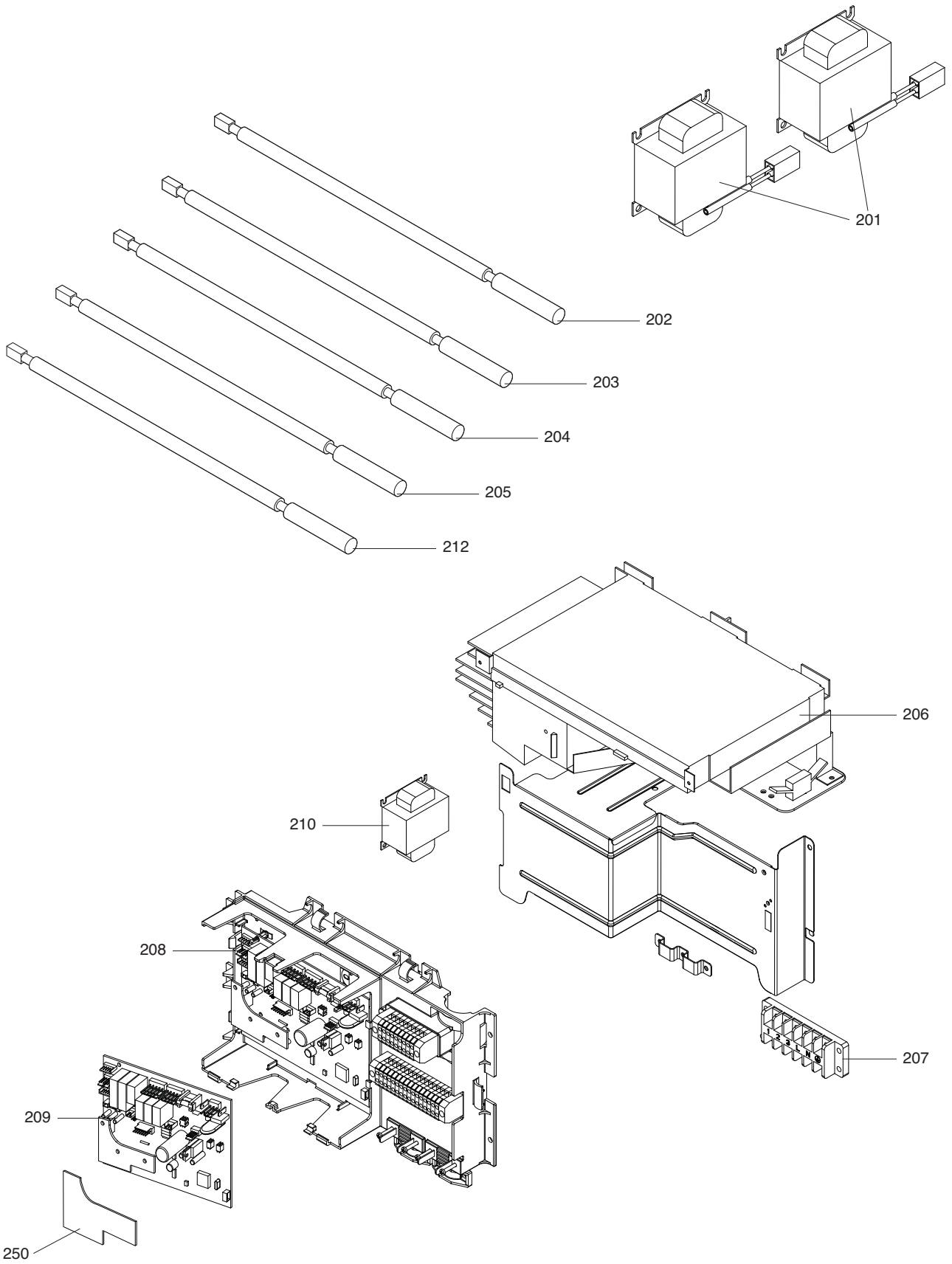
☺ ⇒ Description Manf. Pt. N Type From to

31

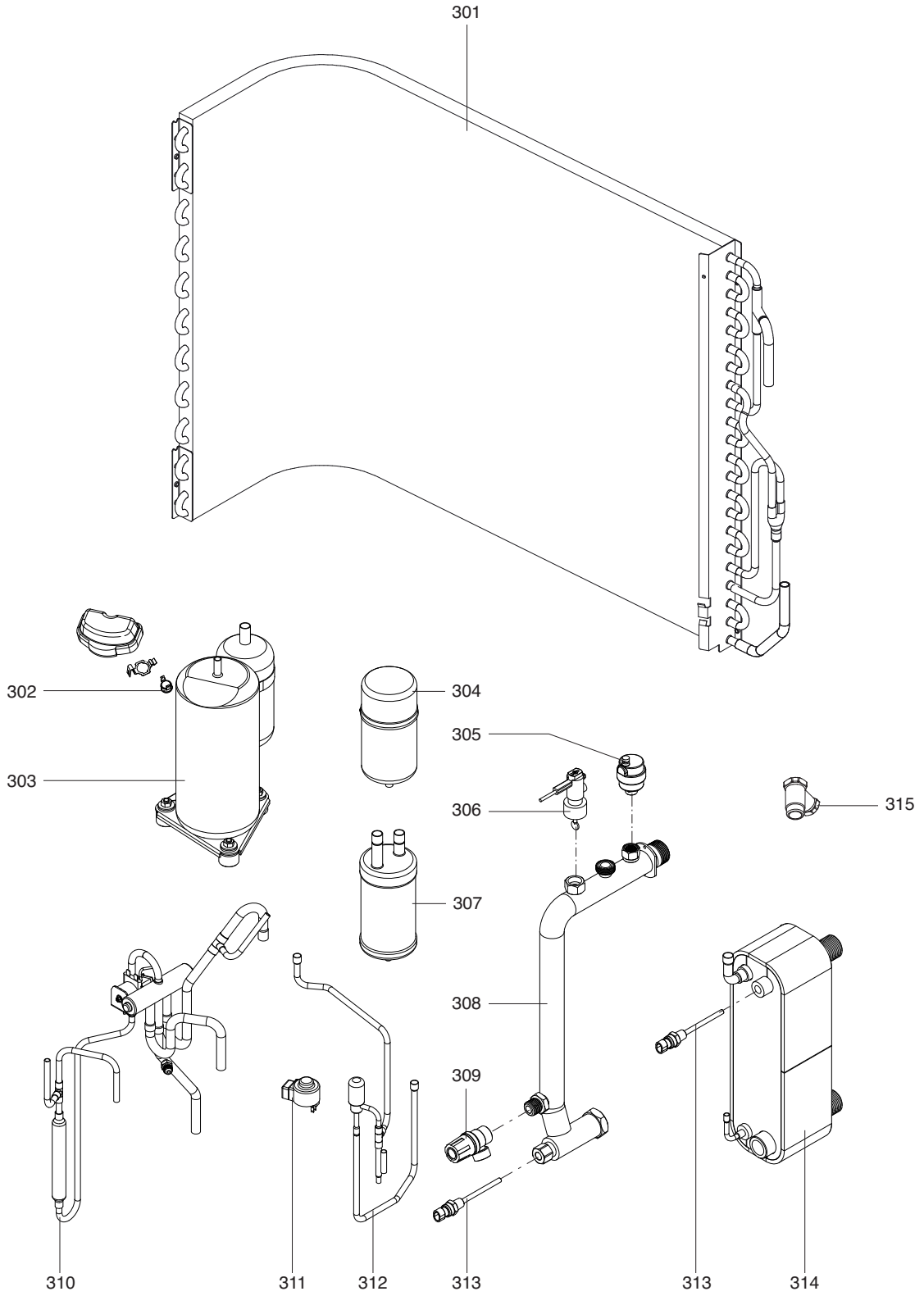
				1	2	3	4	5	6	7	8	9	10	11	12	13	14	15	16	17	18	From	to
0100	CHASSIS-FRONT CASE																						
0101	TOP COVER	65113464		●	●	●	●	●	●														
0102	FRONT GRILL	65113465		●	●	●	●	●	●														
0103	FRONT PANEL	65113460		●	●	●	●	●	●														
0104	BLAST TUBE	65112697		●	●	●	●	●	●														
0105	TERMINAL FOR WATERING	65112732		●	●	●	●	●	●														
0106	HANDLE	65112698		●	●	●																	
	HANDLE	65115198						●	●	●													
0107	FRONT RIGHT PANEL	65113461		●	●	●	●	●	●														
0108	INSPECTION COVER	65113463		●	●	●	●	●	●														
0109	REAR RIGHT CLAPBOARD	65113462		●	●	●	●	●	●														
0110	REAR LEFT CLAPBOARD	65115197						●	●	●													

ARIANEXT EXTERNAL

Heat pumps



☉→	Description	Manf. Pt. N	Type																			From	to
				1	2	3	4	5	6	7	8	9	10	11	12	13	14	15	16	17	18		
0200	ELECTRICAL BOX																						
0201	REACTOR	65112730		●	●	●	●	●	●														
0202	TUBE SENSOR	65112747	TD	●	●	●	●	●	●														
0203	TUBE SENSOR	65112750	TE	●	●	●	●	●	●														
0204	TUBE SENSOR	65112751	TS	●	●	●	●	●	●														
0205	ROOM SENSOR	65112752	TO	●	●	●	●	●	●														
0206	INVERTER BOX ASSY	65112759				●			●														
	INVERTER BOX ASSY	65113472				●			●														
	P.C.B. (INVERTER)	65113471		●				●															
0207	TERMINAL BOARD 6P-20A	65112756		●	●	●	●	●	●														
0208	P.C.B. (MAIN) BOX ASSEMBLY	65115214						●	●	●													
0209	P.C.B. (MAIN)	65112735		●	●	●	●	●	●														
0210	TRASFORMER	65114652		●	●	●	●	●	●														
0212	TUBE SENSOR	65112755	TR	●	●	●	●	●	●														
0250	COMMUNICATION BOARD	65116413		●	●	●	●	●	●														

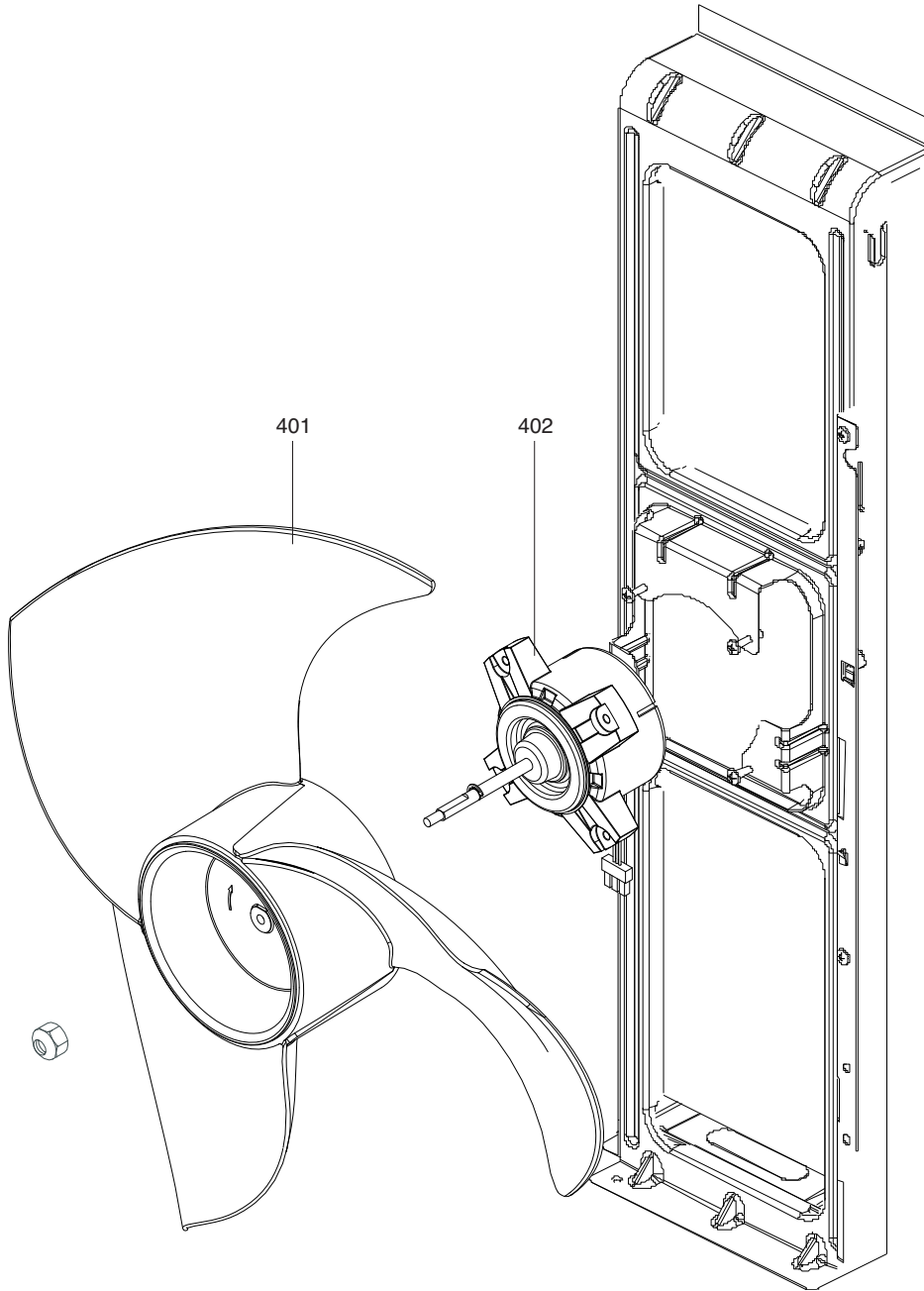


03-04-3086020(3086020)
 09kw
 03086029
 09kw
 03086030
 04kw
 03089440
 09kw
 03089441
 09kw
 03089442

	Description	Manf. Pt. N	Type	03-04-3086020(3086020)																		From	to				
				1	2	3	4	5	6	7	8	9	10	11	12	13	14	15	16	17	18						
0300	REFRIGERATION UNIT																										
0301	CONDENSER	65112699				●																					
	CONDENSER	65112700					●																				
	CONDENSER	65113466			●																						
	CONDENSER	65115199								●	●																
	CONDENSER	65115200																									
0302	PROTECTOR (OVERLOAD)	65112711			●	●	●	●	●	●	●																
0303	COMPRESSOR	65112707				●					●																
	COMPRESSOR	65112708					●																				
	COMPRESSOR	65113467			●						●																
0304	ACCUMULATOR CYLINDER	65112714			●	●																					
	ACCUMULATOR CYLINDER	65112715									●																
	ACCUMULATOR CYLINDER	65115204									●	●															
0305	AUTO AIR VENT	65112744			●	●	●	●	●	●	●																
0306	WATER FLOW SWITCH	65113475			●	●				●																	
	WATER FLOW SWITCH	65113476								●		●	●														
0307	ACCUMULATOR TANK	65112712			●	●	●	●	●	●	●																
0308	EXCHANGER PIPE	65113470			●	●	●	●	●	●	●																
0309	WATER SAFETY VALVE	65112745			●	●	●	●	●	●	●																
0310	4-WAY VALVE	65113468			●	●					●	●															
	4-WAY VALVE	65113469									●																
0311	SOLENOID VALVE COIL	65112722								●																	
	VALVE WITH COIL	65118244			●	●					●	●															
0312	SOLENOID VALVE	65112717			●	●																					
	SOLENOID VALVE	65112718								●																	
	SOLENOID VALVE	65115206										●	●														
	SOLENOID VALVE	65115207																									
0313	WATER SENSOR	65112742			●	●	●	●	●	●	●																
0314	EXCHANGER	65115215									●																
	EXCHANGER	65115216																									
	EXCHANGER	65115217																									
	EXCHANGER	65113474								●																	
	EXCHANGER	65112737									●																
	EXCHANGER	65112738										●															
0315	WATER FILTER	65113667			●	●	●	●	●	●	●																

ARIANEXT EXTERNAL

Heat pumps



LIST OF THE ABBREVIATIONS

HW	: Hot water.
CW	: Cold water.
C	: Ceramic resistance (normal heating).
Ca	: Ceramic resistance (accelerated heating)
TP	: Immersion heater.
1F	: With fittings.
2F	: Without fittings.
3F	: With fittings and another outlet connection.
AMI	: With mixing valve.
SMI	: Without mixing valve.
PUISS	: Power of th appliance.
PN	: Appliance with normal pression.
LP	: Appliance with low pression.
PV	: Appliance with variable power.
PF	: Appliance with fixed power.

The indications mentioned on the prices, commercial or technical literature and the scheme are written for your guidance and are available at a given time. The CONSTRUCTOR retains the power to modify the presentation, the form, the size, the conception or the material of the products.
