



**CHAFFOTEAUX  
& MAURY**

**SPARE PARTS EXPLODED VIEW  
STORAGE GAS WATER HEATERS**

Model

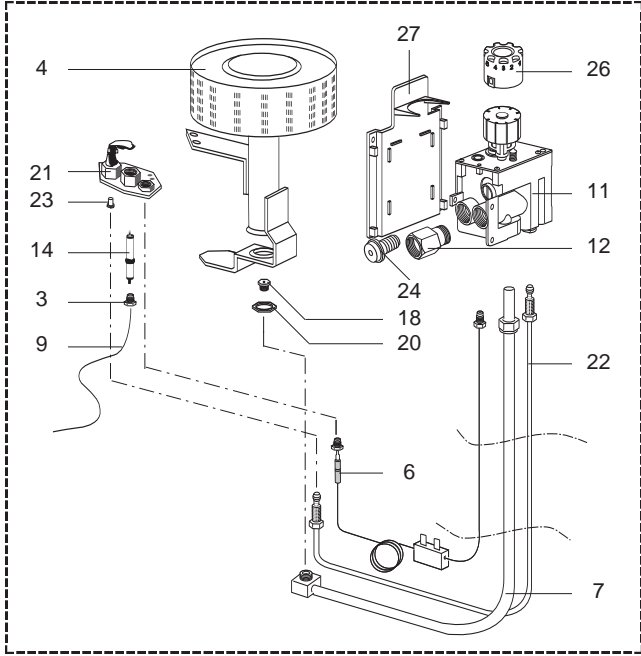
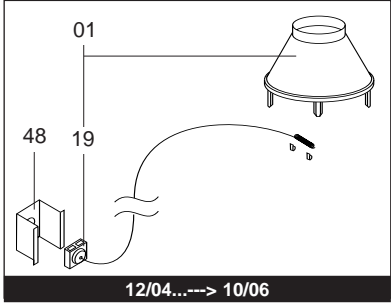
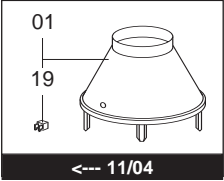
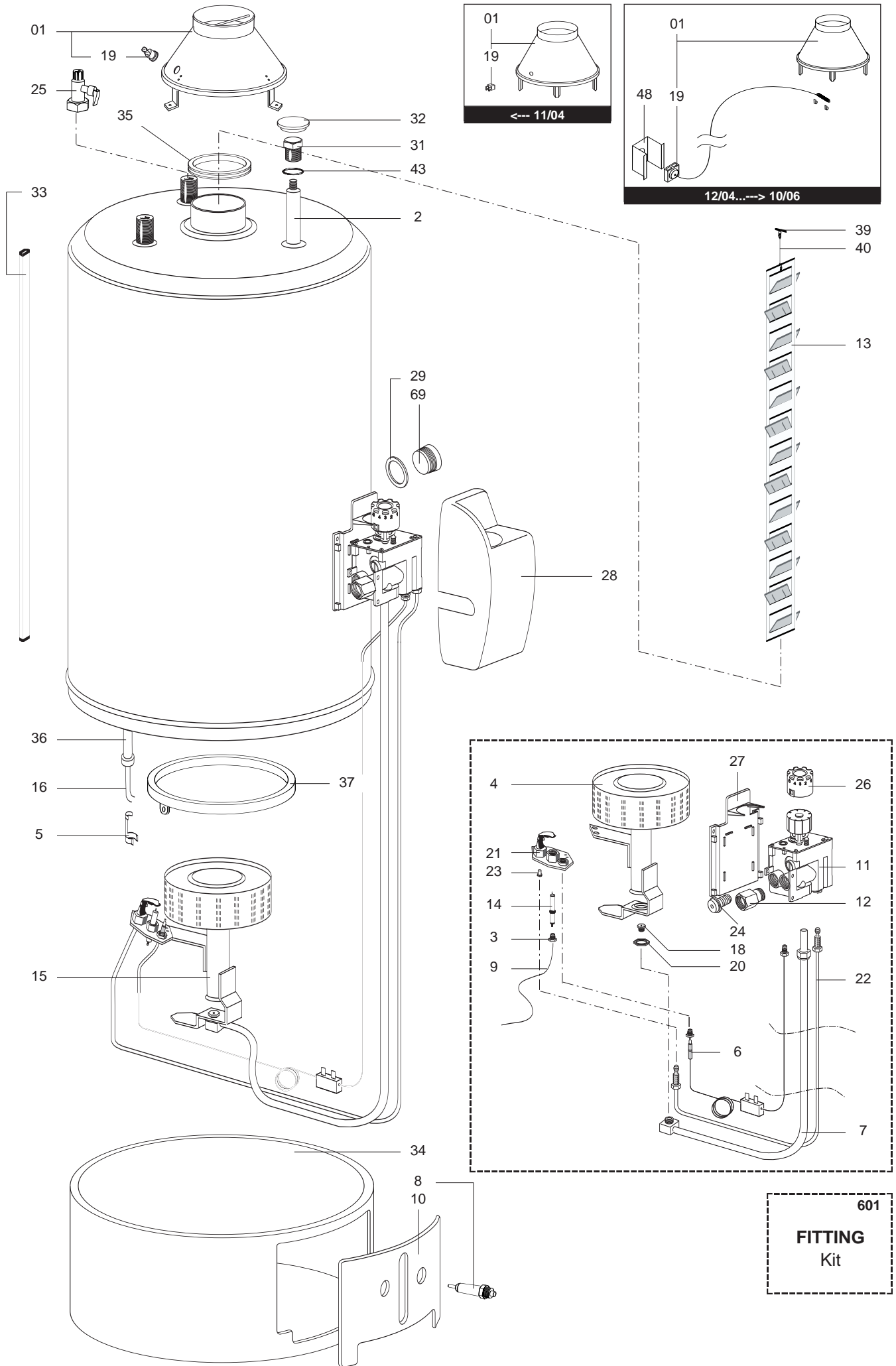
**Q9 GF**

R8215755-01EN - Edition 01 - 01/11/2006

Q9 GF

Storage Gas Water Heaters

007256		Q9 30 GF C&M	...	...
007257		Q9 40 GF C&M	...	...
007258		Q9 50 GF C&M	...	...
Reference	Ind.	Model type	Begin	End



Key N	Description	Manf. Pt. N	Other	Type				Manf. date	
					30	40	50	from	to
0001	FLUE HOOD (COMPLETE)	289742			•	•	•		11/04
	FLUE HOOD (COMPLETE)	65101030			•	•	•	12/04	10/06
	FLUE HOOD (COMPLETE)	65104725						11/06	
0002	ANODE D:21,3 L:800 M8	291086			•	•	•		
0003	IGNITION ELECTRODE FIXING FITTING	230712			•	•	•		
0004	BURNER	290990			•	•	•		
0005	SPRING (PROBE CLAMP)	290356			•	•	•		
0006	THERMOCOUPLE (INTERRUPTED)	65103658			•	•	•		
0007	PIPE (GAS VALVE/BURNER)	122452			•	•	•		
0008	PUSH BUTTON (PIEZO)	200254			•	•	•		
0009	CABLE (PIEZO IGNITION)	200259			•	•	•		
0010	COVER (INSPECTION)	290947			•	•	•		
0011	GAS VALVE	107835			•	•	•		
0012	UNION	230776			•	•	•		
0013	FLUE BAFFLE	289280				•			
	FLUE BAFFLE	289295			•				
	FLUE BAFFLE	289296					•		
0014	ELECTRODE (IGNITION)	200253			•	•	•		
0015	BURNER	991792			•				
	BURNER	991795					•		
	BURNER	991794				•			
0016	THERMOSTAT (SAFETY)	65103129			•	•	•		
0018	BURNER JET (NG)	290589		NG			•		
	BURNER JET (NG)	290596		NG			•		
	BURNER JET (NG)	290748		NG	•				
0019	THERMAL PROTECTION	243071			•	•	•		11/04
	BULB THERMOSTAT 85C (UNIPOLAR)	65103656			•	•	•	12/04	10/06
	THERMOSTAT (OVERHEAT)	65104733			•	•	•	11/06	
0020	NUT	240151			•	•	•		
0021	BURNER (PILOT)	290643			•	•	•		
0022	PIPE (GAS VALVE/PILOT BURNER)	122454			•	•	•		
0023	BURNER JET (PILOT)	290727		LG	•	•	•		
	BURNER JET (PILOT)	290726		NG	•	•	•		
0024	REGULATOR (PRESSURE)	243020			•	•	•		
0025	SAFETY VALVE	469446			•	•	•		
0026	COVER (GAS VALVE KNOB)	220288			•	•	•		
0027	SUPPORT PLATE (GAS VALVE)	220286			•	•	•		
0028	GAS VALVE CASING (EUROSIT)	220287			•	•	•		
0029	RUBBER GASKET	290128			•	•	•		
0031	PLUG	230536			•	•	•		
0032	BOSS	220550			•	•	•		
0033	ADHESIVE CHANNEL (THERMAL PROTECTOR)	65103128			•				
	ADHESIVE CHANNEL (THERMAL PROTECTOR)	65103132				•			
	ADHESIVE CHANNEL (THERMAL PROTECTOR)	65103133					•		
0034	BASE	65104833			•	•	•	11/06	
	BASE	289450			•	•	•		10/06
0036	SHEATH	990475			•				
	SHEATH	123516			•	•	•		
0037	WATER TRAY	290919			•	•	•		
0039	SPRING (FLUE BAFFLE SUPPORT)	290450			•	•	•		
0040	EXTENSION (FLUE BAFFLE - L=250MM)	290192				•			
	EXTENSION (FLUE BAFFLE - L=342MM)	290017					•		
0043	O-RING	289442			•	•	•		
0048	FUME THERMOSTAT PROTECTION	220374			•	•	•	12/04	10/06
0069	DISCHARGE PLUG	230519			•	•	•		

Q9 GF

Storage Gas Water Heaters

## LIST OF THE ABBREVIATIONS

HW .....	: Hot water.
CW .....	: Cold water.
C .....	: Ceramic resistance (normal heating).
Ca .....	: Ceramic resistance (accelerated heating)
TP .....	: Immersion heater.
1F .....	: With fittings.
2F .....	: Without fittings.
3F .....	: With fittings and another outlet connection.
AMI .....	: With mixing valve.
SMI .....	: Without mixing valve.
PUISS .....	: Power of th appliance.
PN .....	: Appliance with normal pression.
LP .....	: Appliance with low pression.
PV .....	: Appliance with variable power.
PF .....	: Appliance with fixed power..

## IDENTIFICATION PLATE

### SERIAL NUMBER (to 10/96)

Ex: 065004 01 95

Year of manufacture  
Month of manufacture : from 1 to 12 → January to December  
Sequential number

### SERIAL NUMBER (from 11/96)

Ex: 01 95 065004

Sequential number  
Year of manufacture  
Month of manufacture : from 1 to 12 → January to December

The indications mentioned on the prices, commercial or technical literature and the scheme are written for your guidance and are available at a given time. The CONSTRUCTOR retains the power to modify the presentation, the form, the size, the conception or the material of the products.