



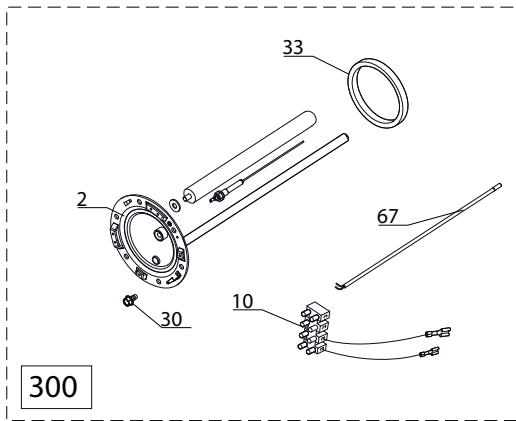
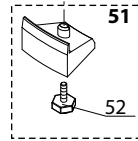
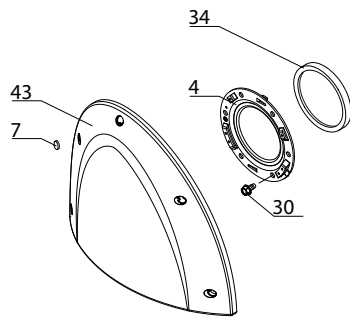
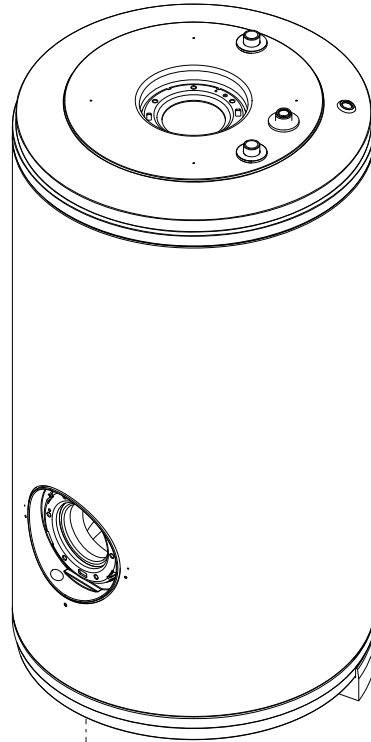
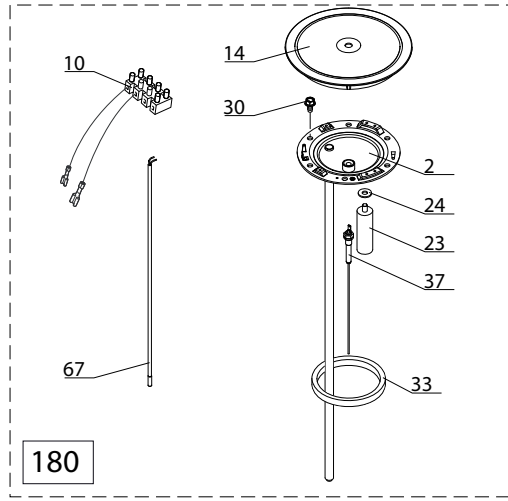
# SPARE PARTS EXPLODED VIEW BOILERS

Model

## ARIANEXT CD1 H & NIMBUS CD1

R8203422-05 - 13/02/2019

1	3060322	CD1 180 H	03-2014	09-2015
1	3060451	CD1 180 H	06-2015	-
2	3060345	CD1 300 H	05-2015	-
Col	Reference	Model type	Begin	End



☉⇒	Description	Manf. Pt. N	Type	CD1 180 / CD1 300																		From	to									
				1	2	3	4	5	6	7	8	9	10	11	12	13	14	15	16	17	18											
0002	FLANGE	60002554			●																											
	FLANGE	65113894		●																												
0004	BRIDE SUP + WASHER	60002870		●																									04/19			
	MATING FLANGE	60002290		●																									03/19			
0007	SCREW COVER	65110066		●	●																											
0010	CABLE (ANODE-PROTECH)	60002291		●	●																											
0014	UPPER PLASTIC COVER	221111		●																												
0023	ANODE D21,3 L:110 M5-M8	65103768-01		●																												
	ANODE D:33 L:350 M8	61314319		●																												
0024	ANODE GASKET	61306237		●	●																											
0030	SCREW M8X14 (6 PCES)	60000681		●	●																											
0033	FLANGE GASKET D121,7X105X11,5	60000682		●	●																											
0034	FLANGE GASKET	60002871		●																									04/19			
	FLANGE GASKET D121,7X105X11,5	60000682		●																										03/19		
0037	ANODE PROTECH EXT. L:260	60001111		●	●																											
	ANODE PROTECH EXT. L:260	60002112		●																												
0043	PLASTIC COVER (COMPLETE)	65110101		●	●																											
0051	FOOT (COMPLETE)	926168		●	●																											
0052	FOOT M10X40	918063		●	●																											
0067	H.D.W. SOLAR SENSOR (L=1000)	65112060		●																												
	HEAT SENSOR CYLINDER (L=1600)	60002147		●																												

## LIST OF THE ABBREVIATIONS

HW .....	: Hot water.
CW .....	: Cold water.
C .....	: Ceramic resistance (normal heating).
Ca .....	: Ceramic resistance (accelerated heating)
TP .....	: Immersion heater.
1F .....	: With fittings.
2F .....	: Without fittings.
3F .....	: With fittings and another outlet connection.
AMI .....	: With mixing valve.
SMI .....	: Without mixing valve.
PUISS .....	: Power of the appliance.
PN .....	: Appliance with normal pressure.
LP .....	: Appliance with low pressure.
PV .....	: Appliance with variable power.
PF .....	: Appliance with fixed power.

## IDENTIFICATION PLATE

### SERIAL NUMBER

**9 Characters :** 07 91 00301 (from 01/77 to 12/92)

Month of manufacture \_\_\_\_\_ Sequential number  
Year of manufacture \_\_\_\_\_

**10 Characters :** 95 01 065004 (from 01/93 to 06/95)

Year of manufacture \_\_\_\_\_ Sequential number  
Month of manufacture \_\_\_\_\_

**OU**

**10 Characters :** 01 95 065004 (from 07/95)

Month of manufacture \_\_\_\_\_ Sequential number  
Year of manufacture \_\_\_\_\_

**12 Characters :** 924 2 3 134 0115

Product reference \_\_\_\_\_ Sequential number  
Year of manufacture \_\_\_\_\_ Manufacturing day

**15 ou 16 Characters :** (0)03 070 0001 893077 (from 01/97 to 01/05)

Year of manufacture \_\_\_\_\_ Product reference  
Day of manufacture \_\_\_\_\_ Sequential number

**OU**

**16 Characters :** 05 070 0001 0000000 (from 02/05)

Year of manufacture \_\_\_\_\_ Product reference  
Day of manufacture \_\_\_\_\_ Sequential number

**17 Characters :** 07 070 00315 3070107

Year of manufacture \_\_\_\_\_ Product reference  
Sequential number  
Manufacturing day (70)

**21 Characters :** 3000115 XX 08115 0000001

Product reference \_\_\_\_\_ Sequential number  
Year (08) / Manufacturing day (115)

**22 Characters :** 3000115 XX 070416 0000001

Product reference \_\_\_\_\_ Sequential number  
Year (07) / Month (04) / Manufacturing day (16)