

SPARE PARTS EXPLODED VIEW BOILERS

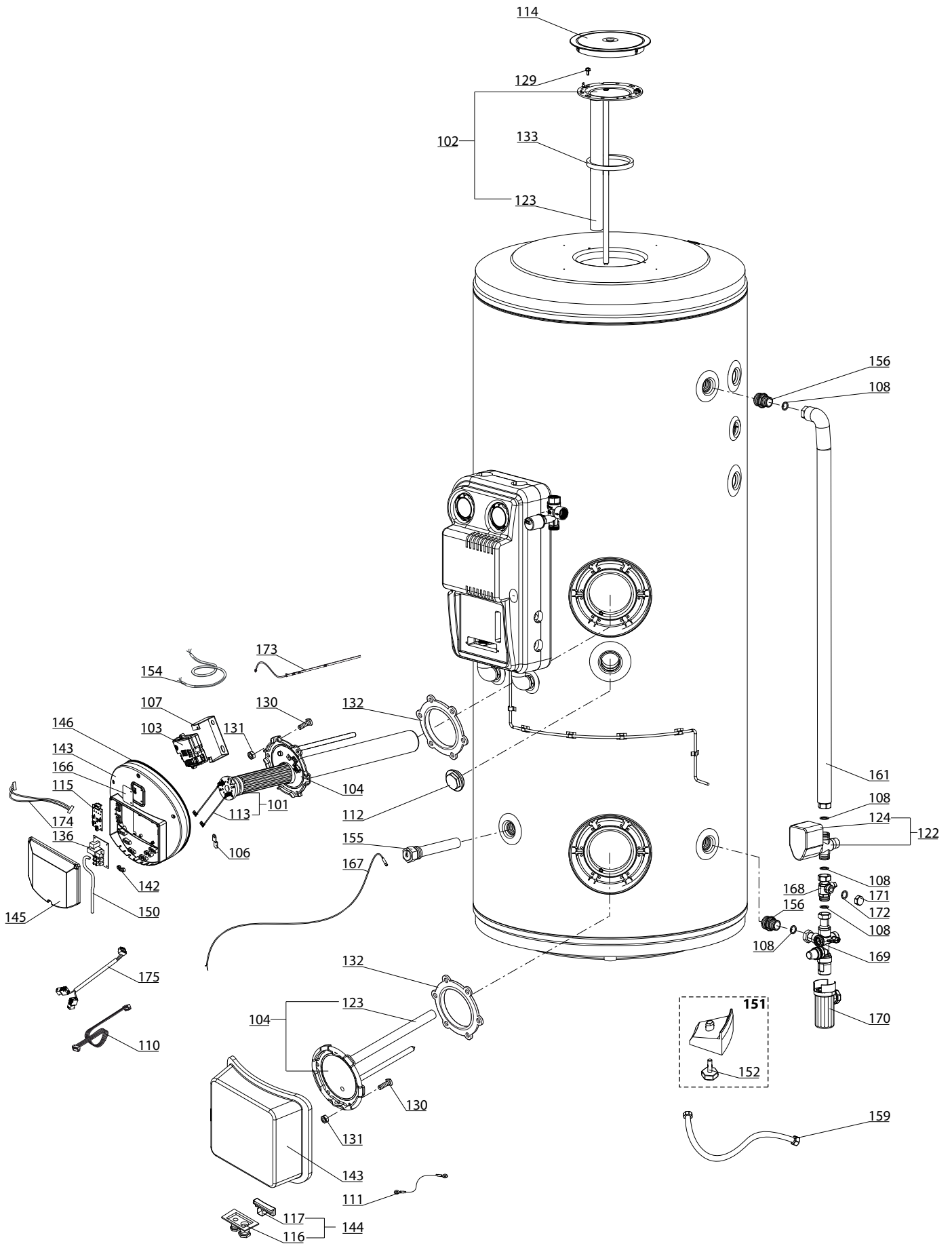
Model

ZELIOS EXTRA / KAIROS EXTRA

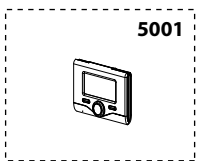
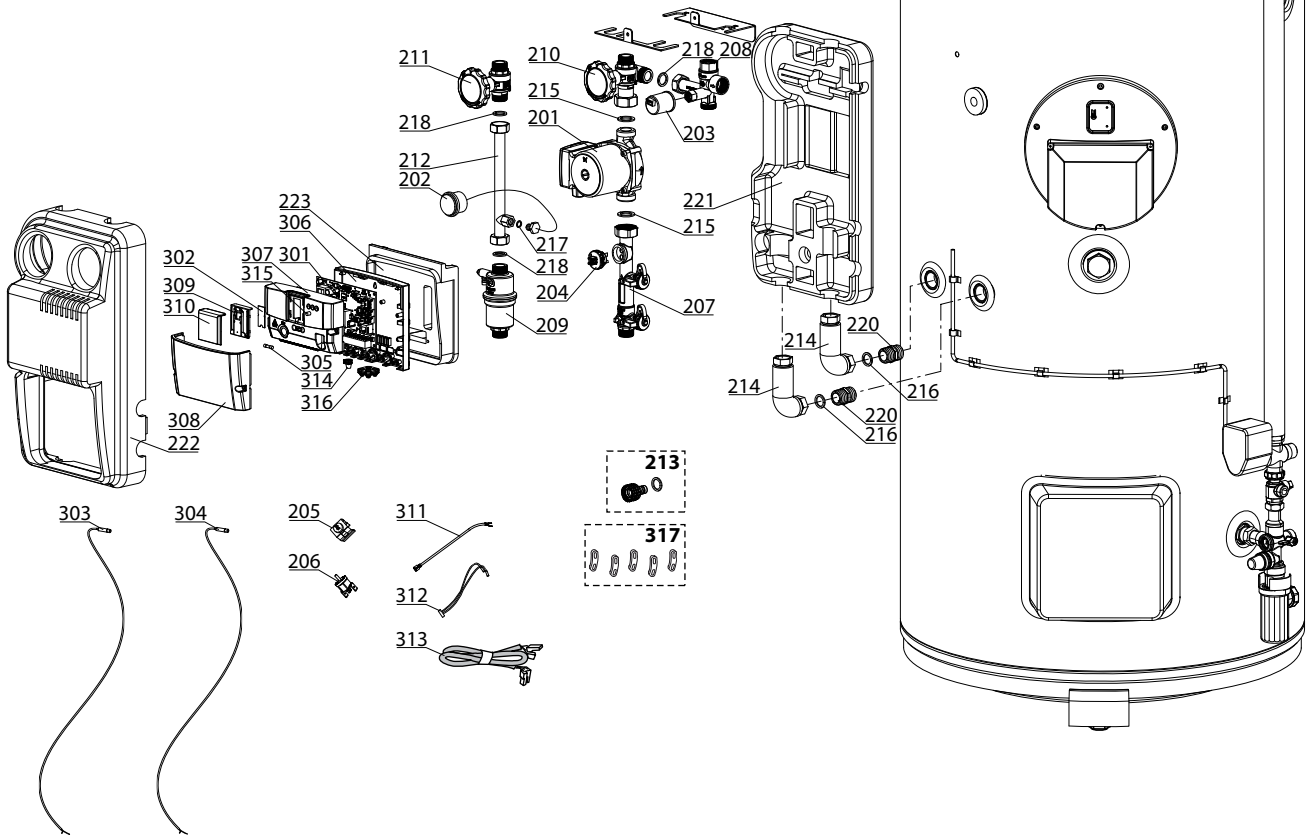
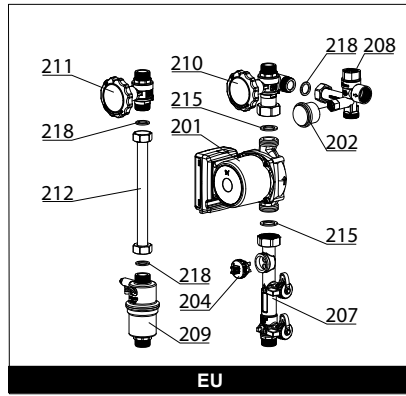
R8203373-05 - 30/12/2015

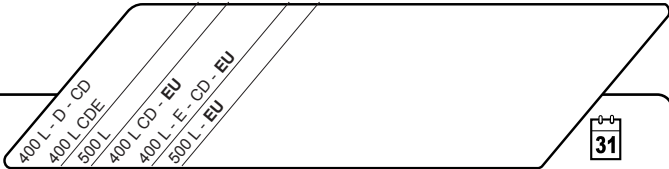
| | | | | |
|---|---------|----------------------|---------|---------|
| 1 | 3070368 | EXTRA CD1 400 | 06-2012 | 07-2015 |
| 1 | 3070370 | EXTRA CD2 400 | 06-2012 | 09-2015 |
| 2 | 3070372 | EXTRA CD1-E 400 | 02-2013 | 09-2015 |
| 3 | 3070369 | EXTRA CD1 500 | 06-2012 | 09-2015 |
| 3 | 3070371 | EXTRA CD2 500 | 06-2012 | 09-2015 |
| 4 | 3060403 | EXTRA CD2 400 - EU | | |
| 5 | 3060405 | EXTRA CD1-E 400 - EU | | |
| 6 | 3060404 | EXTRA CD2 500 - EU | | |

| Col | Reference | Model type | Begin | End |
|-----|-----------|------------|-------|-----|
|-----|-----------|------------|-------|-----|



| ☺⇒ | Description | Manf. Pt. N | Type | <div style="display: flex; flex-direction: column; align-items: center;"> <div style="display: flex; justify-content: space-between; width: 100%;"> 400 L - D - CD 400 L - D - CD - E 500 L 400 L - CD - EU 400 L - E - CD - EU 500 L - EU </div> 31 </div> | | | | | | | | | | | | | | | | | | From | to |
|------|-------------------------------------|-------------|------|---|---|---|---|---|---|---|---|---|----|----|----|----|----|----|----|----|----|------|----|
| | | | | 1 | 2 | 3 | 4 | 5 | 6 | 7 | 8 | 9 | 10 | 11 | 12 | 13 | 14 | 15 | 16 | 17 | 18 | | |
| 0100 | HOT WATER TANK | | | | | | | | | | | | | | | | | | | | | | |
| 0101 | STEATITE HEATING ELEMENT 2500W D.50 | 65112679 | | • | | | | | | | | | | | | | | | | | | | |
| 0102 | FLANGE WITH ANODE | 60001971 | | • | • | • | • | • | • | | | | | | | | | | | | | | |
| 0103 | THERMOSTAT | 65112443 | | • | | | | | | | | | | | | | | | | | | | |
| 0104 | FLANGE | 65112680 | | • | | | | | | | | | | | | | | | | | | | |
| | FLANGE WITH ANODE | 60001566 | | • | | • | • | • | • | | | | | | | | | | | | | | |
| 0106 | FIXING BRACKET | 60072531 | | • | | | | | | | | | | | | | | | | | | | |
| 0107 | BRACKET (THERMOSTAT) | 65112444 | | • | | | | | | | | | | | | | | | | | | | |
| 0108 | SHEET GASKET D: 24-17-2 | 64201915 | | • | • | • | • | • | • | | | | | | | | | | | | | | |
| 0110 | WIRING, THERMOSTAT/INTERFACE P.C.B. | 65112453 | | • | | | | | | | | | | | | | | | | | | | |
| 0111 | EARTH WIRE | 60001115 | | • | • | • | • | • | • | | | | | | | | | | | | | | |
| 0112 | PLUG + SEALING RING | 61310637 | | • | | • | • | • | • | | | | | | | | | | | | | | |
| 0113 | THERMOSTAT CABLE L:240 | 60001800 | | • | | | | | | | | | | | | | | | | | | | |
| 0114 | PLASTIC COVER (UPPER) | 65112451 | | • | | | | | | | | | | | | | | | | | | | |
| | UPPER PLASTIC COVER | 221111 | | • | | • | • | • | • | | | | | | | | | | | | | | |
| 0115 | P.C.B. HMI-ES2 | 65112423 | | • | | | | | | | | | | | | | | | | | | | |
| 0116 | WIRE PIN BRACKET | 926071 | | • | | • | • | • | • | | | | | | | | | | | | | | |
| 0117 | SUPPORT | 926303 | | • | | • | • | • | • | | | | | | | | | | | | | | |
| 0122 | MIXING VALVE | 65112038 | | • | • | • | | | | | | | | | | | | | | | | | |
| | MIXING VALVE | 65115184 | | • | | | | • | • | • | | | | | | | | | | | | | |
| 0123 | ANODE D:40 L:425 M8 | 60001568 | | • | • | • | • | • | • | | | | | | | | | | | | | | |
| 0124 | MOTOR (MIXING VALVE) | 65112332 | | • | | | | | • | | | | | | | | | | | | | | |
| 0129 | SCREW M8X14 (6 PCES) | 60000681 | | • | • | • | • | • | • | | | | | | | | | | | | | | |
| 0130 | SCREW M10X32 | 918061 | | • | | • | • | • | • | | | | | | | | | | | | | | |
| 0131 | NUT M10 | 918041 | | • | | • | • | • | • | | | | | | | | | | | | | | |
| 0132 | FLANGE GASKET WITH 6 HOLES | 924002 | | • | • | • | • | • | • | | | | | | | | | | | | | | |
| 0133 | FLANGE GASKET D:121.7-105-11.5 | 60000682 | | • | • | • | • | • | • | | | | | | | | | | | | | | |
| 0136 | P.C.B. (THERMOSTAT INTERFACE) | 65112446 | | • | | | | | | | | | | | | | | | | | | | |
| 0142 | CABLE CLAMP | 571562 | | • | | | | | • | | | | | | | | | | | | | | |
| 0143 | CAP | 65112449 | | • | | | | | | | | | | | | | | | | | | | |
| | PLASTIC COVER | 926302 | | • | | • | • | • | • | | | | | | | | | | | | | | |
| 0144 | KIT (CABLE-HOLDER) | 996644 | | • | | • | • | • | • | | | | | | | | | | | | | | |
| 0145 | COVER | 65112439 | | • | | | | | | | | | | | | | | | | | | | |
| 0146 | SEAL | 65112440 | | • | | | | | | | | | | | | | | | | | | | |
| 0150 | POWER CABLE (INTERFACE P.C.B.) | 65112445 | | • | | | | | | | | | | | | | | | | | | | |
| 0151 | FOOT (COMPLETE) | 926168 | | • | • | • | • | • | • | | | | | | | | | | | | | | |
| 0152 | FOOT M10X40 | 918063 | | • | • | • | • | • | • | | | | | | | | | | | | | | |
| 0154 | POWER CABLE (THERMOSTAT) | 65112450 | | • | | | | | | | | | | | | | | | | | | | |
| 0155 | SHEATH 1/2 | 12022436 | | • | | | | | | | | | | | | | | | | | | | |
| 0156 | CONNECTION M1»M3/4» | 60001999 | | • | • | • | • | • | • | | | | | | | | | | | | | | |
| 0159 | FLEXIBLE PIPE L=1000 | 60001972 | | • | • | • | • | • | • | | | | | | | | | | | | | | |
| 0161 | HOT WATER TUBE | 60001969 | | • | | • | | | | | | | | | | | | | | | | | |
| | HOT WATER TUBE | 60001989 | | • | • | | | | • | • | | | | | | | | | | | | | |
| 0166 | TRIM | 65112420 | | • | | | | | | | | | | | | | | | | | | | |
| 0167 | HEAT SENSOR CYLINDER (L=1600) | 60002147 | | • | | | | | | | | | | | | | | | | | | | |
| 0168 | TAP | 65112049 | | • | • | • | • | • | • | | | | | | | | | | | | | | |
| 0169 | SAFETY VALVE (7 BAR) | 65112046 | | • | • | • | • | • | • | | | | | | | | | | | | | | |
| 0170 | TRAP 1» | 65105284 | | • | • | • | • | • | • | | | | | | | | | | | | | | |
| 0171 | 1/2 PLUG F | 65112067 | | • | • | • | • | • | • | | | | | | | | | | | | | | |
| 0172 | GASKET 1/2» | 573528 | | • | • | • | • | • | • | | | | | | | | | | | | | | |
| 0173 | WIRED NTC PROBE 1500W H.E. | 65151229 | | • | | | | | | | | | | | | | | | | | | | |
| 0174 | HMI WIRE - SOLAR MANAGER | 60002148 | | • | | | | | | | | | | | | | | | | | | | |
| 0175 | WIRING, PROBE S1-S4 | 60002149 | | • | | | | | | | | | | | | | | | | | | | |



| ☞ | Description | Manf. Pt. N | Type |  | | | | | | | | | | | | | | From | to |
|---|-------------|-------------|------|---|---|---|---|---|---|---|---|---|----|----|----|----|----|------|----|
| | | | | 1 | 2 | 3 | 4 | 5 | 6 | 7 | 8 | 9 | 10 | 11 | 12 | 13 | 14 | | |

 31

| | | | | 1 | 2 | 3 | 4 | 5 | 6 | 7 | 8 | 9 | 10 | 11 | 12 | 13 | 14 | 15 | 16 | 17 | 18 | From | to | |
|-------------|---------------------------------|-------------|--|---|---|---|---|---|---|---|---|---|----|----|----|----|----|----|----|----|----|------|-------|-------|
| 0200 | HYDRAULIC BLOCK | | | | | | | | | | | | | | | | | | | | | | | |
| 0201 | PUMP UPS 15/65 | 60002000 | | • | • | • | | | | | | | | | | | | | | | | | | |
| | SOLAR PUMP | 65115403 | | | | | • | • | • | | | | | | | | | | | | | | | |
| 0202 | PRESSURE GAUGE | 60001973 | | • | • | • | | | | | | | | | | | | | | | | | | |
| | PRESSURE GAUGE (SAFETY GROUP) | 65113048 | | | | | • | • | • | | | | | | | | | | | | | | | |
| 0203 | PRESSURE SENSOR | 65112070 | | • | • | • | | | | | | | | | | | | | | | | | | |
| 0204 | FLOW SENSOR | 65112073 | | • | • | • | • | • | • | | | | | | | | | | | | | | | |
| 0205 | TEMPERATURE PROBE (NTC) | 65112082 | | • | • | • | • | • | • | | | | | | | | | | | | | | | |
| 0206 | THERMOSTAT (SAFETY - 102°C) | 60001975 | | • | • | • | • | • | • | | | | | | | | | | | | | | | |
| 0207 | FLOWMETER | 65113125 | | • | • | • | • | • | • | | | | | | | | | | | | | | | |
| 0208 | SAFETY DEVICE 3/4 | 60001980 | | • | • | • | • | • | • | | | | | | | | | | | | | | | |
| 0209 | AIR SEPARATOR | 60001978 | | • | • | • | • | • | • | | | | | | | | | | | | | | | |
| 0210 | RETURN TAP | 60001976 | | • | • | • | • | • | • | | | | | | | | | | | | | | | |
| 0211 | FLOW TAP | 60001977 | | • | • | • | • | • | • | | | | | | | | | | | | | | | |
| 0212 | AIR SEPARATOR TUBE | 60001985 | | • | • | • | | | | | | | | | | | | | | | | | | |
| | COPPER PIPE | 65115401 | | | | | • | • | • | | | | | | | | | | | | | | | |
| 0213 | RUBBER HOLDER D.15 | 60001984 | | • | • | • | • | • | • | | | | | | | | | | | | | | | |
| 0214 | TUBE FF 3/4» | 60001986 | | • | • | • | • | • | • | | | | | | | | | | | | | | | |
| 0215 | GASKET 1» | 65112072 | | • | • | • | • | • | • | | | | | | | | | | | | | | | |
| 0216 | SHEET GASKET D: 24-17-2 | 64201915 | | • | • | • | • | • | • | | | | | | | | | | | | | | | |
| 0217 | GASKET 1/4 | 569390 | | • | • | • | | | | | | | | | | | | | | | | | | |
| 0218 | GASKET 3/4» | 573520 | | • | • | • | • | • | • | | | | | | | | | | | | | | | |
| 0220 | NIPPLE (3/4 M-M) | 65109316 | | • | • | • | • | • | • | | | | | | | | | | | | | | | |
| 0221 | BASE - BOX | 60001981 | | • | • | • | • | • | • | | | | | | | | | | | | | | 02/14 | |
| | BASE - BOX | 60002071 | | • | • | • | | | | | | | | | | | | | | | | | | 01/14 |
| 0222 | BOX COVER | 60001982 | | • | • | • | • | • | • | | | | | | | | | | | | | | 02/14 | |
| | BOX COVER | 60002072 | | • | • | • | | | | | | | | | | | | | | | | | | 01/14 |
| 0223 | INTERMEDIARY SUPPORT | 60001983 | | • | • | • | • | • | • | | | | | | | | | | | | | | 02/14 | |
| | INTERMEDIARY SUPPORT | 60002073 | | • | • | • | | | | | | | | | | | | | | | | | | 01/14 |
| 0300 | ELECTRICAL BOX | | | | | | | | | | | | | | | | | | | | | | | |
| 0301 | P.C.B. (SOLAR MANAGER EVO LOW) | 65112035-01 | | • | • | • | • | • | • | | | | | | | | | | | | | | | |
| 0302 | P.C.B. CONNECTOR | 65112042 | | • | • | • | • | • | • | | | | | | | | | | | | | | | |
| 0303 | COLLECTOR SOLAR SONDE (1M) | 65112036 | | • | • | • | • | • | • | | | | | | | | | | | | | | | |
| 0304 | HEAT SENSOR CYLINDER (L=1820) | 65112028 | | | | • | | | | | | | | | | | | | | | | | | |
| | HEAT SENSOR CYLINDER (L=3600) | 60001970 | | • | | • | • | • | • | | | | | | | | | | | | | | | |
| 0305 | FUSE 5X20 RIT. 2 A 250V | 65112137 | | • | • | • | • | • | • | | | | | | | | | | | | | | | |
| 0306 | CONTROL PANEL COVER (REAR) | 65112150 | | • | • | • | • | • | • | | | | | | | | | | | | | | | |
| 0307 | CONTROL PANEL COVER (UPPER) | 65112147 | | • | • | • | • | • | • | | | | | | | | | | | | | | | |
| 0308 | CONTROL PANEL COVER (LOWER) | 65112148 | | • | • | • | • | • | • | | | | | | | | | | | | | | | |
| 0309 | SUPPORT FOR CONTROL BOX | 65112146 | | • | • | • | • | • | • | | | | | | | | | | | | | | | |
| 0310 | COVER | 65112145 | | • | • | • | • | • | • | | | | | | | | | | | | | | | |
| 0311 | CABLE (EARTH) | 65112159 | | • | • | • | • | • | • | | | | | | | | | | | | | | | |
| 0312 | WIRING P.C.B. > CONTROL BOX | 65112160 | | • | • | • | • | • | • | | | | | | | | | | | | | | | |
| 0313 | CABLE (POWER SUPPLY) | 65106846 | | | | | • | • | • | | | | | | | | | | | | | | | |
| | CABLE (PUMP) | 65112154 | | • | • | • | • | | | | | | | | | | | | | | | | | |
| | PUMP WIRING (POWER SUPPLY) | 65115398 | | | | | | | • | • | | | | | | | | | | | | | | |
| | PWM CABLE (PUMP) | 65115399 | | | | | | | • | • | | | | | | | | | | | | | | |
| | THERMOSTAT > PUMP CABLE | 65112157 | | • | • | • | • | • | • | | | | | | | | | | | | | | | |
| | WIRE ASSEMBLY | 60001987 | | • | • | • | • | | | | | | | | | | | | | | | | | |
| | WIRING P.C.B./PROBES/FLOW METER | 65115400 | | | | | • | • | • | | | | | | | | | | | | | | | |
| 0314 | BLIND GROMMET | 569720 | | • | • | • | • | • | • | | | | | | | | | | | | | | | |
| 0315 | L.E.D. | 998570 | | • | • | • | • | • | • | | | | | | | | | | | | | | | |
| 0316 | CABLE HOLDER | 65112123 | | • | • | • | • | • | • | | | | | | | | | | | | | | | |
| 0317 | CABLE CLAMP (5 PCS) | 65112051 | | • | • | • | • | • | • | | | | | | | | | | | | | | | |
| 5000 | ACCESSORIES | | | | | | | | | | | | | | | | | | | | | | | |
| 5001 | SYSTEM INTERFACE | 65112083-03 | | • | • | • | • | • | • | | | | | | | | | | | | | | | |
| | | | | | | | | | | | | | | | | | | | | | | | | |
| | | | | | | | | | | | | | | | | | | | | | | | | |
| | | | | | | | | | | | | | | | | | | | | | | | | |
| | | | | | | | | | | | | | | | | | | | | | | | | |
| | | | | | | | | | | | | | | | | | | | | | | | | |
| | | | | | | | | | | | | | | | | | | | | | | | | |
| | | | | | | | | | | | | | | | | | | | | | | | | |
| | | | | | | | | | | | | | | | | | | | | | | | | |
| | | | | | | | | | | | | | | | | | | | | | | | | |
| | | | | | | | | | | | | | | | | | | | | | | | | |
| | | | | | | | | | | | | | | | | | | | | | | | | |
| | | | | | | | | | | | | | | | | | | | | | | | | |
| | | | | | | | | | | | | | | | | | | | | | | | | |
| | | | | | | | | | | | | | | | | | | | | | | | | |
| | | | | | | | | | | | | | | | | | | | | | | | | |
| | | | | | | | | | | | | | | | | | | | | | | | | |

LIST OF THE ABBREVIATIONS

| | |
|-------------|--|
| HW | : Hot water. |
| CW | : Cold water. |
| C | : Ceramic resistance (normal heating). |
| Ca | : Ceramic resistance (accelerated heating) |
| TP | : Immersion heater. |
| 1F | : With fittings. |
| 2F | : Without fittings. |
| 3F | : With fittings and another outlet connection. |
| AMI | : With mixing valve. |
| SMI | : Without mixing valve. |
| PUISS | : Power of th appliance. |
| PN | : Appliance with normal pression. |
| LP | : Appliance with low pression. |
| PV | : Appliance with variable power. |
| PF | : Appliance with fixed power. |

IDENTIFICATION PLATE

SERIAL NUMBER

9 Characters : 07 91 00301 (from 01/77 to 12/92)

Month of manufacture 07 91 00301 Sequential number
Year of manufacture 07 91 00301

10 Characters : 95 01 065004 (from 01/93 to 06/95)

Year of manufacture 95 01 065004 Sequential number
Month of manufacture 95 01 065004

OU

10 Characters : 01 95 065004 (from 07/95)

Month of manufacture 01 95 065004 Sequential number
Year of manufacture 01 95 065004

12 Characters : 924 2 3 134 0115

Product reference 924 2 3 134 0115 Sequential number
Year of manufacture 924 2 3 134 0115 Manufacturing day

15 ou 16 Characters : (0)03 070 0001 893077 (from 01/97 to 01/05)

Year of manufacture (0)03 070 0001 893077 Product reference
Day of manufacture (0)03 070 0001 893077 Sequential number

OU

16 Characters : 05 070 0001 0000000 (from 02/05)

Year of manufacture 05 070 0001 0000000 Product reference
Day of manufacture 05 070 0001 0000000 Sequential number

17 Characters : 07 070 00315 3070107

Year of manufacture 07 070 00315 3070107 Product reference
Sequential number
Manufacturing day (70)

21 Characters : 3000115 XX 08115 0000001

Product reference 3000115 XX 08115 0000001 Sequential number
Year (08) / Manufacturing day (115)

22 Characters : 3000115 XX 070416 0000001

Product reference 3000115 XX 070416 0000001 Sequential number
Year (07) / Month (04) / Manufacturing day (16)