

SPARE PARTS EXPLODED VIEW  
GAS-STANDING CONDENSING BOILER  
Model  
**NIAGARA C EVO**

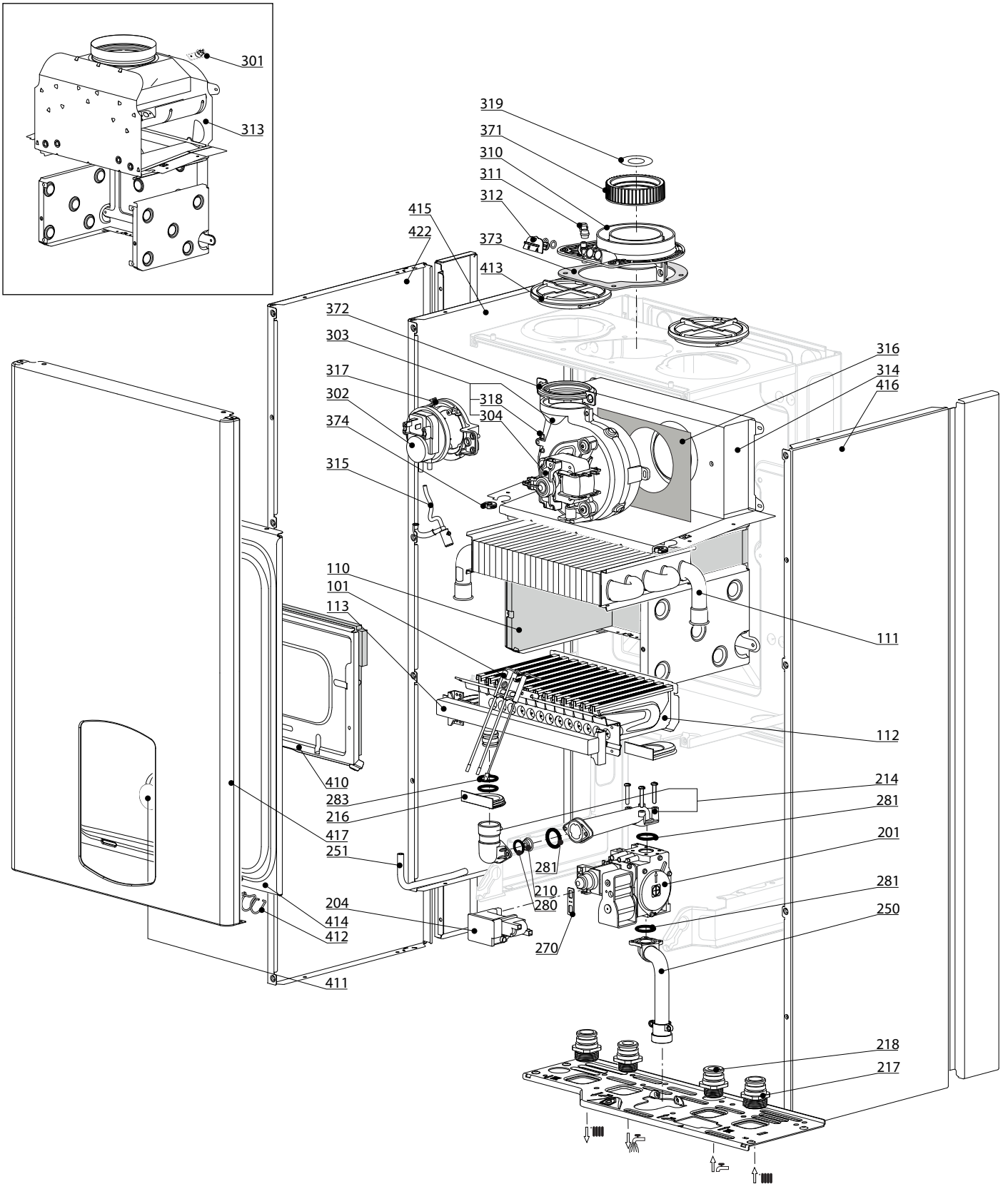
R8203440-02 - 15/12/2017

<b>1</b>	3310343	NIAGARA C 25 CF FR BE EU	07-2015	-
<b>2</b>	3310344	NIAGARA C 24 VMC FR EU	07-2015	-
<b>3</b>	3310341	NIAGARA C EVO 30 FF	07-2015	-
Col	Reference	Model type	Begin	End

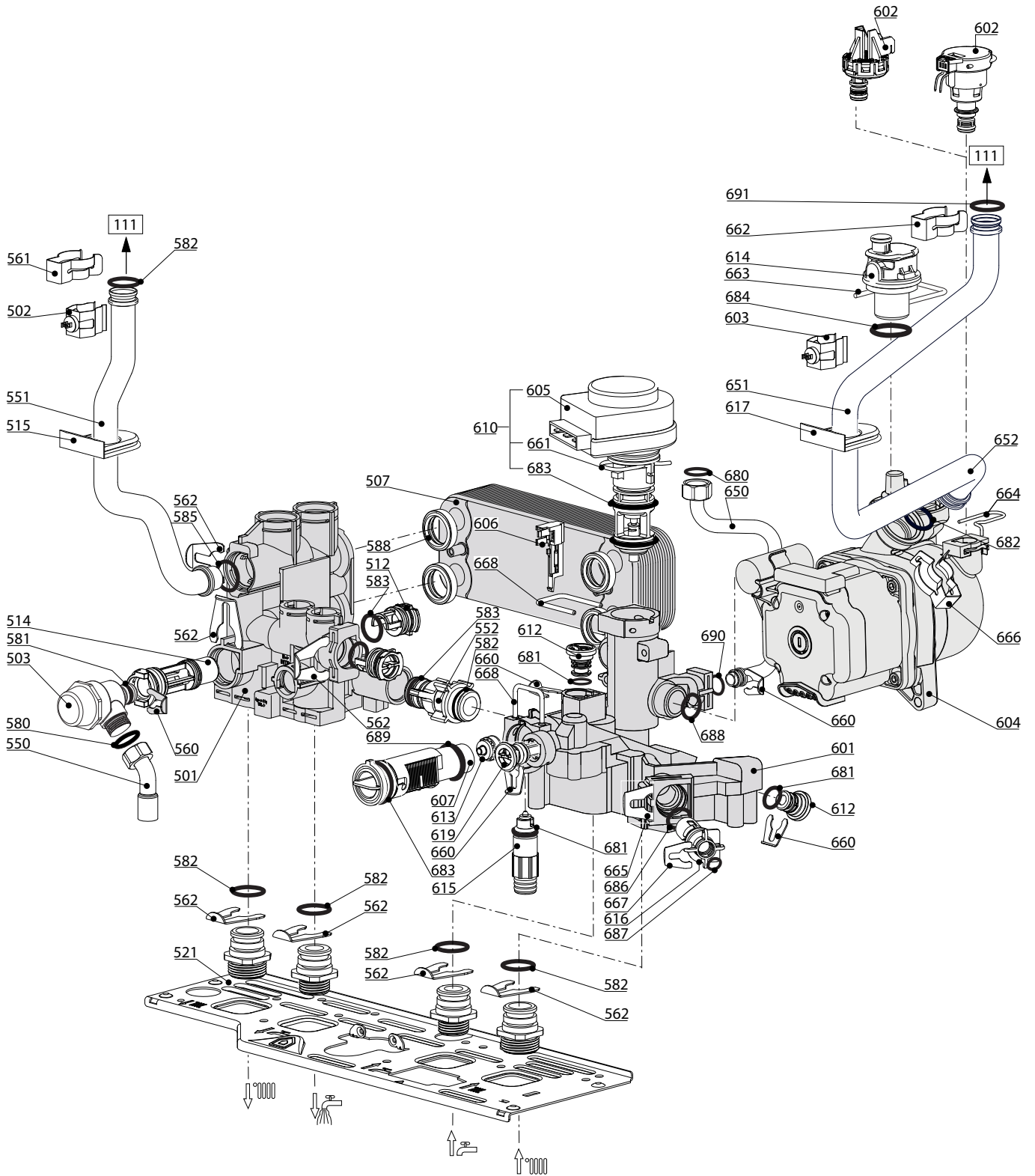
100  
200  
300  
400

NIAGARA C EVO

Gas-standing condensing boiler



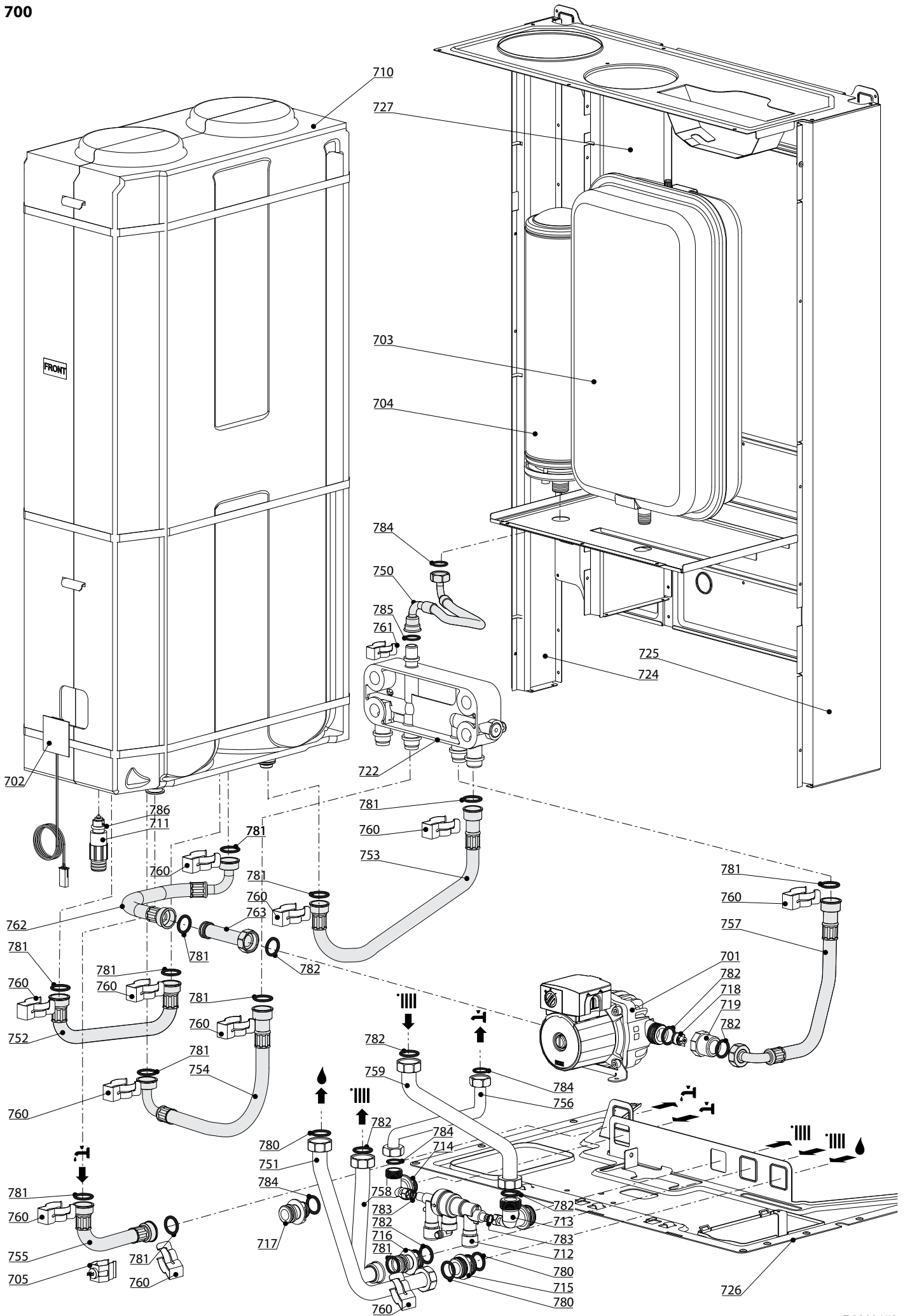




NIAGARA C 25 CF EU  
 NIAGARA C 24 VMC EU  
 NIAGARA C EVO 30 FF

31

☉⇒	Description	Manf. Pt. N	Type	1 2 3 4 5 6 7 8 9 10 11 12 13 14 15 16 17 18 From to																	
				1	2	3	4	5	6	7	8	9	10	11	12	13	14	15	16	17	18
<b>0500</b>	<b>FLOW GROUP</b>																				
0501	FLOW GROUP KIT	60002319		●	●	●															
0502	TEMPERATURE PROBE + CLIP	990686-01		●	●	●															
0503	PRESSURE RELIEF VALVE (3 BAR)	61312668		●	●	●															
0507	SANITARY HEAT EXCHANGER (16 P.)	65104333		●	●	●															
0512	PLUG	65104445		●	●	●															
0514	BY-PASS	65104336		●	●	●															
0515	GROMMET	60000808		●	●	●															
0521	HYDRAULIC GROUP SUPPORT	60001375		●	●	●															
0550	PIPE (SAFETY VALVE)	65104447		●	●	●															
0551	PIPE (C.H. FLOW)	60000991		●	●	●															
0552	BY-PASS PIPE	65104340		●	●	●															
0560	CLIP Ø 10	65104260		●	●	●															
0561	CLIP	61307589		●	●	●															
0562	CLIP D:18	65104259		●	●	●															
0581	O-RING 17.96X2.62	65104337		●	●	●															
0582	O-RING 17.86X2.62	61308091		●	●	●															
0583	O-RING 15.54X2.62	65104325		●	●	●															
0585	O-RING 17.04X3.53	65104262		●	●	●															
0588	EXCHANGER GASKET	65104334		●	●	●															
<b>0600</b>	<b>RETURN GROUP</b>																				
0601	RETURN GROUP	60000874		●	●	●															
0602	LOW PRESSURE SWITCH	65105090		●	●	●															
0603	TEMPERATURE PROBE + CLIP	990686-01		●	●	●															
0604	PUMP 5M PWM ENER+	60001947-01	ENER +	●	●																
	PUMP 6M 2V WILO	60000591	WILO			●															
0605	MOTOR (3-WAY VALVE)	61302483-01		●	●	●															
0606	SENSOR (REED)	65104323		●	●	●															
0607	FLOW METER	60000870		●	●	●															
0610	MOTOR + SPRING 3 WAY VALVE KIT	60001583-01		●	●	●															
0611	PRESSURE RELIEF VALVE (7 BAR)	60000171		●	●	●															
0612	PLUG	65104377		●	●	●															
0613	RIDUCTORS (KIT)	65104318		●	●	●															
0614	AUTO AIR VENT - TACO ENER+	65112086	ENER +	●	●																
	AUTO AIR VENT - WILO	65104703	WILO			●															
0615	KIT DRAIN SCREW	60001385		●	●	●															
0616	WATER FILTER	60001372		●	●	●															
0617	GROMMET	60000807		●	●	●															
0619	PLUG	65104377		●	●	●															
0650	PIPE (EXPANSION VESSEL)	60001247		●	●	●															
0651	PIPE (C.H. RETURN)	60001275		●	●																
	PIPE (C.H. RETURN)	60001287				●															
0660	CLIP Ø 10	65104260		●	●	●															
0661	CLIP	65104332		●	●	●															
0662	CLIP	61307589		●	●	●															
0663	U-CLIP	65104704		●	●	●															
0664	CLIP	65104322		●	●	●															
0665	CLIP	65104331		●	●	●															
0666	CLIP	60000309		●	●	●															
0667	CLIP	65100680		●	●	●															
0668	CLIP	65104316		●	●	●															
0680	GASKET 3/8»	573521		●	●	●															
0681	O-RING 9.19X2.62	65104313		●	●	●															
0682	O-RING 17.04X3.53	65104262		●	●	●															
0683	O-RING 23.47X2.62	65104315		●	●	●															
0684	O-RING 3X35 EPDM 75 SH	65104705		●	●	●															
0686	O-RING 15.54X2.62	65104325		●	●	●															
0687	O-RING 5.7X1.9	61009834-10		●	●	●															
0688	O-RING 21.89X2.62	65104320		●	●	●															
0689	O-RING 17.17X1.78	65104303		●	●	●															
0690	O-RING 8.9X2.7	61009834-14		●	●	●															
0691	O-RING 17.86X2.62	61308091		●	●	●															



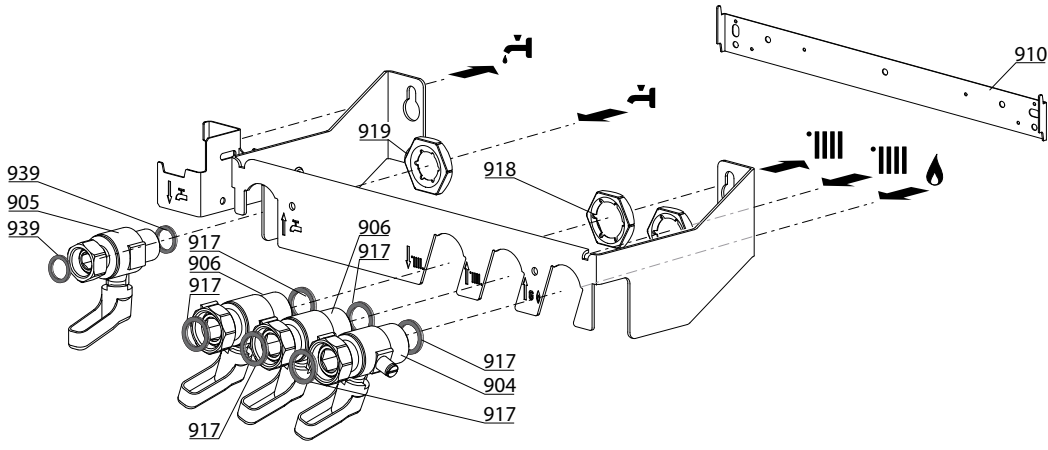
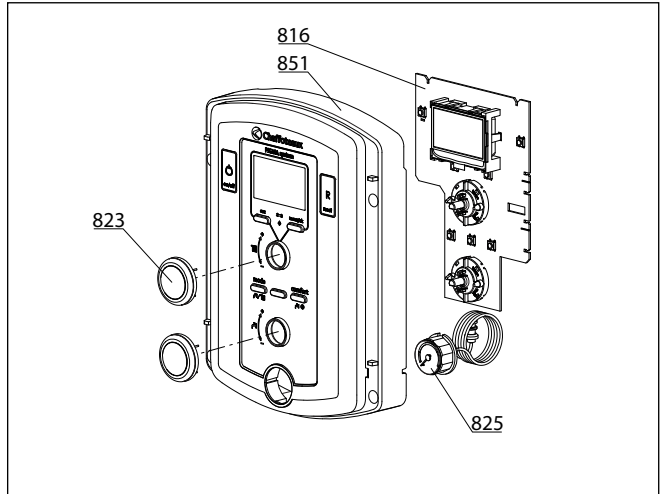
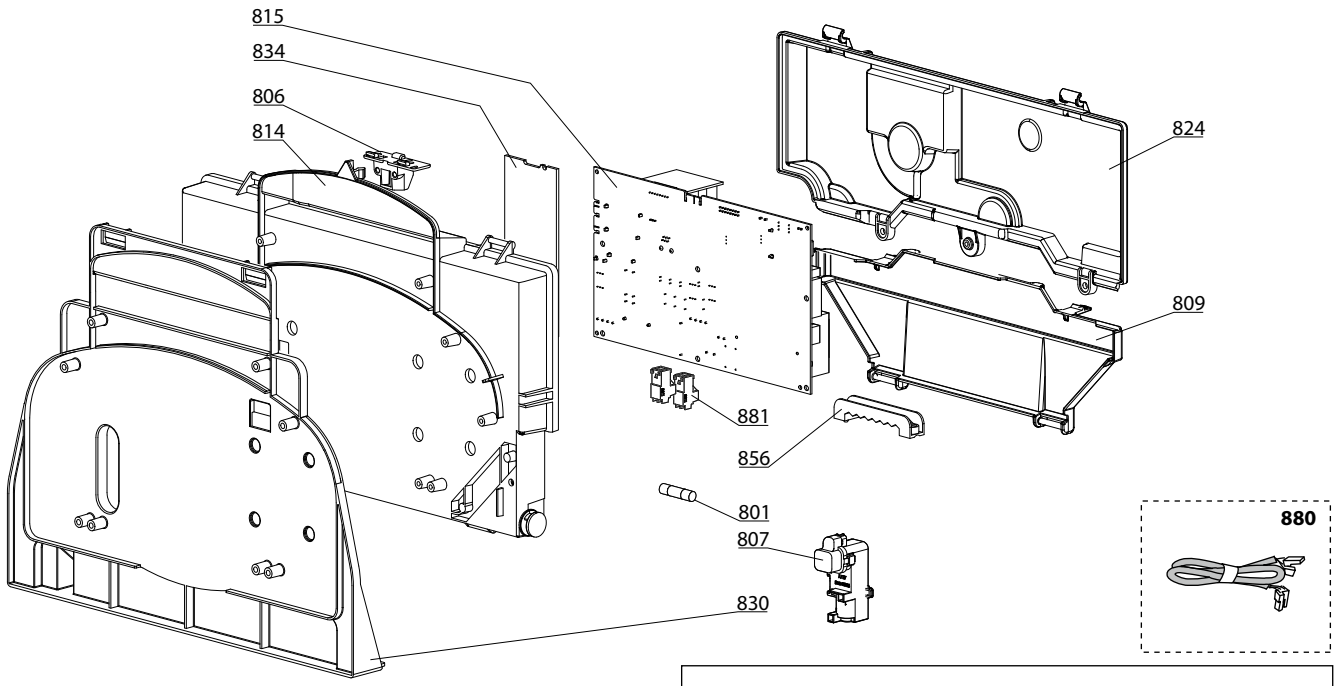
NIAGARA C 25 CF EU  
NIAGARA C 24 VMC EU  
NIAGARA C EVO 30 FF

31

☉⇒	Description	Manf. Pt. N	Type	1 2 3 4 5 6 7 8 9 10 11 12 13 14 15 16 17 18																		From	to					
0700	HOT WATER TANK																											
0701	PUMP DHW	60002509		•	•	•																						
0702	NTC PROBE	60000822		•	•	•																						
0703	EXPANSION VESSEL 12L	60001243		•	•	•																						
0704	EXPANSION VESSEL 2L	61316921		•	•	•																						
0705	TEMPERATURE PROBE + CLIP	990686-01		•	•	•																						
0710	CYLINDER 40L	60002524		•	•	•																						
0711	KIT DRAIN SCREW	60001385		•	•	•																						
0712	DISCONNECTOR	60000263		•	•	•																						
0713	CONNECTION M/M 3/4	60001325		•	•	•																						
0714	CONNECTION M/M 1/2	60001326		•	•	•																						
0715	GAS CONNECTION	60001327		•	•	•																						
0716	HEATING RETURN CONNECTION	60001328		•	•	•																						
0717	HOT WATER CONNECTION	60001329		•	•	•																						
0718	NON-RETURN VALVE	60001330		•	•	•																						
0719	CONNECTION	60001333		•	•	•																						
0722	INTERFACE SYSTEM	60001342		•	•	•																						
0724	LONGERON 900x65mm	60001383		•	•	•																						
0725	LONGERON 900x130mm	60001384		•	•	•																						
0726	HYDRAULIC GROUP SUPPORT	60002510		•	•	•																						
0727	LONGERON 744x133mm	60002520		•	•																							
	LONGERON 744x56mm	60001387						•																				
0750	PIPE (EXPANSION VESSEL)	60002511		•	•	•																						
0751	GAS TUBE	60001316		•	•																							
	GAS TUBE	60001335						•																				
0752	BOILER PIPE	60002512		•	•	•																						
0753	TUBE DHW - TEPID ENTRY 25/30KW	60002516		•	•	•																						
0754	TUBE DHW - HOT ENTRY	60002517		•	•	•																						
0755	PIPE (SECONDARY RETURN)	60002514		•	•	•																						
0756	INLET PIPE	60001324		•	•	•																						
0757	TUBE - PUMP DHW	60002513		•	•	•																						
0758	PIPE (C.H. RETURN)	60001322		•	•	•																						
0759	PIPE (C.H. FLOW)	60001320		•	•	•																						
0760	CLIP	61307589		•	•	•																						
0761	CLIP	65105109		•	•	•																						
0762	TUBE - PUMP	60002515		•	•	•																						
0763	TUBE - PUMP	60002518		•	•	•																						
0780	SHEET GASKET D: 24-18.2-1.5	60022835-01		•	•	•																						
0781	O-RING 17.04X3.53	65104262		•	•	•																						
0782	SHEET GASKET D: 24-18.2-1.5	60061855-01		•	•	•																						
0783	SHEET GASKET D: 8.5-4.1-1.5	60001363		•	•	•																						
0784	WASHER D: 18.4-12.2-1.5	60061855-14		•	•	•																						
0785	O-RING 13X2	65105108		•	•	•																						
0786	O-RING 9.19X2.62	65104313		•	•	•																						

NIAGARA C EVO

Gas-standing condensing boiler







## LIST OF THE ABBREVIATIONS

HW .....	: Hot water.
CW .....	: Cold water.
C .....	: Ceramic resistance (normal heating).
Ca .....	: Ceramic resistance (accelerated heating)
TP .....	: Immersion heater.
1F .....	: With fittings.
2F .....	: Without fittings.
3F .....	: With fittings and another outlet connection.
AMI .....	: With mixing valve.
SMI .....	: Without mixing valve.
PUISS .....	: Power of th appliance.
PN .....	: Appliance with normal pression.
LP .....	: Appliance with low pression.
PV .....	: Appliance with variable power.
PF .....	: Appliance with fixed power.

## IDENTIFICATION PLATE

### SERIAL NUMBER

<b>10 Characters :</b>	04 05 125 011	Sequential number Manufacturing day Year of manufacture
<b>11 Characters :</b>	1 95 065004 - 31	Technical number of the appliance Sequential number Year of manufacture
Month of manufacture : from 1 to 9 → Jan. to Sep., O → Oct., N → Nov., D → Dec.		
<b>19 Characters :</b>	08 05 0013199 900640031	Product reference Sequential number
Year of manufacture Month of manufacture		
<b>20 Characters :</b>	3675007 XX 2 07 070 00315	Sequential number Manufacturing day Year of manufacture
Product reference Millenium of manufacture		
<b>21 Characters :</b>	3675007 XX 07 070 0000315	Sequential number Manufacturing day
Product reference Year of manufacture		