

# SPARE PARTS EXPLODED VIEW GAS WALL BOILERS

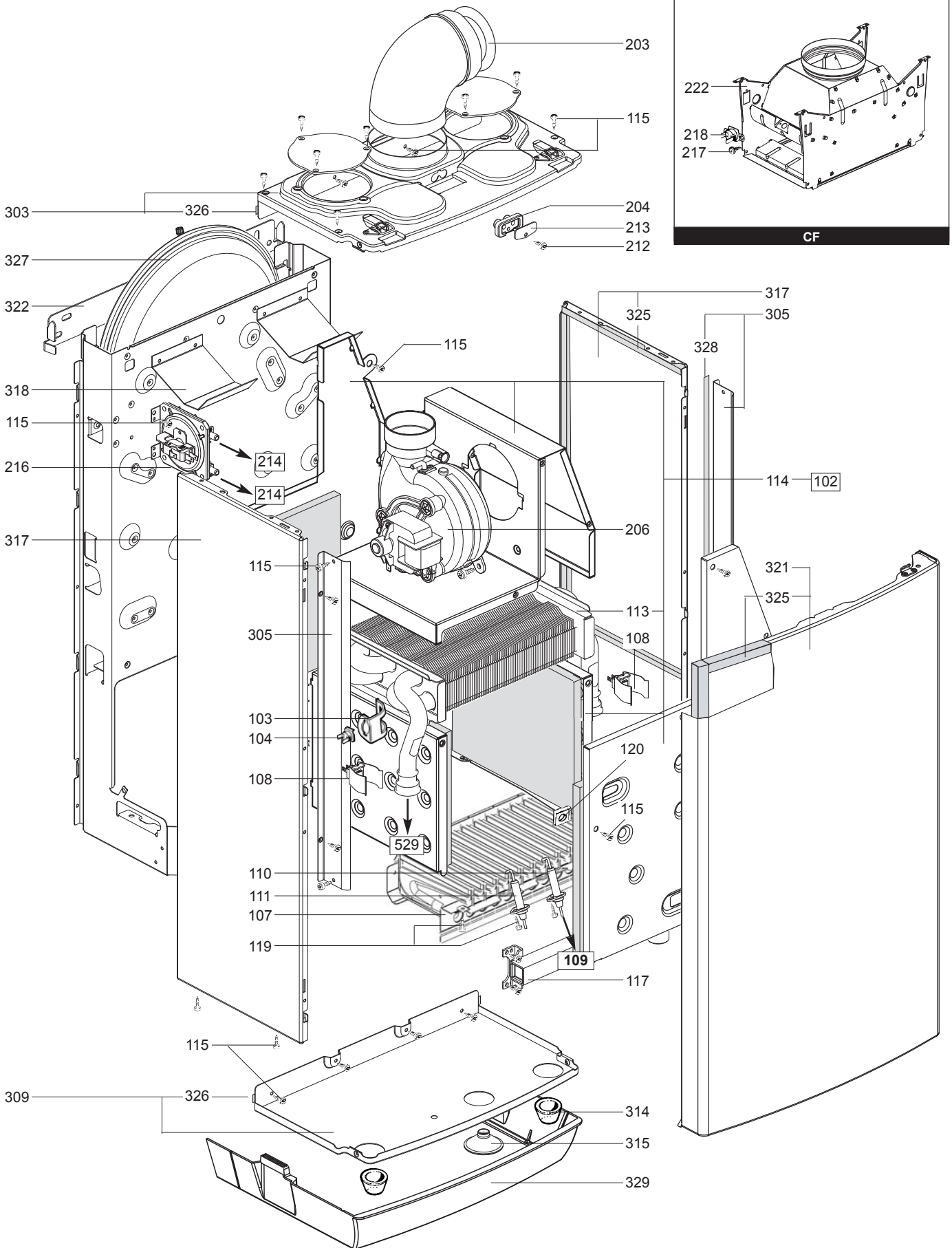
Model

## **MIRA COMFORT - MX2**

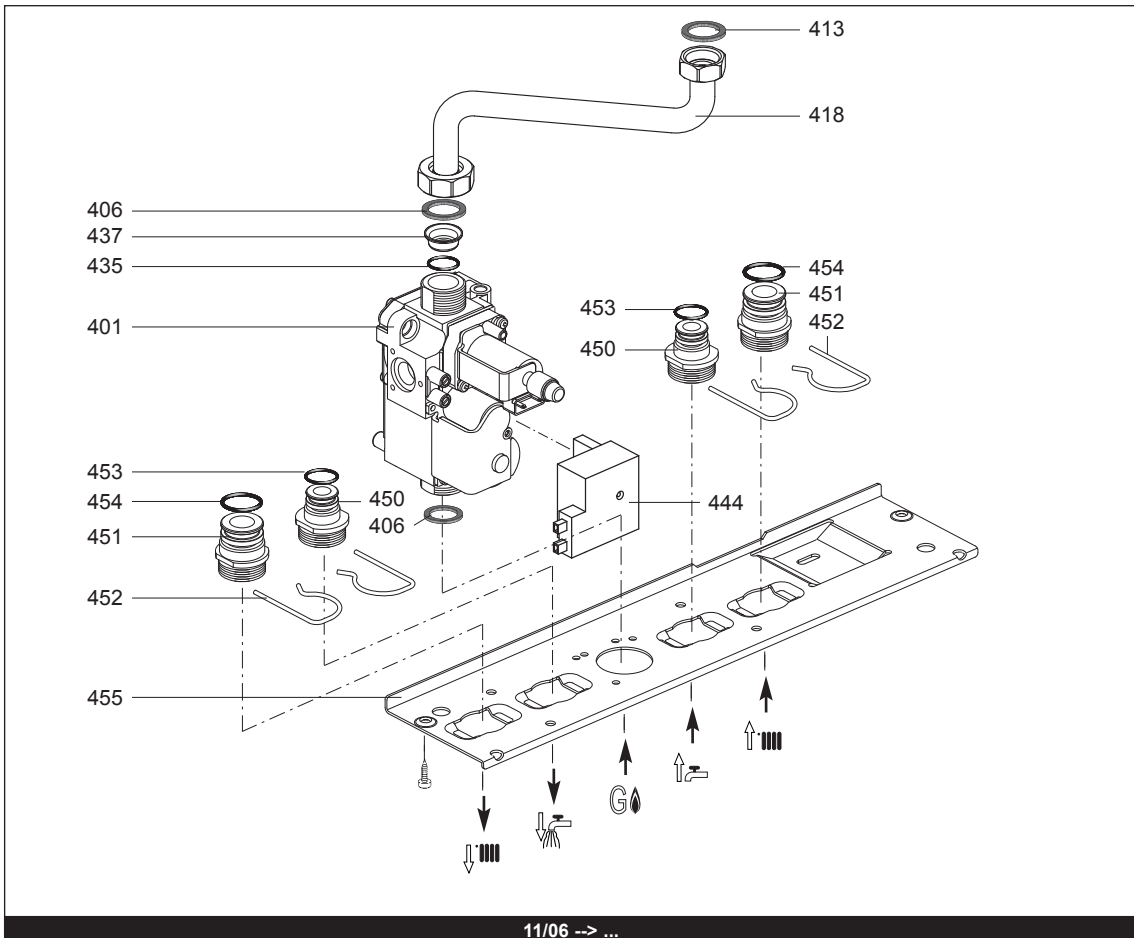
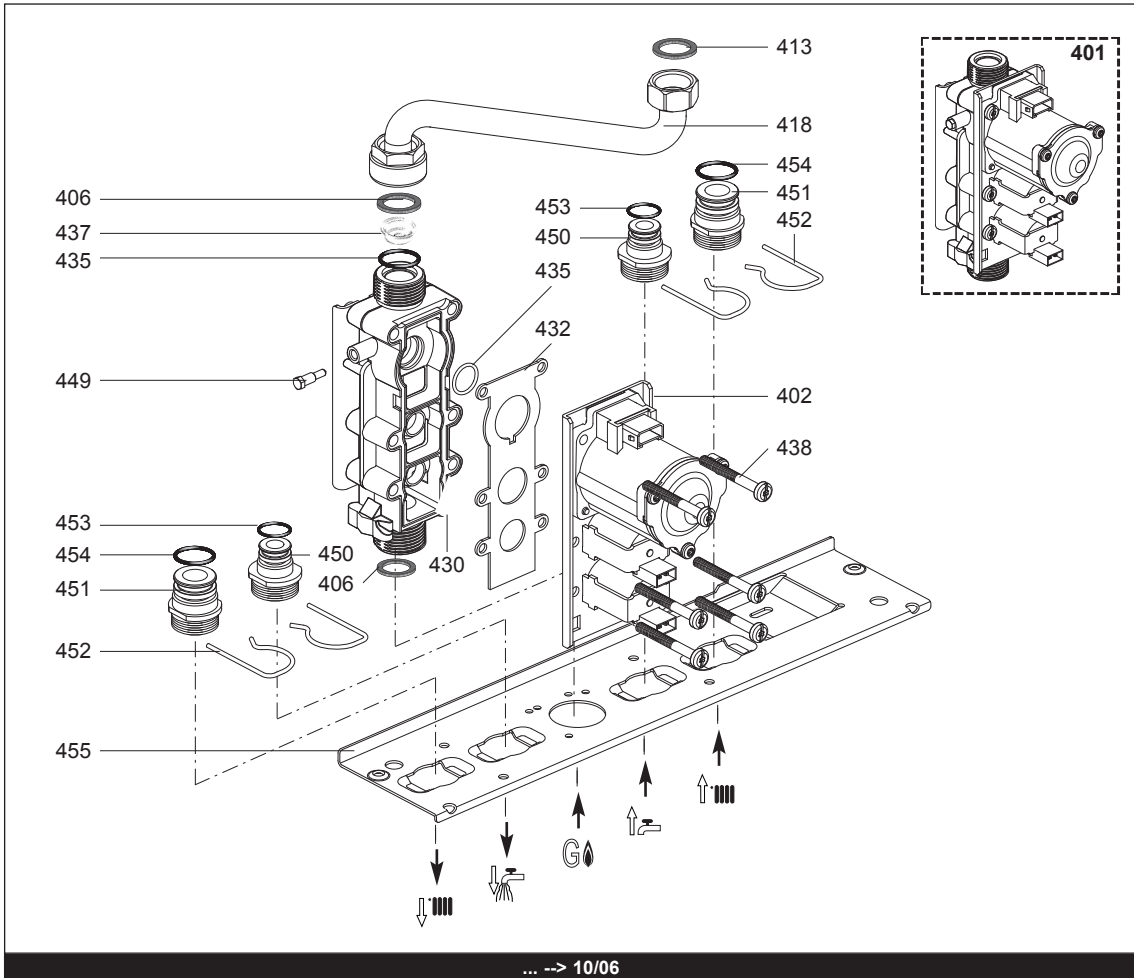
R8202965-08 - 21/03/2012

1	3650049	MIRA COMFORT 24 CF NAT	06/05	07/08
1	3650098	MIRA COMFORT 24 CF B/P	06/05	07/08
2	3650067	MIRA COMFORT 24 VMC NAT	06/05	07/08
3	3650050	MIRA COMFORT 24 FF NAT	06/05	07/08
3	3650099	MIRA COMFORT 24 FF B/P	06/05	07/08
4	3650051	MIRA COMFORT 30 FF NAT	06/05	07/08
4	3650100	MIRA COMFORT 30 FF B/P	06/05	07/08

Col	Reference	Model type	Begin	End
-----	-----------	------------	-------	-----



☉	Description	Manf. Pt. N	Type	<div style="display: flex; justify-content: space-between; align-items: center;"> <div style="transform: rotate(-45deg); font-size: 8px; white-space: nowrap;"> MIRA COMFORT 24 CF  MIRA COMFORT 24 VM/C  MIRA COMFORT 24 FF  MIRA COMFORT 30 FF </div> <div style="border: 1px solid black; padding: 2px; font-size: 10px;">31</div> </div>																	
				1	2	3	4	5	6	7	8	9	10	11	12	13	14	15	16	17	18
<b>0100</b>	<b>BURNER ASSEMBLY</b>																				
0102	COMBUSTION CHAMBER LINING KIT	61400230				•															
	COMBUSTION CHAMBER LINING KIT	61400231		•	•		•														
0103	CLIP	61010050		•	•	•	•														
0104	OVERHEAT THERMOSTAT 105C	61010191					•	•													
	OVERHEAT THERMOSTAT 105C	61303566		•	•																
0107	BURNER 30FF	61311028						•													
	BURNER 24CF	61311357		•	•																
	BURNER 24FF	61315073					•														
0108	TEMPERATURE PROBE + CLIP	990686		•	•	•	•														
0109	ELECTRODE CABLE	60000240		•	•	•	•											10/06			
	ELECTRODE CABLE	61313738		•	•	•	•											11/06			
0110	IGNITION ELECTRODE	60000230		•	•	•	•											10/06			
	IGNITION ELECTRODE	61314169		•	•	•	•											11/06			
0111	IONIZATION ELECTRODE	60000231		•	•	•	•														
0113	HEAT EXCHANGER 24CF	61310422		•	•																
	HEAT EXCHANGER 30FF	61310430						•													
	HEAT EXCHANGER 24FF	61310774						•													
0114	COMBUSTION CHAMBER ASSY 24CF	61311368-01		•	•																
	COMBUSTION CHAMBER ASSY 24FF	61314556-01					•														
	COMBUSTION CHAMBER ASSY 30FF	61314557-01						•													
0115	TAPPING SCREW CBLX D: 4.2-9.5	61010125		•	•	•	•														
0117	MANIFOLD 14 INJ. D:0.82	61311034	B/P					•													
	MANIFOLD 12 INJ. D:0.78	61313488	B/P					•													
	MANIFOLD 11 INJ. D:0.80	61313490	B/P						•												
	MANIFOLD 11 INJ. D:1.35	61311026	NAT					•													
	MANIFOLD 14 INJ. D:1.30	61311033	NAT						•												
	MANIFOLD 12 INJ. D:1.25	61311358	NAT	•	•																
0119	TAPPING SCREW ST D: 4.2-9.5	61313796		•	•	•	•														
0120	SPIRE CLIP	60057488		•	•	•	•														
<b>0200</b>	<b>FAN ASSEMBLY</b>																				
0203	RESTRICTOR	60000197				•															
	RESTRICTOR	60000198						•													
0204	GASKET (FLUE TEST POINT)	998636				•	•														
0206	FAN ASSY 47W	60000243					•														
	FAN ASSY 60W	60000249							•												
0212	SCREW CLXS M 4-12	61015153					•	•													
0213	COVER (FLUE TEST POINT)	998565					•	•													
0214	SILICONE TUBE D: 9x3 L: 1.30M	60081265					•	•													
0216	AIR PRESSURE SWITCH	60000163					•	•													
0217	SHEET SCREW CBLX D: 3.5-6.5	61010126		•	•																
0218	OVERHEAT THERMOSTAT 72C	61010074		•																	
	OVERHEAT THERMOSTAT 54C	61010358					•														
0222	DRAUGHT DIVERTER	61312338		•	•																
<b>0300</b>	<b>SEALED CASE</b>																				
0303	TOP PANEL BOX	61312650					•	•													
0305	RIGHT CONTROL PANEL	61312643					•	•													
0309	BASE - BOX	60000244					•	•										10/06			
	BASE - BOX	60000555					•	•										11/06			
0314	GROMMET	61010109					•	•													
0315	GROMMET	61312492					•	•													
0317	CONTROL PANEL	61310860					•	•													
	RIGHT SIDE PANEL	61312356		•	•																
	LEFT SIDE PANEL	61312814		•	•																
0318	DEFLECTOR	61313778					•	•													
0321	CASE	61313042					•	•													
	CASE	61313402		•	•																
0322	WALL HOOK	61312611		•	•	•	•														
0323	TAPPING SCREW D: 3.5-9.5	61015329		•	•	•	•														
0325	FOAM SEAL 20x15 L: 1.7M	61400236					•	•													
0326	FOAM SEAL 10x2 L: 800mm	61400237					•	•													
0327	EXPANSION VESSEL 6L	61311907		•	•	•	•														
0328	FOAM SEAL 15x10 L: 1M	61400393					•	•													
0329	ROD PLATE	60000468		•	•	•	•														



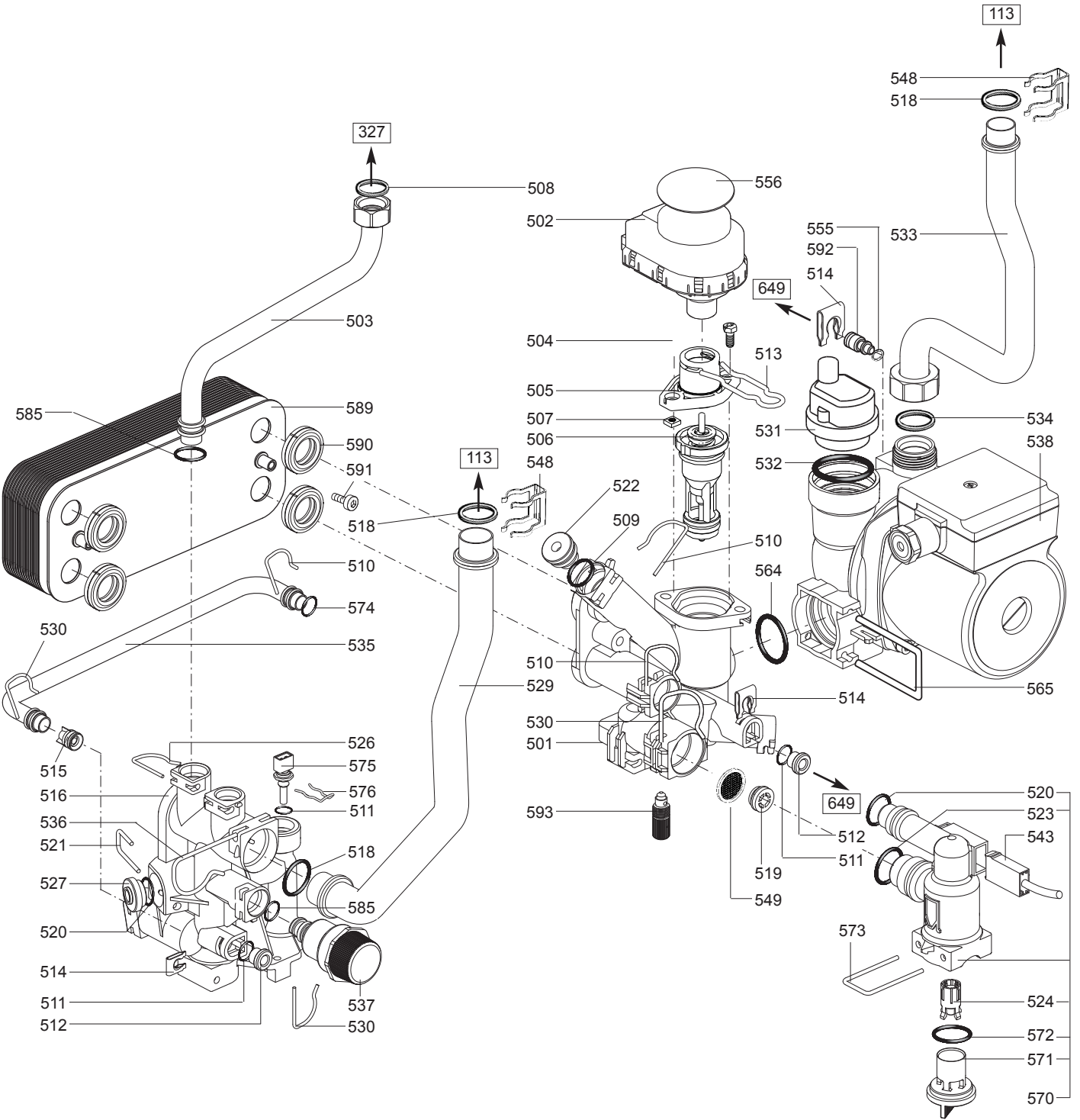
MIRA COMFORT 24 CF  
 MIRA COMFORT 24 VMC  
 MIRA COMFORT 24 PF  
 MIRA COMFORT 30 PF

31

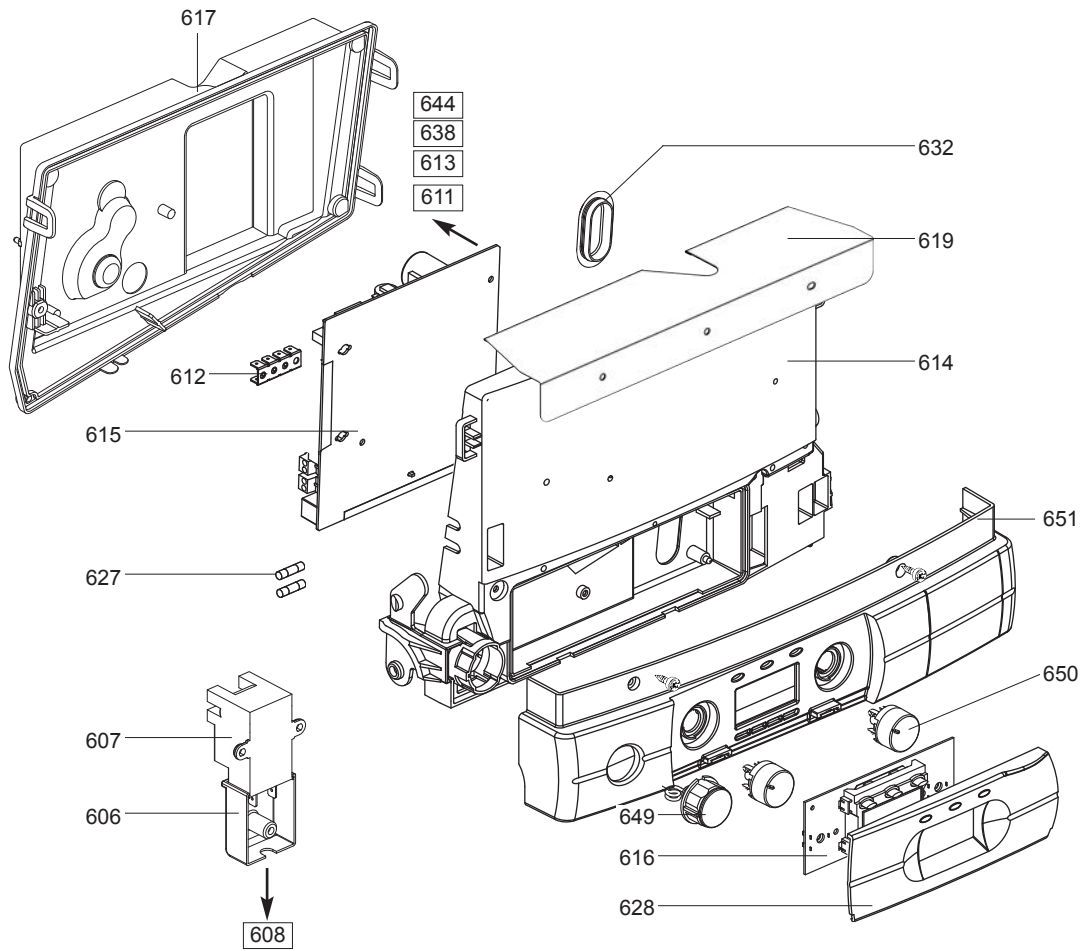
☉→	Description	Manf. Pt. N	Type																		
				1	2	3	4	5	6	7	8	9	10	11	12	13	14	15	16	17	18
0400	<b>GAS SECTION</b>																				
0401	GAS VALVE	61312123		•	•	•														11/06	
	GAS VALVE LPG	60000250	B/P	•		•	•													10/06	
	GAS VALVE NAT	60000242	NAT	•	•	•	•													10/06	
0402	SOLENOID VALVES KIT LPG	60081860	B/P	•		•	•														
	SOLENOID VALVES KIT NAT	60081859	NAT	•	•	•	•														
0406	SHEET GASKET D: 24-18.2-1.5	60022835-01		•	•	•	•														
0413	SHEET GASKET D: 18.4-12.2-1.5	60022835-14		•	•	•	•														
0418	GAS TUBE	60000245					•	•												10/06	
	GAS TUBE	61312603					•	•												11/06	
	GAS TUBE	61313505		•	•															11/06	
	GAS TUBE	60000233		•	•															10/06	
0430	FILTER	60000166		•	•	•	•	•													
0432	GASKET (/Solenoid valve)	61013018		•	•	•	•	•													
0435	O-RING D: 14.1-1.6	60021061-41		•	•	•	•	•													
0437	RESTRICTOR D: 5.7	60000498		•	•															11/06	
	RESTRICTOR D: 6.4	60000501						•												11/06	
	GAS RESTRICTOR D: 6	60000232	NAT	•	•	•														10/06	
	RESTRICTOR D: 5.3	60000500	NAT				•													11/06	
0438	SCREW CLXS M 5-45	61014414		•	•	•	•														
0444	IGNITER	61312612		•	•	•	•													11/06	
0449	PRESSURE TEST POINT SCREW	61016378		•	•	•	•														
0450	CONNECTION	61311718		•	•	•	•														
0451	CONNECTION	61311719		•	•	•	•														
0452	PIN	61302332		•	•	•	•														
0453	O-RING D: 13.6-2.7	60024164-18		•	•	•	•														
0454	O-RING D: 18-3.15	61312979		•	•	•	•														
0455	HYDRAULIC PLATE	61310772		•	•	•	•														

MIRA COMFORT - MX2

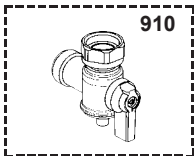
Domestic Gas Boilers



☉➔	Description	Manf. Pt. N	Type	<div style="display: flex; justify-content: space-between; align-items: center;"> <div style="transform: rotate(-45deg); font-size: small;"> MIRA COMFORT 24 CF  MIRA COMFORT 24 VMC  MIRA COMFORT 24 PF  MIRA COMFORT 30 PF </div> <div style="border: 1px solid black; padding: 2px;">31</div> </div>																	
				1	2	3	4	5	6	7	8	9	10	11	12	13	14	15	16	17	18
0500	<b>HYDRAULIC BLOCK</b>																				
0501	RIGHT HAND BLOCK + V3V	61315546		•	•	•	•														
0502	MOTOR - THREE-WAY VALVE	61302483-01		•	•	•	•														
0503	TUBE (Expan vessel)	61312602		•	•	•	•														
0504	SCREW CHc M 5-12	61018365		•	•	•	•														
0505	INTERFACE	61304003		•	•	•	•														
0506	VALVE KIT	61311597		•	•	•	•														
0507	NUT M 5	61016604		•	•	•	•														
0508	SHEET GASKET D: 12-6-2	61308868		•	•	•	•														
0509	O-RING D: 13.6-2.7	61009834-18		•	•	•	•														
0510	CLIP	61010112		•	•	•	•														
0511	O-RING D: 5.7-1.9	60024164-10		•	•	•	•														
0512	PLUG	61016752		•	•	•	•														
0513	PIN	61304002		•	•	•	•														
0514	CLIP	61002406		•	•	•	•														
0515	BY-PASS D:20	61316013		•	•	•	•														
0516	LEFT HAND HYDRAULIC BLOCK	60000234		•	•	•	•														
0518	O-RING D: 17-4	60024164-51		•	•	•	•														
0519	FLOW REGULATORE 8L/MN (RED)	61017288-08		•	•	•	•														
	FLOW REGULATORE 10L/MN (WHITE)	61017288-10					•														
0520	O-RING D: 13.6-2.7	60024164-18		•	•	•	•														
0521	PIN	61012909-02		•	•	•	•														
0522	PLUG	61313056		•	•	•	•														
0523	O-RING D: 18.4-2.7	60024164-22		•	•	•	•														
0524	PISTON	61311314		•	•	•	•														
0526	CLIP	61010005		•	•	•	•														
0527	PLUG	61002490		•	•	•	•														
0529	HEAT EXCHANGER TUBE	61312604					•														
	HEAT EXCHANGER TUBE	61313033		•	•		•														
0530	CLIP	61313953		•	•	•	•														
0531	AIR SEPARATOR HEAD ASSEMBLY	61304608		•	•	•	•														
0532	GASKET KIT	61304618		•	•	•	•														
0533	TUBE : PUMP TO HEAT EXCHANGER	61312605					•														
	TUBE : PUMP TO HEAT EXCHANGER	61313034		•	•		•														
0534	O-RING D: 16-1.9	61009833-37		•	•	•	•														
0535	BYPASS TUBE D:15	61314383		•	•	•	•														
0536	PIN	61302332		•	•	•	•														
0537	PRESSURE RELIEF VALVE 3 BAR	61312668		•	•	•	•														
0538	PUMP + AIR SEPARATOR 15/50	61301964		•	•	•	•														
	PUMP + AIR SEPARATOR 15/60	61303461		•	•	•	•														
0543	STOPPED WATER THROTTLE	61311745		•	•	•	•														
0548	CLIP	61010609		•	•	•	•														
0549	WATER FILTER	61301924		•	•	•	•														
0550	CAPACITOR	61000652-10		•	•	•	•														
0555	O RING D: 5.7-1.9	61009834-10		•	•	•	•														
0556	INSULATION	61313086		•	•	•	•														
0564	O-RING D: 24.6-3.6	61009834-30		•	•	•	•														
0565	PIN	61305185		•	•	•	•														
0570	STOPPED WATER THROTTLE BODY	60000668		•	•	•	•														
0571	PLUG	61314175		•	•	•	•														
0572	O-RING D: 25-2.4	60024164-32		•	•	•	•														
0573	PIN	61016206-02		•	•	•	•														
0574	GASKET D: 15-3	61315715		•	•	•	•														
0575	THERMISTOR TEMP. SENSOR	61314955		•	•	•	•														
0576	TEMPERATURE SENSOR CLIP	61002083		•	•	•	•														
0585	O-RING D: 8.9-2.7	61009834-14		•	•	•	•														
0589	INSUALTION-W/WATER HEAT EXCH.	60000235		•	•	•	•														
	WATER / WATER HEAT EXCHANGER 24	60000310		•	•	•	•														
0590	EXCHANGER GASKET	65104334		•	•	•	•														
0591	SCREW CLX M 5-20	61017600		•	•	•	•														
0592	PLUG	61314575		•	•	•	•														
0593	DRAIN SCREW ASSY	60081904		•	•	•	•														

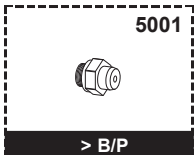


900



943  
 INSTALLATION KIT  
 FITTING KIT  
 INSTALLAZIONE KIT  
 KIT INSTALACION  
 INSTALLATIONSSATZ

5000





☉⇒	Description	Manf. Pt. N	Type	<div style="display: flex; justify-content: space-between; align-items: center;"> <div style="transform: rotate(-45deg); font-size: small;"> MIRA COMFORT 24 CF  MIRA COMFORT 24 VMC  MIRA COMFORT 24 PF  MIRA COMFORT 30 PF </div> <div style="border: 1px solid black; padding: 2px;">31</div> </div>																			
				1	2	3	4	5	6	7	8	9	10	11	12	13	14	15	16	17	18		
<b>0600</b>	<b>ELECTRICAL BOX</b>																						
0606	BASE PLATE	60000222		•	•	•	•																
0607	IGNITER	61002105-20		•	•	•	•														10/06		
0608	IGNITOR CABLE	60000173		•	•	•	•																
0611	WIRE ASSEMBLY	60000236		•																	10/06		
	WIRE ASSEMBLY	60000241			•																10/06		
	WIRE ASSEMBLY	60000246				•	•														10/06		
	WIRE ASSEMBLY	60000556		•																11/06			
	WIRE ASSEMBLY	60000557				•	•													11/06			
	WIRE ASSEMBLY	60000558			•															11/06			
0612	CONNECTION STRIP	61002725		•	•	•	•																
0613	CABLE (P.C.B.)	60000179		•	•	•	•																
0614	ELECTRIC BOX PLATE	61314330		•	•	•	•																
0615	PRINTED CIRCUIT BOARD	60000247		•	•	•	•														10/06		
	PRINTED CIRCUIT BOARD	60000485		•	•	•	•													11/06			
0616	PRINTED CIRCUIT BOARD (DISPLAY)	60000486		•	•	•	•																
0617	ELECTRICAL BOX COVER	61313986		•	•	•	•																
0619	DEFLECTOR	61315219		•	•	•	•																
0627	FUSE 250V 2A - TEMPORIZED	61003456		•	•	•	•																
	FUSE 250V 1.25A - TEMPORIZED	61003635		•	•	•	•																
	FUSE 250V 0.315A - TEMPORIZED	61307845		•	•	•	•																
0628	DOOR ASSY	61314431		•	•	•	•																
0632	CLOSURE PLATE	61304599		•	•	•	•																
0638	CABLE THREE WAY VALVE	61312615		•	•	•	•																
0644	CONNECTING TERMINAL	61308032		•	•	•	•																
0649	PRESSURE GAUGE	60000816		•	•	•	•														05/05		
	PRESSURE GAUGE	61313561		•	•	•	•														04/05		
0650	WHITE KNOB	61312930		•	•	•	•																
0651	SERIGRAPHED STRIP	60000238		•	•	•	•																
<b>0900</b>	<b>JIG PLATE &amp; PIPE FITTING</b>																						
0910	DISCONNECTOR	60000263		•	•	•	•																
	WATER RETURN SERVICE TAP	60000487		•	•	•	•																
	WATER FLOW SERVICE TAP	60000488		•	•	•	•																
	HOT WATER CONNECTION	60000489		•	•	•	•																
	GAS SERVICE TAP	60000490		•	•	•	•																
	COLD WATER TAP	60000491		•	•	•	•																
	INLET PIPE (DISCONNECTING)	60000492		•	•	•	•																
	DISCONNECTOR OUTLET PIPE	60000493		•	•	•	•																
	JIG PLATE	60000494		•	•	•	•																
	TUBE PVC D: 9x12 L: 1M	60081266		•	•	•	•																
	WALL HOOK	61312611		•	•	•	•																
0943	FITTING KIT	60000239		•	•																		
	FITTING KIT	60000248				•	•																
<b>5000</b>	<b>ACCESSORIES</b>																						
5001	CONVERSION KIT NAT > LPG	60000276				•	•														10/06		
	CONVERSION KIT NAT > LPG	60000666		•	•															11/06			
	CONVERSION KIT NAT > LPG	60000667				•	•													11/06			
	CONVERSION KIT NAT > LPG	60000275		•																	10/06		
5002	CONVERSION KIT LPG > NAT	60000655		•	•															11/06			
	CONVERSION KIT LPG > NAT	60000656				•														11/06			
	CONVERSION KIT LPG > NAT	60000657					•													11/06			

## LIST OF THE ABBREVIATIONS

HW .....	: Hot water.
CW .....	: Cold water.
C .....	: Ceramic resistance (normal heating).
Ca .....	: Ceramic resistance (accelerated heating)
TP .....	: Immersion heater.
1F .....	: With fittings.
2F .....	: Without fittings.
3F .....	: With fittings and another outlet connection.
AMI .....	: With mixing valve.
SMI .....	: Without mixing valve.
PUISS .....	: Power of th appliance.
PN .....	: Appliance with normal pression.
LP .....	: Appliance with low pression.
PV .....	: Appliance with variable power.
PF .....	: Appliance with fixed power.

## IDENTIFICATION PLATE

### SERIAL NUMBER

<b>10 Characters :</b>	04 05 125 011		
		Sequential number	
		Manufacturing day	
		Year of manufacture	
<b>11 Characters :</b>	1 95 065004 - 31		
Month of manufacture :		Technical number of the appliance	
from 1 to 9 → Jan. to Sep.,		Sequential number	
O → Oct., N → Nov.,		Year of manufacture	
D → Dec.			
<b>19 Characters :</b>	08 05 0013199 900640031		
Year of manufacture		Product reference	
Month of manufacture		Sequential number	
<b>20 Characters :</b>	3675007 XX 2 07 070 00315		
Product reference		Sequential number	
Millenium of manufacture		Manufacturing day	
		Year of manufacture	
<b>21 Characters :</b>	3675007 XX 07 070 0000315		
Product reference		Sequential number	
Year of manufacture		Manufacturing day	

The indications mentioned on the prices, commercial or technical literature and the scheme are written for your guidance and are available at a given time. The CONSTRUCTOR retains the power to modify the presentation, the form, the size, the conception or the material of the products.