

SPARE PARTS EXPLODED VIEW GAS WALL BOILERS

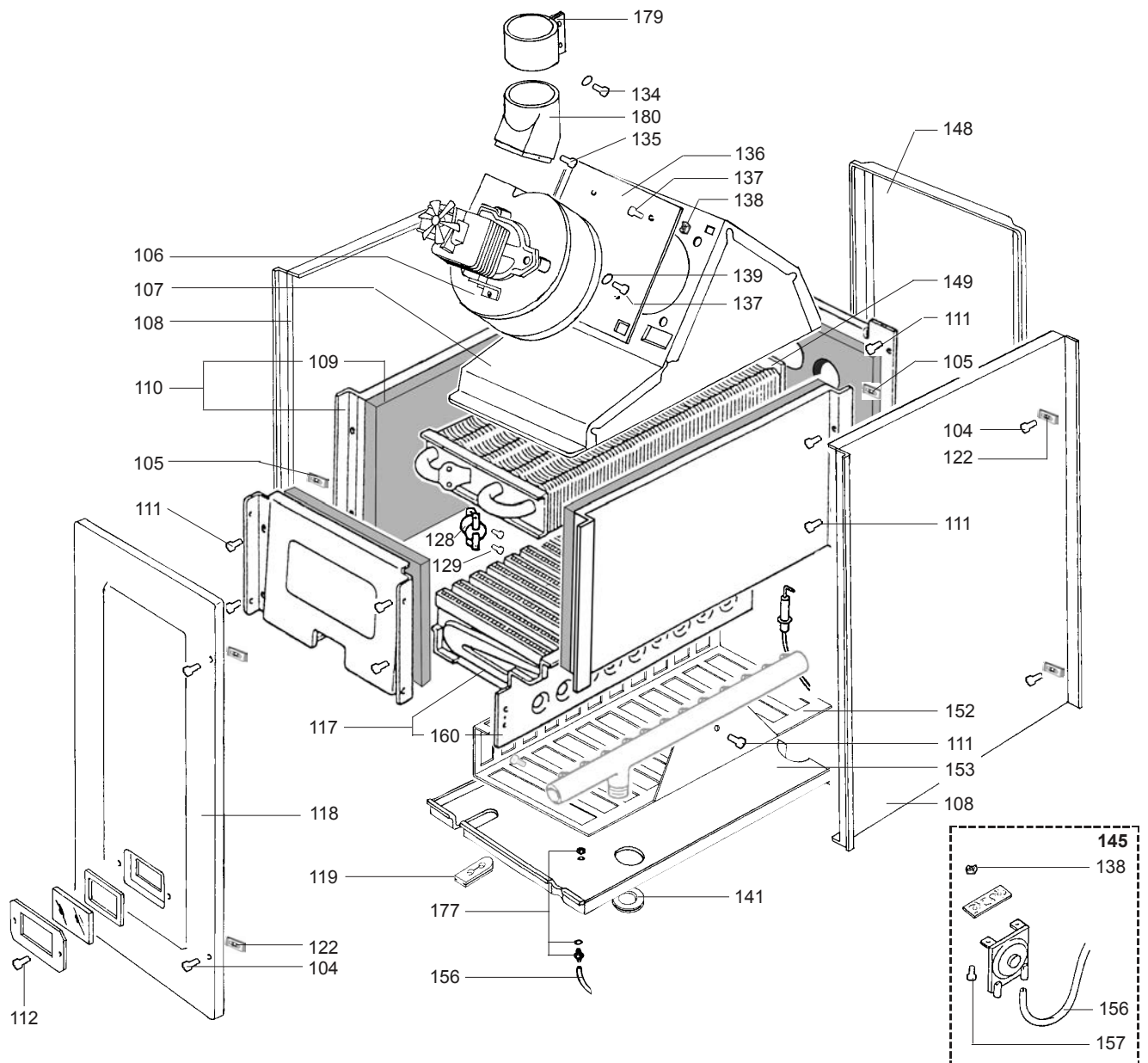
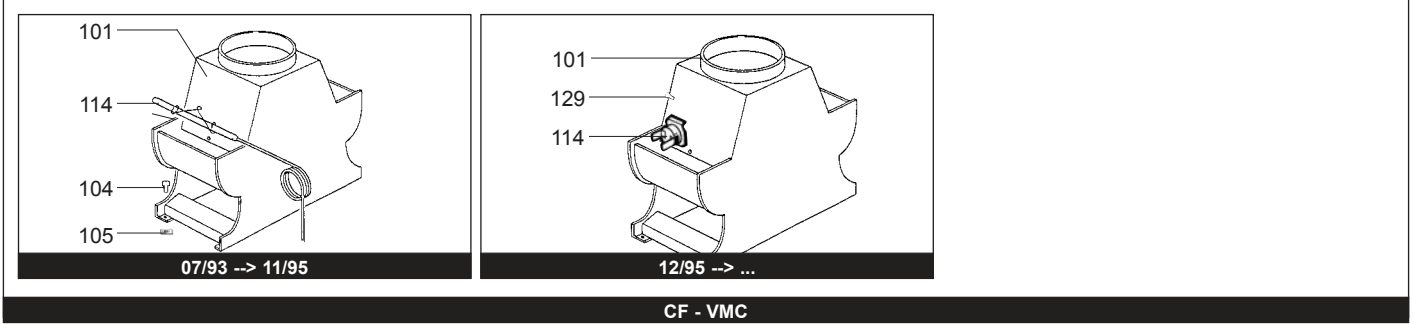
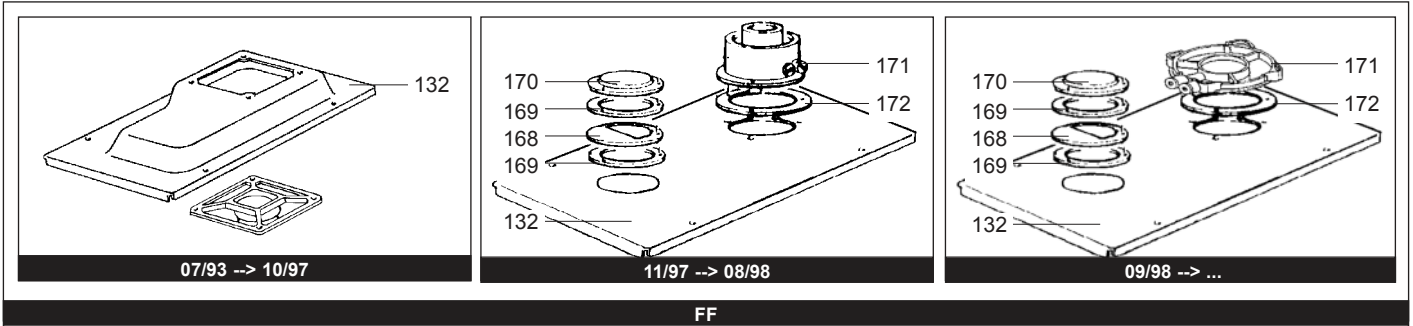
Model


NIAGARA

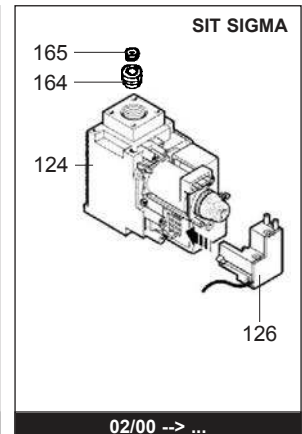
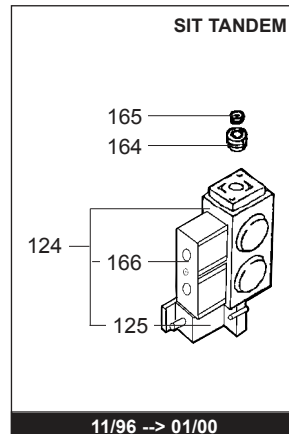
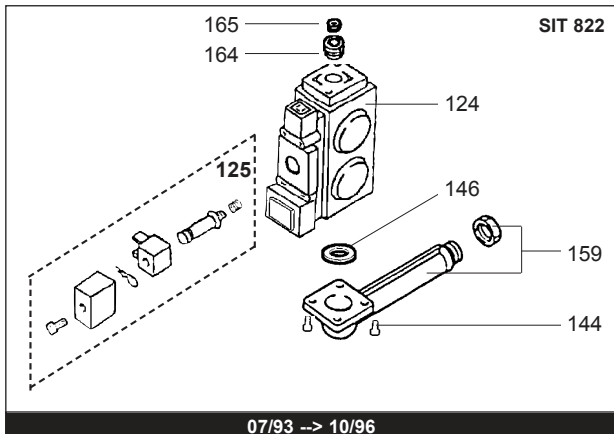
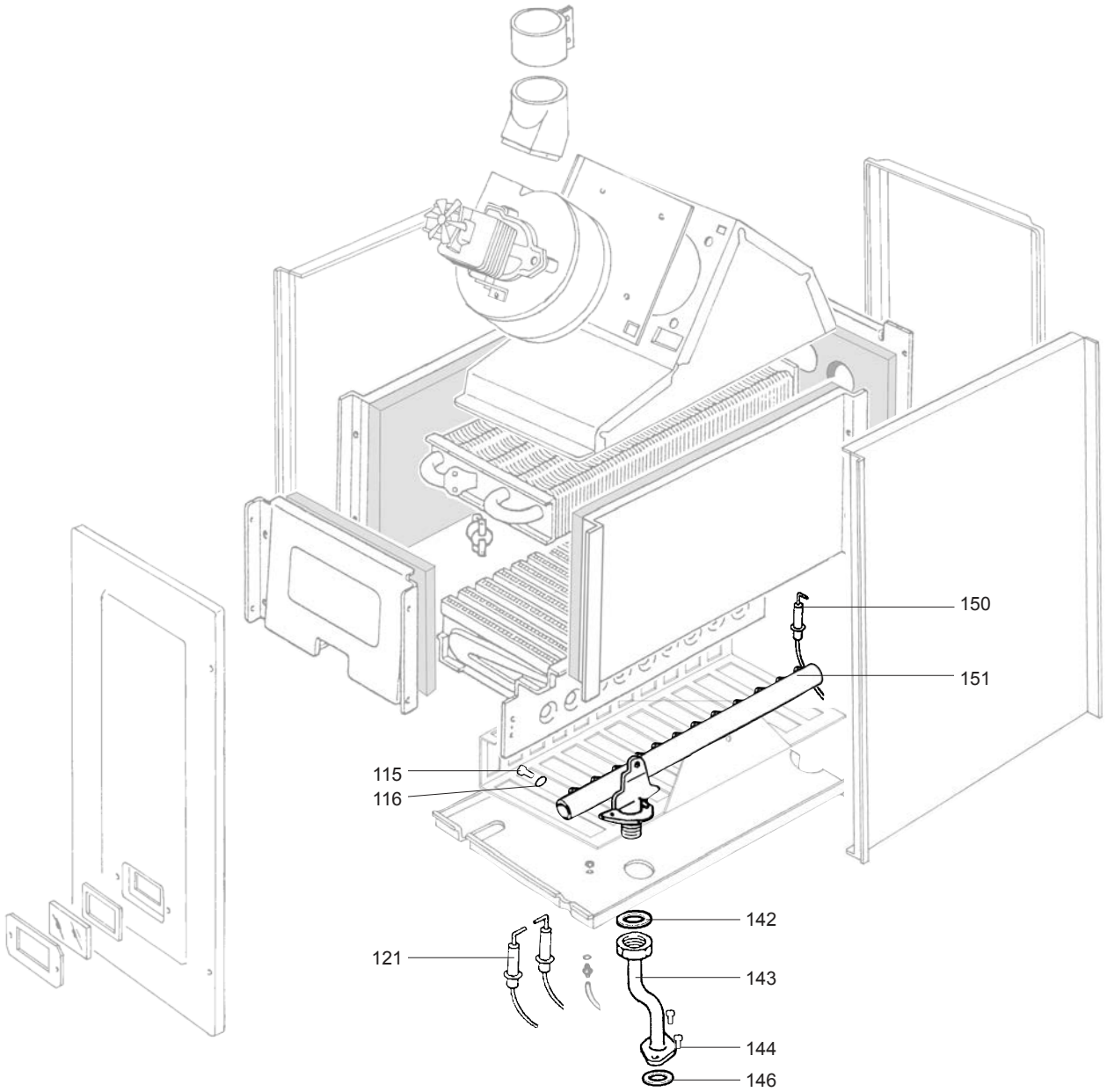
R8202218-07 - 21/03/2012

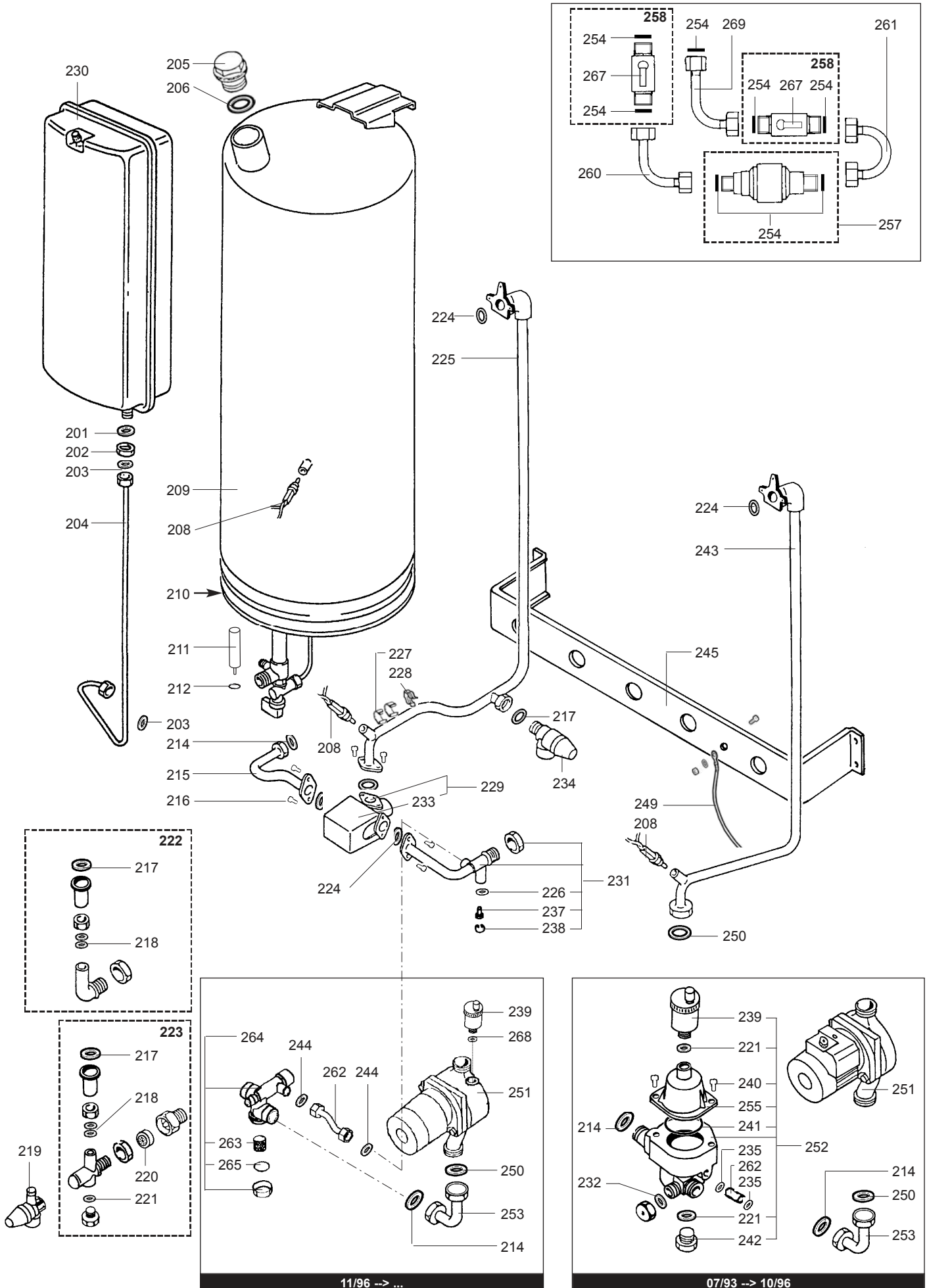
1	245831	NIAGARA 28 CF NAT	07/93	10/96
1	800245831	NIAGARA 28 CF NAT	11/96	08/98
1	800249131	NIAGARA 28 CF NAT	09/98	12/01
1	245821	NIAGARA 28 CF B/P	07/93	10/96
1	800245821	NIAGARA 28 CF B/P	11/96	08/98
1	800249121	NIAGARA 28 CF B/P	09/98	12/01
2	245837	NIAGARA 28 FF NAT	09/93	10/96
2	800245837	NIAGARA 28 FF NAT	11/96	10/97
2	800245838	NIAGARA 28 FF NAT	11/97	08/98
2	800249138	NIAGARA 28 FF NAT	09/98	12/01
2	245827	NIAGARA 28 FF B/P	09/93	10/96
2	800245827	NIAGARA 28 FF B/P	11/96	10/97
2	800245828	NIAGARA 28 FF B/P	11/97	08/98
2	800249128	NIAGARA 28 FF B/P	09/98	12/01
3	245731	NIAGARA 23 CF NAT	12/95	10/96
3	800245731	NIAGARA 23 CF NAT	11/96	08/98
3	800247731	NIAGARA 23 CF NAT	09/98	12/01
3	245721	NIAGARA 23 CF B/P	12/95	10/96
3	800245721	NIAGARA 23 CF B/P	11/96	08/98
3	800247721	NIAGARA 23 CF B/P	09/98	12/01
4	245736	NIAGARA 23 VMC NAT	12/95	10/96
4	800245736	NIAGARA 23 VMC NAT	11/96	08/98
4	800247736	NIAGARA 23 VMC NAT	09/98	12/01
5	800245737	NIAGARA 23 FF NAT	11/96	10/97
5	800245738	NIAGARA 23 FF NAT	11/97	08/98
5	800247738	NIAGARA 23 FF NAT	09/98	12/01
5	800245727	NIAGARA 23 FF B/P	11/96	10/97
5	800245728	NIAGARA 23 FF B/P	11/97	08/98
5	800247728	NIAGARA 23 FF B/P	09/98	12/01

Col	Reference	Model type	Begin	End
-----	-----------	------------	-------	-----



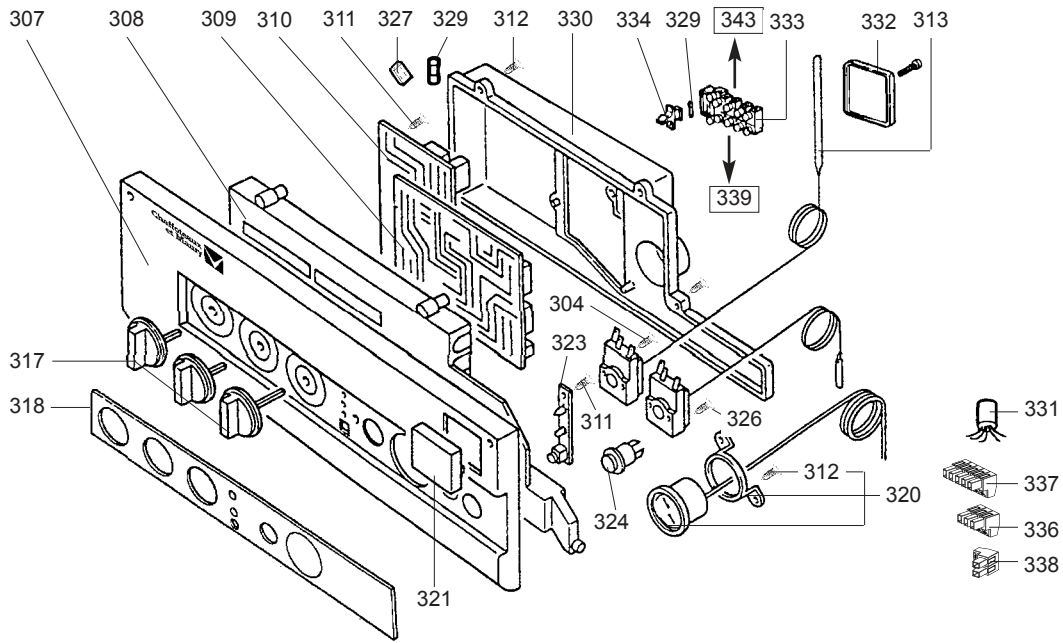
Description	Manf. Pt. N	Type	<div style="float: right; border: 1px solid black; padding: 2px; text-align: center;">  </div>																	
			1	2	3	4	5	6	7	8	9	10	11	12	13	14	15	16	17	18
0100 BURNER ASSEMBLY																				
0101 DRAUGHT DIVERTER	60084291																			
DRAUGHT DIVERTER	60084299																			
DRAUGHT DIVERTER	60084300																			
0104 TAPPING SCREW D: 4.2-13	60084035																			
0105 SPIRE CLIP	60084036																			
0106 FAN ASSY	60084015																			
CABLE (/ Fan assy)	60084161																	07/93	10/96	
CABLE (/ Fan assy)	60084536																	11/96	08/98	
CABLE (/ Fan assy)	60084659																	09/98		
0107 FLUE DUCT FIRST SECTION	60084573																	07/93		
0108 CASE SIDE PANEL	60084171																			
0109 INSULATING PLATES	60084050																			
0110 COMBUSTION CHAMBER	60084049																			
0111 TAPPING SCREW CBLX D: 4.2-9.5	61010125																			
0112 TAPPING SCREW CBLZ D: 3.5-9.5	60054033																			
0114 OVERHEAT THERMOSTAT	60084156																	07/93	11/95	
OVERHEAT THERMOSTAT 70C	60084292																	12/95		
OVERHEAT THERMOSTAT 50C	60084318																	12/95		
0117 BURNER HEAD	60084302																			
0118 CASE COVER ASSEMBLY	60084182																			
GASKET	60084189																			
0119 GROMMET	60084177																			
0122 SPIRE CLIP	60084174																			
0128 OVERHEAT THERMOSTAT 105C	60084020																			
CABLE (/Overheat thermostat)	60084034																	07/93	11/95	
CABLE (/Overheat thermostat)	60084278																	12/95	10/96	
CABLE (/Therm.-safety-modula.)	60084543																	11/96	01/00	
CABLE (/Therm.-safety-modula.)	60084625																	02/00		
0129 TAPPING SCREW D: 2.9-6.5	60084045																			
0132 CASE TOP PANEL	60084162																	07/93	10/97	
CASE TOP PANEL	60084554																	11/97	08/98	
CASE TOP PANEL	60084585																	09/98		
0134 TAPPING SCREW CBLZ D: 4.2-13	60079486																			
0135 SCREW M 6-8	60084167																			
0136 PLATE	60084168																			
0137 TAPPING SCREW D: 4.2-9.5	60084032																			
0138 TRAPPED NUT M 4	60084169																			
0139 WASHER	60084031																			
0141 GROMMET	60084184																			
0145 AIR PRESSURE SWITCH KIT	60084210																	07/93	10/97	
AIR PRESSURE SWITCH KIT	60084568																	11/97		
0148 CASE REAR PANEL	60084172																			
0149 HEAT EXCHANGER (106 LAMELLES)	61007725																			
0152 GRILLE	60084048																			
0153 BASE - CASE	60084175																	07/93	10/97	
GASKET	60084176																			
BASE - CASE	60084558																	11/97		
0156 SILICONE TUBE D: 4x7 L: 1M40	60081265-03																			
0157 SCREW M 4-12	60042585-02																			
0160 CROSS LIGHTING STRIP	60084257																			
0168 RESTRICTOR	60084549																	11/97	08/98	
RESTRICTOR	60084583																	09/98		
0169 GASKET	60084553																	11/97		
0170 CLOSURE PLATE	60084552																	11/97		
0171 FLUE ADAPTOR	60084550																	11/97	08/98	
FLUE ADAPTOR	60084600																	09/98		
0172 GASKET	60084584																	11/97		
0177 CONNECTION	60084559																	11/97		
0179 CONNECTION	60084159																	07/93	10/97	
CONNECTION	60084586																	11/97		
0180 BEND + VENTURI	60084631																	11/97		



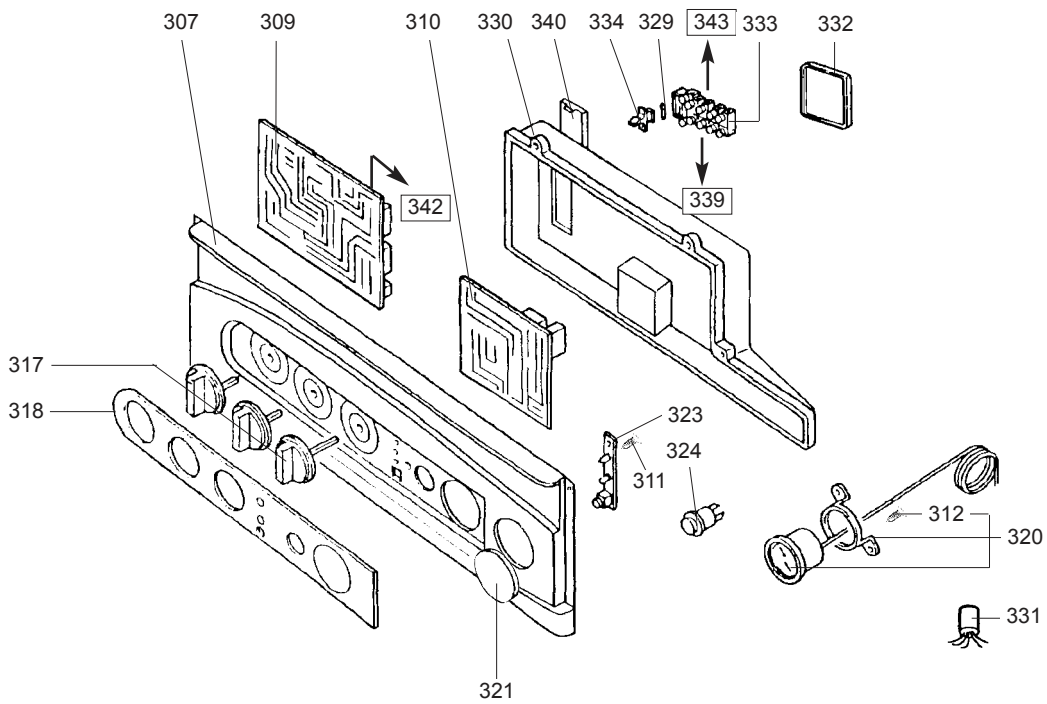


11/96 -> ...

07/93 -> 10/96

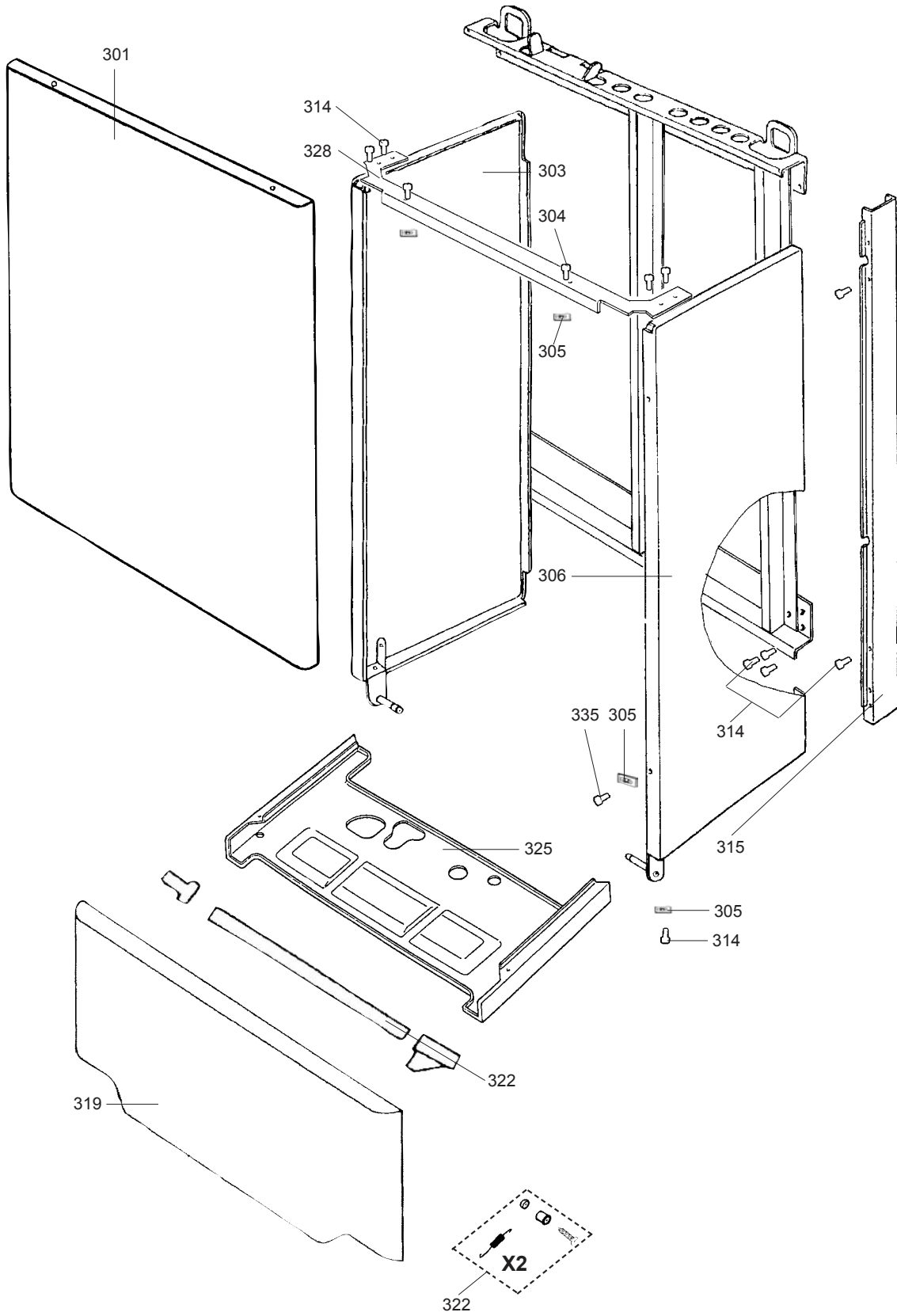


07/93 --> 08/98

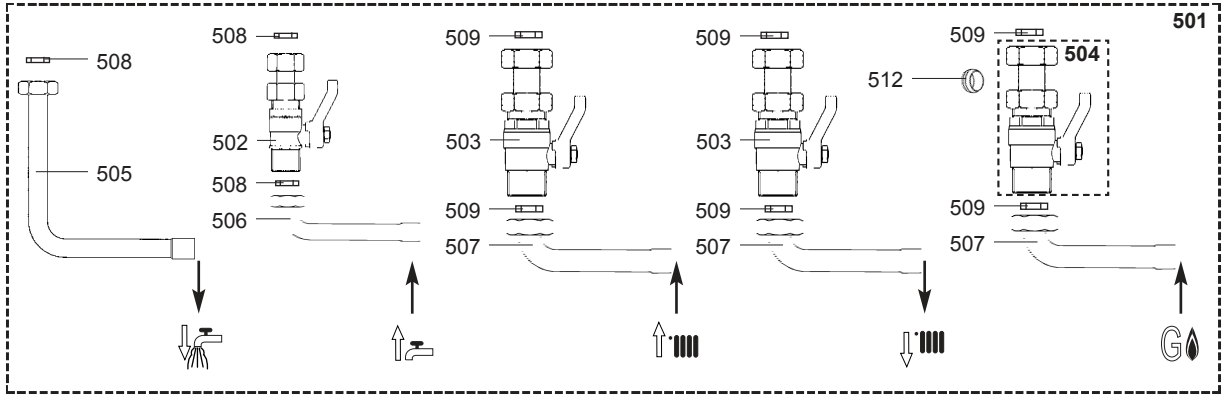


09/98 --> ...

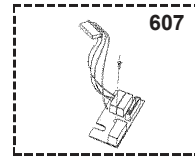
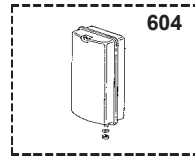
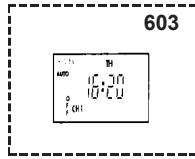
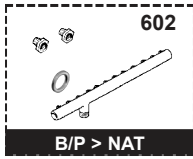
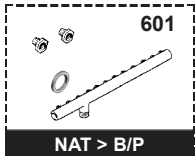
☉➔	Description	Manf. Pt. N	Type																				
				1	2	3	4	5	6	7	8	9	10	11	12	13	14	15	16	17	18		
0300	FRONT CASE																						
0304	TAPPING SCREW D: 3.5-9.5	60084126		●	●	●	●																
0307	CONTROL PANEL	60084130		●	●	●	●													07/93	08/98		
	CONTROL PANEL	60084591		●	●	●	●													09/98			
0308	COVER SUPPORT	60084131		●	●	●	●													07/93	10/96		
	COVER SUPPORT	60084514		●	●	●	●													11/96	08/98		
0309	PRINTED CIRCUIT BOARD	60084008		●	●	●	●													07/93	10/96		
	PRINTED CIRCUIT BOARD	60084515		●	●	●	●													11/96	08/98		
	PRINTED CIRCUIT BOARD	60084516		●	●	●	●													11/96	08/98		
	PRINTED CIRCUIT BOARD	60084592		●	●	●	●													09/98			
0310	PRINTED CIRCUIT BOARD	60084003		●	●	●	●													07/93	10/96		
	PRINTED CIRCUIT BOARD OF IONI.	60084013		●	●	●	●													07/93	10/96		
	PRINTED CIRCUIT BOARD	60084517		●	●	●	●													11/96	08/98		
	PRINTED CIRCUIT BOARD	60084593		●	●	●	●													09/98	04/01		
	PRINTED CIRCUIT BOARD	60084594		●	●	●	●													09/98	04/01		
	PRINTED CIRCUIT BOARD	60084647		●	●	●	●													05/01			
	PRINTED CIRCUIT BOARD	60084648		●	●	●	●													05/01			
0311	TAPPING SCREW D: 3.5-8	60084290		●	●	●	●																
0312	SCREW	60084133		●	●	●	●																
0313	OVERHEAT THERMOSTAT	60084156		●	●	●	●													07/93	11/95		
0317	KNOBS SET	60084158		●	●	●	●																
0318	PRINTED FACIA	60084140		●	●	●	●													07/93	10/96		
	PRINTED FACIA	60084191		●	●	●	●													07/93	10/96		
	PRINTED FACIA	60084518		●	●	●	●													11/96	08/98		
	PRINTED FACIA	60084563		●	●	●	●													11/96	08/98		
	PRINTED FACIA	60084598		●	●	●	●													09/98			
	PRINTED FACIA	60084605		●	●	●	●													09/98			
0320	THERMO-MANOMETER KIT	60084103		●	●	●	●																
0321	COVER	60084144		●	●	●	●													07/93	08/98		
	COVER	60084599		●	●	●	●													09/98			
0323	PRINTED CIRCUIT BOARD	60084014		●	●	●	●													07/93	10/96		
	PRINTED CIRCUIT BOARD	60084026		●	●	●	●													07/93	10/96		
	PRINTED CIRCUIT BOARD	60084519		●	●	●	●													11/96	08/98		
	PRINTED CIRCUIT BOARD	60084520		●	●	●	●													11/96	08/98		
	PRINTED CIRCUIT BOARD	60084595		●	●	●	●													09/98			
0324	BUTTON	60084022		●	●	●	●													07/93	08/98		
	BUTTON	60084587		●	●	●	●													09/98			
0326	SCREW M 4-6	60019197-03		●	●	●	●																
0327	STRAP	60084221		●	●	●	●																
0329	FUSE 250V 2A	60054442		●	●	●	●																
0330	ELECTRICAL BOX COVER	60084601		●	●	●	●																
0331	FILTER	60084025		●	●	●	●													07/93	10/96		
	FILTER	60084522		●	●	●	●													11/96			
0332	COVER	60084521		●	●	●	●																
0333	CONNECTION STRIP	60084533		●	●	●	●													11/96			
0334	FUSE HOLDER	60084534		●	●	●	●													11/96			
0336	CONNECTOR (/Timeclock)	60084538		●	●	●	●													07/93	10/96		
0337	CONNECTOR (/Feed)	60084539		●	●	●	●													07/93	10/96		
0338	CONNECTOR (/Room thermostat)	60084540		●	●	●	●													07/93	10/96		
0339	CONNECTION BOX CABLE	60084660		●	●	●	●																
0340	COVER SUPPORT	60084590		●	●	●	●													09/98			
0342	INTERCONNECTION CABLE	60084616		●	●	●	●													07/93	10/96		
	INTERCONNECTION CABLE	60084665		●	●	●	●													09/98	04/02		
0343	SUPPLY CABLE	60084147		●	●	●	●																



500



600



☉⇒	Description	Manf. Pt. N	Type	<div style="display: flex; justify-content: space-between; font-size: small;"> NIAGARA 28 CF NIAGARA 28 FF NIAGARA 23 CF NIAGARA 23 MMC </div>																		31
				1	2	3	4	5	6	7	8	9	10	11	12	13	14	15	16	17	18	
0500	JIG PLATE & PIPE FITTING																					
0501	CONNECTION KIT	61017396		•	•	•	•	•														
0502	COLD WATER SERVICE TAP KIT	60084250		•	•	•	•	•														
0503	WATER FLOW & RETURN SERVI. TAP	60084251		•	•	•	•	•														
0504	GAS SERVICE TAP KIT	60084252		•	•	•	•	•														
0505	HOT WATER PIPE	60084253		•	•	•	•	•														
0506	COLD WATER PIPE	60084254		•	•	•	•	•														
0507	WATER FLOW & RETURN-GAS PIPE	60084255		•	•	•	•	•														
0508	GASKET D:18-12-2	60084258		•	•	•	•	•														
0509	GASKET D: 24-17-2	60084259		•	•	•	•	•														
0512	COMPRESSION OLIVE D: 18	60001095		•	•	•	•	•														
0600	ACCESSORIES																					
0601	CONVERSION KIT NAT > LPG	60084149		•	•															07/93	11/95	
	CONVERSION KIT NAT > LPG	60084314		•	•															12/95	01/00	
	CONVERSION KIT NAT > LPG	60084321				•		•												12/95	01/00	
	CONVERSION KIT NAT > LPG	61303170		•	•															02/00		
	CONVERSION KIT NAT > LPG	61303171				•		•												02/00		
0602	CONVERSION KIT BUT/PROP > NAT	60084150		•																07/93	11/95	
	CONVERSION KIT BUT/PROP > NAT	60084207			•															07/93	11/95	
	CONVERSION KIT BUT/PROP > NAT	60084315		•																12/95	01/00	
	CONVERSION KIT BUT/PROP > NAT	60084316			•															12/95	01/00	
	CONVERSION KIT BUT/PROP > NAT	60084322				•		•												12/95	01/00	
	CONVERSION KIT BUT/PROP > NAT	61303550		•																02/00		
	CONVERSION KIT BUT/PROP > NAT	61303551			•															02/00		
	CONVERSION KIT BUT/PROP > NAT	61303552				•		•												02/00		
0603	DIGITAL TIMECLOCK	61008962		•	•	•	•	•												07/93	08/98	
	MECANICAL TIMECLOCK	61016745		•	•	•	•	•												09/98		
0604	EXPANSION VESSEL KIT	61008966		•	•	•	•	•														
0607	PHASE INSULATOR KIT	60084619		•	•	•	•	•												11/96	08/98	

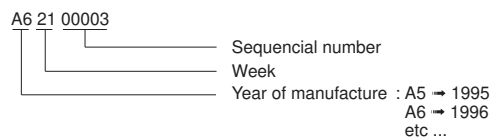
LIST OF THE ABBREVIATIONS

HW	: Hot water.
CW	: Cold water.
C	: Ceramic resistance (normal heating).
Ca	: Ceramic resistance (accelerated heating)
TP	: Immersion heater.
1F	: With fittings.
2F	: Without fittings.
3F	: With fittings and another outlet connection.
AMI	: With mixing valve.
SMI	: Without mixing valve.
PUISS	: Power of th appliance.
PN	: Appliance with normal pression.
LP	: Appliance with low pression.
PV	: Appliance with variable power.
PF	: Appliance with fixed power.

IDENTIFICATION PLATE

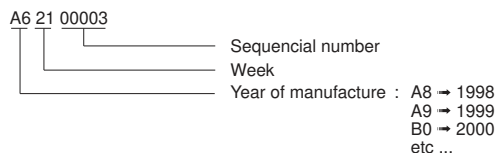
SERIAL NUMBER

9 Characters :

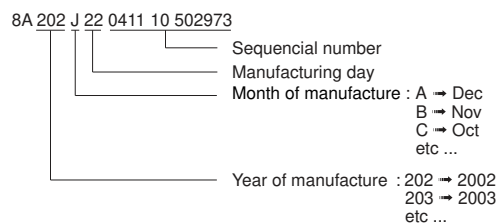


OR

9 Characters :



20 Characters :



The indications mentioned on the prices, commercial or technical literature and the scheme are written for your guidance and are available at a given time. The CONSTRUCTOR retains the power to modify the presentation, the form, the size, the conception or the material of the products.