

SPARE PARTS EXPLODED VIEW HEAT PUMPS

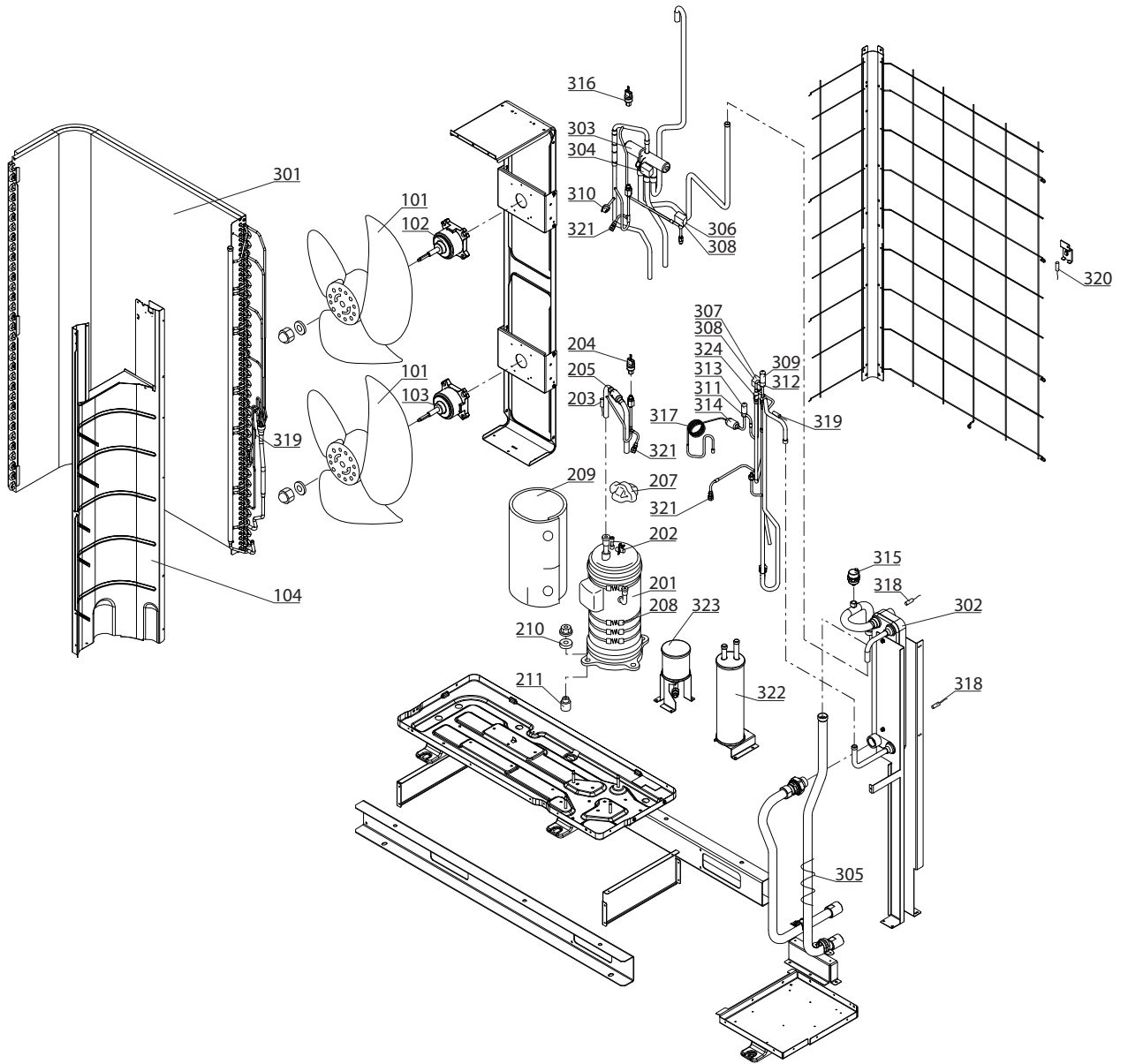
Model

AEROPUR

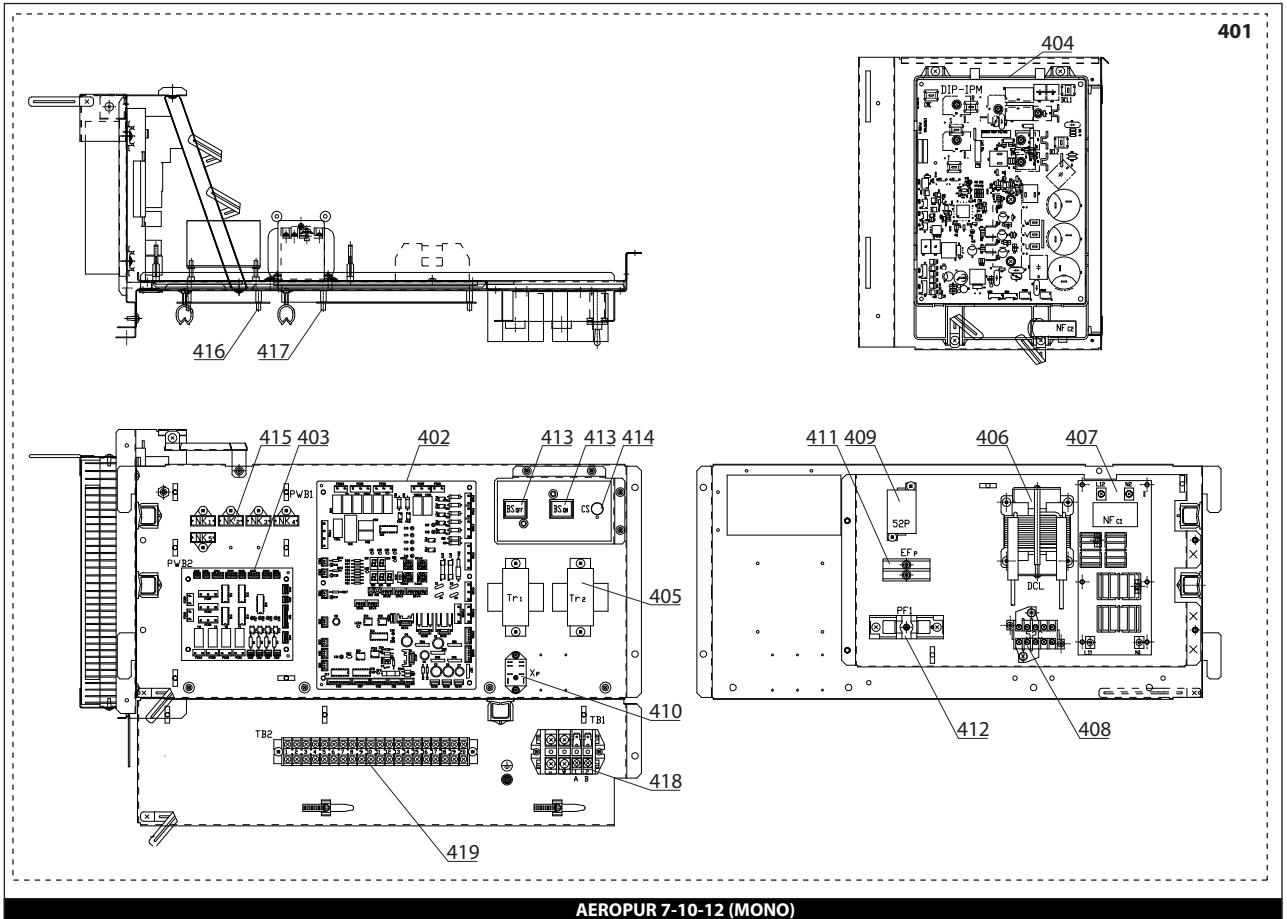
R8203232-03 - 07/11/2012

1	3640636	AEROPUR 7	09-2009	11-2010
2	3640637	AEROPUR 10	09-2009	11-2010
3	3640638	AEROPUR 12	09-2009	11-2010
3	3640639	AEROPUR 12 TRI	09-2009	11-2010

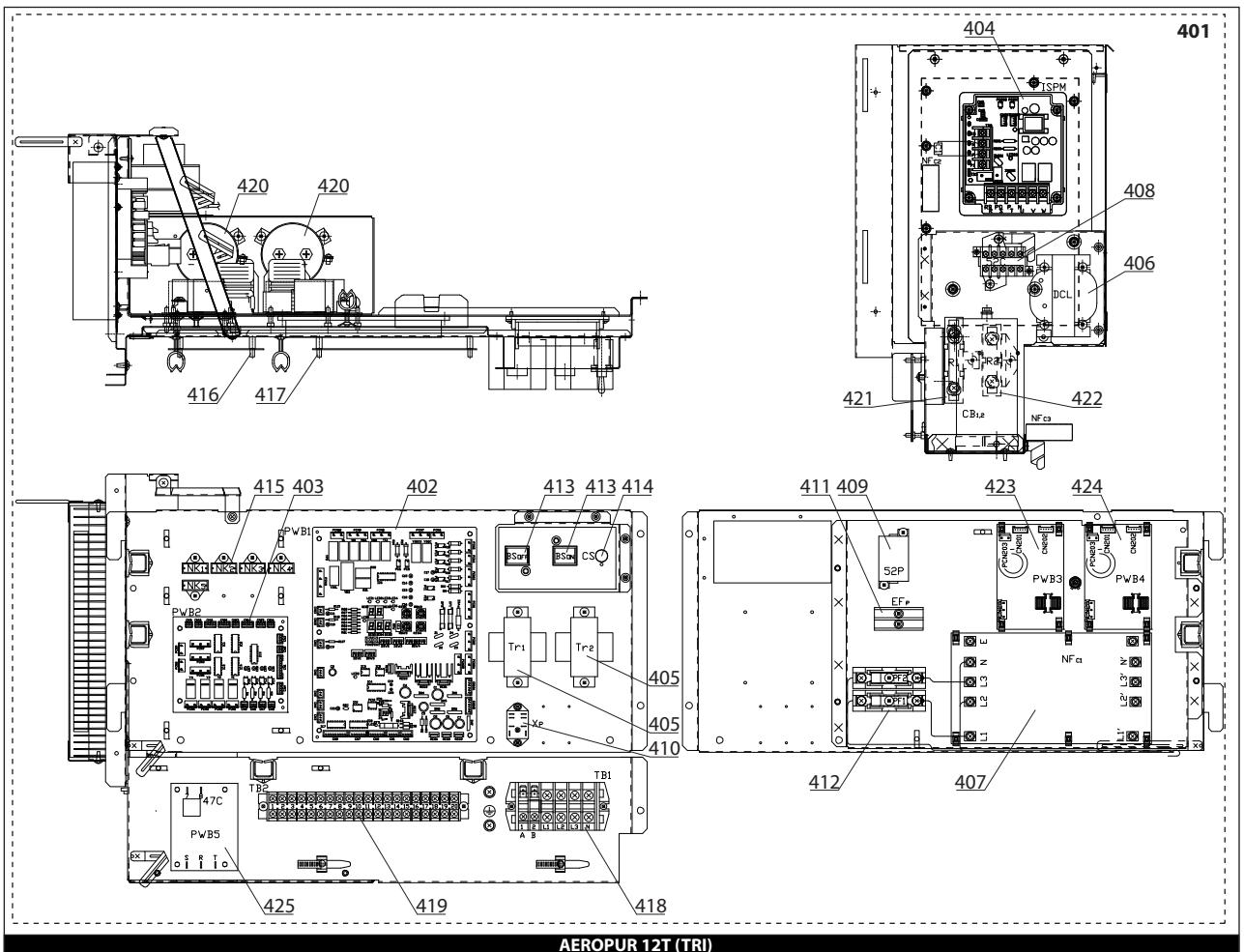
Col	Reference	Model type	Begin	End
-----	-----------	------------	-------	-----



☉→	Description	Manf. Pt. N	Type	<div style="display: flex; justify-content: space-between; align-items: center;"> <div style="transform: rotate(-45deg); font-size: small;">AEROPUR 7 AEROPUR 10 AEROPUR 12</div> <div style="border: 1px solid black; padding: 2px;">31</div> </div>																	
				1	2	3	4	5	6	7	8	9	10	11	12	13	14	15	16	17	18
0100	FAN GROUP																				
0101	FAN ASSY	60001434		•	•	•															
0102	MOTOR	60001439		•	•	•															
0103	MOTOR	60001443		•	•	•															
0104	WALL	60001476		•	•	•															
0200	COMPRESSOR																				
0201	COMPRESSOR	60001463		•	•																
	COMPRESSOR	60001464	MONO			•															
	COMPRESSOR	60001465	TRI			•															
0202	THERMISTOR	60001402		•	•	•															
0203	THERMISTOR	60001403		•	•	•															
0204	PRESSURE PICK-UP	60001497		•	•	•															
0205	SIEVE	60001404		•	•	•															
0207	PLUG	60001461		•	•	•															
0208	OIL HEATER	60001407		•	•	•															
0209	SOUNDPROOFING PROTECTION	60001447		•	•	•															
0210	SPACER	60001395		•	•	•															
0211	SPACER	60001397		•	•	•															
0300	HYDRAULIC BLOCK																				
0301	AIR EXCHANGER	60001478		•	•																
	AIR EXCHANGER	60001479				•															
0302	WATER EXCHANGER	60001480		•	•																
	WATER EXCHANGER	60001481				•															
0303	4 WAY VALVE	60001424		•	•	•															
0304	4 WAY VALVE + COIL	60001425		•	•	•															
0305	RESISTANCE	60001477		•	•	•															
0306	ELECTROMAGNETIC VALVE	60001416		•	•	•															
0307	ELECTROMAGNETIC VALVE	60001413		•	•	•															
0308	COIL	60001415		•	•	•															
0309	COIL	60001417		•	•	•															
0310	STOPPED WATER THROTTLE	60001412		•	•	•															
0311	EXPANSION VALVE	60001419		•	•	•															
0312	EXPANSION VALVE	60001452		•	•	•															
0313	COIL	60001492		•	•	•															
0314	SILENCER	60001454		•	•	•															
0315	DRAIN SCREW	60001468		•	•	•															
0316	PRESSURE PICK-UP	60001422		•	•	•															
0317	CAPILLARY TUBE	60001453		•	•	•															
0318	THERMISTOR	60001405		•	•	•															
0319	THERMISTOR	60001409		•	•	•															
0320	THERMISTOR	60001408		•	•	•															
0321	GASKET	60001406		•	•	•															
0322	TANK	60001457		•	•	•															
0323	TANK	60001458		•	•	•															
0324	SIEVE	60001401		•	•	•															

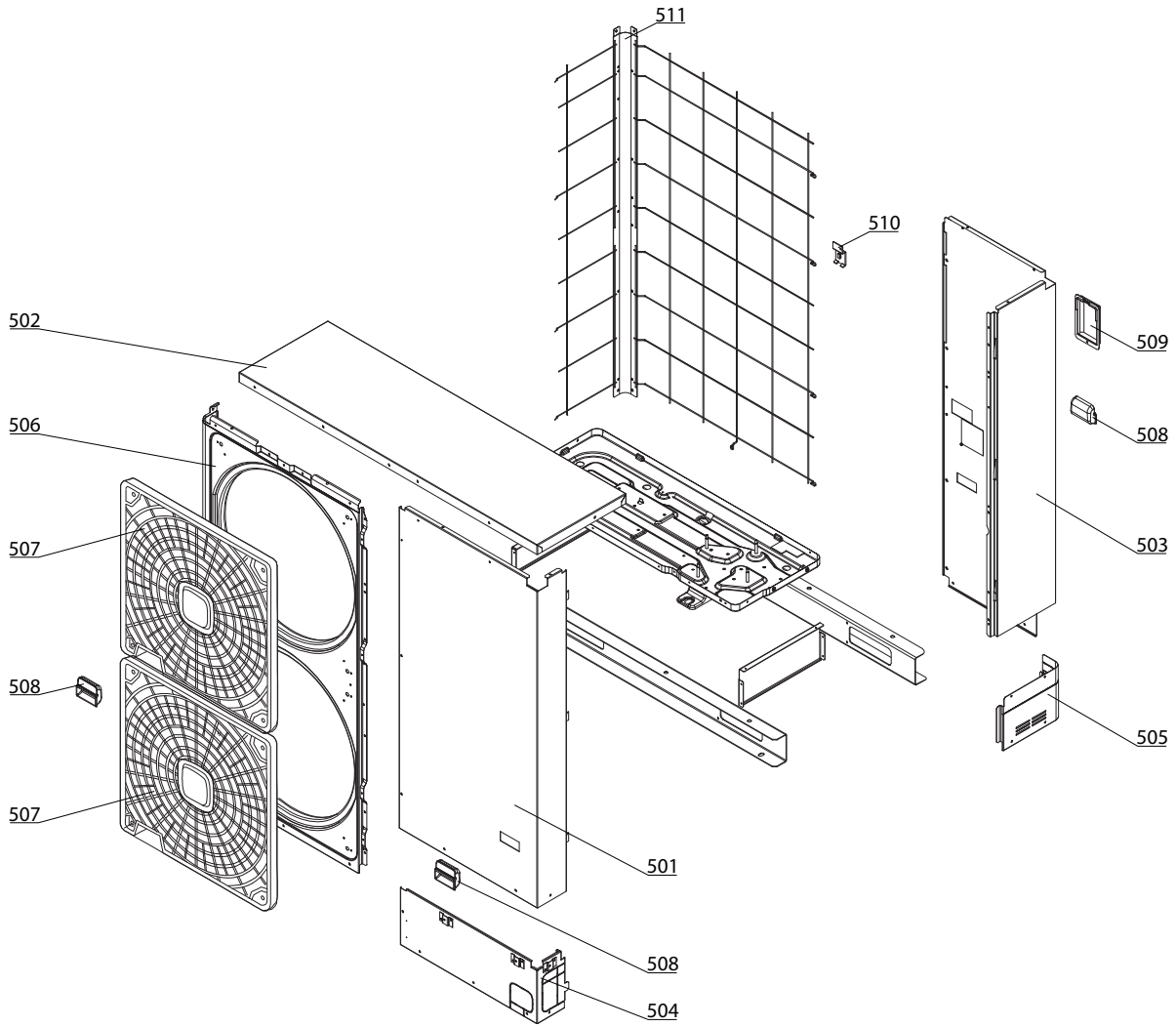


AEROPUR 7-10-12 (MONO)

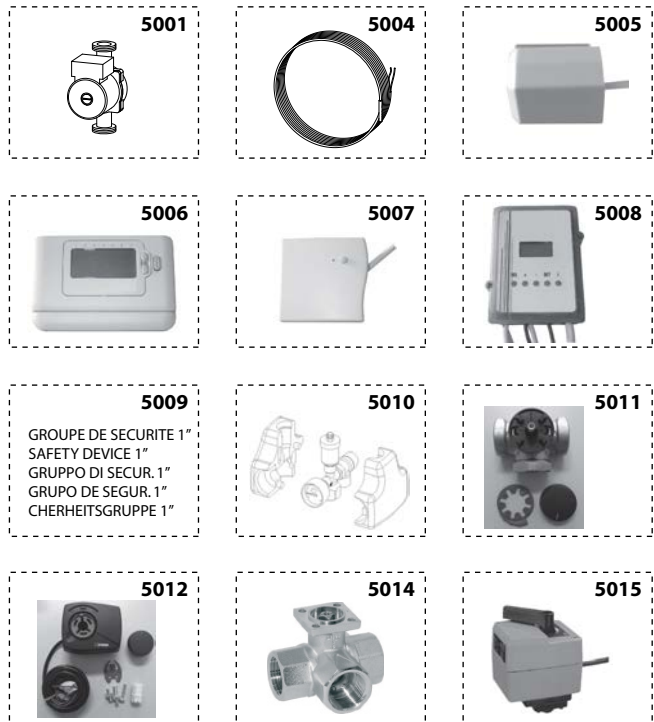
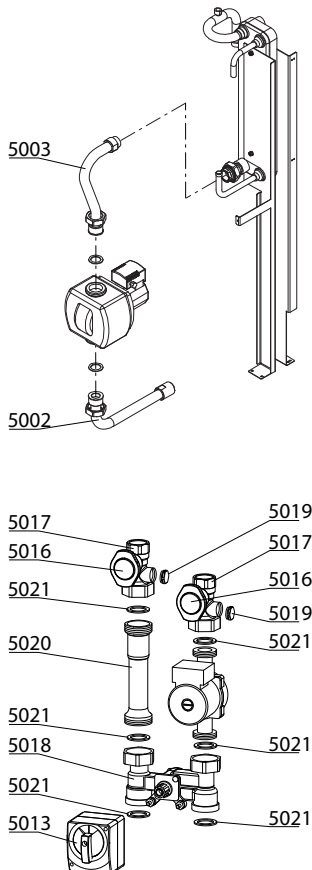


AEROPUR 12T (TRI)

☉⇒	Description	Manf. Pt. N	Type	<div style="display: flex; justify-content: space-between; align-items: center;"> <div style="transform: rotate(-45deg); font-size: small;">AEROPUR 7 AEROPUR 10 AEROPUR 12</div> <div style="border: 1px solid black; padding: 2px;">31</div> </div>																	
				1	2	3	4	5	6	7	8	9	10	11	12	13	14	15	16	17	18
0400	ELECTRICAL BOX																				
0401	ELECTRICAL BOX	60001448		•																	
	ELECTRICAL BOX	60001449			•																
	ELECTRICAL BOX	60001450	MONO			•															
	ELECTRICAL BOX	60001451	TRI				•														
0402	PRINTED CIRCUIT BOARD	60001466		•	•	•															
0403	PRINTED CIRCUIT BOARD	60001467		•	•	•															
0404	INVERTER PRINTED CIRCUIT BOARD	60001436		•	•																
	INVERTER PRINTED CIRCUIT BOARD	60001437	MONO				•														
	INVERTER PRINTED CIRCUIT BOARD	60001431	TRI					•													
0405	TRANSFORMER	60001496		•	•	•															
0406	TRANSFORMER	60001429		•	•																
	TRANSFORMER	60001442	MONO				•														
	TRANSFORMER	60001421	TRI					•													
0407	FILTER SUPPRESSOR	60001430	MONO	•	•	•															
	FILTER SUPPRESSOR	60001428	TRI				•														
0408	CONTACTOR	60001418		•	•	•															
0409	CONTACTOR	60001495		•	•	•															
0410	RELAY	60001410		•	•	•															
0411	FUSE 3A	60001398		•	•	•															
0412	FUSE 40A	60001399		•	•																
	FUSE 50A	60001400	MONO				•														
	FUSE 20A	60001396	TRI					•													
0413	KNOB	60001490		•	•	•															
0414	KNOB	60001491		•	•	•															
0415	PROTECTION	60001432		•	•	•															
0416	SPACER	60001493		•	•	•															
0417	SPACER	60001494		•	•	•															
0418	CONNECTING TERMINAL	60001435	MONO	•	•	•															
	CONNECTING TERMINAL	60001488	TRI				•														
0419	CONNECTING TERMINAL	60001489		•	•	•															
0420	CAPACITOR 2700MF	60001444	TRI				•														
0421	RESISTANCE	60001414	TRI					•													
0422	RESISTANCE	60001411	TRI					•													
0423	PRINTED CIRCUIT BOARD	60001426	TRI					•													
0424	PRINTED CIRCUIT BOARD	60001427	TRI					•													
0425	RELAY	60001420	TRI					•													



5000



☉⇒	Description	Manf. Pt. N	Type	AEROPUR 7 AEROPUR 10 AEROPUR 12																	
				1	2	3	4	5	6	7	8	9	10	11	12	13	14	15	16	17	18
0500	FRONT CASE																				
0501	CASE	60001469		•																	
	CASE	60001470			•																
	CASE	60001471	MONO			•															
	CASE	60001472	TRI				•														
0502	TOP PANEL	60001474		•	•	•															
0503	REAR PANEL	60001473		•	•	•															
0504	COVER	60001475		•	•	•															
0505	COVER	60001441		•	•	•															
0506	PROTECTIVE CAP FAN ASSY	60001440		•	•	•															
0507	GRILLE	60001433		•	•	•															
0508	HANDLE	60001459		•	•	•															
0509	COVER	60001460		•	•	•															
0510	SUPPORT	60001462		•	•	•															
0511	PROTECTION GRILLE	60001438		•	•	•															
5000	ACCESSORIES																				
5001	PUMP RS25/6	60002126		•	•	•															
	PUMP RS25/4	60002127		•	•	•															
	PUMP RS25/2	60002128		•	•	•															
5002	TUBE - PUMP	60001455		•	•	•															
5003	TUBE - PUMP	60001456		•	•	•															
5004	PROBE	60001482		•	•	•															
5005	OUTSIDE HEAT SENSOR	60001483		•	•	•															
5006	ROOM THERMOSTAT	60001484		•	•	•															
5007	RADIO RECEIVER	60001485		•	•	•															
5008	CONTROL BOX	60001486		•	•	•															
5009	SAFETY DEVICE 1" (DN25/32)	60002129		•	•	•															
5010	SAFETY DEVICE 1"	60002130		•	•	•															
5011	THREE-WAY VALVE	60002131		•	•	•															
5012	MOTOR - THREE-WAY VALVE	60002132		•	•	•															
5013	MOTOR ST-10 / MK25	60002133		•	•	•															
5014	MIXING 3 WAYS VALVE	60002134		•	•	•															
5015	MOTOR MIXING 3 WAYS VALVE	60002135		•	•	•															
5016	THERMOMETRE HYDRON	12046394		•	•	•															
5017	RUBINETTO DN25 R 1 M. 1/2	12046251		•	•	•															
5018	H-MISCELATORE DN25	12045470		•	•	•															
5019	PLUG 1/2 + SEALING RING	12053159		•	•	•															
5020	TUBE DN 25 L180	12059792		•	•	•															
5021	GUARNIZIONE D:44-32-2	12013460		•	•	•															

LIST OF THE ABBREVIATIONS

HW	: Hot water.
CW	: Cold water.
C	: Ceramic resistance (normal heating).
Ca	: Ceramic resistance (accelerated heating)
TP	: Immersion heater.
1F	: With fittings.
2F	: Without fittings.
3F	: With fittings and another outlet connection.
AMI	: With mixing valve.
SMI	: Without mixing valve.
PUISS	: Power of th appliance.
PN	: Appliance with normal pression.
LP	: Appliance with low pression.
PV	: Appliance with variable power.
PF	: Appliance with fixed power.

IDENTIFICATION PLATE

SERIAL NUMBER

12 Characters : 004.07.10.T07CX

Sequential number	004	07	10	T07CX	Product model
					Month of manufacture
					Year of manufacture

OR

12 Characters : 4 H E 56378

Fixed reference	4	H	E	56378	Sequential number
					Fixed reference
					Sequential number

15 Characters : A1010 XX 09 043 002

Product model	A1010	XX	09	043	002	Sequential number
						Day of manufacture
						Year of manufacture