

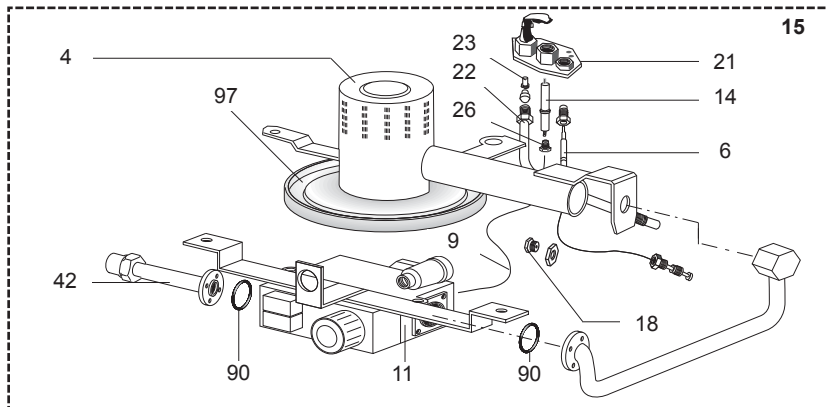
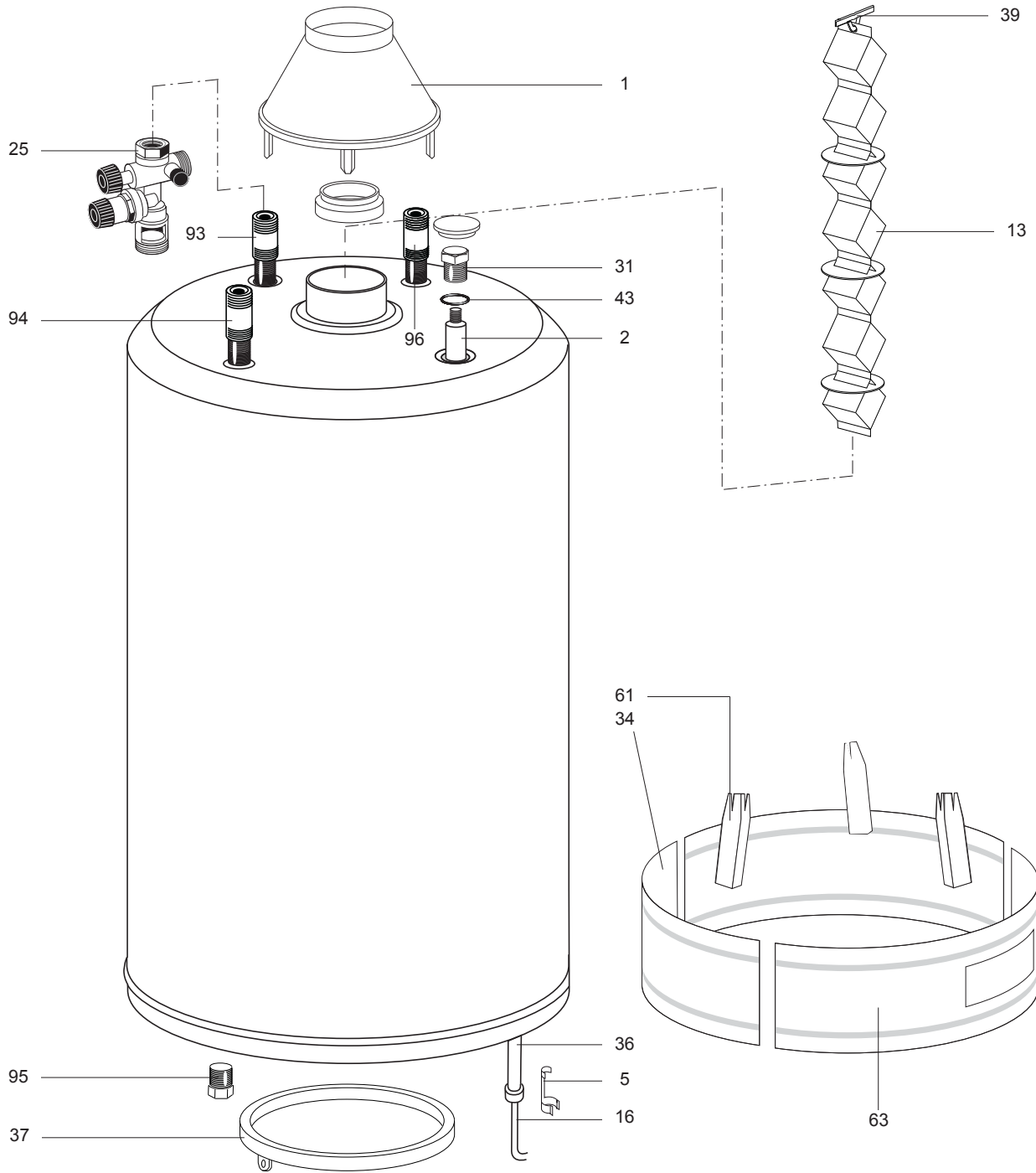
SPARE PARTS EXPLODED VIEW  
STORAGE GAS WATER HEATERS

Model

**300P CA**

R8215895-03 - 30/04/2012

1	007272	300P CA C&M	09-2002	-
Col	Reference	Model type	Begin	End



☉⇒	Description	Manf. Pt. N	Type	300P CA																	
				1	2	3	4	5	6	7	8	9	10	11	12	13	14	15	16	17	18
0001	FLUE HOOD (COMPLETE)	289741		●																	
0002	MAGNESIUM ANODE D:21,3 L:1000 M8	291087		●																	
0004	BURNER	290642		●																	
0005	SPRING (PROBE CLAMP)	290356		●																	
0006	THERMOCOUPLE	200159		●																	
0008	PUSH BUTTON (PIEZO)	200254		●																	
0009	CABLE (PIEZO IGNITION)	200252		●																	
0011	GAS VALVE	230274		●																	
0012	UNION (1/2 M/F ELBOW)	230749		●																	
0013	FLUE BAFFLE	65104509		●																	
0014	ELECTRODE (IGNITION)	200253		●																	
0015	GAS GROUP	216753		●																	
0016	THERMOSTAT (SAFETY)	243049		●																	
0018	BURNER JET	289021	LG	●																	
	BURNER JET	289007	NG	●																	
0019	THERMAL PROTECTION	243070		●																	
0021	PILOT BURNER + NG JET	290628	NG	●																	
0022	PIPE (GAS VALVE/PILOT BURNER)	122211		●																	
0023	BURNER JET (PILOT)	290727	LG	●																	
	BURNER JET (PILOT)	290726	NG	●																	
0025	SAFETY VALVE (G1 F-F -8BAR)	230202		●																	
0026	IGNITION ELECTRODE FIXING FITTING	230712		●																	
0031	ANODE PLUG	230514		●																	
0034	SIDE COVER	289257		●																	
0036	SHEATH	65101259		●																	
0037	WATER TRAY	290919		●																	
0039	SPRING (FLUE BAFFLE)	290811		●																	
0042	UNION (GAS INLET)	230747		●																	
0051	SAFETY BLOCK	243005		●																	
0061	FOOT	65100162		●																	
0063	FRONT COVER	289256		●																	
0090	O-RING GASKET	290147		●																	
0093	RECIRCULATION PIPE	125674		●																	
0094	INLET PIPE	125673		●																	
0095	3/4 F PLUG	230526		●																	
0096	OUTLET PIPE	122055		●																	
0097	BAFFLE PLATE	335518		●																	

