

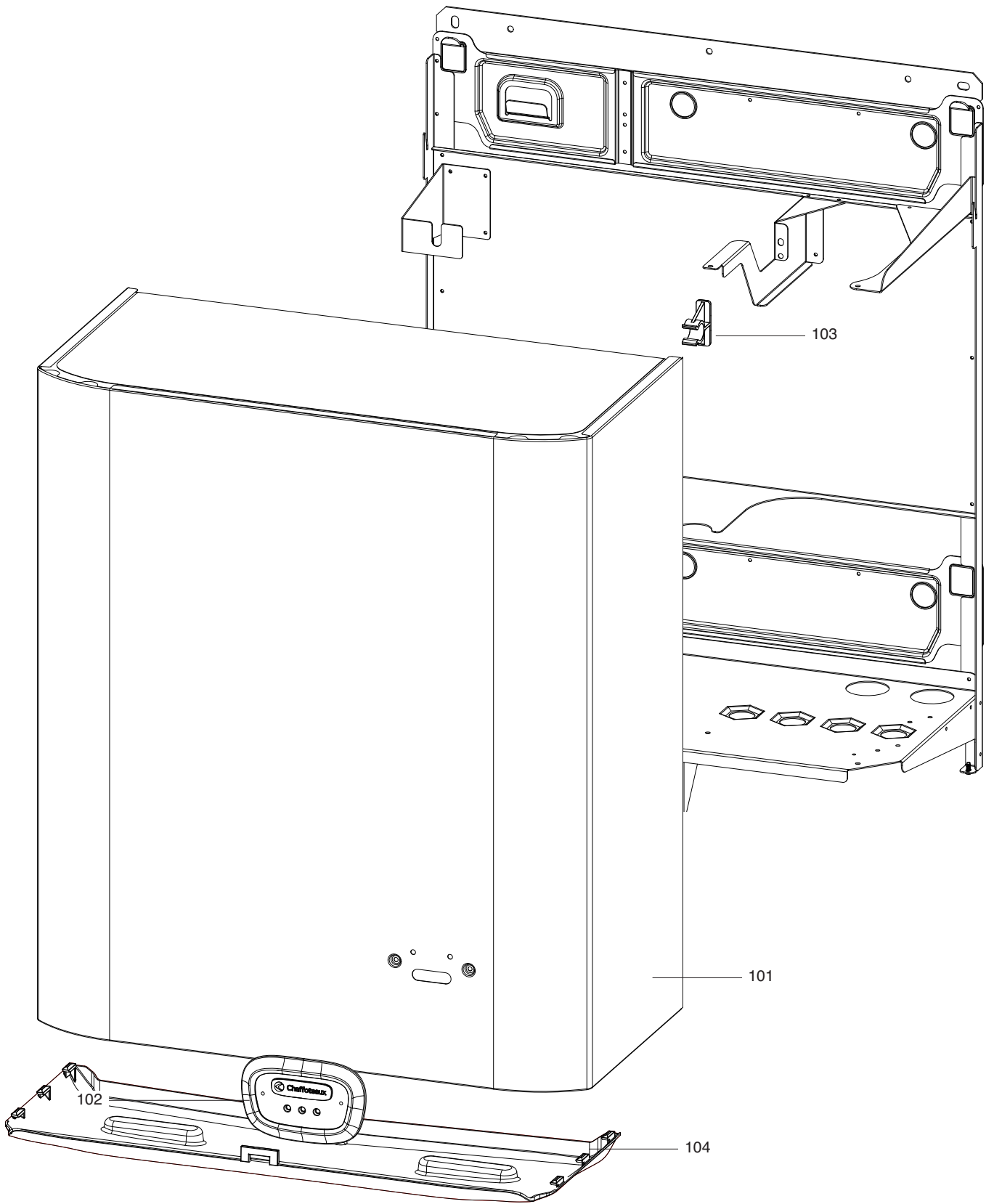
SPARE PARTS EXPLODED VIEW HEAT PUMPS

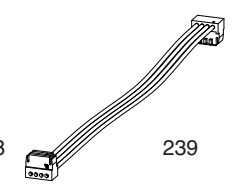
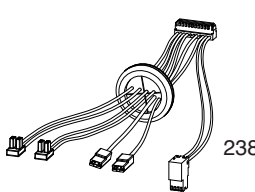
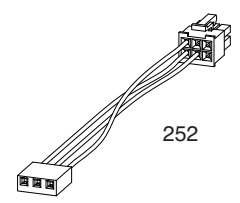
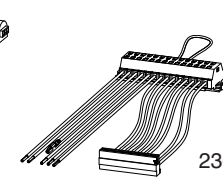
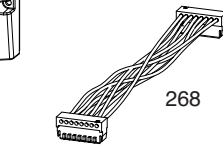
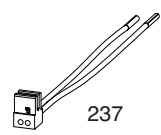
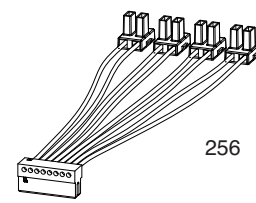
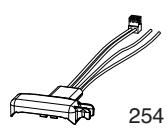
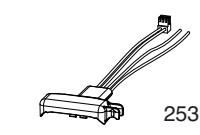
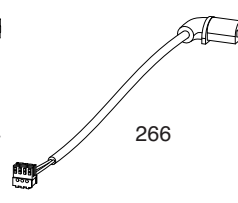
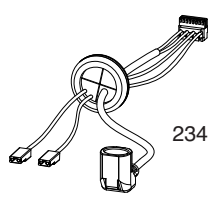
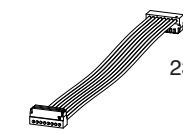
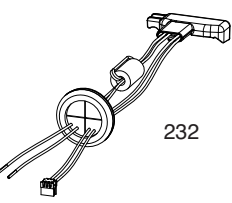
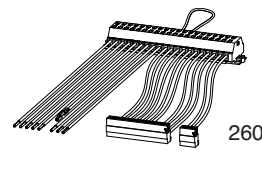
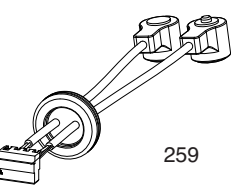
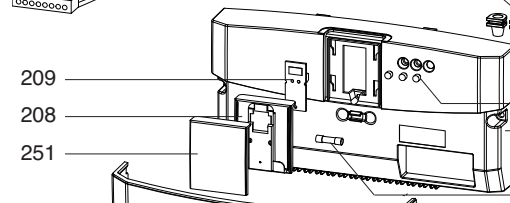
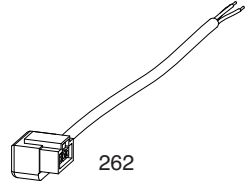
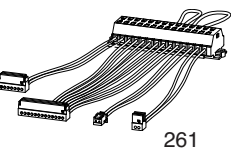
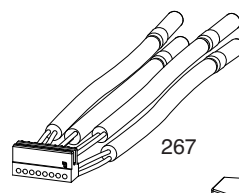
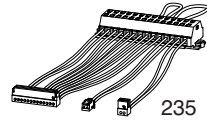
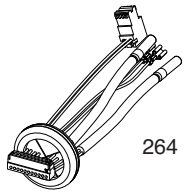
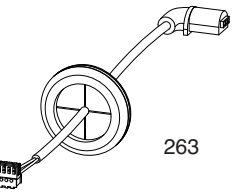
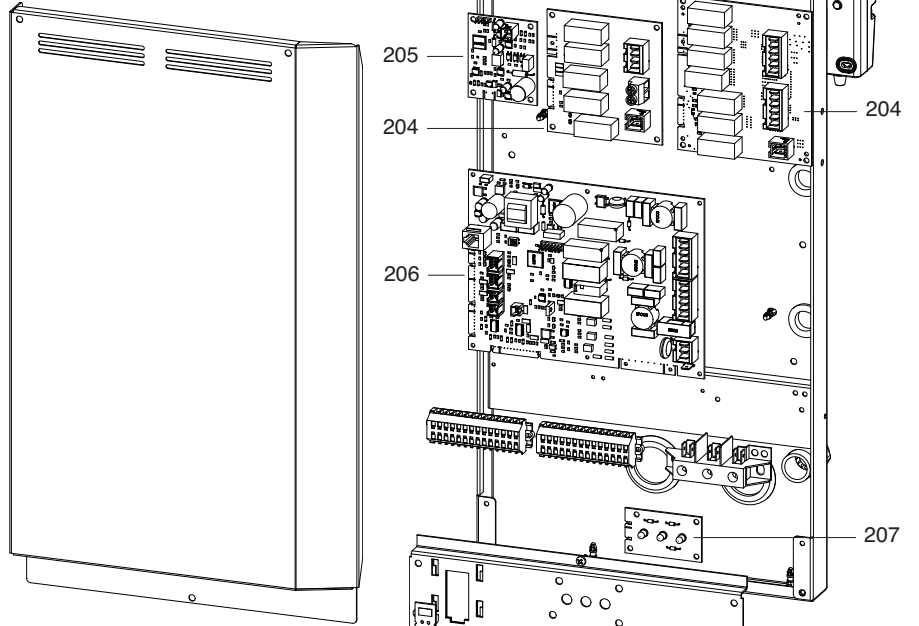
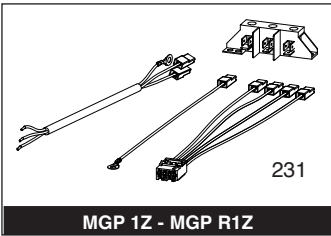
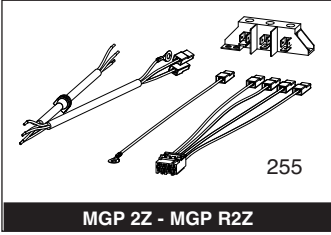
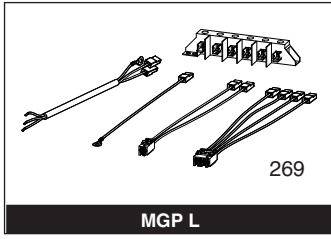
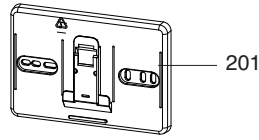
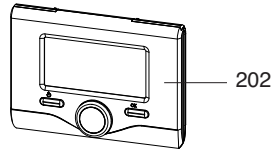
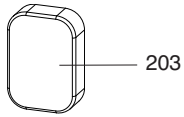
Model

ARIANEXT MGP

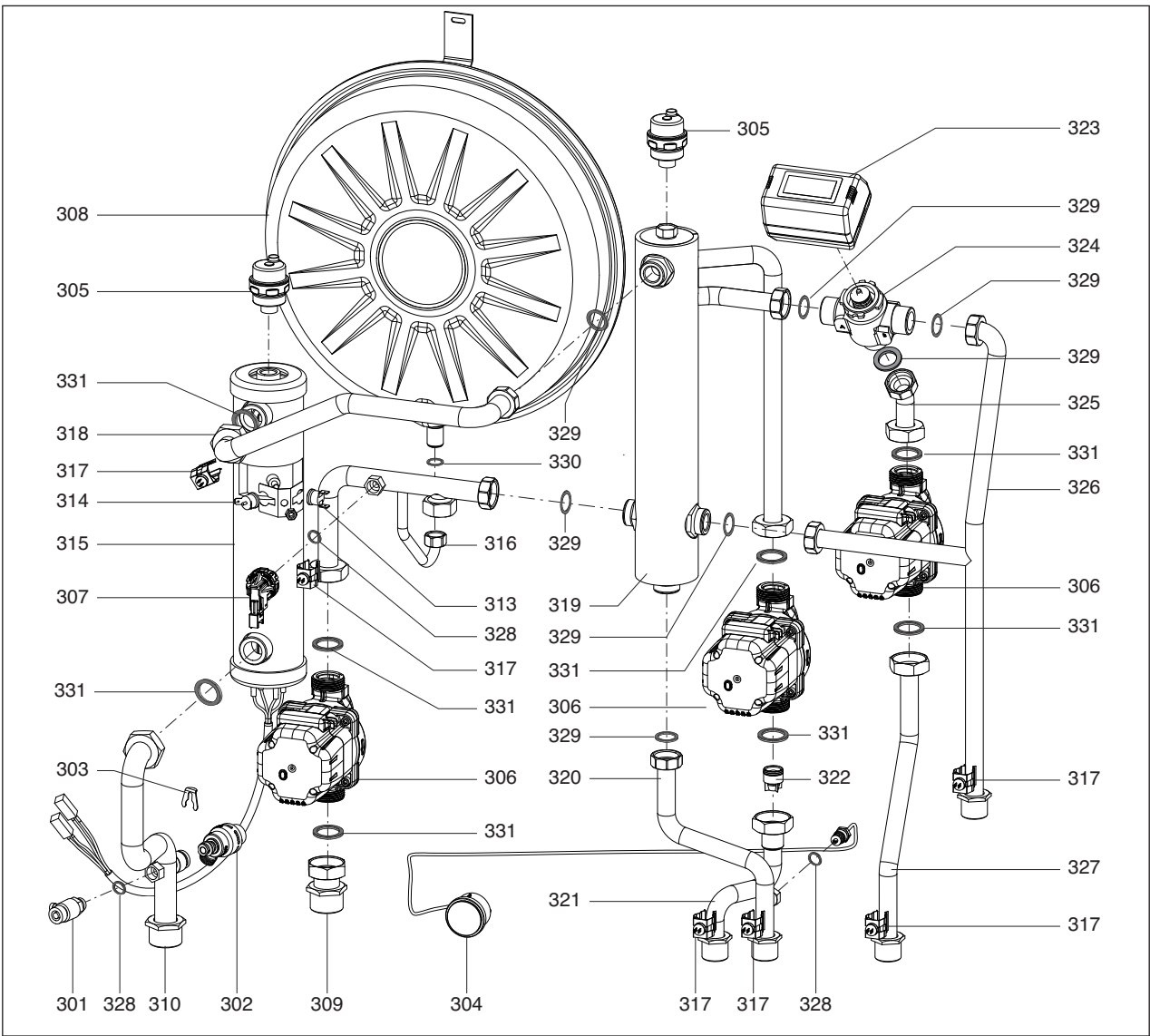
R8216988-04 - 17/02/2016

1	3318598	ARIANEXT MGP 1Z	10-2013	-
2	3318600	ARIANEXT MGP 2Z	10-2013	-
3	3310391	ARIANEXT MGP-R 1Z	08-2015	-
4	3310392	ARIANEXT MGP-R 2Z	08-2015	-
5	3310393	ARIANEXT MGP-L	08-2015	-
Col	Reference	Model type	Begin	End

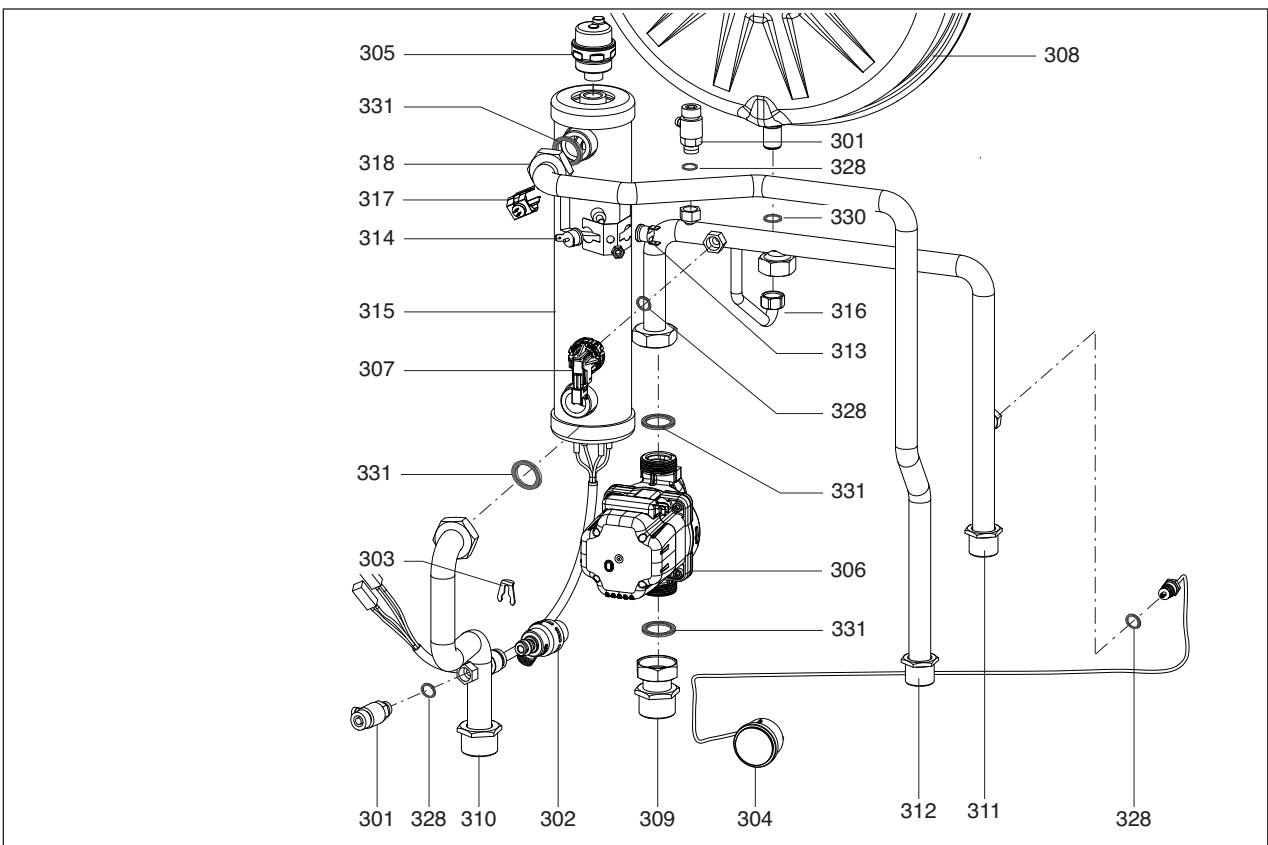




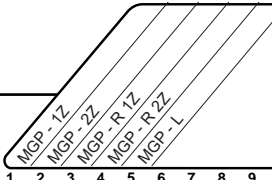

	Description	Manf. Pt. N	Type	<div style="float: right; border: 1px solid black; padding: 2px; margin-bottom: 5px;"> </div> <div style="display: flex; justify-content: space-between; font-size: small;"> MGP - IZ MGP - ZL MGP - R IZ MGP - R ZL MGP - L </div>																		From	to
				1	2	3	4	5	6	7	8	9	10	11	12	13	14	15	16	17	18		
0200	ELECTRICAL BOX																						
0201	WALL PLATE	65112824		•	•	•	•	•															
0202	SYSTEM INTERFACE	65112083-03		•	•	•	•	•															
0203	EXTERNAL SENSOR WIRED GAL EVO	65112215		•	•	•	•	•															
0204	P.C.B. (BACKUP INTERFACE 3P)	65114946							•														
	P.C.B. (BACKUP INTERFACE)	65113481		•	•	•	•																
0205	PC.B. (EBUS2-RS485)	65113479		•	•	•	•																
0206	P.C.B. (ENERGY MANAGER HEA+COOL)	65114948		•	•	•	•	•															
	P.C.B. (ENERGY MANAGER)	65115247		•	•																		
0207	PC.B. (LED)	65113482		•	•	•	•	•															
0208	SUPPORT FOR CONTROL BOX	65112146		•	•	•	•	•															
0209	P.C.B. CONNECTOR	65112042		•	•	•	•	•															
0210	COVER	65112145		•	•	•	•	•															
0231	WIRING (MAIN SUPPLY)	65113483		•	•																		
0232	WIRING (MAIN PUMP)	65113485		•	•																		
0233	WIRING (ENERGY MANAGER-BACKUP INTER)	65113486		•	•	•	•	•															
0234	WIRING (SAFETY THERMOSTATS)	65113487		•	•																		
0235	WIRING (LOW VOLTAGE)	65113488		•	•																		
0236	WIRING (HIGH VOLTAGE)	65113489		•	•																		
0237	WIRING (USER INTERFACE)	65113491		•	•	•	•	•															
0238	WIRING (LOW VOLTAGE INTERNAL PROBES)	65113492		•	•																		
0239	WIRING (LED P.C.B.)	65113493		•	•	•	•	•															
0244	CONTROL BOARD (ZONES-EVO)	65112103-01		•																			
	P.C.B. (ZONE MANAGER EVO 2)	65114947						•															
0245	CABLE HOLDER	65112123		•																			
0246	BLIND GROMMET	569720		•		•																	
0247	CONTROL PANEL COVER (UPPER)	65112120		•		•																	
0248	FUSE 5X20 RIT. 2 A 250V	65112137		•		•																	
0249	L.E.D.	998570		•		•																	
0250	CONTROL PANEL COVER (LOWER)	65112121		•		•																	
0251	INSERT (UPPER) CASE	65112122		•		•																	
0252	CABLE (3-WAY VALVE - ZONE 2)	65112125		•																			
	WIRING MIXING VALVE COOL WH	65114993						•															
0253	CABLE (PUMP-ZONE 1)	65112105		•																			
0254	CABLE (PUMP-ZONE 2)	65112109		•																			
0255	WIRING (ZONE SUPPLY)	65113484		•				•															
0256	WIRING (ZONE PROBES)	65113490		•																			
0257	2-WAY-CONNECTOR LUMB. 3611 02 F21 K40 P	65112496						•															
0258	3-WAY-CONNECTOR LUMB. 3611	65113904						•															
0259	WIRING THERMOSTATS PACMAN2	65114988						•	•														
0260	WIRING HIV TERMINAL COOL	65114989						•	•	•													
0261	WIRING LOV TERMINAL COOL	65114990						•	•	•													
0262	WIRING YONOS PARA WHH	65114994						•	•	•													
0263	WIRING PWM BIG SIZE	65114996						•	•	•													
0264	WIRING INTERNAL PROBES WHH PACMAN2	65115003						•	•	•													
0265	WIRING	65114985							•														
0266	WIRING PWM YONOS PARA WHH ZONE 2	65114999							•														
	WIRING PWM YONOS WHH ZONE 1	65114998							•														
0267	WIRING ZONE PROBES WHH	65115005							•														
0268	WIRING EM-BK PACMAN BIG	65114991								•													
0269	WIRING SUPPLY TRIPHASE	65115006								•													

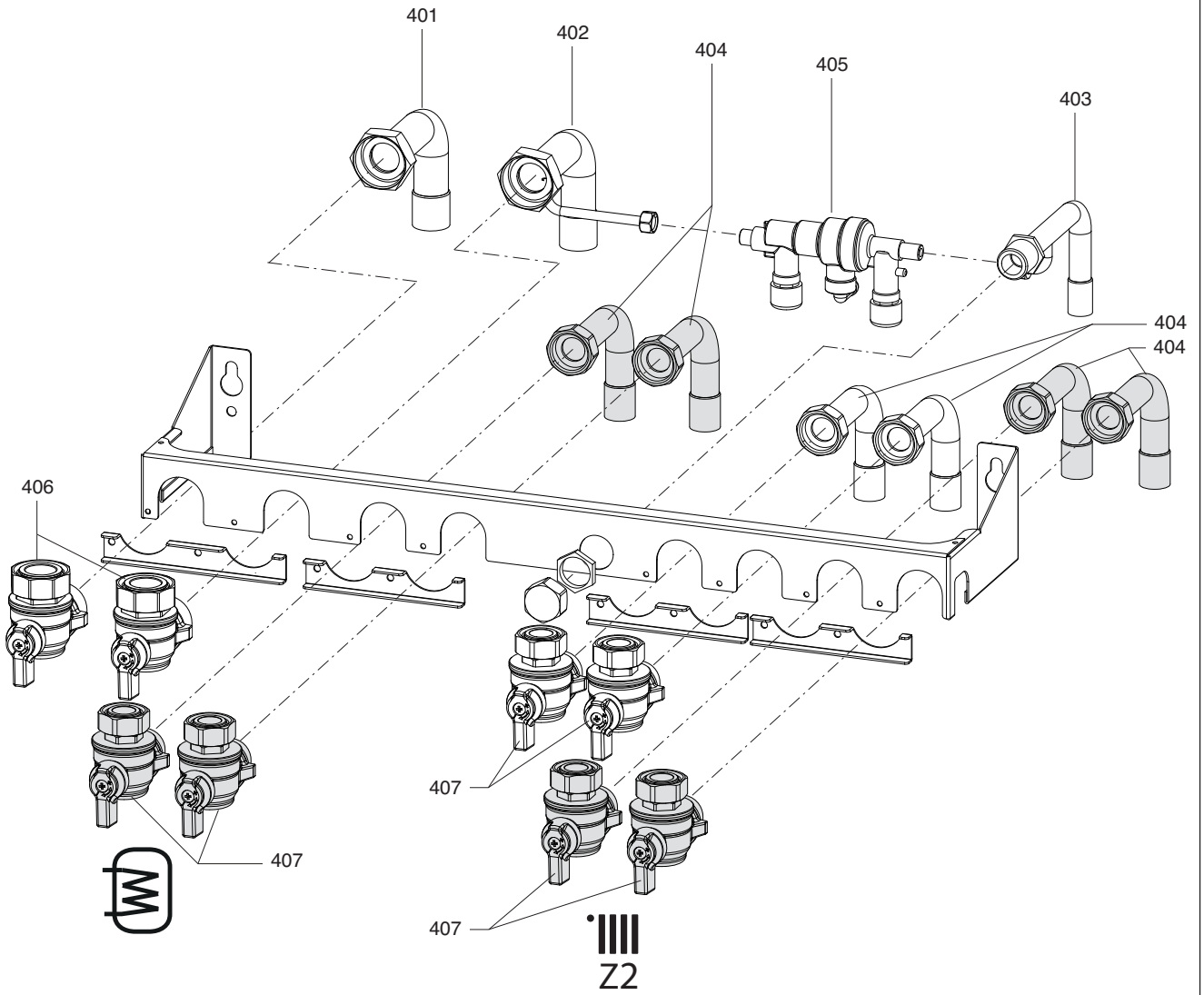


MGP 2Z



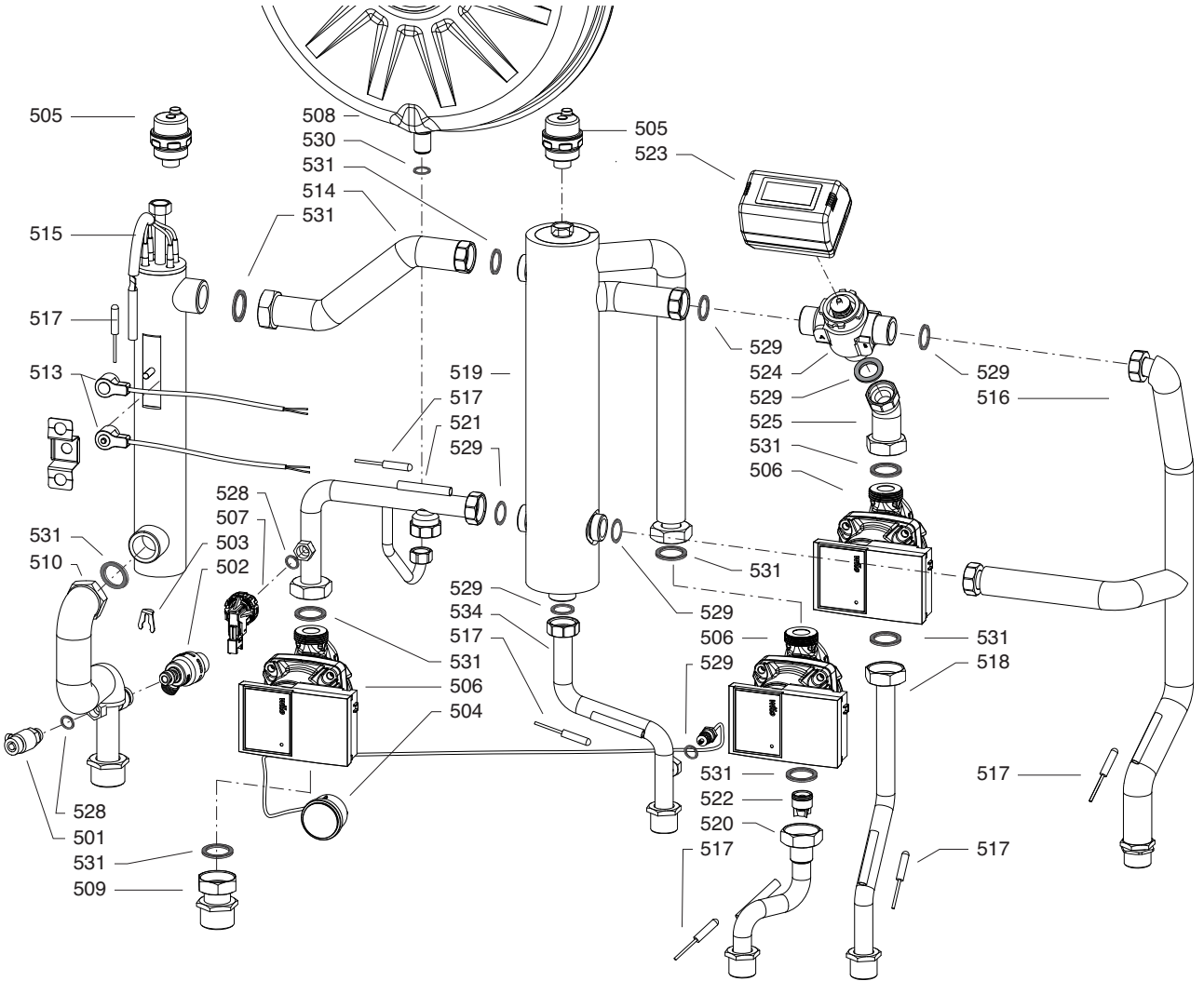
MGP 1Z

☉⇒	Description	Manf. Pt. N	Type																					
				1	2	3	4	5	6	7	8	9	10	11	12	13	14	15	16	17	18	From	to	
0300	WATER SECTION ASSY																							
0301	DRAIN VALVE	573727		●	●																			
0302	PRESSURE RELIEF VALVE (3 BAR)	61312668		●	●																			
0303	CLIP D:10	65104260		●	●																			
0304	PRESSURE GAUGE	65107393		●	●																			
0305	AUTO AIR VENT WITH O-RING	65110888		●	●																			
0306	PUMP	65112107		●	●																			
0307	WATER PRESSURE SWITCH	65113494		●	●																			
0308	EXPANSION VESSEL	65113495		●	●																			
0309	HYDRAULIC PIPE + FITTING 1"	65113500		●	●																			
0310	OUTLET PIPE	65113503		●	●																			
0311	RETURN PIPE	65113506		●																				
0312	DELIVERY PIPE	65113507		●																				
0313	THERMOSTAT 80° (SELF-RESET)	65113509		●	●																			
0314	THERMOSTAT 95° (MANUAL RESET)	65113510		●	●																			
0315	HEATING ELEMENT 2+2KW 230V	65113511		●	●																			
0316	INLET PIPE	65113501		●																				
0317	TEMPERATURE PROBE (NTC)	65112082		●																				
0318	PIPE (SEPARATOR INLET)	65113502		●																				
0319	HYDRAULIC SEPARATOR (2 ZONES)	65113496		●																				
0320	RETURN PIPE	65113504		●																				
0321	DELIVERY PIPE	65113505		●																				
0322	ONE-WAY VALVE	65113508		●																				
0323	MOTOR (3-WAY VALVE)	65103417		●																				
0324	VALVE	65103416		●																				
0325	DELIVERY PIPE (MIX VALVE)	65113499		●																				
0326	RETURN PIPE	65113497		●																				
0327	DELIVERY PIPE	65113498		●																				
0328	GASKET 1/4	569390		●	●																			
0329	GASKET 3/4"	573520		●	●																			
0330	GASKET 3/8"	573521		●	●																			
0331	GASKET 1	569387		●	●																			

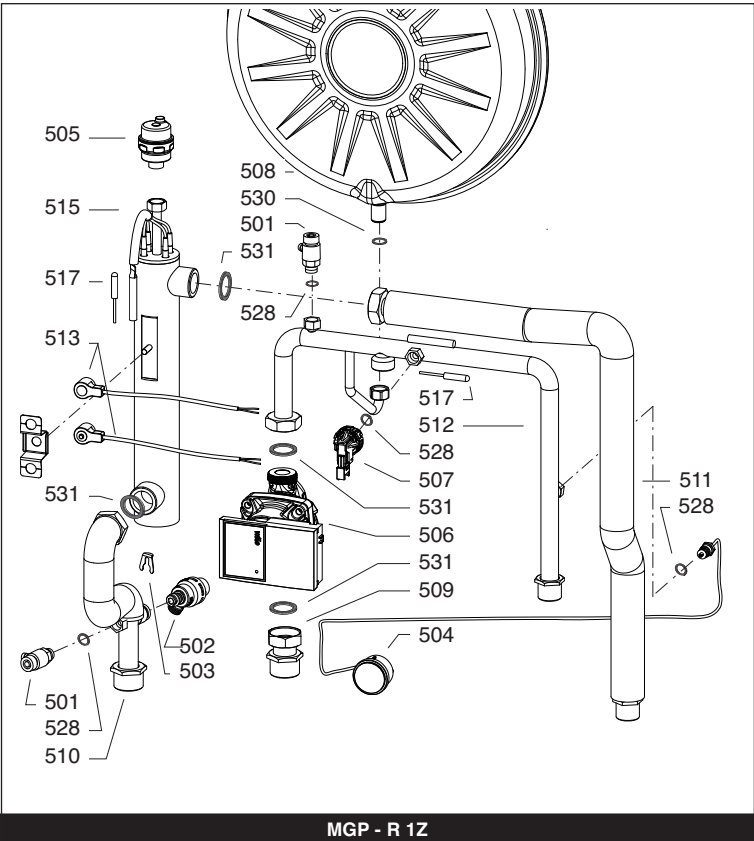


MGP - 1Z / MGP - 2Z

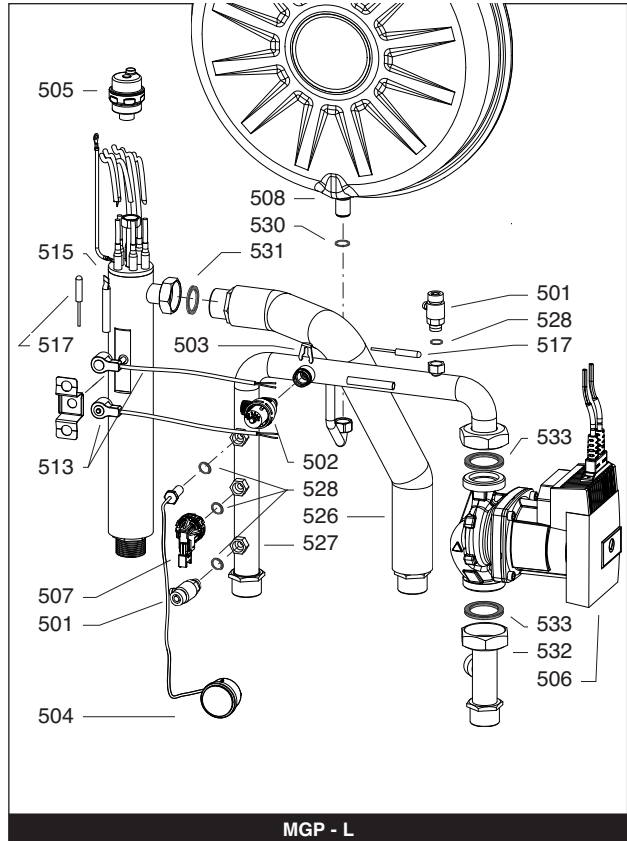
⊖⇒	Description	Manf. Pt. N	Type	<div style="display: flex; justify-content: space-around; border-bottom: 1px solid black;"> MGP - LZ MGP - ZL MGP - R LZ MGP - R ZL </div>														<div style="display: flex; align-items: center;"> 31 </div>					
				1	2	3	4	5	6	7	8	9	10	11	12	13	14	15	16	17	18	From	to
0400	COCKS & COPPER PLATE																						
0401	PIPE D.22 (KIT BARRETTE)	65113512		●	●																		
0402	PIPE D.22 DISCONNECTOR (KIT BARRETTE)	65113513		●	●																		
0403	PIPE D.14 (KIT BARRETTE)	65113514		●	●																		
0404	PIPE D.18 (KIT BARRETTE)	65113515		●	●																		
0405	DISCONNECTOR	60000263		●	●																		
0406	TAP (1")	65113576		●	●																		
0407	TAP (3/4)	65113577		●	●																		



MGP - R 2Z



MGP - R 1Z

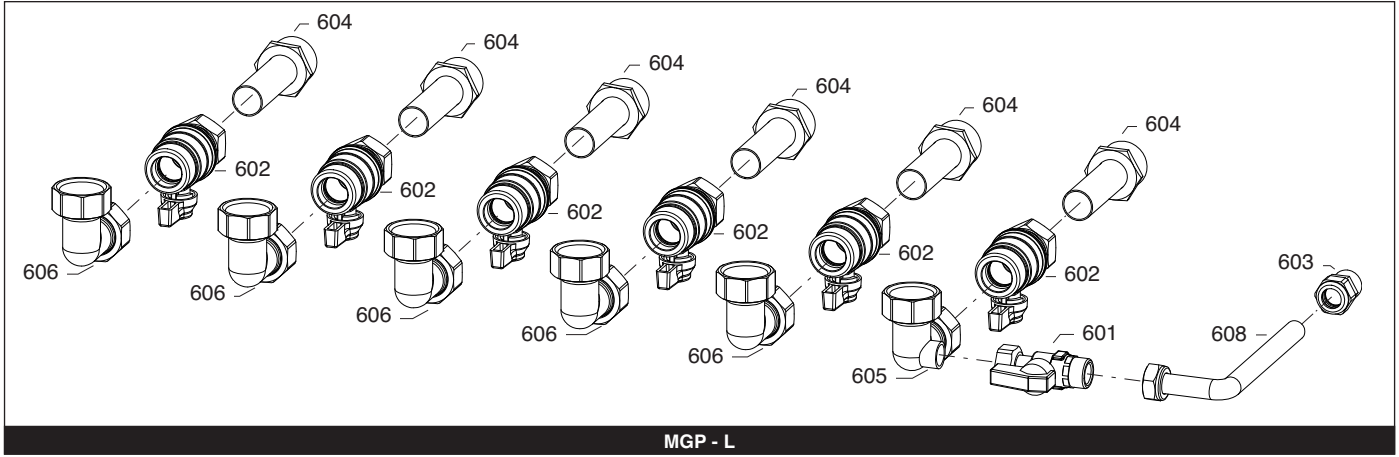


MGP - L

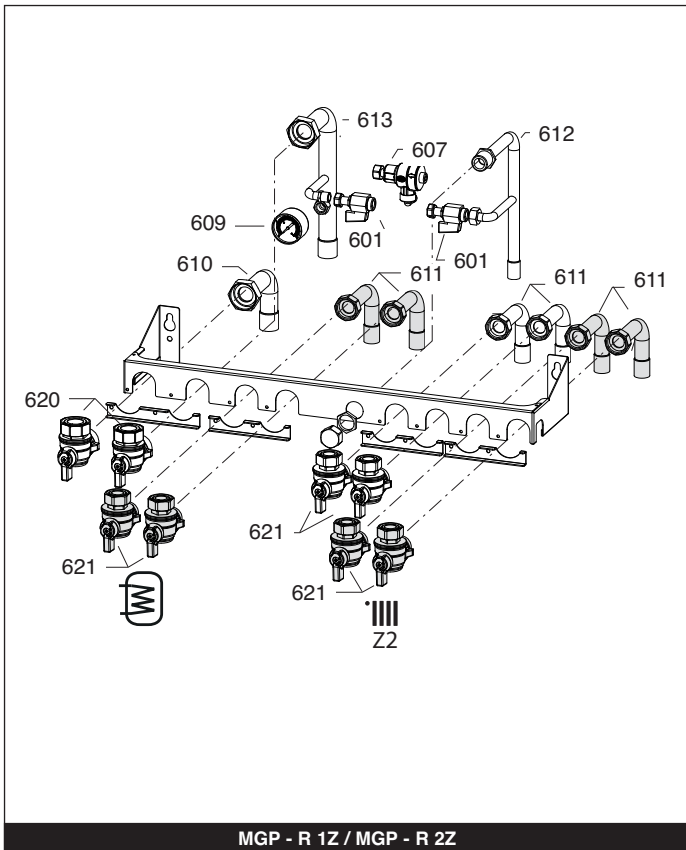
☉⇒	Description	Manf. Pt. N	Type	MGP					18	From	to								
				1Z	2Z	R1Z	R2Z	L											
0500	WATER SECTION ASSY																		
0501	DRAIN VALVE	573727				•	•	•											
0502	PRESSURE RELIEF VALVE (3 BAR)	61312668				•	•	•											
0503	CLIP D:10	65104260				•	•	•											
0504	PRESSURE GAUGE	65102220				•	•	•											
0505	AUTO AIR VENT WITH O-RING	65110888				•	•	•											
0506	PUMP STRATOS PARA 25/1-11	65114951						•											
	PUMP YONOS PARA 7.0	65114952					•	•											
0507	WATER PRESSURE SWITCH	65113494				•	•	•											
0508	EXPANSION VESSEL	65113495				•	•	•											
0509	HYDRAULIC PIPE + FITTING 1"	65113500				•	•												
0510	PIPE HP OUTLET MGP 2Z PH2	65114957					•	•											
0511	PIPE COPPER PIPE HP OUTLET	65114972					•												
0512	PIPE COPPER PIPE HP 1Z RETURN	65114973				•													
0513	WIRING THERMOSTATS PACMAN2	65114988				•	•	•											
0514	PIPE SEPARATOR INLET MGP 2Z PH2	65114958					•												
0515	HEATING ELEMENT 2+2 kW 230 V	65114945					•	•											
	HEATING ELEMENT 3x2 kW 230 V	65114944						•											
0516	PIPE RETURN ZONE 2 MGP PH2	65114959						•											
0517	HEAT SENSOR CYLINDER (L=1300)	65115008				•	•												
0518	PIPE SUPPLY 2Z MGP PH2	65114960					•												
0519	HYDRAULIC SEPARATOR (2 ZONES)	65114949					•												
0520	PIPE SUPPLY Z1 MGP PH2	65114962					•												
0521	PIPE HP INLET MGP 2Z PH2	65114963					•												
0522	ONE-WAY VALVE	65113508					•												
0523	MOTOR (3-WAY VALVE)	65103417					•												
0524	VALVE	65103416					•												
0525	PIPE MIX VALVE TO PUMP Z2 MGP PH2	65114964					•												
0526	PIPE HEATER SUPPLY	65114954						•											
0527	PIPE HP RETURN	65114955						•											
0528	GASKET 1/4	569390					•	•	•										
0529	GASKET 3/4"	573520						•											
0530	GASKET 3/8"	573521					•	•	•										
0531	GASKET 1	569387					•	•	•										
0532	PIPE HP RETURN TO PUMP	65114956						•											
0533	GASKET 1"1/2 44x32	12013460						•											

ARIANEXT MGP

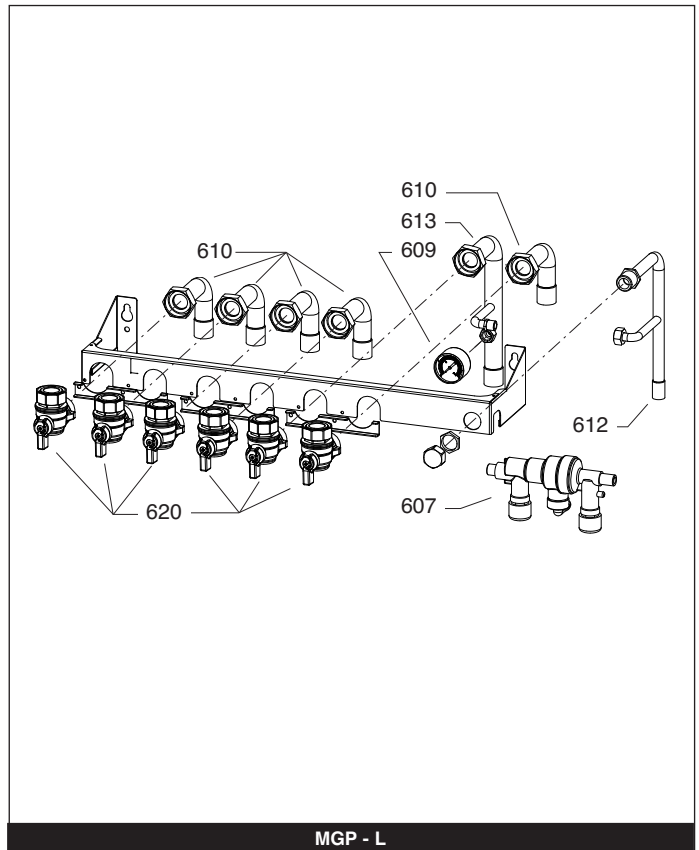
Heat pumps



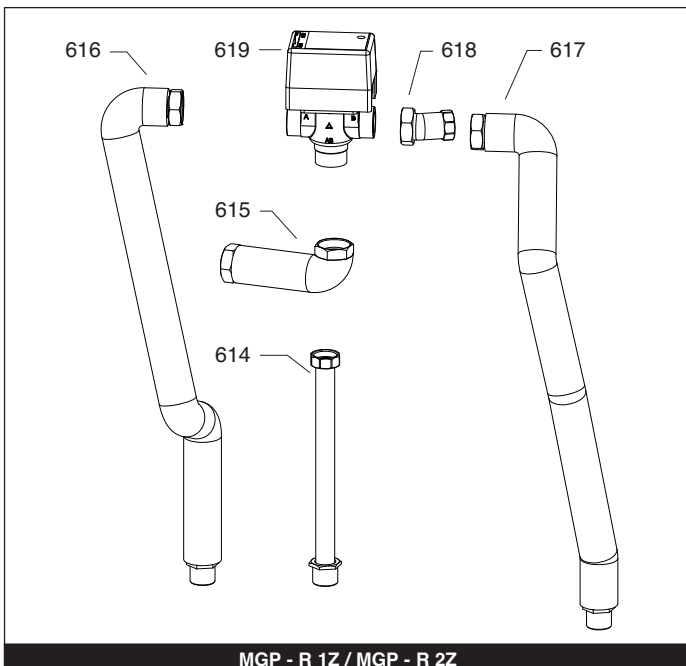
MGP - L



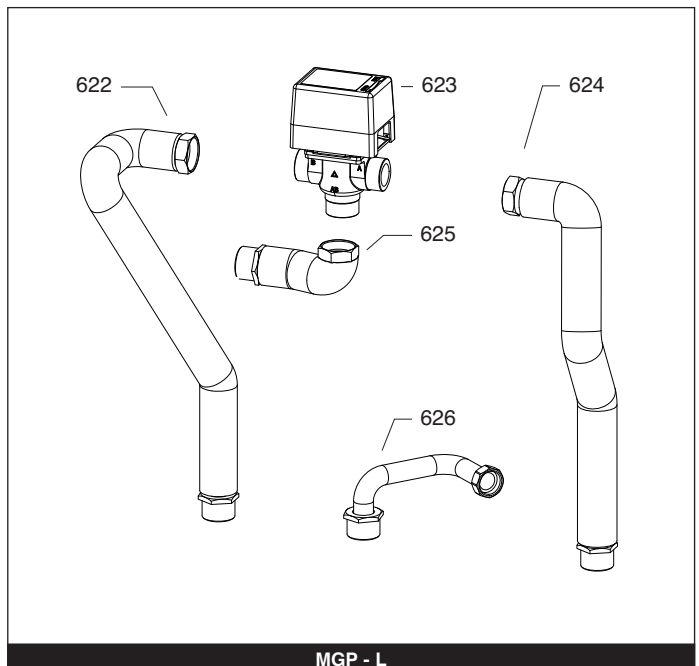
MGP - R 1Z / MGP - R 2Z



MGP - L



MGP - R 1Z / MGP - R 2Z



MGP - L

	Description	Manf. Pt. N	Type																			From	to
				1	2	3	4	5	6	7	8	9	10	11	12	13	14	15	16	17	18		
0600	COCKS & COPPER PLATE																						
0601	TAP (1/2")	65115027					•	•	•														
0602	TAP (1")	65115026							•														
0603	UNION 1/2"	60000878							•														
0604	PIPE VALVE KIT BARRETTE COOLING	65115037							•														
0605	HYDR FIT 90° V3W 1" F-F + UNION 1/2"	65115064							•														
0606	HYDR FIT 90° 1" F-F KIT BARRETTE WHH BIG	65115063							•														
0607	DISCONNECTOR	60000263							•														
	DISCONNECTOR	60000881					•	•															
0608	PIPE D.14 KIT BARRETTE COOLING	65115036							•	•													
0609	HYDROMETER D 40 G1/4"	65113947					•	•	•														
0610	PIPE D.22 (KIT BARRETTE)	65113512					•	•	•														
0611	PIPE D.18 (KIT BARRETTE)	65113515					•	•	•														
0612	PIPE D.14 DISCONNECTOR (KIT BARRETTE)	65115061					•	•															
	PIPE D.14 DISCONNECTOR (KIT BARRETTE)	65115729							•														
0613	PIPE D.22 DISCONNECTOR (KIT BARRETTE)	65115060					•	•															
	PIPE D.22 DISCONNECTOR (KIT BARRETTE)	65115728							•														
0614	PIPE DHWK RETURN	65115028					•	•															
0615	PIPE DIV VALVE INLET PACMAN2	65115032					•	•															
0616	PIPE DHWK_WATER PIPE 1Z SUPPLY	65115034					•	•															
0617	PIPE DHWK SUPPLY	65115062					•	•															
0618	PIPE DIV VALVE TO SEPARATOR PACMA	65115033					•	•															
0619	MIX VALVE	65113929					•	•															
0620	TAP (1")	65113576					•	•	•														
0621	TAP (3/4)	65113577					•	•															
0622	PIPE DHW SUPPLY	65115030							•														
0623	MOTOR (3-WAY VALVE)	65114950							•														
0624	PIPE DELIVER SANITARY	65115029							•														
0625	PIPE HEATER MIXING VALVE	65115035							•														
0626	PIPE DHW SANITARY RETURN	65115031							•														

LIST OF THE ABBREVIATIONS

HW	: Hot water.
CW	: Cold water.
C	: Ceramic resistance (normal heating).
Ca	: Ceramic resistance (accelerated heating)
TP	: Immersion heater.
1F	: With fittings.
2F	: Without fittings.
3F	: With fittings and another outlet connection.
AMI	: With mixing valve.
SMI	: Without mixing valve.
PUISS	: Power of th appliance.
PN	: Appliance with normal pression.
LP	: Appliance with low pression.
PV	: Appliance with variable power.
PF	: Appliance with fixed power.

The indications mentioned on the prices, commercial or technical literature and the scheme are written for your guidance and are available at a given time. The CONSTRUCTOR retains the power to modify the presentation, the form, the size, or the conception or the material of the products.
