

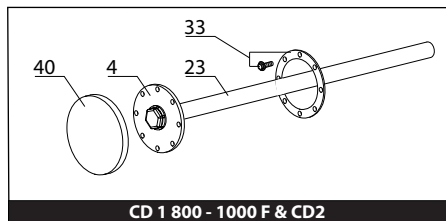
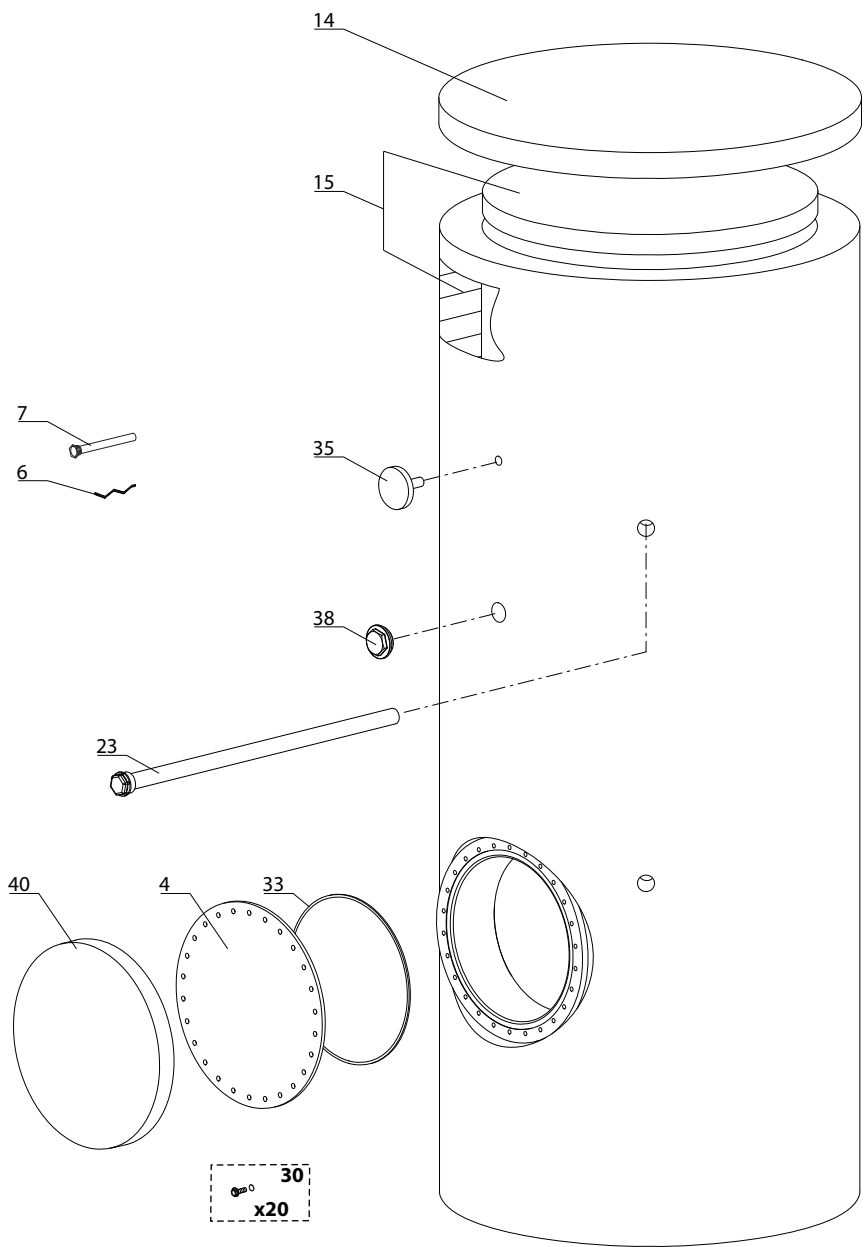
SPARE PARTS EXPLODED VIEW BOILERS

Model

ELIOMAX CD / MAXIS CD / CDZ / CD1 / CD2

R8203371-05 - 29/06/2015

1	3507113	BALLON CDZ 800	04-2012	-
1	3060464	CYL CDZ 800 M1 - EU		
2	3507114	BALLON CDZ 1000	08-2012	-
2	3060465	CYL CDZ 1000 M1 - EU		
3	3507135	CUVE CDZ 1500	06-2012	-
3	3060494	CDZ 1500 TANK - EU		
4	3507136	CUVE CDZ 2000	06-2012	-
4	3060495	CDZ 2000 TANK - EU		
5	3507137	CUVE CDZ 2500	06-2012	-
5	3060496	CDZ 2500 TANK - EU		
6	3507138	CUVE CDZ 3000	06-2012	-
6	3060497	CDZ 3000 TANK - EU		
7	3507115	BALLON CD1 800	06-2012	-
7	3060475	CYL CD1 800 M1 - EU		
8	3507117	CYL CD1 800 F	06-2012	-
8	3060485	CYL CD1 800F - EU		
9	3507116	BALLON CD1 1000	06-2012	-
9	3060476	CYL CD1 1000 M1 - EU		
10	3507118	CYL CD1 1000 F	06-2012	-
10	3060486	CYL CD1 1000F - EU		
11	3507139	CUVE CD1 1500	06-2012	-
11	3060500	CD1 1500 TANK - EU		
12	3507140	CUVE CD1 2000	06-2012	-
12	3060501	CD1 2000 TANK - EU		
13	3507141	CUVE CD1 2500	06-2012	-
13	3060502	CD1 2500 TANK - EU		
14	3507119	BALLON CD2 800	06-2012	-
14	3060487	CYL CD2 800F - EU		
15	3507120	BALLON CD2 1000	06-2012	-
15	3060488	CYL CD2 1000F - EU		
16	3507142	CUVE CD2 1500	06-2012	-
16	3060503	CD2 1500F TANK - EU		
17	3507143	CUVE CD2 2000	06-2012	-
17	3060504	CD2 2000F TANK - EU		
18	3507144	CUVE CD2 2500	06-2012	-
18	3060505	CD2 2500F TANK - EU		
Col	Reference	Model type	Begin	End



5001
 Anode active
 Active anode
 Anodo attiva
 Anodo activa
 Anode aktiv

CD 1 800 - 1000 F & CD2

☉⇒	Description	Manf. Pt. N	Type	<div style="display: flex; justify-content: space-between; font-size: small;"> 800 L CD21000 L CD21500 L CD22000 L CD22500 L CD23000 L CD2800 L CD11000 L CD1 F1000 L CD11500 L CD1 F2000 L CD12500 L CD1800 L CD11000 L CD21500 L CD22000 L CD22500 L CD2 </div>																		From	to
				1	2	3	4	5	6	7	8	9	10	11	12	13	14	15	16	17	18		
0004	MATING FLANGE D.170 WITH HOLE D.10,5	60001995																					
	MATING FLANGE D.480	60001772		•	•	•	•	•	•	•	•	•	•	•	•	•	•	•	•				
0006	SPRING	60001781		•	•	•	•	•	•	•	•	•	•	•	•	•	•	•	•				
0007	DUCT 1/2» L:120	60001780		•	•	•	•	•	•	•	•	•	•	•	•	•	•	•	•				
0014	UPPER COVER PLATE - SOFT	60001767		•	•																		
	UPPER COVER PLATE - SOFT	60001768				•																	
	UPPER COVER PLATE - SOFT	60001769					•																
	UPPER COVER PLATE - SOFT	60001770						•	•														
	UPPER COVER PLATE - RIGID	60001962								•		•				•	•						
	UPPER COVER PLATE - RIGID	60002405											•										
	UPPER COVER PLATE - RIGID	60002407																					
	UPPER COVER PLATE - RIGIDE	60002406																					
0015	OUTER COVERING	60001747		•																			
	OUTER COVERING	60001749			•																		
	OUTER COVERING	60001750				•																	
	OUTER COVERING	60001752					•																
	OUTER COVERING	60001753						•															
	OUTER COVERING	60001754							•														
	OUTER COVERING	60001755								•													
	OUTER COVERING	60001756									•												
	OUTER COVERING	60001757										•											
	OUTER COVERING	60001758											•										
	OUTER COVERING	60001759												•									
	OUTER COVERING	60001760													•								
	OUTER COVERING	60001762														•							
	OUTER COVERING	60001763															•						
	OUTER COVERING	60001764																•					
	OUTER COVERING	60001766																					
	OUTER COVERING	60001997																					
	OUTER COVERING	60001998																					
0023	ANODE D:33 L:900 + PLUG 1»1/4	60001776		•	•	•	•	•	•	•	•	•	•	•	•	•	•	•					
0030	SCREW M12x35 KIT	60001775		•	•	•	•	•	•	•	•	•	•	•	•	•	•	•					
0033	GASKET D.168 + SCREW SET	60001996																					
	O-RING D: 418	60001774		•	•	•	•	•	•	•	•	•	•	•	•	•	•	•					
0035	THERMOMETER 120°C	60001777		•	•	•	•	•	•	•	•	•	•	•	•	•	•	•					
0038	PLUG 1»1/2	60001778																					
0040	COVER D: 185	60001994																					
	COVER D: 500	60001771		•	•	•	•	•	•	•	•	•	•	•	•	•	•	•					
5000	ACCESSORIES																						
5001	ACTIVE ANODE L	60002152																					
	ACTIVE ANODE M	60002151																					
	ACTIVE ANODE S	60002150		•	•																		
	ACTIVE ANODE XL	60002153																					

LIST OF THE ABBREVIATIONS

HW	: Hot water.
CW	: Cold water.
C	: Ceramic resistance (normal heating).
Ca	: Ceramic resistance (accelerated heating)
TP	: Immersion heater.
1F	: With fittings.
2F	: Without fittings.
3F	: With fittings and another outlet connection.
AMI	: With mixing valve.
SMI	: Without mixing valve.
PUISS	: Power of th appliance.
PN	: Appliance with normal pression.
LP	: Appliance with low pression.
PV	: Appliance with variable power.
PF	: Appliance with fixed power.

IDENTIFICATION PLATE

SERIAL NUMBER

9 Characters : 07 91 00301 (from 01/77 to 12/92)

Month of manufacture _____ Sequential number
Year of manufacture _____

10 Characters : 95 01 065004 (from 01/93 to 06/95)

Year of manufacture _____ Sequential number
Month of manufacture _____

OU

10 Characters : 01 95 065004 (from 07/95)

Month of manufacture _____ Sequential number
Year of manufacture _____

12 Characters : 924 2 3 134 0115

Product reference _____ Sequential number
Year of manufacture _____ Manufacturing day

15 ou 16 Characters : (0)03 070 0001 893077 (from 01/97 to 01/05)

Year of manufacture _____ Product reference
Day of manufacture _____ Sequential number

OU

16 Characters : 05 070 0001 0000000 (from 02/05)

Year of manufacture _____ Product reference
Day of manufacture _____ Sequential number

17 Characters : 07 070 00315 3070107

Year of manufacture _____ Product reference
Sequential number
Manufacturing day (70)

21 Characters : 3000115 XX 08115 0000001

Product reference _____ Sequential number
Year (08) / Manufacturing day (115)

22 Characters : 3000115 XX 070416 0000001

Product reference _____ Sequential number
Year (07) / Month (04) / Manufacturing day (16)