

SPARE PARTS EXPLODED VIEW GAS-WALL CONDENSING BOILERS

Model

MIRA C GREEN

R8203186-07 - 18/06/2020

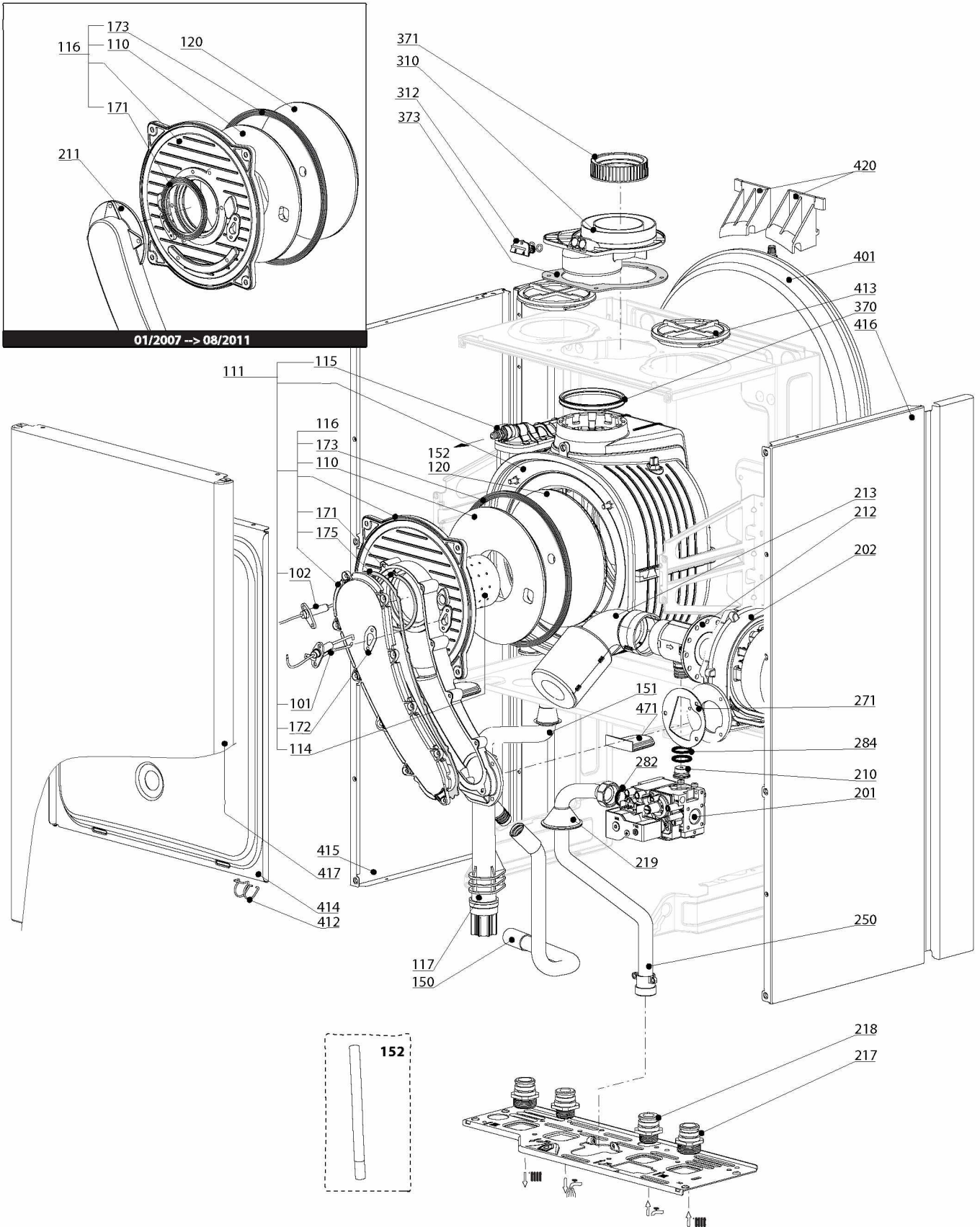
EN	FR	IT	ES	DE	NL
----	----	-----------	----	----	----

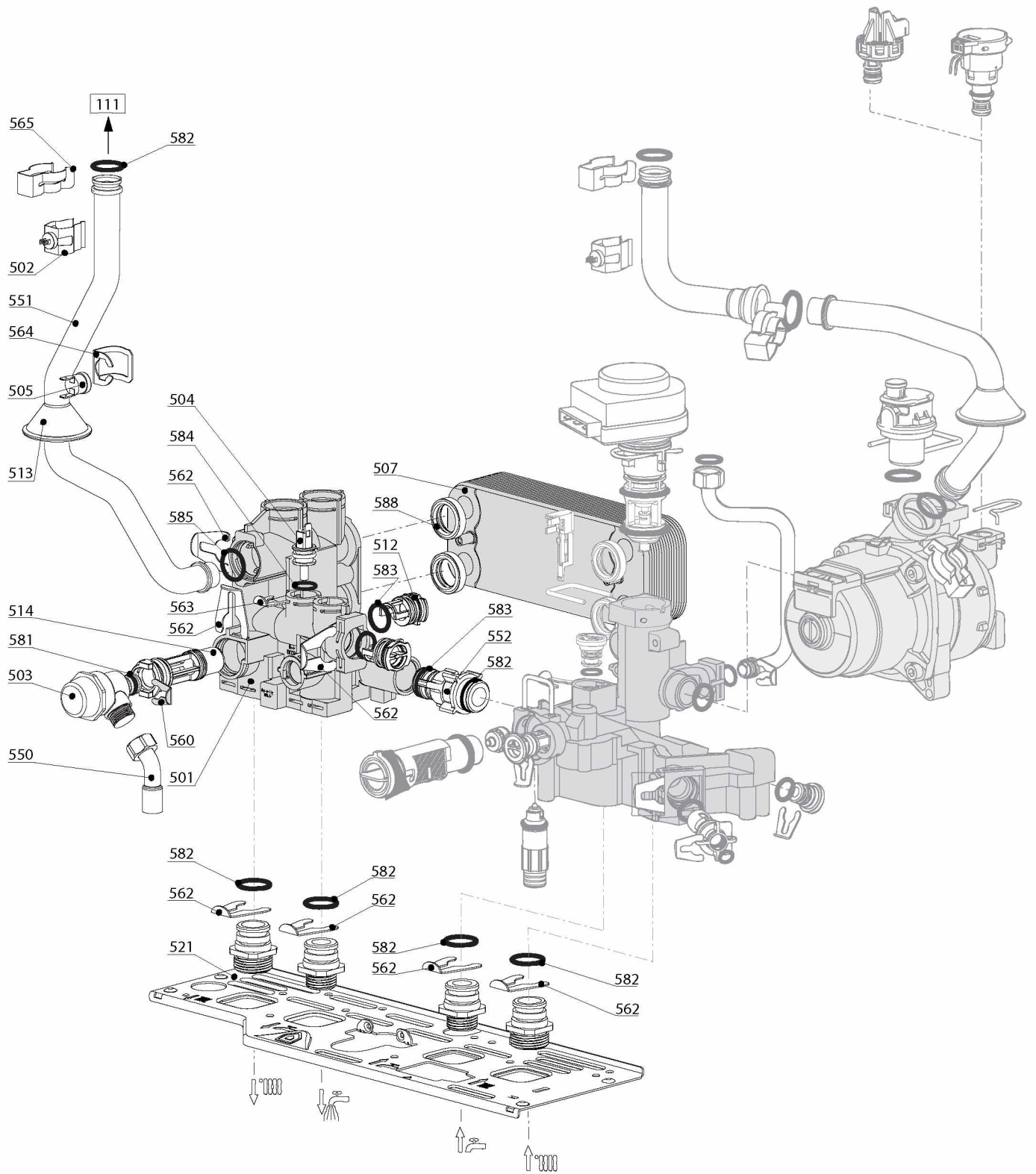
1	3650289	MIRA C GREEN 25 FF N FR	03-2008	12-2009
1	3650339	MIRA C GREEN 25FF P	10-2008	12-2009
1	3310083	MIRA C GREEN 25 FF N FR	02-2010	12-2011
1	3310121	MIRA C GREEN 25FF P	04-2010	11-2010
1	3310151	MIRA C GREEN 25 FF FR + K.E.	02-2010	12-2011
2	3650288	MIRA C GREEN 30 FF N FR	03-2008	12-2009
2	3310104	MIRA C GREEN 30 FF N FR	02-2010	12-2011
2	3310153	MIRA C GREEN 30 FF FR + K.E.	02-2010	12-2011
3	3650287	MIRA C GREEN 35 FF N FR	03-2008	12-2009
3	3310112	MIRA C GREEN 35 FF N FR	12-2009	12-2011
3	3310154	MIRA C GREEN 35 FF FR + K.E.	02-2010	12-2011
Col	Reference	Model type	Begin	End

100
200
300
400

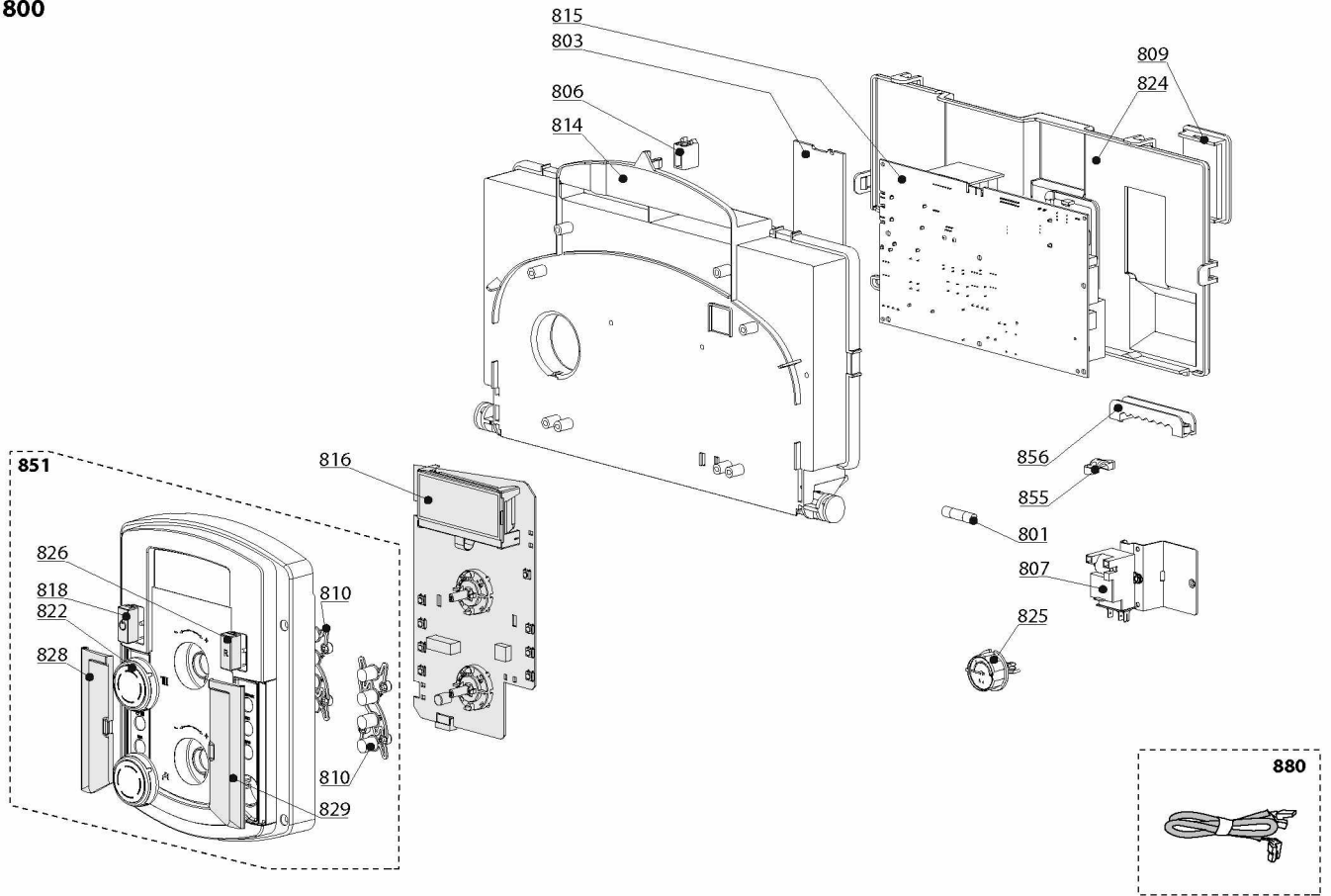
MIRA C GREEN

Gas-wall condensing boilers

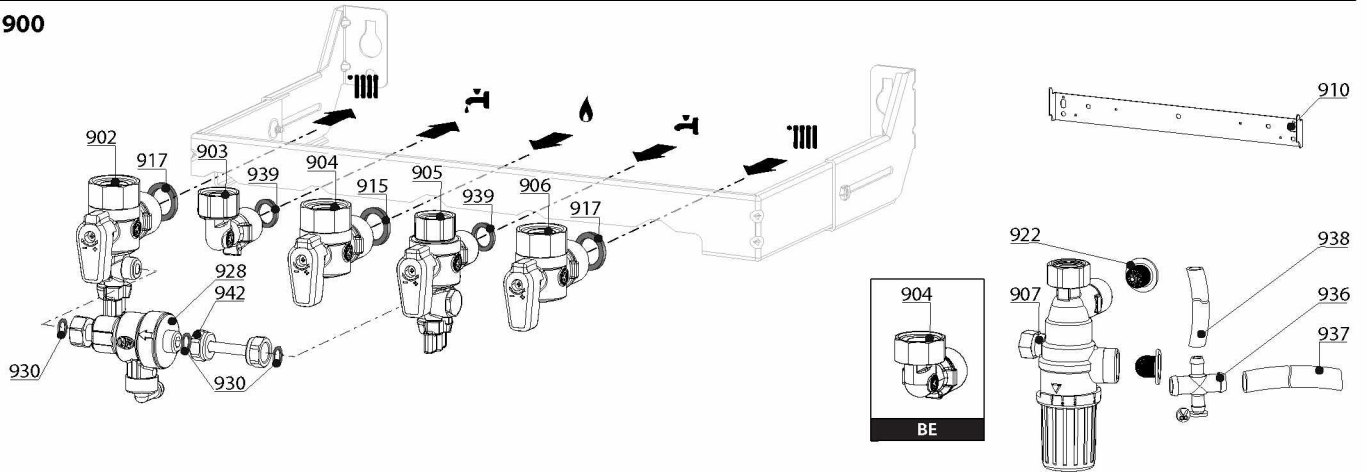




800



900



5000

- 5001**
- Gas conv. LPG G30/G31
 - Transf. gaz GPL G30/G31
 - Trasf. gas GPL G30/G31
 - Transf. gas GLP G30/G31
 - Flussiggas Umstellset
 - F-gas G30/G31
 - Ombouset
 - LPG G30/G31

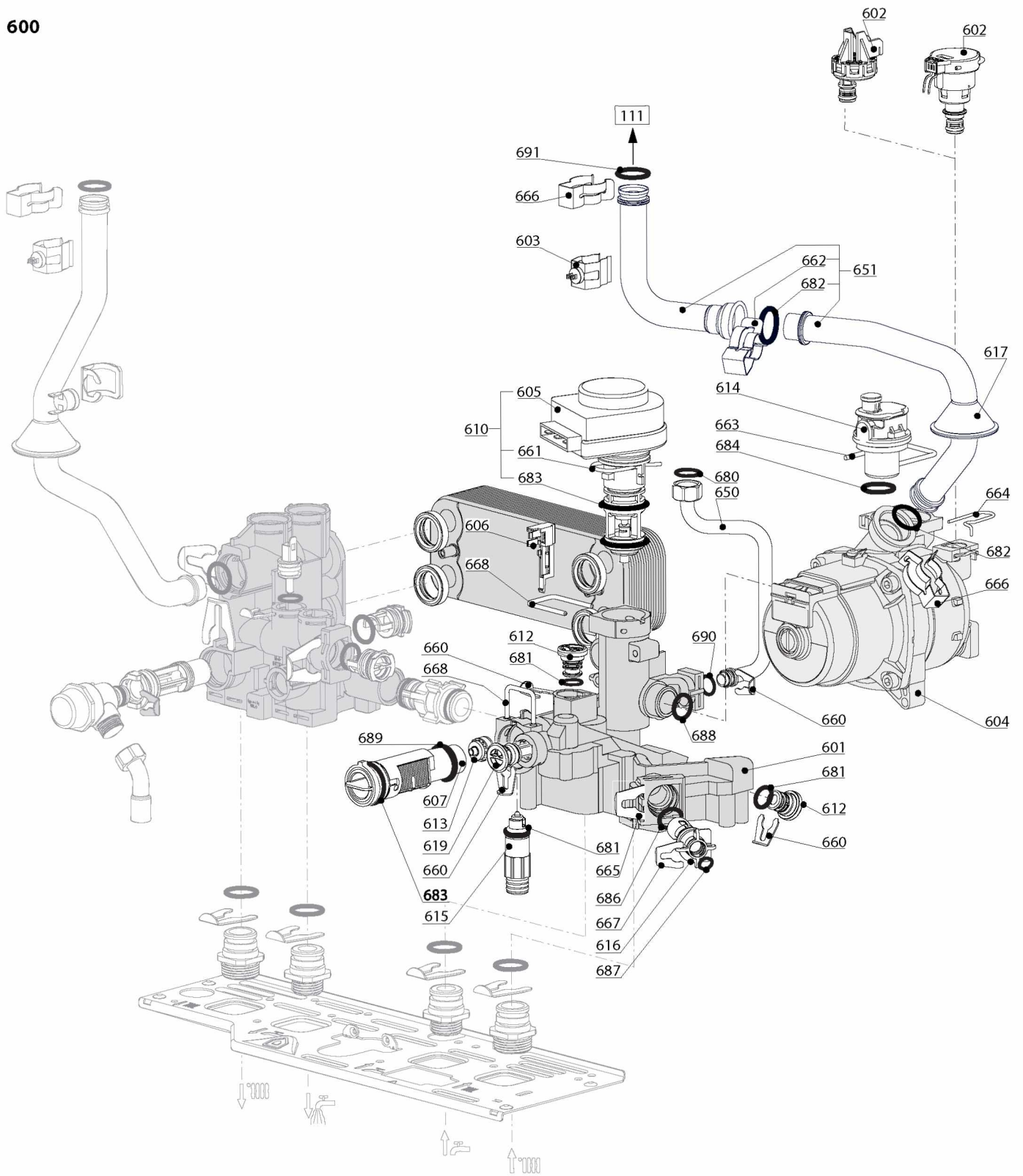
- 5020**
- Accessories
 - Options
 - Opzioni
 - Accessorio
 - Zubehör
 - Opties

	Description	Manf. Pt. N	Type	1	2	3	4	5	6	7	8	9	10	11	12	13	14	15	16	17	18	From	to
--	--------------------	--------------------	-------------	---	---	---	---	---	---	---	---	---	----	----	----	----	----	----	----	----	----	------	----

MIRA C GREEN 25
 MIRA C GREEN 30
 MIRA C GREEN 35

31

				1	2	3	4	5	6	7	8	9	10	11	12	13	14	15	16	17	18	From	to
0500	FLOW GROUP																						
0501	FLOW GROUP KIT	60002319		●	●	●																	
0502	TEMPERATURE PROBE + CLIP	990686-01		●	●	●																	
0503	PRESSURE RELIEF VALVE (3 BAR)	61312668		●	●	●																	
0504	NTC PROBE	65104338-01		●	●	●																	
0505	OVERHEAT THERMOSTAT 100°C	61010572		●	●	●																	
0507	SANITARY HEAT EXCHANGER (16 P.)	65104333		●	●	●																	
0512	PLUG	65104445		●	●	●																	
0513	GROMMET	61010109		●	●	●																	
0514	BY-PASS	65104336		●	●	●																	
0521	HYDRAULIC GROUP SUPPORT	60001375		●	●	●																	
0550	PIPE (SAFETY VALVE)	65104447		●	●	●																	
0551	PIPE (C.H. FLOW)	60000859		●	●	●																	
	PIPE (C.H. FLOW)	60000981					●																
0552	BY-PASS PIPE	65104340		●	●	●																	
0560	CLIP D10	65104260		●	●	●																	
0562	CLIP D18	65104259		●	●	●																	
0563	CLIP D:12	65104339		●	●	●																	
0564	CLIP	61010050		●	●	●																	
0565	CLIP	60000309		●	●	●																	
0581	O-RING 17.96X2.62	65104337		●	●	●																	
0582	O-RING 17.86X2.62	61308091		●	●	●																	
0583	O-RING 15.54X2.62	65104325		●	●	●																	
0584	O-RING 11.91X2.62	60000850		●	●	●																	
0585	O-RING 17.04X3.53	65104262		●	●	●																	
0588	EXCHANGER GASKET	65104334		●	●	●																	



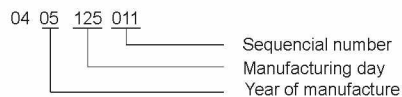
LIST OF THE ABBREVIATIONS

HW	: Hot water.
CW	: Cold water.
C	: Ceramic resistance (normal heating).
Ca	: Ceramic resistance (accelerated heating)
TP	: Immersion heater.
1F	: With fittings.
2F	: Without fittings.
3F	: With fittings and another outlet connection.
AMI	: With mixing valve.
SMI	: Without mixing valve.
PUISS	: Power of th appliance.
PN	: Appliance with normal pression.
LP	: Appliance with low pression.
PV	: Appliance with variable power.
PF	: Appliance with fixed power.

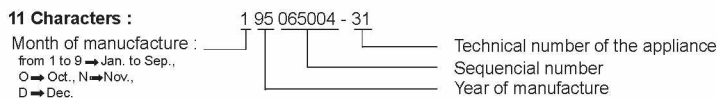
IDENTIFICATION PLATE

SERIAL NUMBER

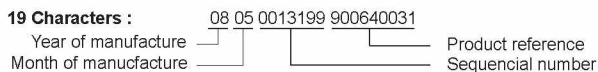
10 Characters :



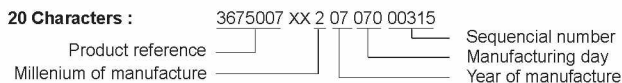
11 Characters :



19 Characters :



20 Characters :



21 Characters :

