

## SPARE PARTS EXPLODED VIEW GAS WALL BOILERS

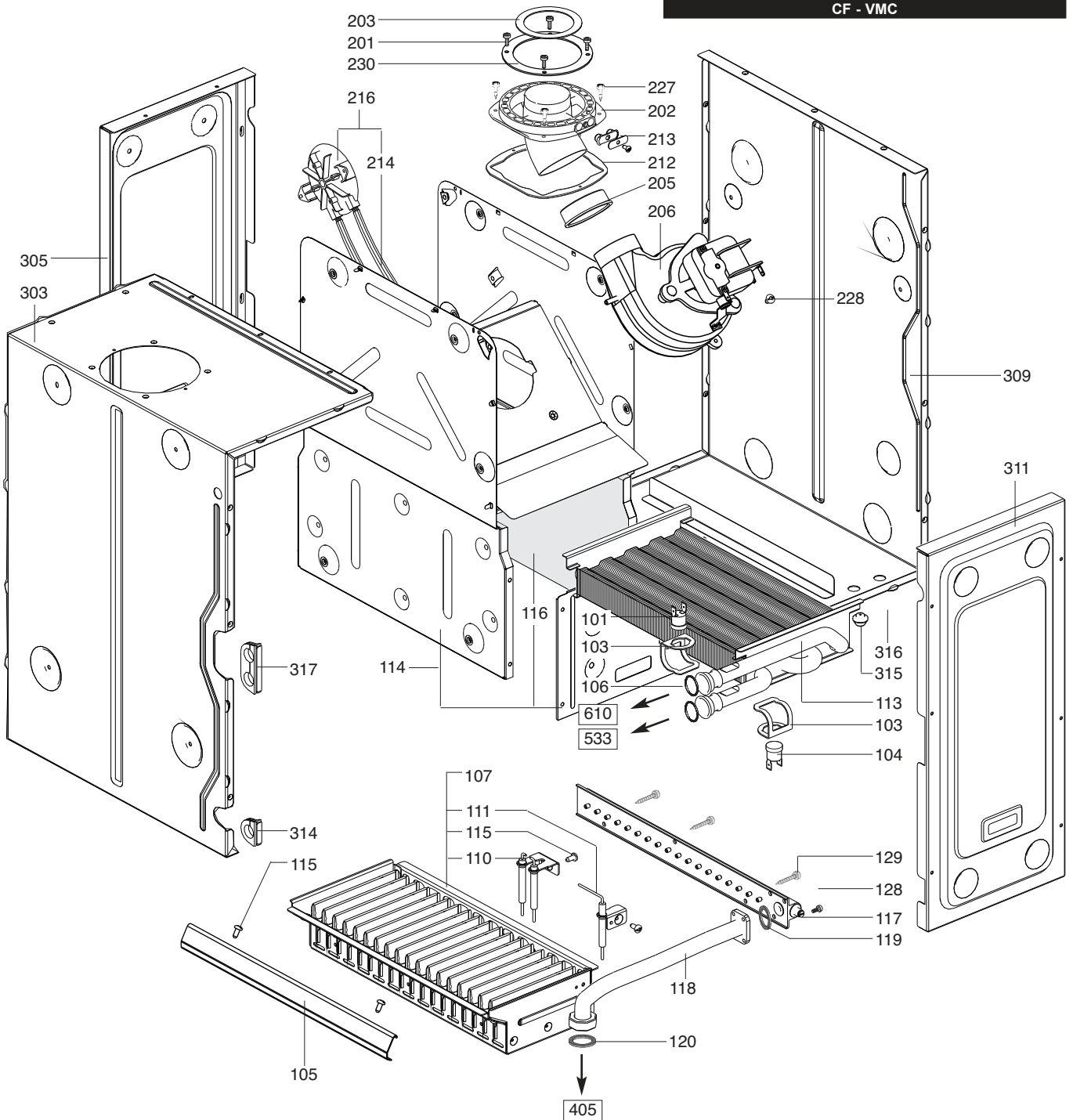
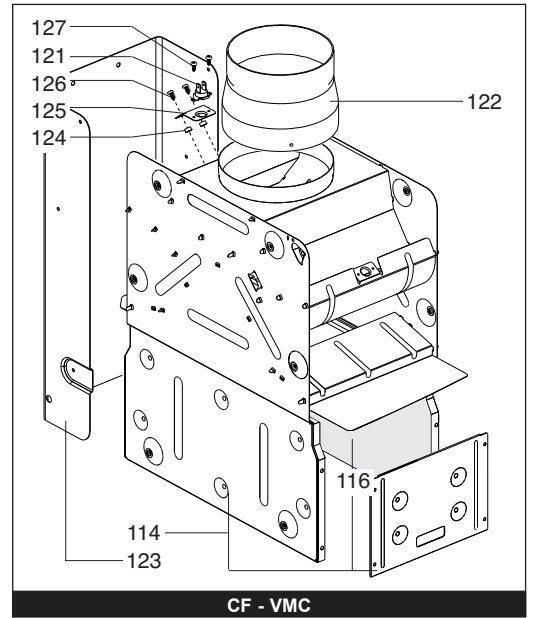
Model

**BALIXIA**

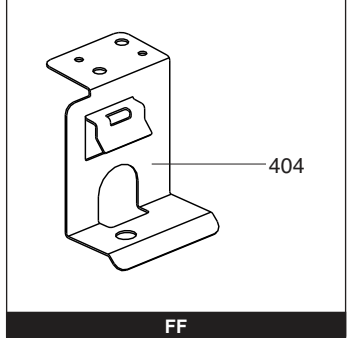
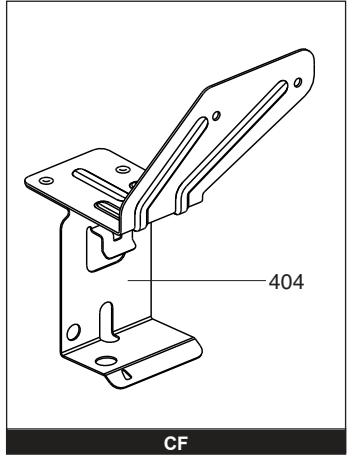
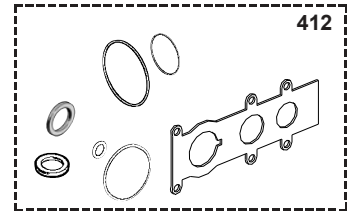
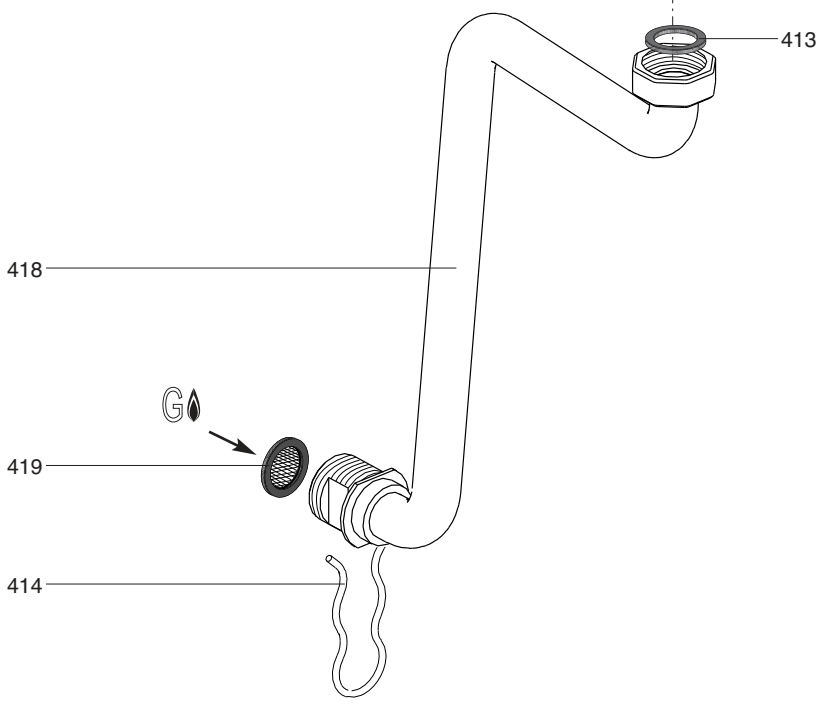
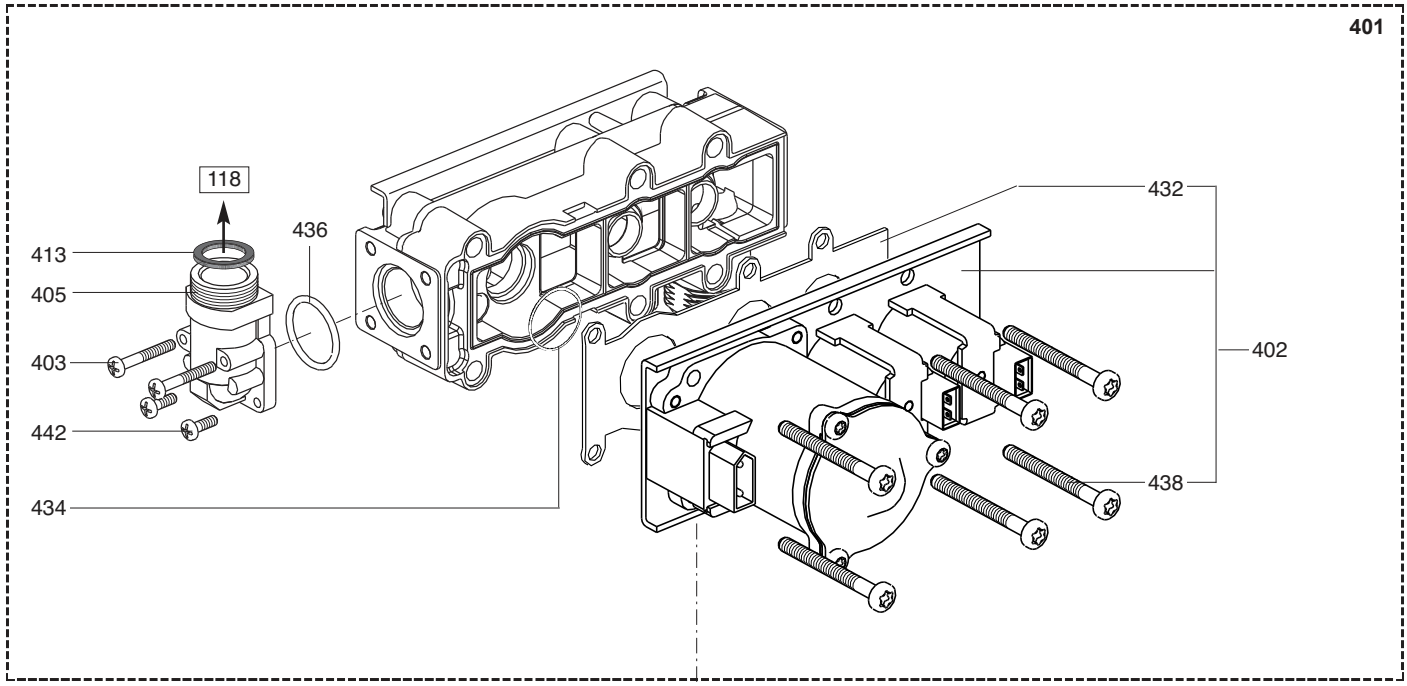
R8202638-07 - 20/03/2012

|   |              |                    |       |       |
|---|--------------|--------------------|-------|-------|
| 1 | 200006766031 | BALIXIA 24 CF NAT  | 11/02 | 03/07 |
| 1 | 200006766021 | BALIXIA 24 CF B/P  | 11/02 | 03/07 |
| 2 | 200006766036 | BALIXIA 24 VMC NAT | 11/02 | 03/07 |
| 2 | 200006766026 | BALIXIA 24 VMC B/P | 11/02 | 03/07 |
| 3 | 200006766037 | BALIXIA 24 FF NAT  | 11/02 | 03/07 |
| 3 | 200006766027 | BALIXIA 24 FF B/P  | 11/02 | 03/07 |

| Col | Reference | Model type | Begin | End |
|-----|-----------|------------|-------|-----|
|-----|-----------|------------|-------|-----|

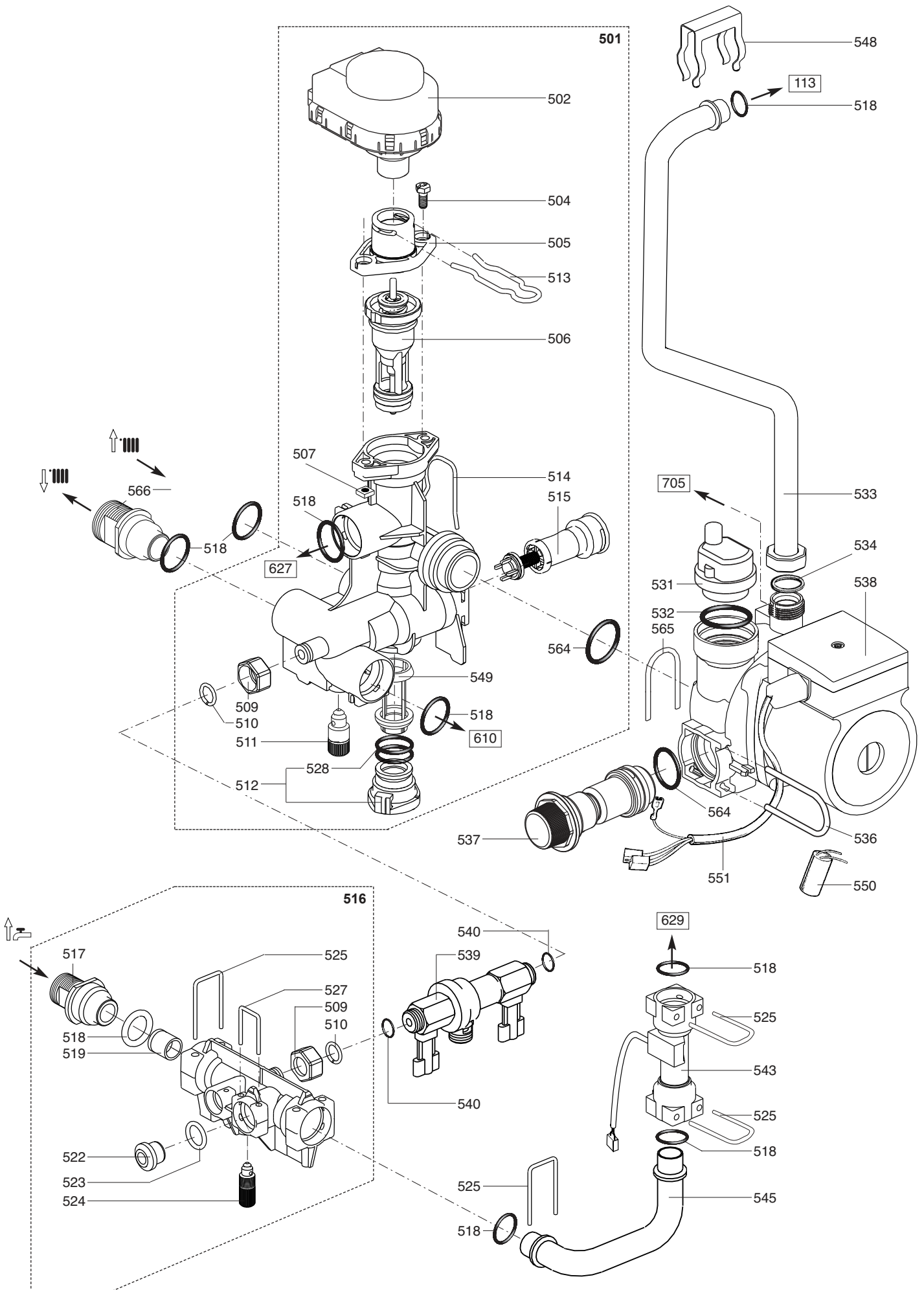


| ☉           | Description                   | Manf. Pt. N | Type | BALIXIA 24 CF<br>BALIXIA 24 MMC<br>BALIXIA 24 FF |   |   |   |   |   |   |   |   |    |    |    |    |    |    |       |    |    |
|-------------|-------------------------------|-------------|------|--|---|---|---|---|---|---|---|---|----|----|----|----|----|----|-------|----|----|
|             |                               |             |      | 1  | 2 | 3 | 4 | 5 | 6 | 7 | 8 | 9 | 10 | 11 | 12 | 13 | 14 | 15 | 16    | 17 | 18 |
| <b>0100</b> | <b>BURNER ASSEMBLY</b>        |             |      |  |   |   |   |   |   |   |   |   |    |    |    |    |    |    |       |    |    |
| 0101        | OVERHEAT THERMOSTAT 100C      | 61010572    |      | •  | • | • |   |   |   |   |   |   |    |    |    |    |    |    |       |    |    |
| 0103        | CLIP                          | 61010050    |      | •  | • | • |   |   |   |   |   |   |    |    |    |    |    |    |       |    |    |
| 0104        | TEMPERATURE PROBE + CLIP      | 990686      |      | •  | • | • |   |   |   |   |   |   |    |    |    |    |    |    |       |    |    |
| 0105        | CROSS LIGHTING STRIP          | 61303352    |      | •  | • | • |   |   |   |   |   |   |    |    |    |    |    |    |       |    |    |
| 0106        | O-RING D: 17-4                | 60024164-51 |      | •  | • | • |   |   |   |   |   |   |    |    |    |    |    |    |       |    |    |
| 0107        | BURNER BASE & ELECTRODES      | 61306599    |      | •  | • | • |   |   |   |   |   |   |    |    |    |    |    |    |       |    |    |
| 0110        | ELETTRODO D ACCENSIONE        | 61305840    |      | •  | • | • |   |   |   |   |   |   |    |    |    |    |    |    |       |    |    |
| 0111        | IONIZATION ELECTRODE          | 61303302    |      | •  | • | • |   |   |   |   |   |   |    |    |    |    |    |    |       |    |    |
| 0113        | HEAT EXCHANGER                | 61306547    |      | •  | • | • |   |   |   |   |   |   |    |    |    |    |    |    |       |    |    |
| 0114        | COMBUSTION CHAMBER            | 61306550-01 |      | •  | • |   |   |   |   |   |   |   |    |    |    |    |    |    |       |    |    |
|             | COMBUSTION CHAMBER            | 61306551    |      |  |   | • |   |   |   |   |   |   |    |    |    |    |    |    |       |    |    |
| 0115        | TAPPING SCREW CBLX D: 4.2-9.5 | 61010125    |      | •  | • | • |   |   |   |   |   |   |    |    |    |    |    |    |       |    |    |
| 0116        | COMBUSTION CHAMBER LINING KIT | 61307039    |      | •  | • | • |   |   |   |   |   |   |    |    |    |    |    |    |       |    |    |
| 0117        | MANIFOLD 18 INJ:0.68          | 61305248    | B/P  |  |   | • |   |   |   |   |   |   |    |    |    |    |    |    |       |    |    |
|             | MANIFOLD 18 INJ:0.68          | 61305433    | B/P  | •  | • |   |   |   |   |   |   |   |    |    |    |    |    |    |       |    |    |
|             | MANIFOLD 18 INJ:1.18          | 61305214    | NAT  | •  | • |   |   |   |   |   |   |   |    |    |    |    |    |    |       |    |    |
|             | MANIFOLD 18 INJ:1.23          | 61305249    | NAT  |  |   | • |   |   |   |   |   |   |    |    |    |    |    |    |       |    |    |
| 0118        | GAS TUBE                      | 61303140    |      | •  | • | • |   |   |   |   |   |   |    |    |    |    |    |    |       |    |    |
| 0119        | GASKET (/Manifold)            | 61010071    |      | •  | • | • |   |   |   |   |   |   |    |    |    |    |    |    |       |    |    |
| 0120        | SHEET GASKET D: 24-18.2-1.5   | 60022835-01 |      | •  | • | • |   |   |   |   |   |   |    |    |    |    |    |    |       |    |    |
| 0121        | OVERHEAT THERMOSTAT 54C       | 61010358    |      |  |   | • |   |   |   |   |   |   |    |    |    |    |    |    |       |    |    |
|             | THERMOSTAT (SAFETY - 70C)     | 61012479    |      |  |   | • |   |   |   |   |   |   |    |    |    |    |    |    |       |    |    |
| 0122        | FLUE SPIGOT D:140->125        | 61303145    |      | •  | • | • |   |   |   |   |   |   |    |    |    |    |    |    |       |    |    |
| 0123        | SIDE COVER SUPPORT            | 61303351    |      | •  | • | • |   |   |   |   |   |   |    |    |    |    |    |    |       |    |    |
| 0124        | SPACER                        | 61308439    |      |  |   | • |   |   |   |   |   |   |    |    |    |    |    |    |       |    |    |
| 0125        | SUPPORT BRACKET               | 61308440    |      |  |   | • |   |   |   |   |   |   |    |    |    |    |    |    |       |    |    |
| 0126        | TAPPING SCREW D: 3.5-9.5      | 61015329    |      |  |   | • |   |   |   |   |   |   |    |    |    |    |    |    |       |    |    |
| 0127        | SHEET SCREW CBLX D: 3.5-6.5   | 61010126    |      |  |   | • |   |   |   |   |   |   |    |    |    |    |    |    |       |    |    |
| 0128        | SCREW CX M 5-12               | 61011224    |      | •  | • | • |   |   |   |   |   |   |    |    |    |    |    |    |       |    |    |
| 0129        | TAPPING SCREW CBLX D: 4.2-25  | 61010128    |      | •  | • | • |   |   |   |   |   |   |    |    |    |    |    |    |       |    |    |
| <b>0200</b> | <b>FAN ASSEMBLY</b>           |             |      |  |   |   |   |   |   |   |   |   |    |    |    |    |    |    |       |    |    |
| 0201        | SCREW CLX M 5-20              | 61017600    |      |  |   | • |   |   |   |   |   |   |    |    |    |    |    |    |       |    |    |
| 0202        | FLUE CONNECTION               | 61304209    |      |  |   | • |   |   |   |   |   |   |    |    |    |    |    |    | 10/04 |    |    |
|             | FLUE CONNECTION               | 61313154    |      |  |   | • |   |   |   |   |   |   |    |    |    |    |    |    | 11/04 |    |    |
| 0203        | RESTRICTOR D:61 KIT           | 60000736    |      |  |   | • |   |   |   |   |   |   |    |    |    |    |    |    | 10/04 |    |    |
|             | RESTRICTOR D:65 KIT           | 60000737    |      |  |   | • |   |   |   |   |   |   |    |    |    |    |    |    | 11/04 |    |    |
|             | RESTRICTOR / AIR D:77 KIT     | 60000738    |      |  |   | • |   |   |   |   |   |   |    |    |    |    |    |    | 11/04 |    |    |
| 0205        | GASKET                        | 61303825    |      |  |   | • |   |   |   |   |   |   |    |    |    |    |    |    |       |    |    |
| 0206        | FAN ASSY                      | 61020925    |      |  |   | • |   |   |   |   |   |   |    |    |    |    |    |    |       |    |    |
| 0212        | GASKET                        | 61300262    |      |  |   | • |   |   |   |   |   |   |    |    |    |    |    |    |       |    |    |
| 0213        | PLUG KIT                      | 61306698    |      |  |   | • |   |   |   |   |   |   |    |    |    |    |    |    |       |    |    |
| 0214        | SILICONE TUBE D: 9x3 L: 1.30M | 60081265    |      |  |   | • |   |   |   |   |   |   |    |    |    |    |    |    |       |    |    |
| 0216        | AIR PRESSURE SWITCH 24-28KW   | 61307664    |      |  |   | • |   |   |   |   |   |   |    |    |    |    |    |    |       |    |    |
| 0227        | TAPPING SCREW CBLX D:4.2-12.5 | 61010847    |      |  |   | • |   |   |   |   |   |   |    |    |    |    |    |    |       |    |    |
| 0228        | TAPPING SCREW CBLX D: 6.3-19  | 61010127    |      |  |   | • |   |   |   |   |   |   |    |    |    |    |    |    |       |    |    |
| 0230        | GASKET (/ Flue bend turret)   | 61300258    |      |  |   | • |   |   |   |   |   |   |    |    |    |    |    |    |       |    |    |
| <b>0300</b> | <b>SEALED CASE</b>            |             |      |  |   |   |   |   |   |   |   |   |    |    |    |    |    |    |       |    |    |
| 0303        | SIDE PANEL                    | 61306624    |      |  |   | • |   |   |   |   |   |   |    |    |    |    |    |    |       |    |    |
| 0305        | REAR PANEL                    | 61304377    |      |  |   | • |   |   |   |   |   |   |    |    |    |    |    |    |       |    |    |
| 0309        | SIDE PANEL                    | 61306623    |      |  |   | • |   |   |   |   |   |   |    |    |    |    |    |    |       |    |    |
| 0311        | FRONT PANEL                   | 61304376    |      |  |   | • |   |   |   |   |   |   |    |    |    |    |    |    |       |    |    |
| 0314        | GROMMET D: 18                 | 61303149    |      |  |   | • |   |   |   |   |   |   |    |    |    |    |    |    |       |    |    |
| 0315        | GROMMET                       | 60039017    |      |  |   | • |   |   |   |   |   |   |    |    |    |    |    |    |       |    |    |
| 0316        | GROMMET - DOUBLE              | 60042707    |      |  |   | • |   |   |   |   |   |   |    |    |    |    |    |    |       |    |    |
| 0317        | GROMMET                       | 61303148    |      |  |   | • |   |   |   |   |   |   |    |    |    |    |    |    |       |    |    |

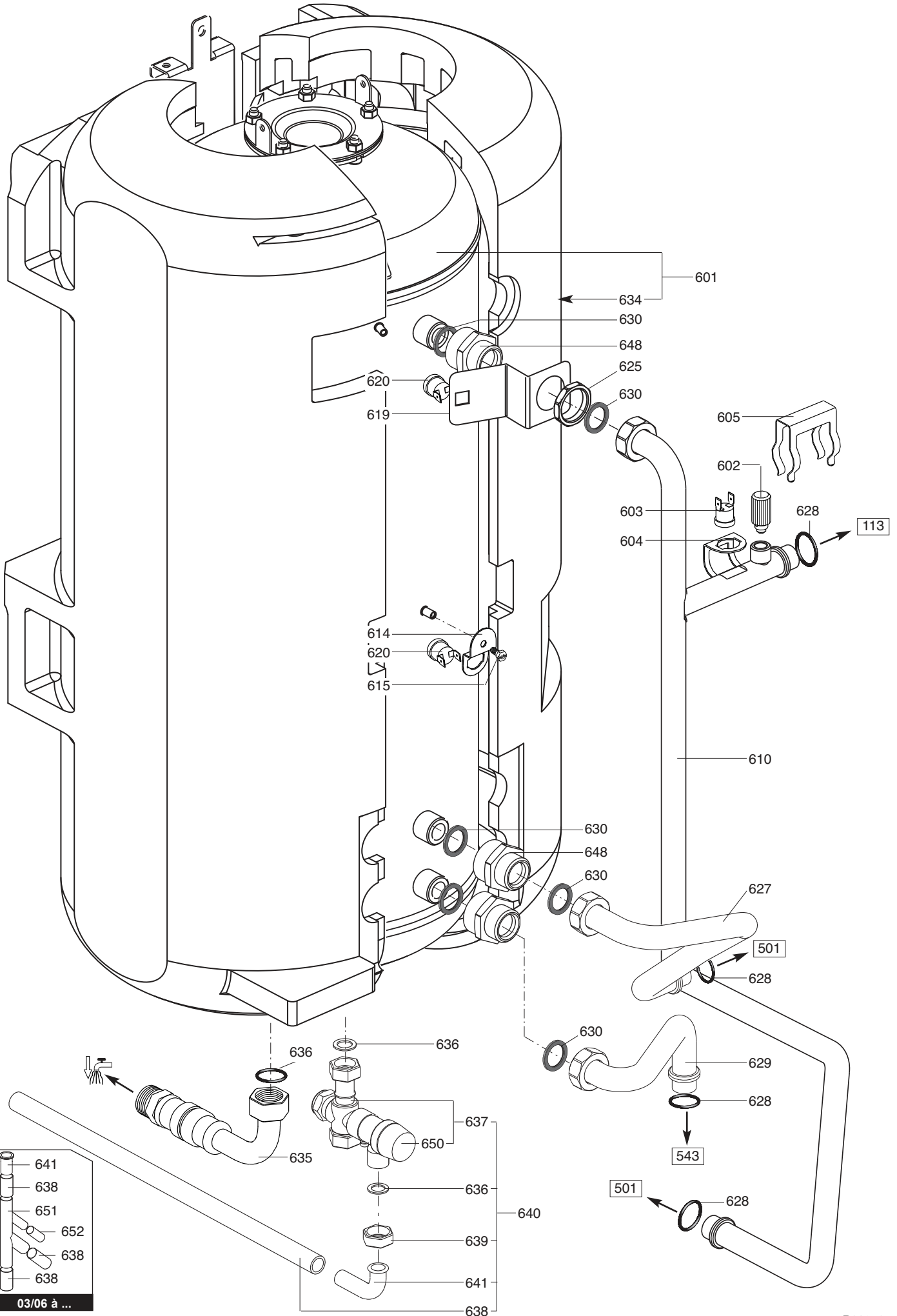


BALIXIA 24 CF  
BALIXIA 24 MMC  
BALIXIA 24 FF

| Code        | Description                 | Manf. Pt. N | Type | Columns 1-18 |   |   |   |   |   |   |   |   |    |    |    |    |    |    |    |    |    |
|-------------|-----------------------------|-------------|------|--------------|---|---|---|---|---|---|---|---|----|----|----|----|----|----|----|----|----|
|             |                             |             |      | 1            | 2 | 3 | 4 | 5 | 6 | 7 | 8 | 9 | 10 | 11 | 12 | 13 | 14 | 15 | 16 | 17 | 18 |
| <b>0400</b> | <b>GAS SECTION</b>          |             |      |              |   |   |   |   |   |   |   |   |    |    |    |    |    |    |    |    |    |
| 0401        | GAS VALVE LPG               | 61305254    | B/P  | •            | • | • |   |   |   |   |   |   |    |    |    |    |    |    |    |    |    |
|             | GAS VALVE NAT               | 61303305    | NAT  | •            | • | • |   |   |   |   |   |   |    |    |    |    |    |    |    |    |    |
| 0402        | SOLENOID VALVES KIT LPG     | 60081860    | B/P  | •            | • | • |   |   |   |   |   |   |    |    |    |    |    |    |    |    |    |
|             | SOLENOID VALVES KIT NAT     | 60081859    | NAT  | •            | • | • |   |   |   |   |   |   |    |    |    |    |    |    |    |    |    |
| 0403        | SCREW CLXS M 4-30           | 61015154    |      | •            | • | • |   |   |   |   |   |   |    |    |    |    |    |    |    |    |    |
| 0404        | SUPPORT BRACKET             | 61303161    |      |              |   | • |   |   |   |   |   |   |    |    |    |    |    |    |    |    |    |
|             | SUPPORT BRACKET             | 61305431    |      | •            | • |   |   |   |   |   |   |   |    |    |    |    |    |    |    |    |    |
| 0405        | CONNECTION                  | 61012649    |      | •            | • | • |   |   |   |   |   |   |    |    |    |    |    |    |    |    |    |
| 0412        | GAS SECTION GASKETS KIT     | 60081837    |      | •            | • | • |   |   |   |   |   |   |    |    |    |    |    |    |    |    |    |
| 0413        | SHEET GASKET D: 24-18.2-1.5 | 60022835-01 |      | •            | • | • |   |   |   |   |   |   |    |    |    |    |    |    |    |    |    |
| 0414        | PIN                         | 61305179    |      | •            | • | • |   |   |   |   |   |   |    |    |    |    |    |    |    |    |    |
| 0418        | GAS TUBE                    | 61303306    |      | •            | • | • |   |   |   |   |   |   |    |    |    |    |    |    |    |    |    |
| 0419        | GAS FILTER                  | 60037309    |      | •            | • | • |   |   |   |   |   |   |    |    |    |    |    |    |    |    |    |
| 0432        | GASKET (/Solenoid valve)    | 61013018    |      | •            | • | • |   |   |   |   |   |   |    |    |    |    |    |    |    |    |    |
| 0434        | O-RING D: 14.1-1.6          | 60021061-41 |      | •            | • | • |   |   |   |   |   |   |    |    |    |    |    |    |    |    |    |
| 0436        | O-RING D: 22-2.6            | 60021061-40 |      | •            | • | • |   |   |   |   |   |   |    |    |    |    |    |    |    |    |    |
| 0438        | SCREW CLXS M 5-45           | 61014414    |      | •            | • | • |   |   |   |   |   |   |    |    |    |    |    |    |    |    |    |
| 0442        | SCREW CLXS M 4-12           | 61015153    |      | •            | • | • |   |   |   |   |   |   |    |    |    |    |    |    |    |    |    |

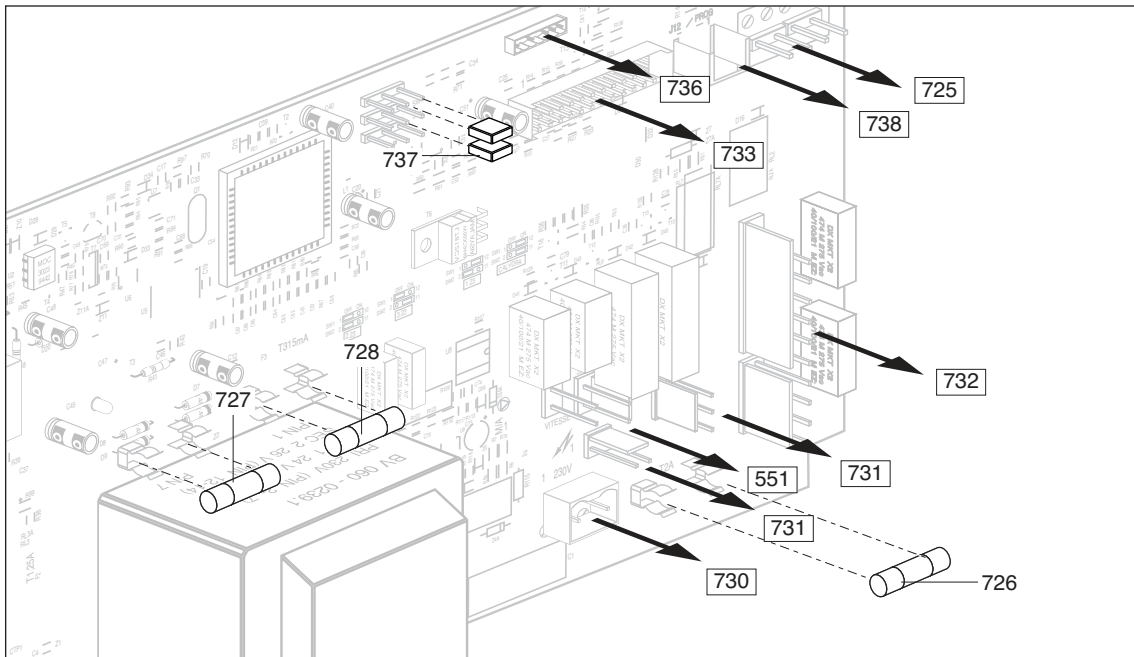
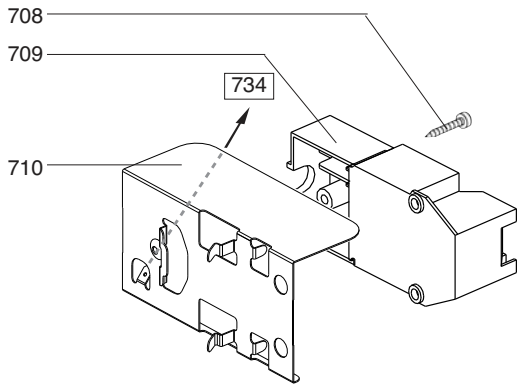
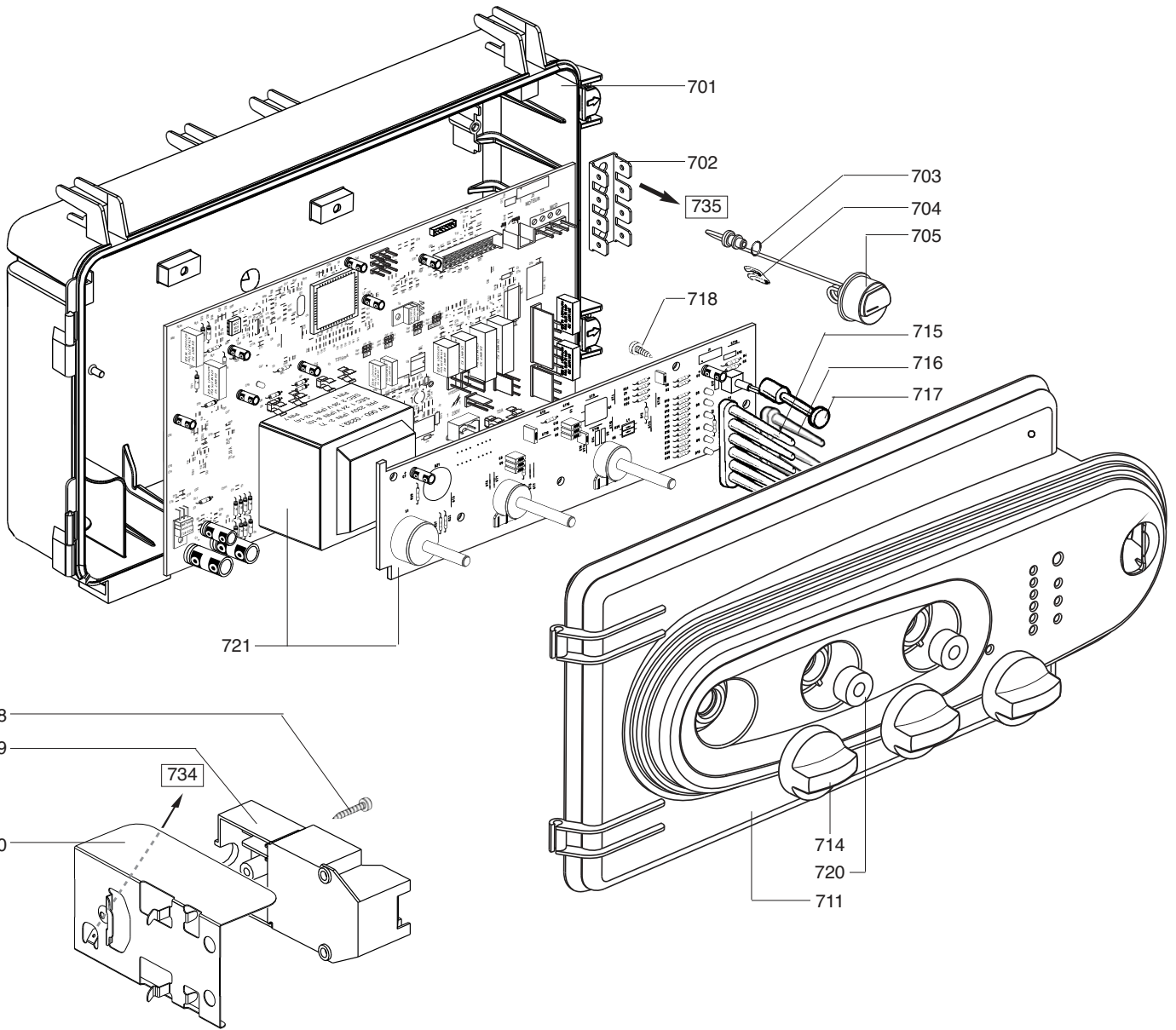


| ☉→   | Description                   | Manf. Pt. N | Type | BALIXIA 24 CF<br>BALIXIA 24 MMC<br>BALIXIA 24 FF |   |   |   |   |   |   |   |   |    |    |    |    |    |    |    |    |    |
|------|-------------------------------|-------------|------|--|---|---|---|---|---|---|---|---|----|----|----|----|----|----|----|----|----|
|      |                               |             |      | 1  | 2 | 3 | 4 | 5 | 6 | 7 | 8 | 9 | 10 | 11 | 12 | 13 | 14 | 15 | 16 | 17 | 18 |
| 0500 | HYDRAULIC BLOCK               |             |      |  |   |   |   |   |   |   |   |   |    |    |    |    |    |    |    |    |    |
| 0501 | HEATING BLOCK ASSY            | 61306595    |      | ●  | ● | ● |   |   |   |   |   |   |    |    |    |    |    |    |    |    |    |
| 0502 | MOTOR - THREE-WAY VALVE       | 61302483-01 |      | ●  | ● | ● |   |   |   |   |   |   |    |    |    |    |    |    |    |    |    |
| 0504 | SCREW HX M 5-12               | 61010131    |      | ●  | ● | ● |   |   |   |   |   |   |    |    |    |    |    |    |    |    |    |
| 0505 | INTERFACE                     | 61304003    |      | ●  | ● | ● |   |   |   |   |   |   |    |    |    |    |    |    |    |    |    |
| 0506 | VALVE KIT                     | 61303330    |      | ●  | ● | ● |   |   |   |   |   |   |    |    |    |    |    |    |    |    |    |
| 0507 | NUT M 5                       | 61016604    |      | ●  | ● | ● |   |   |   |   |   |   |    |    |    |    |    |    |    |    |    |
| 0509 | NUT 3/8» THICK: 11            | 60020746-20 |      | ●  | ● | ● |   |   |   |   |   |   |    |    |    |    |    |    |    |    |    |
| 0510 | RETAINING RING                | 61302621    |      | ●  | ● | ● |   |   |   |   |   |   |    |    |    |    |    |    |    |    |    |
| 0511 | DRAIN SCREW ASSY              | 60081028    |      | ●  | ● | ● |   |   |   |   |   |   |    |    |    |    |    |    |    |    |    |
| 0512 | PLUG ASSY                     | 61305112    |      | ●  | ● | ● |   |   |   |   |   |   |    |    |    |    |    |    |    |    |    |
| 0513 | PIN                           | 61304002    |      | ●  | ● | ● |   |   |   |   |   |   |    |    |    |    |    |    |    |    |    |
| 0514 | PIN                           | 61302332    |      | ●  | ● | ● |   |   |   |   |   |   |    |    |    |    |    |    |    |    |    |
| 0515 | BY-PASS                       | 61305111    |      | ●  | ● | ● |   |   |   |   |   |   |    |    |    |    |    |    |    |    |    |
| 0516 | WATER/WATER HEAT BLOCK ASSY   | 61315355    |      | ●  | ● | ● |   |   |   |   |   |   |    |    |    |    |    |    |    |    |    |
| 0517 | CONNECTION                    | 61302753    |      | ●  | ● | ● |   |   |   |   |   |   |    |    |    |    |    |    |    |    |    |
| 0518 | O-RING D: 17-4                | 60024164-51 |      | ●  | ● | ● |   |   |   |   |   |   |    |    |    |    |    |    |    |    |    |
| 0519 | FLOW REGULATOR 12L A/R        | 61303380    |      | ●  | ● | ● |   |   |   |   |   |   |    |    |    |    |    |    |    |    |    |
| 0522 | PLUG                          | 61303675    |      | ●  | ● | ● |   |   |   |   |   |   |    |    |    |    |    |    |    |    |    |
| 0523 | O-RING D: 13.6-2.7            | 60021061-18 |      | ●  | ● | ● |   |   |   |   |   |   |    |    |    |    |    |    |    |    |    |
| 0524 | DRAIN SCREW ASSY              | 60081904    |      | ●  | ● | ● |   |   |   |   |   |   |    |    |    |    |    |    |    |    |    |
| 0525 | PIN                           | 61016206-02 |      | ●  | ● | ● |   |   |   |   |   |   |    |    |    |    |    |    |    |    |    |
| 0527 | PIN                           | 61303234    |      | ●  | ● | ● |   |   |   |   |   |   |    |    |    |    |    |    |    |    |    |
| 0528 | O-RING D: 22-2                | 60022113-03 |      | ●  | ● | ● |   |   |   |   |   |   |    |    |    |    |    |    |    |    |    |
| 0531 | AIR SEPARATOR HEAD ASSEMBLY   | 61304608    |      | ●  | ● | ● |   |   |   |   |   |   |    |    |    |    |    |    |    |    |    |
| 0532 | GASKET KIT                    | 61304618    |      | ●  | ● | ● |   |   |   |   |   |   |    |    |    |    |    |    |    |    |    |
| 0533 | TUBE : PUMP TO HEAT EXCHANGER | 61303219    |      | ●  | ● | ● |   |   |   |   |   |   |    |    |    |    |    |    |    |    |    |
| 0534 | O-RING D: 16-1.9              | 61009833-37 |      | ●  | ● | ● |   |   |   |   |   |   |    |    |    |    |    |    |    |    |    |
| 0536 | CLIP                          | 61302720    |      | ●  | ● | ● |   |   |   |   |   |   |    |    |    |    |    |    |    |    |    |
| 0537 | PRESSURE RELIEF VALVE         | 61305113    |      | ●  | ● | ● |   |   |   |   |   |   |    |    |    |    |    |    |    |    |    |
| 0538 | PUMP + AIR SEPARATOR 15/50    | 61301964    |      | ●  | ● | ● |   |   |   |   |   |   |    |    |    |    |    |    |    |    |    |
|      | PUMP + AIR SEPARATOR 15/60    | 61303461    |      | ●  | ● | ● |   |   |   |   |   |   |    |    |    |    |    |    |    |    |    |
| 0539 | DISCONNECTOR                  | 61303319    |      | ●  | ● | ● |   |   |   |   |   |   |    |    |    |    |    |    |    |    |    |
| 0540 | SHEET TASKET D: 15-8.5-1.5    | 60030867    |      | ●  | ● | ● |   |   |   |   |   |   |    |    |    |    |    |    |    |    |    |
| 0543 | STOPPED WATER THROTTLE        | 61304982    |      | ●  | ● | ● |   |   |   |   |   |   |    |    |    |    |    |    |    |    |    |
| 0545 | COLD WATER TUBE               | 61311240    |      | ●  | ● | ● |   |   |   |   |   |   |    |    |    |    |    |    |    |    |    |
| 0548 | CLIP                          | 61010609    |      | ●  | ● | ● |   |   |   |   |   |   |    |    |    |    |    |    |    |    |    |
| 0549 | HEATING FILTER                | 61016502    |      | ●  | ● | ● |   |   |   |   |   |   |    |    |    |    |    |    |    |    |    |
|      | FILTER                        | 61312851    |      | ●  | ● | ● |   |   |   |   |   |   |    |    |    |    |    |    |    |    |    |
| 0550 | CAPACITOR                     | 61000652-10 |      | ●  | ● | ● |   |   |   |   |   |   |    |    |    |    |    |    |    |    |    |
| 0551 | PUMP LEAD (2 SPEEDS)          | 61306995    |      | ●  | ● | ● |   |   |   |   |   |   |    |    |    |    |    |    |    |    |    |
| 0564 | O-RING D: 24.6-3.6            | 61009834-30 |      | ●  | ● | ● |   |   |   |   |   |   |    |    |    |    |    |    |    |    |    |
| 0565 | CLIP                          | 60030898-03 |      | ●  | ● | ● |   |   |   |   |   |   |    |    |    |    |    |    |    |    |    |
| 0566 | CONNECTION                    | 61303920    |      | ●  | ● | ● |   |   |   |   |   |   |    |    |    |    |    |    |    |    |    |

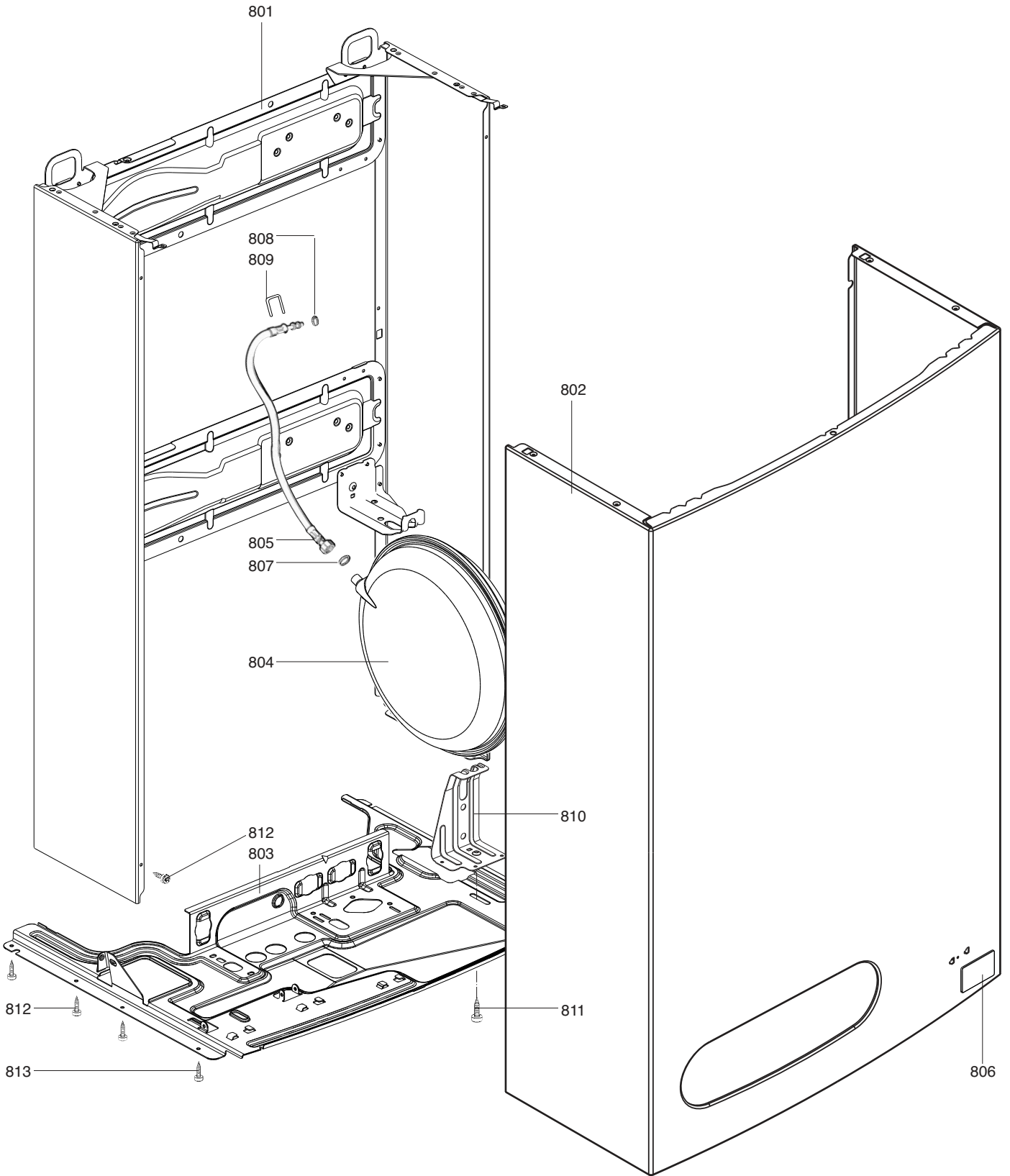




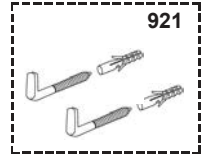
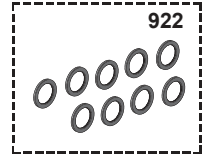
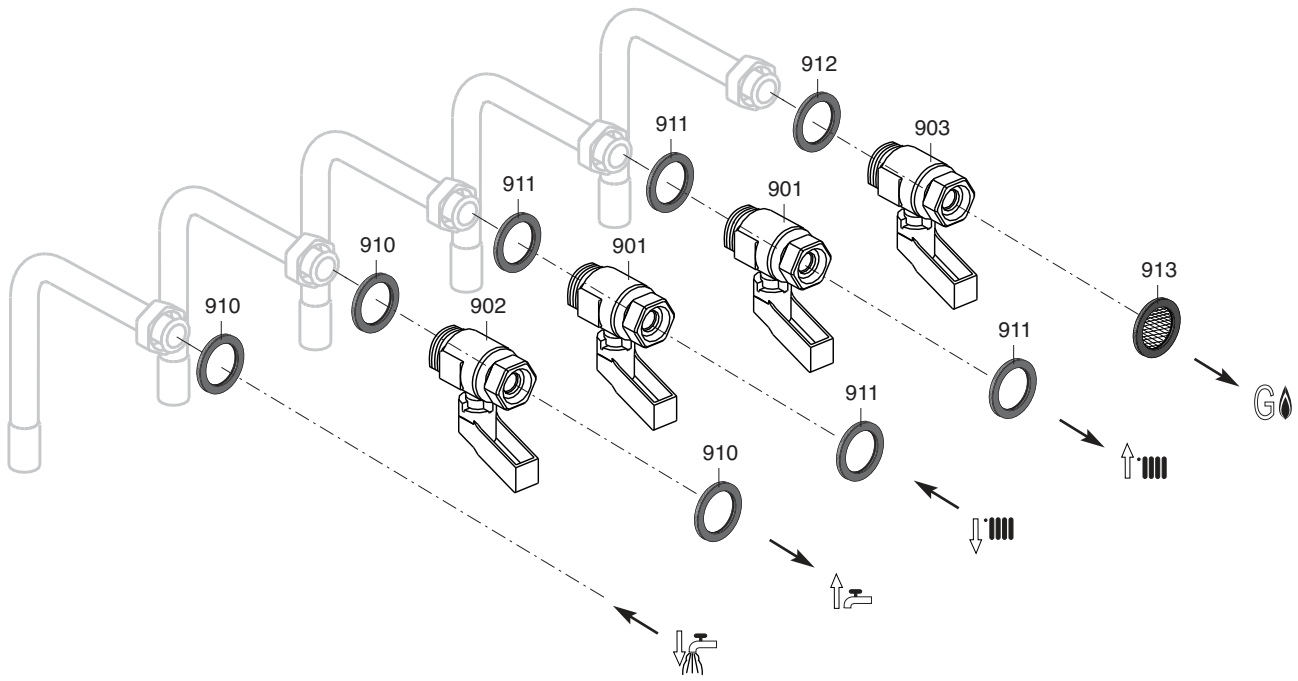
| ☉⇒   | Description                   | Manf. Pt. N | Type | BALIXIA 24 CF<br>BALIXIA 24 MMC<br>BALIXIA 24 FF |   |   |   |   |   |   |   |   |    |    |    |    |    |       |       |    |    |
|------|-------------------------------|-------------|------|--|---|---|---|---|---|---|---|---|----|----|----|----|----|-------|-------|----|----|
|      |                               |             |      | 1  | 2 | 3 | 4 | 5 | 6 | 7 | 8 | 9 | 10 | 11 | 12 | 13 | 14 | 15    | 16    | 17 | 18 |
| 0600 | HOT WATER TANK                |             |      |  |   |   |   |   |   |   |   |   |    |    |    |    |    |       |       |    |    |
| 0601 | FLANGE + ANODE                | 60000334    |      | ●  | ● | ● |   |   |   |   |   |   |    |    |    |    |    |       |       |    |    |
|      | HOT WATER TANK 60L            | 61309770    |      | ●  | ● | ● |   |   |   |   |   |   |    |    |    |    |    |       |       |    |    |
|      | GASKET                        | 61315615    |      | ●  | ● | ● |   |   |   |   |   |   |    |    |    |    |    |       |       |    |    |
| 0602 | DRAIN SCREW ASSY              | 60081028    |      | ●  | ● | ● |   |   |   |   |   |   |    |    |    |    |    |       |       |    |    |
| 0603 | TEMPERATURE PROBE + CLIP      | 990686      |      | ●  | ● | ● |   |   |   |   |   |   |    |    |    |    |    |       |       |    |    |
| 0605 | CLIP                          | 61010609    |      | ●  | ● | ● |   |   |   |   |   |   |    |    |    |    |    |       |       |    |    |
| 0610 | HEATING FLOW BEND             | 61309674    |      | ●  | ● | ● |   |   |   |   |   |   |    |    |    |    |    |       |       |    |    |
| 0614 | SUPPORT                       | 61303369    |      | ●  | ● | ● |   |   |   |   |   |   |    |    |    |    |    |       |       |    |    |
| 0615 | SCREW HSX M 5-8               | 61302631    |      | ●  | ● | ● |   |   |   |   |   |   |    |    |    |    |    |       |       |    |    |
| 0619 | SUPPORT                       | 61311909    |      | ●  | ● | ● |   |   |   |   |   |   |    |    |    |    |    |       |       |    |    |
| 0620 | THERMISTOR TEMP. SENSOR       | 61312187    |      | ●  | ● | ● |   |   |   |   |   |   |    |    |    |    |    |       |       |    |    |
| 0625 | LOCK NUT                      | 60030661    |      | ●  | ● | ● |   |   |   |   |   |   |    |    |    |    |    |       |       |    |    |
| 0627 | FLOW TUBE                     | 61309670    |      | ●  | ● | ● |   |   |   |   |   |   |    |    |    |    |    |       |       |    |    |
| 0628 | O-RING D: 17-4                | 60024164-51 |      | ●  | ● | ● |   |   |   |   |   |   |    |    |    |    |    |       |       |    |    |
| 0629 | COLD WATER TUBE               | 61309671    |      | ●  | ● | ● |   |   |   |   |   |   |    |    |    |    |    |       |       |    |    |
| 0630 | SHEET GASKET D: 24-18.2-1.5   | 60022835-01 |      | ●  | ● | ● |   |   |   |   |   |   |    |    |    |    |    |       |       |    |    |
| 0634 | INSULATION                    | 61310027    |      | ●  | ● | ● |   |   |   |   |   |   |    |    |    |    |    |       |       |    |    |
| 0635 | HOT WATER BEND                | 61305099    |      | ●  | ● | ● |   |   |   |   |   |   |    |    |    |    |    |       |       |    |    |
| 0636 | SHEET GASKET D: 18.4-12.2-1.5 | 60022835-14 |      | ●  | ● | ● |   |   |   |   |   |   |    |    |    |    |    |       |       |    |    |
| 0637 | PRESSURE RELIEF VALVE 7 BARS  | 61304749    |      | ●  | ● | ● |   |   |   |   |   |   |    |    |    |    |    |       |       |    |    |
| 0638 | TUBE PVC D: 13x17 L: 1M       | 60081266-02 |      | ●  | ● | ● |   |   |   |   |   |   |    |    |    |    |    |       |       |    |    |
| 0639 | NUT 1/2» THICK: 12            | 60020747-28 |      | ●  | ● | ● |   |   |   |   |   |   |    |    |    |    |    |       |       |    |    |
| 0640 | PRESSURE RELIEF VALVE KIT     | 61305178    |      | ●  | ● | ● |   |   |   |   |   |   |    |    |    |    |    |       |       |    |    |
| 0641 | CONNECTING PIPE               | 60001076    |      | ●  | ● | ● |   |   |   |   |   |   |    |    |    |    |    | 03/06 |       |    |    |
|      | CONNECTING PIPE               | 61010430    |      | ●  | ● | ● |   |   |   |   |   |   |    |    |    |    |    |       | 02/06 |    |    |
| 0648 | SLEEVE                        | 60077535    |      | ●  | ● | ● |   |   |   |   |   |   |    |    |    |    |    |       |       |    |    |
| 0650 | VALVE 7 BARS                  | 60000437    |      | ●  | ● | ● |   |   |   |   |   |   |    |    |    |    |    |       |       |    |    |
| 0651 | CONNECTION                    | 60000368    |      | ●  | ● | ● |   |   |   |   |   |   |    |    |    |    |    |       |       |    |    |
| 0652 | TUBE PVC D: 9x12 L: 1M        | 60081266    |      | ●  | ● | ● |   |   |   |   |   |   |    |    |    |    |    |       |       |    |    |



| ☉⇒   | Description                    | Manf. Pt. N | Type | BALIXIA 24 CF<br>BALIXIA 24 MMC<br>BALIXIA 24 FF |   |   |   |   |   |   |   |   |    |    |    |    |    |    |    |    |    |
|------|--------------------------------|-------------|------|--|---|---|---|---|---|---|---|---|----|----|----|----|----|----|----|----|----|
|      |                                |             |      | 1  | 2 | 3 | 4 | 5 | 6 | 7 | 8 | 9 | 10 | 11 | 12 | 13 | 14 | 15 | 16 | 17 | 18 |
| 0700 | ELECTRICAL BOX                 |             |      |  |   |   |   |   |   |   |   |   |    |    |    |    |    |    |    |    |    |
| 0701 | BASE - BOX                     | 61303242    |      | •  | • | • |   |   |   |   |   |   |    |    |    |    |    |    |    |    |    |
| 0702 | CONNECTION STRIP               | 61002725    |      | •  | • | • |   |   |   |   |   |   |    |    |    |    |    |    |    |    |    |
| 0703 | O RING D: 5.7-1.9              | 61009834-10 |      | •  | • | • |   |   |   |   |   |   |    |    |    |    |    |    |    |    |    |
| 0704 | CLIP                           | 61002406    |      | •  | • | • |   |   |   |   |   |   |    |    |    |    |    |    |    |    |    |
| 0705 | PRESSURE GAUGE                 | 61305005    |      | •  | • | • |   |   |   |   |   |   |    |    |    |    |    |    |    |    |    |
| 0708 | TAPPING SCREW D: 3.5-9.5       | 61015329    |      | •  | • | • |   |   |   |   |   |   |    |    |    |    |    |    |    |    |    |
| 0709 | IGNITER                        | 61002105-20 |      | •  | • | • |   |   |   |   |   |   |    |    |    |    |    |    |    |    |    |
| 0710 | SUPPORT BRACKET                | 61304977    |      | •  | • | • |   |   |   |   |   |   |    |    |    |    |    |    |    |    |    |
| 0711 | ELECTRICAL BOX COVER           | 61311079    |      | •  | • | • |   |   |   |   |   |   |    |    |    |    |    |    |    |    |    |
| 0714 | WHITE KNOB                     | 61311080    |      | •  | • | • |   |   |   |   |   |   |    |    |    |    |    |    |    |    |    |
| 0715 | TRANSMITTER OF LEDS - TEMPORA. | 61010010    |      | •  | • | • |   |   |   |   |   |   |    |    |    |    |    |    |    |    |    |
| 0716 | TRANSMITTER OF LEDS - ON/OFF   | 61010011    |      | •  | • | • |   |   |   |   |   |   |    |    |    |    |    |    |    |    |    |
| 0717 | IGNITION PUSH ROD              | 61010072    |      | •  | • | • |   |   |   |   |   |   |    |    |    |    |    |    |    |    |    |
| 0718 | TAPPING SCREW TCBL D:4 L:10    | 61020509    |      | •  | • | • |   |   |   |   |   |   |    |    |    |    |    |    |    |    |    |
| 0720 | GENTRING PIECE                 | 61010241    |      | •  | • | • |   |   |   |   |   |   |    |    |    |    |    |    |    |    |    |
| 0721 | PRINTED CIRCUIT BOARDS         | 60000628    |      | •  | • | • |   |   |   |   |   |   |    |    |    |    |    |    |    |    |    |
| 0725 | THERMOSTAT CABLE               | 61312402    |      | •  | • | • |   |   |   |   |   |   |    |    |    |    |    |    |    |    |    |
| 0726 | FUSE 250V 2A - TEMPORIZED      | 61003456    |      | •  | • | • |   |   |   |   |   |   |    |    |    |    |    |    |    |    |    |
| 0727 | FUSE 250V 1.25A - TEMPORIZED   | 61003635    |      | •  | • | • |   |   |   |   |   |   |    |    |    |    |    |    |    |    |    |
| 0728 | FUSE 250V 0.315A - TEMPORIZED  | 61307845    |      | •  | • | • |   |   |   |   |   |   |    |    |    |    |    |    |    |    |    |
| 0730 | CABLAGGIO D ALIMENTAZIONE      | 61311903    |      | •  | • | • |   |   |   |   |   |   |    |    |    |    |    |    |    |    |    |
| 0731 | CABLE                          | 61305217    |      | •  | • |   |   |   |   |   |   |   |    |    |    |    |    |    |    |    |    |
| 0732 | CABLE                          | 61310977    |      |  |   | • |   |   |   |   |   |   |    |    |    |    |    |    |    |    |    |
| 0733 | WIRE ASSEMBLY                  | 61310948    |      |  |   | • |   |   |   |   |   |   |    |    |    |    |    |    |    |    |    |
|      | WIRE ASSEMBLY                  | 61310950    |      | •  |   |   |   |   |   |   |   |   |    |    |    |    |    |    |    |    |    |
|      | WIRE ASSEMBLY                  | 61311905    |      |  |   | • |   |   |   |   |   |   |    |    |    |    |    |    |    |    |    |
| 0734 | EARTH WIRE                     | 61305498    |      | •  | • | • |   |   |   |   |   |   |    |    |    |    |    |    |    |    |    |
| 0735 | EARTH WIRE                     | 61303360    |      | •  | • | • |   |   |   |   |   |   |    |    |    |    |    |    |    |    |    |
| 0736 | INTERCONNECTION CABLE          | 61312117    |      | •  | • | • |   |   |   |   |   |   |    |    |    |    |    |    |    |    |    |
| 0737 | BLACK SHUNT                    | 61400030    |      | •  | • | • |   |   |   |   |   |   |    |    |    |    |    |    |    |    |    |
| 0738 | CONTACT SOCKET CONNECTOR 3 P.  | 61003209    |      | •  | • | • |   |   |   |   |   |   |    |    |    |    |    |    |    |    |    |

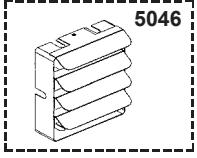
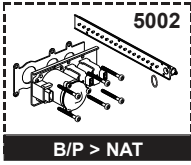
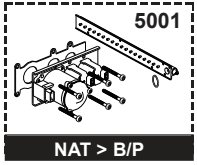








5000





BALIXIA 24 CF  
BALIXIA 24 VMC  
BALIXIA 24 FF

31

|      | Description              | Manf. Pt. N | Type | 1 | 2 | 3 | 4 | 5 | 6 | 7 | 8 | 9 | 10 | 11 | 12 | 13 | 14 | 15 | 16 | 17 | 18 |
|------|--------------------------|-------------|------|---|---|---|---|---|---|---|---|---|----|----|----|----|----|----|----|----|----|
| 5000 | ACCESSORIES              |             |      |   |   |   |   |   |   |   |   |   |    |    |    |    |    |    |    |    |    |
| 5001 | CONVERSION KIT NAT > LPG | 61306185    |      | • | • |   |   |   |   |   |   |   |    |    |    |    |    |    |    |    |    |
|      | CONVERSION KIT NAT > LPG | 61306186    |      |   |   | • |   |   |   |   |   |   |    |    |    |    |    |    |    |    |    |
| 5002 | CONVERSION KIT LPG > NAT | 61306762    |      | • | • |   |   |   |   |   |   |   |    |    |    |    |    |    |    |    |    |
|      | CONVERSION KIT LPG > NAT | 61306763    |      |   |   | • |   |   |   |   |   |   |    |    |    |    |    |    |    |    |    |
| 5046 | DEFLECTOR 30DEG KIT      | 61014810    |      |   |   | • |   |   |   |   |   |   |    |    |    |    |    |    |    |    |    |

## LIST OF THE ABBREVIATIONS

|             |  |
|-------------|--|
| HW .....    | : Hot water.                                   |
| CW .....    | : Cold water.                                  |
| C .....     | : Ceramic resistance (normal heating).         |
| Ca .....    | : Ceramic resistance (accelerated heating)     |
| TP .....    | : Immersion heater.                            |
| 1F .....    | : With fittings.                               |
| 2F .....    | : Without fittings.                            |
| 3F .....    | : With fittings and another outlet connection. |
| AMI .....   | : With mixing valve.                           |
| SMI .....   | : Without mixing valve.                        |
| PUISS ..... | : Power of th appliance.                       |
| PN .....    | : Appliance with normal pression.              |
| LP .....    | : Appliance with low pression.                 |
| PV .....    | : Appliance with variable power.               |
| PF .....    | : Appliance with fixed power.                  |

## IDENTIFICATION PLATE

### SERIAL NUMBER

|                             |                           |                                   |  |
|-----------------------------|---------------------------|-----------------------------------|--|
| <b>10 Characters :</b>      | 04 05 125 011             |                                   |  |
|                             |                           | Sequential number                 |  |
|                             |                           | Manufacturing day                 |  |
|                             |                           | Year of manufacture               |  |
| <b>11 Characters :</b>      | 1 95 065004 - 31          |                                   |  |
| Month of manufacture :      |                           | Technical number of the appliance |  |
| from 1 to 9 → Jan. to Sep., |                           | Sequential number                 |  |
| O → Oct., N → Nov.,         |                           | Year of manufacture               |  |
| D → Dec.                    |                           |                                   |  |
| <b>19 Characters :</b>      | 08 05 0013199 900640031   |                                   |  |
| Year of manufacture         |                           | Product reference                 |  |
| Month of manufacture        |                           | Sequential number                 |  |
| <b>20 Characters :</b>      | 3675007 XX 2 07 070 00315 |                                   |  |
| Product reference           |                           | Sequential number                 |  |
| Millenium of manufacture    |                           | Manufacturing day                 |  |
|                             |                           | Year of manufacture               |  |
| <b>21 Characters :</b>      | 3675007 XX 07 070 0000315 |                                   |  |
| Product reference           |                           | Sequential number                 |  |
| Year of manufacture         |                           | Manufacturing day                 |  |

The indications mentioned on the prices, commercial or technical literature and the scheme are written for your guidance and are available at a given time. The CONSTRUCTOR retains the power to modify the presentation, the form, the size, the conception or the material of the products.