

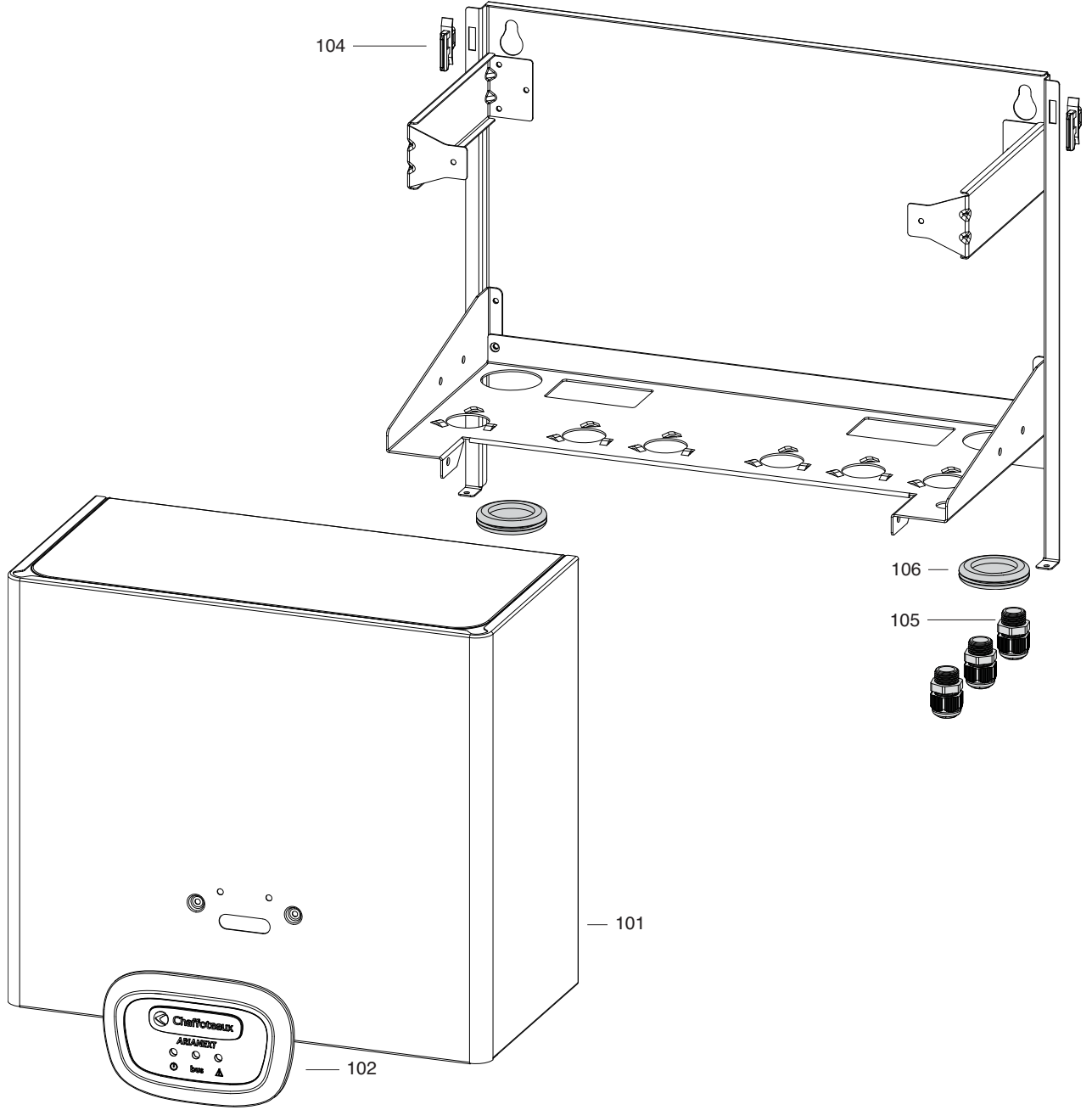
SPARE PARTS EXPLODED VIEW
ACCESSORIES FOR HYDRAULIK

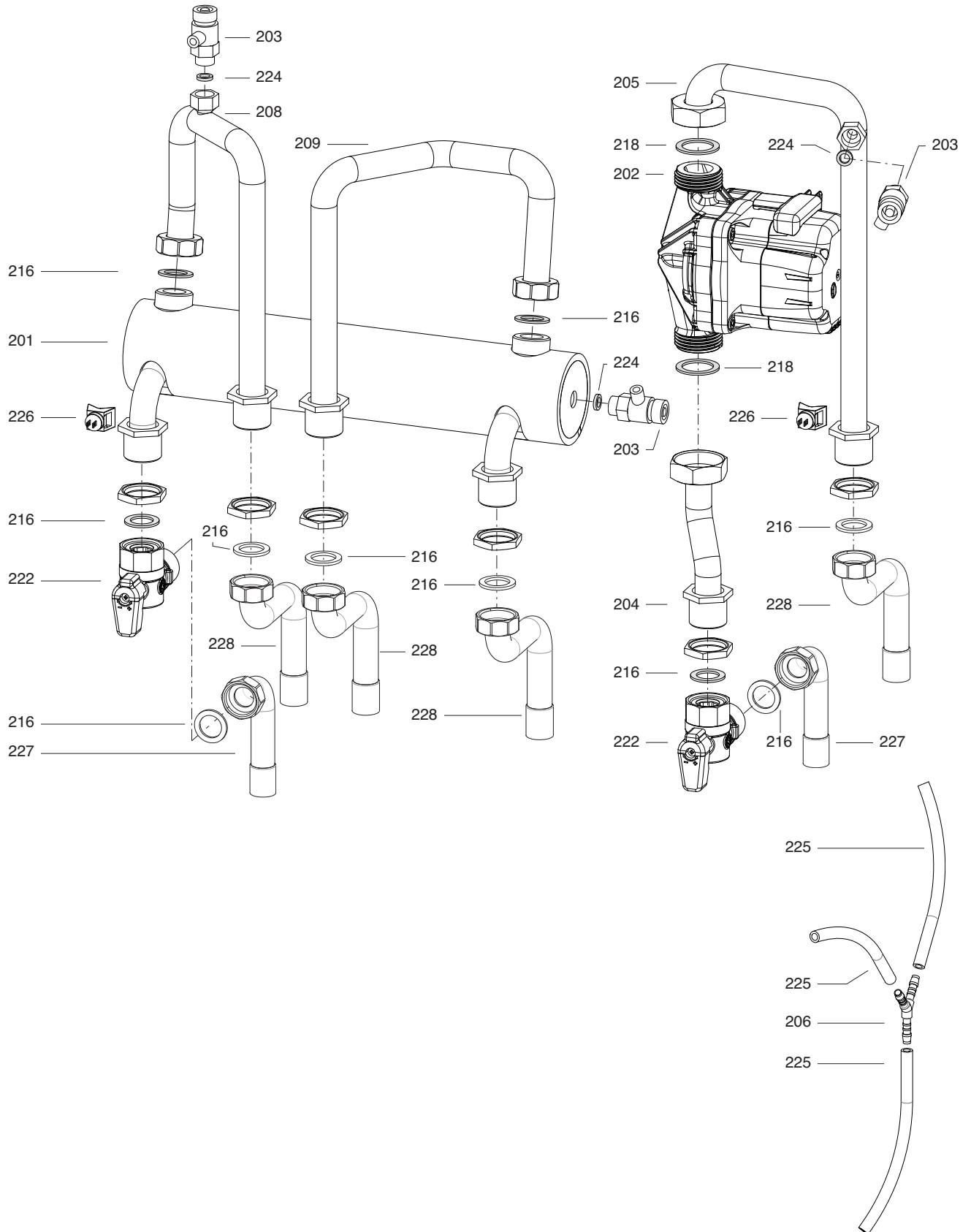
Model

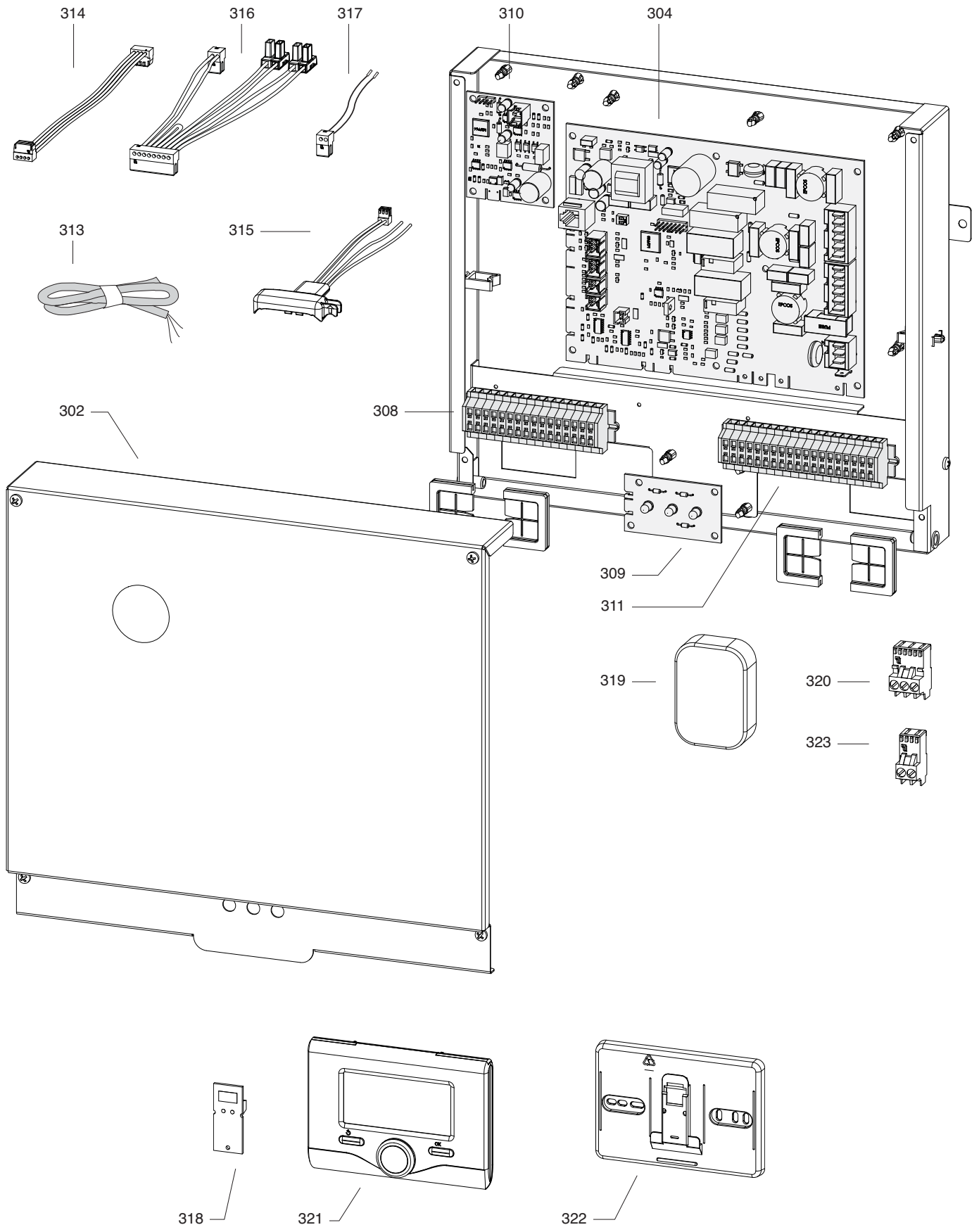
ARIANEXT HYBRID MODULE UNIVERSAL

R8217526-02 - 15/04/2016

1	3318979	ARIANEXT HYBRID MODULE UNIVERSAL	04-2016	-
Col	Reference	Model type	Begin	End







④⇒	Description	Manf. Pt. N	Type																			From	to				
				1	2	3	4	5	6	7	8	9	10	11	12	13	14	15	16	17	18						
0300	ELECTRICAL BOX																										
0302	CONTROL BOX (FRONT)	65115226		•																							
0304	HYBRID EVO MANAGER	65115227		•																							
0308	WIRING (HIGH VOLTAGE) TERMINAL BLOCK	65115229		•																							
0309	PC.B. (LED)	65113482		•																							
0310	PC.B. (EBUS2-RS485)	65113479		•																							
0311	WIRING (LOW VOLTAGE) TERMINAL BLOCK	65115230		•																							
0313	CABLE (POWER SUPPLY)	65115228		•																							
0314	WIRING (LED P.C.B.)	65113493		•																							
0315	CABLE (PUMP)	65115231		•																							
0316	CABLE (INTERNAL PROBES)	65115232		•																							
0317	CABLE (EBUS EM-BOILER)	65115233		•																							
0318	P.C.B. CONNECTOR	65112042		•																							
0319	EXTERNAL SENSOR WIRED GAL EVO	65112215		•																							
0320	3-WAY-CONNECTOR LUMB. 3611	65113904		•																							
0321	SYSTEM INTERFACE	65112083-03		•																							
0322	WALL PLATE	65112824		•																							
0323	2-WAY-CONNECTOR LUMB. 3611 02 F02 K12	65113324		•																							

LIST OF THE ABBREVIATIONS

HW	: Hot water.
CW	: Cold water.
C	: Ceramic resistance (normal heating).
Ca	: Ceramic resistance (accelerated heating)
TP	: Immersion heater.
1F	: With fittings.
2F	: Without fittings.
3F	: With fittings and another outlet connection.
AMI	: With mixing valve.
SMI	: Without mixing valve.
PUISS	: Power of th appliance.
PN	: Appliance with normal pression.
LP	: Appliance with low pression.
PV	: Appliance with variable power.
PF	: Appliance with fixed power.

The indications mentioned on the prices, commercial or technical literature and the scheme are written for your guidance and are available at a given time. The CONSTRUCTOR retains the power to modify the presentation, the form, the size, the conception or the material of the products.
