

SPARE PARTS EXPLODED VIEW GAS WALL BOILERS

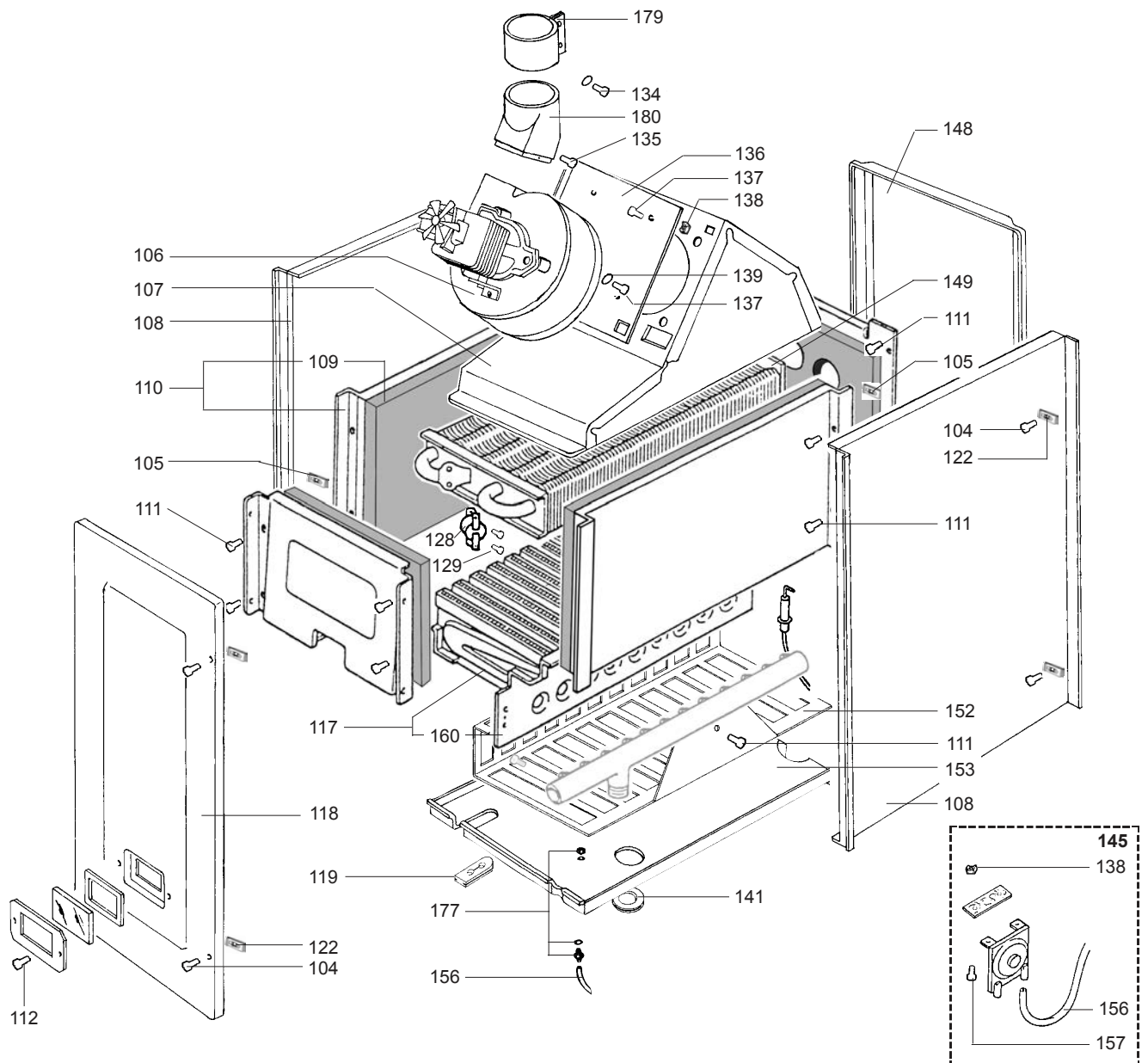
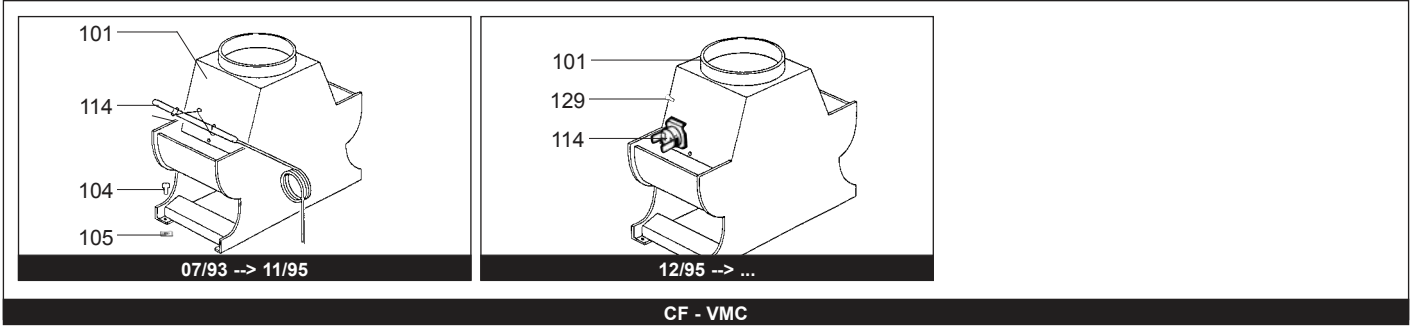
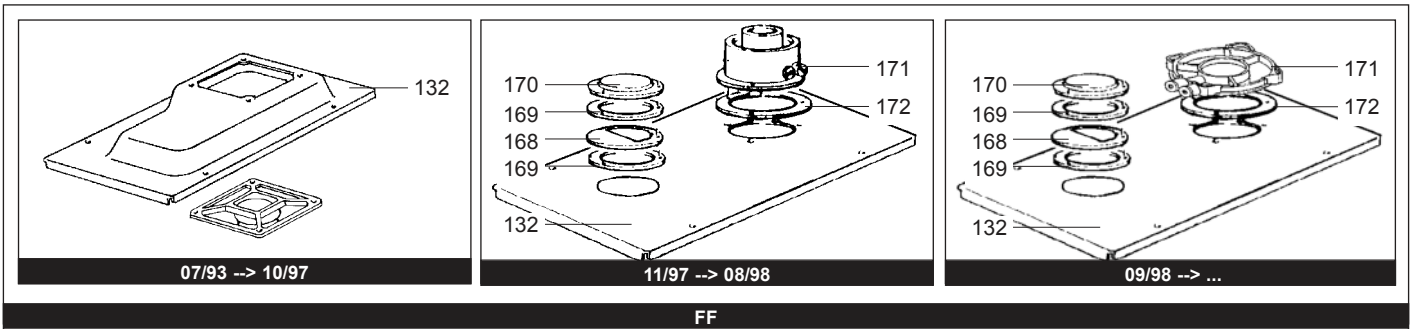
Model

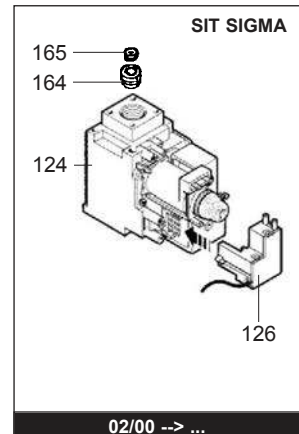
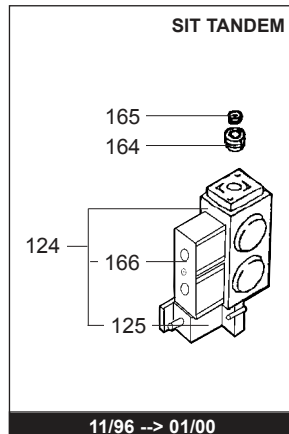
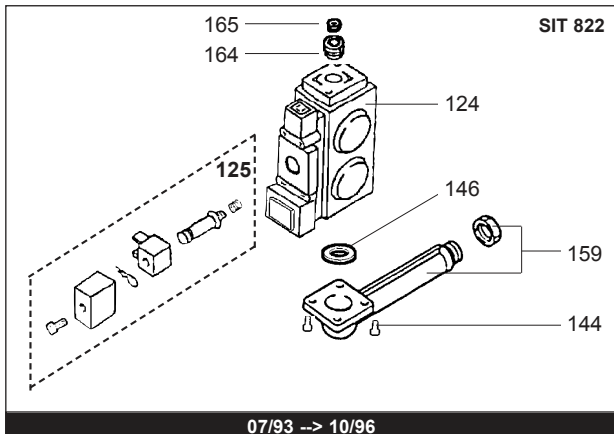
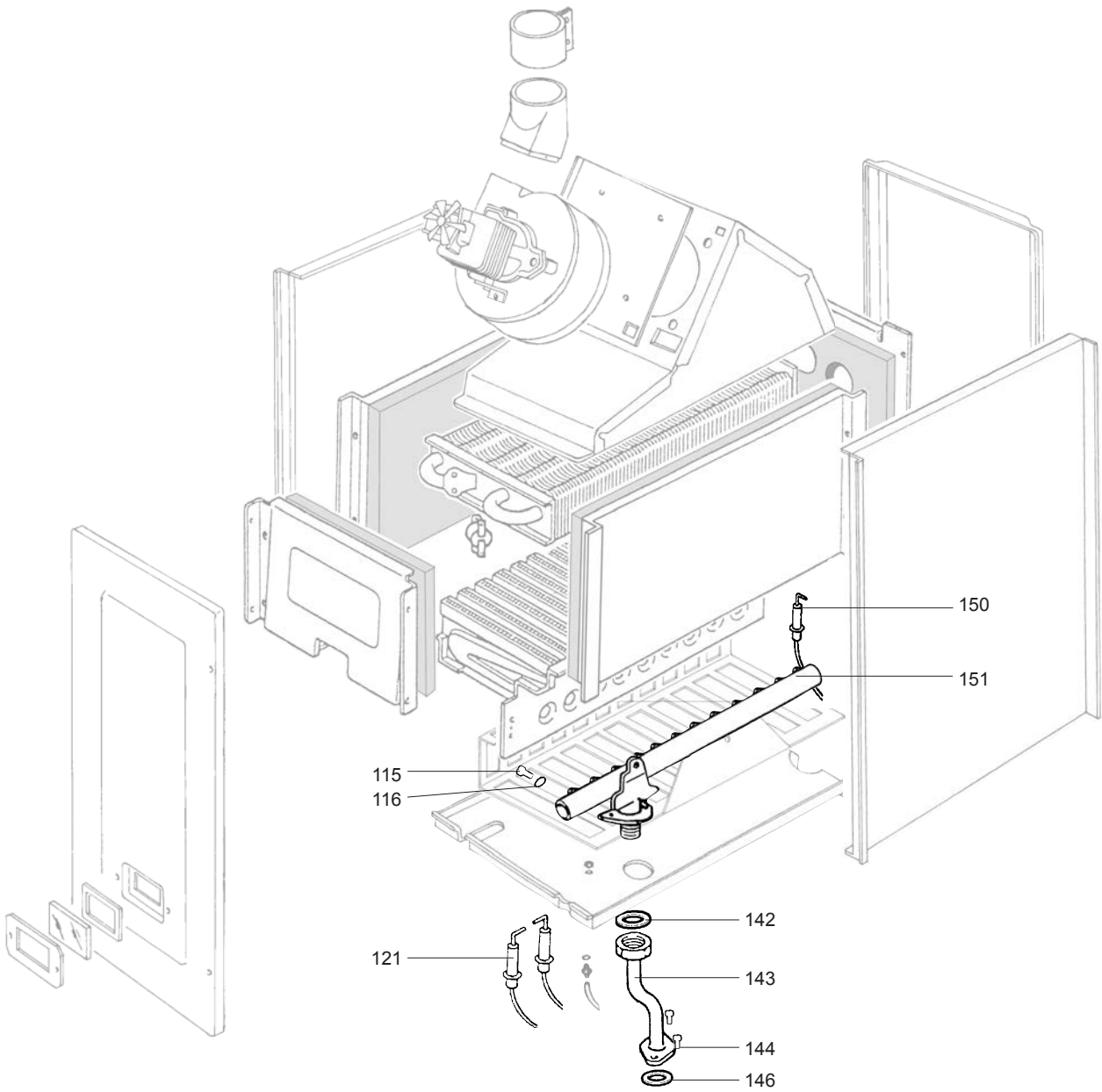
NIAGARA

R8202218-07 - 21/03/2012

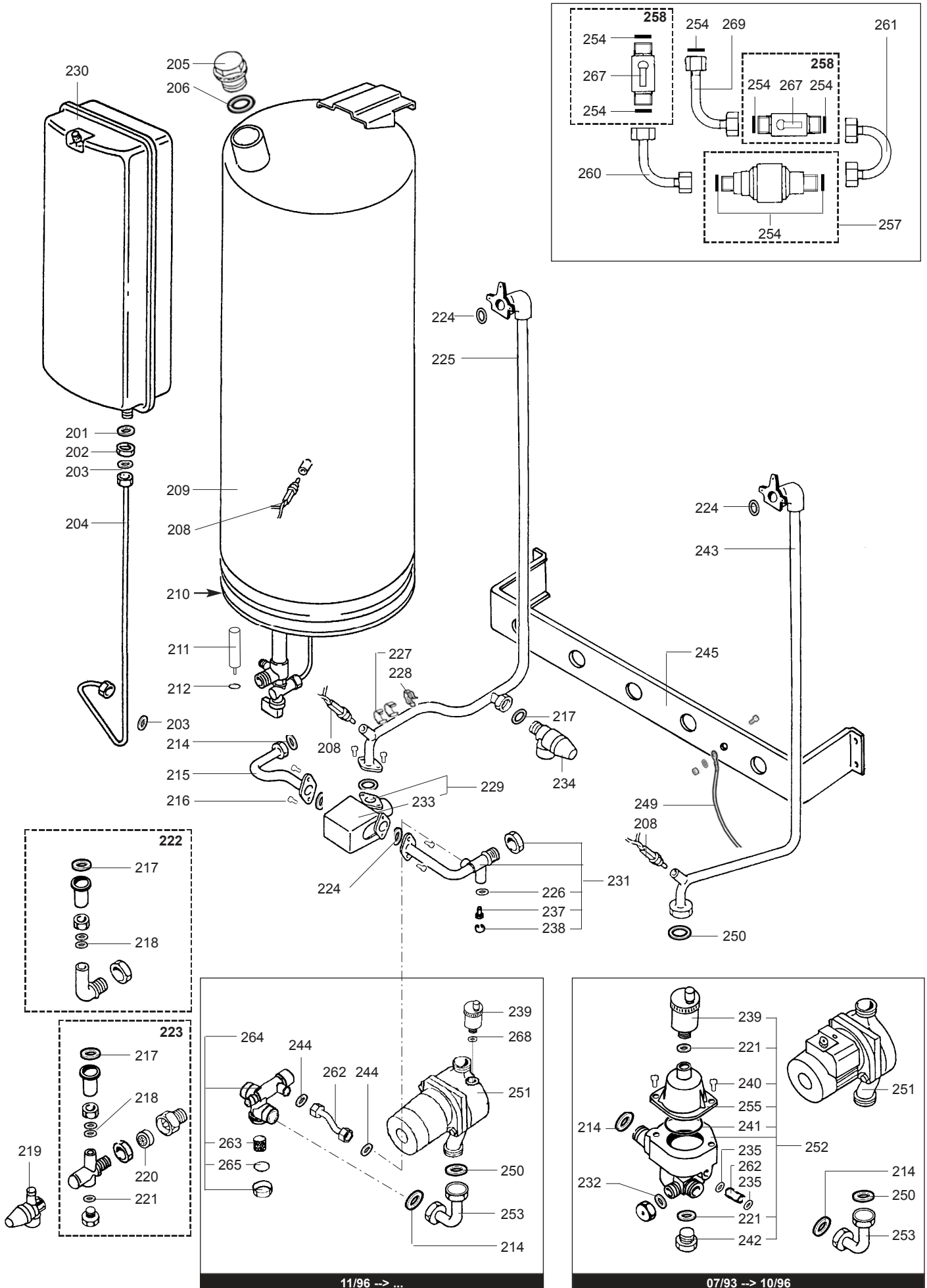
1	245831	NIAGARA 28 CF NAT	07/93	10/96
1	800245831	NIAGARA 28 CF NAT	11/96	08/98
1	800249131	NIAGARA 28 CF NAT	09/98	12/01
1	245821	NIAGARA 28 CF B/P	07/93	10/96
1	800245821	NIAGARA 28 CF B/P	11/96	08/98
1	800249121	NIAGARA 28 CF B/P	09/98	12/01
2	245837	NIAGARA 28 FF NAT	09/93	10/96
2	800245837	NIAGARA 28 FF NAT	11/96	10/97
2	800245838	NIAGARA 28 FF NAT	11/97	08/98
2	800249138	NIAGARA 28 FF NAT	09/98	12/01
2	245827	NIAGARA 28 FF B/P	09/93	10/96
2	800245827	NIAGARA 28 FF B/P	11/96	10/97
2	800245828	NIAGARA 28 FF B/P	11/97	08/98
2	800249128	NIAGARA 28 FF B/P	09/98	12/01
3	245731	NIAGARA 23 CF NAT	12/95	10/96
3	800245731	NIAGARA 23 CF NAT	11/96	08/98
3	800247731	NIAGARA 23 CF NAT	09/98	12/01
3	245721	NIAGARA 23 CF B/P	12/95	10/96
3	800245721	NIAGARA 23 CF B/P	11/96	08/98
3	800247721	NIAGARA 23 CF B/P	09/98	12/01
4	245736	NIAGARA 23 VMC NAT	12/95	10/96
4	800245736	NIAGARA 23 VMC NAT	11/96	08/98
4	800247736	NIAGARA 23 VMC NAT	09/98	12/01
5	800245737	NIAGARA 23 FF NAT	11/96	10/97
5	800245738	NIAGARA 23 FF NAT	11/97	08/98
5	800247738	NIAGARA 23 FF NAT	09/98	12/01
5	800245727	NIAGARA 23 FF B/P	11/96	10/97
5	800245728	NIAGARA 23 FF B/P	11/97	08/98
5	800247728	NIAGARA 23 FF B/P	09/98	12/01

Col	Reference	Model type	Begin	End
-----	-----------	------------	-------	-----





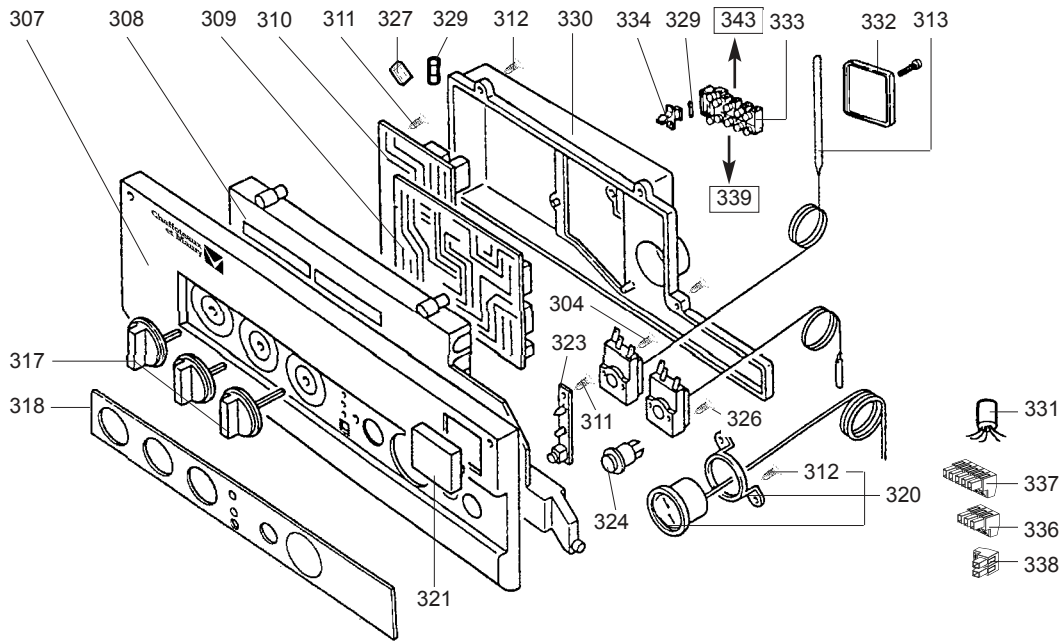
☉⇒	Description	Manf. Pt. N	Type	<div style="display: flex; justify-content: space-between; align-items: center;"> <div style="transform: rotate(-45deg); font-size: small;"> NIAGARA 28 CF NIAGARA 28 FF NIAGARA 23 CF NIAGARA 23 MMC NIAGARA 23 FF </div> <div style="border: 1px solid black; padding: 2px;">31</div> </div>																	
				1	2	3	4	5	6	7	8	9	10	11	12	13	14	15	16	17	18
0100	BURNER ASSEMBLY																				
0115	SCREW M 4-8	60084046		•	•	•	•	•													
0116	FAN WASHER D: 4	60028466-03		•	•	•	•	•													
0121	IGNITION ELECTRODE	60084018		•														07/93	11/95		
	IGNITION ELECTRODE ASSY	60084496		•	•	•	•	•										12/95	04/01		
	IGNITION ELECTRODE ASSY	60084497		•														07/93	11/95		
	IGNITION ELECTRODE ASSY	60084661		•	•	•	•	•										05/01			
0124	CABLE (/ Gas valve)	60084058		•	•	•	•	•										07/93	10/96		
	GAS VALVE 'SIT 822'	60084296		•	•	•	•	•										07/93	10/96		
	GAS VALVE 'SIT TANDEM'	60084524		•	•	•	•	•										11/96	01/00		
	CABLE (/ Gas valve)	60084537		•	•	•	•	•										11/96	01/00		
	GAS VALVE 'SIT SIGMA'	60084620		•	•	•	•	•										02/00			
	CABLE (/ Gas valve)	60084624		•	•	•	•	•										02/00			
0125	CABLE (/ Modulator)	60084061		•	•	•	•	•										07/93	10/96		
	MODULATOR KIT	60084297		•	•	•	•	•										07/93	10/96		
	MODULATOR KIT	60084525		•	•	•	•	•										11/96	01/00		
	CABLE (/Therm.-safety-modula.)	60084543		•	•	•	•	•										11/96	01/00		
	CABLE (/Therm.-safety-modula.)	60084625		•	•	•	•	•										02/00			
0126	IGNITER	60084649		•	•	•	•	•										05/01			
0142	GASKET D: 16.1-1.6	60084053		•	•	•	•	•										07/93	10/96		
	GASKET D: 24-17-2	60084259		•	•	•	•	•										11/96			
0143	TUBE (Mani.>Gas section)	60084508		•	•	•	•	•										11/96			
	TUBE D:16 (Mani.>Gas section)	60084220	B/P	•	•													07/93	11/95		
	TUBE (Mani.>Gas section)	60084285	B/P	•	•	•												12/95	10/96		
	TUBE D:5.5 (Mani.>Gas section)	60084054	NAT	•														07/93	11/95		
	TUBE D:5.7 (Mani.>Gas section)	60084185	NAT	•														07/93	11/95		
	TUBE (Mani.>Gas section)	60084285	NAT	•	•	•	•	•										12/95	10/96		
0144	SCREW M 5-10	60084055		•	•	•	•	•													
0146	GASKET D: 28.2-2.6	60084056		•	•	•	•	•										07/93	10/96		
	GASKET D: 22.2-2.6	60084509		•	•	•	•	•										11/96			
0150	IONIZATION ELECTRODE	60084019		•	•													07/93	11/95		
	IONIZATION ELECTRODE	60084282		•	•	•	•	•										12/95	04/01		
	IONIZATION ELECTRODE	60084662		•	•	•	•	•										05/01			
0151	MANIFOLD D: 0.69 LPG	60084304	B/P	•	•	•	•	•										12/95			
	MANIFOLD D: 1.30 NAT	60084051	NAT	•														07/93	11/95		
	MANIFOLD D: 1.18 NAT	60084283	NAT	•	•	•	•	•										12/95			
	MANIFOLD D: 1.30 NAT	60084284	NAT	•														12/95			
0159	GAS TUBE	60084067		•	•	•	•	•										07/93	10/96		
	GAS TUBE	60084526		•	•	•	•	•										11/96			
0164	NUT	60084309		•	•	•	•	•										12/95			
0165	GAS RESTRICTOR D: 3.30	60084319	B/P			•		•										12/95			
	GAS RESTRICTOR D: 4.60	60084310	NAT	•														12/95	01/00		
	GAS RESTRICTOR D: 5.10	60084311	NAT	•														12/95	01/00		
	GAS RESTRICTOR D: 4.30	60084312	NAT			•	•	•										12/95	01/00		
	GAS RESTRICTOR D: 4.40	60084626	NAT	•														02/00			
	GAS RESTRICTOR D: 4.90	60084627	NAT	•														02/00			
	GAS RESTRICTOR D: 4.10	60084628	NAT			•	•	•	•									02/00			
0166	SOLENOID VALVES	60084542		•	•	•	•	•										11/96	01/00		



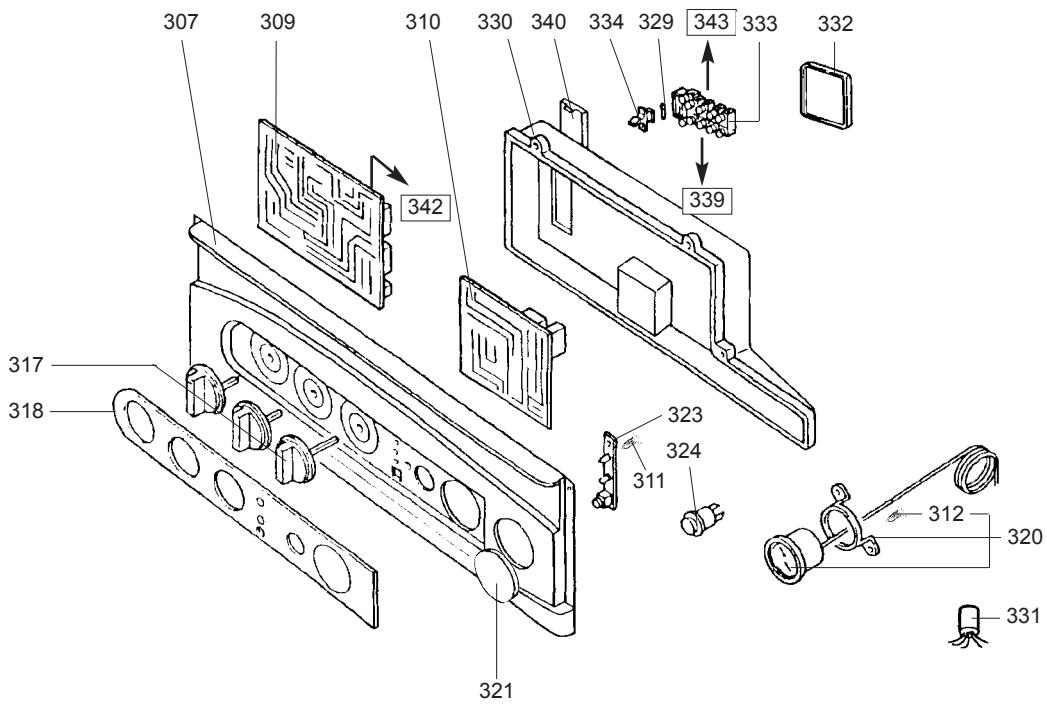
11/96 -> ...

07/93 -> 10/96

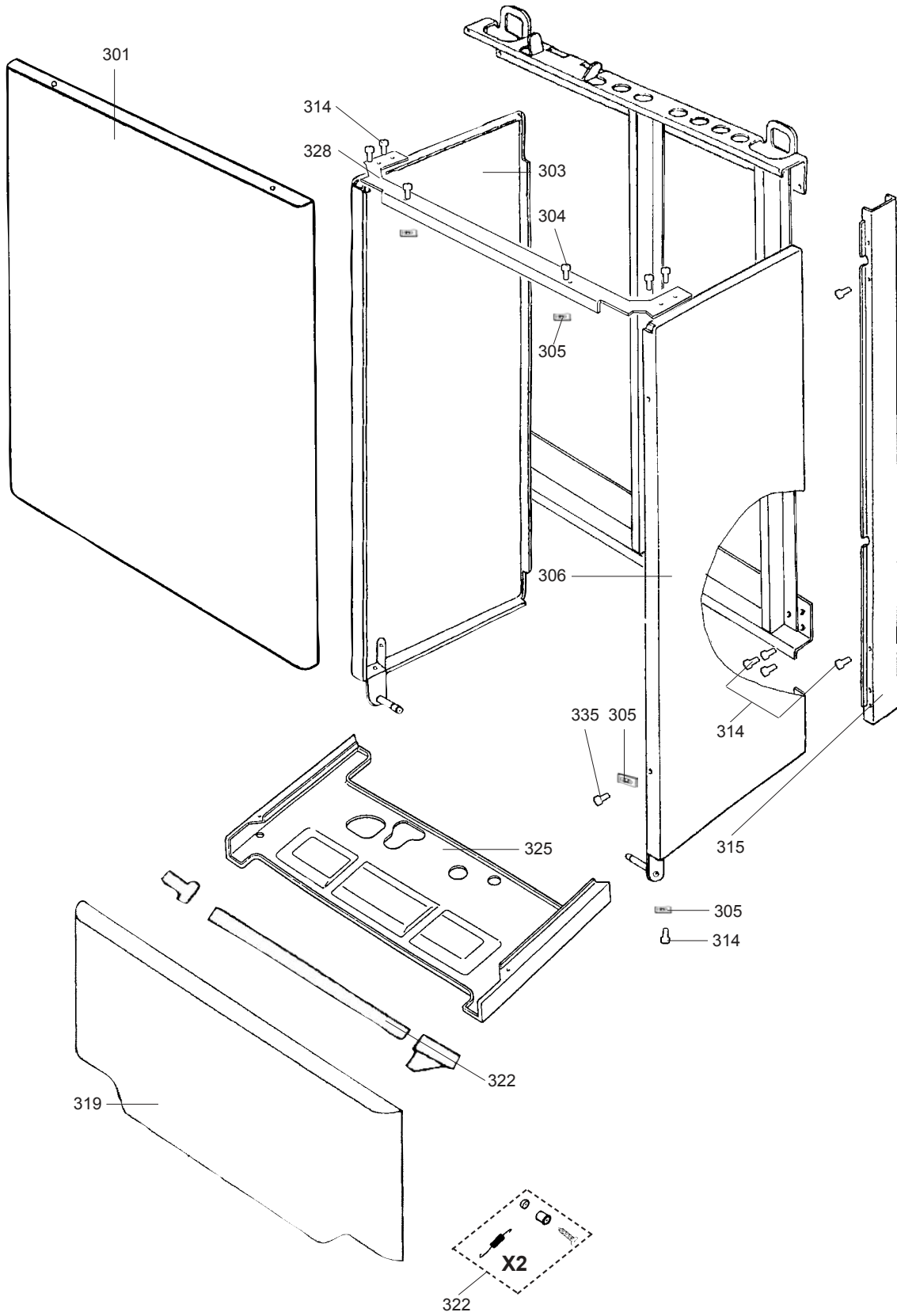
☉→	Description	Manf. Pt. N	Type																		
				1	2	3	4	5	6	7	8	9	10	11	12	13	14	15	16	17	18
0200	COCKS & COPPER PLATE																				
0201	FAN WASHER	60084075		●	●	●	●														
0202	NUT	60084076		●	●	●	●														
0203	GASKET	60084637		●	●	●	●														
0204	TUBE (Expan vessel > Fil. tap)	60084078		●	●	●	●														
0205	PLUG	60084079		●	●	●	●														
0206	O-RING D: 26.64-2.62	60084080		●	●	●	●										07/93	11/95			
0208	THERMISTOR TEMPERATURE SENSOR	60084021		●	●	●	●										07/93	11/95			
	CABLE (/ Thermistor tem. sen.)	60084082		●	●	●	●										07/93	10/96			
	CABLE (/Therm.-safety-modula.)	60084543		●	●	●	●										11/96	01/00			
	CABLE (/Therm.-safety-modula.)	60084625		●	●	●	●										02/00				
0209	HOT WATER TANK 60L	60084083		●	●	●	●														
0210	GASKET	60084001		●	●	●	●														
0211	ANODE 22X200 M8	319521		●	●	●	●														
0212	O-RING	289442		●	●	●	●														
0214	GASKET	60084087		●	●	●	●										07/93	10/96			
	GASKET D: 24-17-2	60084259		●	●	●	●										11/96				
0215	TUBE	60084088		●	●	●	●														
0216	SCREW M 5-10	60084055		●	●	●	●														
0217	GASKET D:18-12-2	60084258		●	●	●	●														
0218	GASKET D:13.94-2.62	60084093		●	●	●	●														
0219	PRESSURE RELIEF VALVE 7 BARS	60084218		●	●	●	●														
0220	FLOW REGULATORE 12L/MN	60084011		●	●	●	●														
	FLOW REGULATORE 10L/MN	60084571		●	●	●	●														
0221	GASKET D: 16.1-1.6	60084053		●	●	●	●														
0222	CONNECTION KIT	60084107		●	●	●	●														
0223	CONNECTION KIT	60084109		●	●	●	●														
0224	GASKET D: 22-3	60084089		●	●	●	●														
0225	TUBE (Valve > Heat exchanger)	60084112		●	●	●	●														
0226	GASKET	60084638		●	●	●	●														
0227	CLIP	60078502		●	●	●	●										07/93	10/96			
0228	CLIP	60084124		●	●	●	●														
0229	THREE-WAY VALVE ASSY	60084007		●	●	●	●														
0230	HEATING EXPANSION VESSEL	60084074		●	●	●	●														
0231	TUBE (Valve > Rod)	60084102		●	●	●	●														
0232	SHEET GASKET D: 11-5-1.5	60061853-07		●	●	●	●														
0233	MOTOR - THREE-WAY VALVE	60084618		●	●	●	●														
0234	PRESSURE RELIEF VALVE 3 BARS	60084009		●	●	●	●														
0235	GASKET	60084101		●	●	●	●														
0237	BY-PASS	60084104		●	●	●	●														
0238	CIRCLIPS	60084105		●	●	●	●														
0239	AIR SEPARATOR	60084002		●	●	●	●										07/93	10/96			
	AIR SEPARATOR	60084512		●	●	●	●										11/96				
0240	SCREW M 5-12	60084106		●	●	●	●										07/93	10/96			
0241	GASKET D: 56.8-2.62	60084108		●	●	●	●										07/93	10/96			
0242	PLUG	60084099		●	●	●	●										07/93	10/96			
0243	TUBE (Motor > Heat exchanger)	60084114		●	●	●	●										07/93	08/98			
	TUBE (Motor > Heat exchanger)	60084588		●	●	●	●										09/98				
0244	GASKET	60084637		●	●	●	●														
0245	VALVES & FITTINGS ROD ASSY	60084115		●	●	●	●														
0249	EARTH WIRE	60084119		●	●	●	●														
0250	GASKET	60084400		●	●	●	●														
0251	PUMP	60084028		●	●	●	●										07/93	10/96			
	CABLE (/ Pump)	60084121		●	●	●	●														
	PUMP	60084513		●	●	●	●										11/96				
0252	AIR SEPARATOR ASSEMBLY	60084110		●	●	●	●										07/93	10/96			
0253	TUBE (Pump > Collector)	60084122		●	●	●	●										07/93	10/96			
	TUBE (Pump > Collector)	60084527		●	●	●	●										11/96				
0254	GASKET	60084222		●	●	●	●														
0255	AIR SEPAPATOR COVER	60084612		●	●	●	●										07/93	10/96			
0257	DISCONNECTOR KIT	60084617		●	●	●	●														
0258	TAP KIT	60084226		●	●	●	●														
0260	TUBE (Tap > Disconnecter)	60084228		●	●	●	●														
0261	TUBE (Tap > Disconnecter)	60084229		●	●	●	●														
0262	BYPASS TUBE	60084528		●	●	●	●										11/96				
	BYPASS TUBE	60084572		●	●	●	●										07/93	10/96			
0263	FILTER	60084529		●	●	●	●										11/96				
0264	CONNECTION	60084609		●	●	●	●														
0265	GASKET	60084531		●	●	●	●										11/96				
0267	TAP KNOB	60084325		●	●	●	●														
0268	GASKET D: 14-1.78	60084511		●	●	●	●														
0269	TUBE (Tap > Disconnecter)	61400138		●	●	●	●														



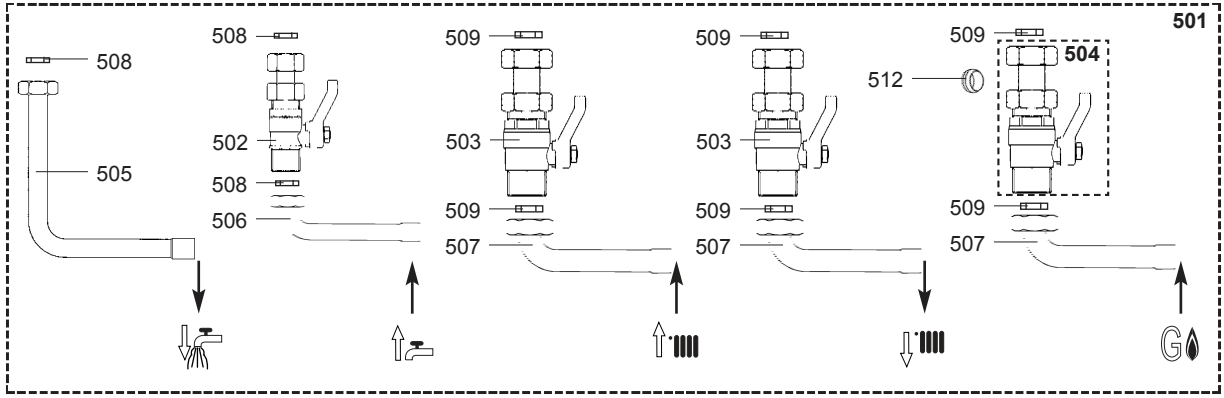
07/93 --> 08/98



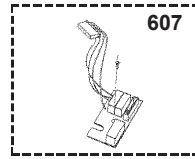
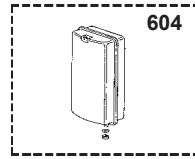
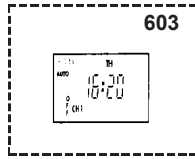
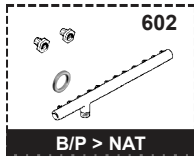
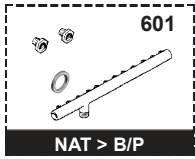
09/98 --> ...



500



600



☉⇒	Description	Manf. Pt. N	Type	<div style="display: flex; justify-content: space-between; font-size: small;"> NIAGARA 28 CF NIAGARA 28 FF NIAGARA 23 CF NIAGARA 23 MMC </div>																		31
				1	2	3	4	5	6	7	8	9	10	11	12	13	14	15	16	17	18	
0500	JIG PLATE & PIPE FITTING																					
0501	CONNECTION KIT	61017396		•	•	•	•	•														
0502	COLD WATER SERVICE TAP KIT	60084250		•	•	•	•	•														
0503	WATER FLOW & RETURN SERVI. TAP	60084251		•	•	•	•	•														
0504	GAS SERVICE TAP KIT	60084252		•	•	•	•	•														
0505	HOT WATER PIPE	60084253		•	•	•	•	•														
0506	COLD WATER PIPE	60084254		•	•	•	•	•														
0507	WATER FLOW & RETURN-GAS PIPE	60084255		•	•	•	•	•														
0508	GASKET D:18-12-2	60084258		•	•	•	•	•														
0509	GASKET D: 24-17-2	60084259		•	•	•	•	•														
0512	COMPRESSION OLIVE D: 18	60001095		•	•	•	•	•														
0600	ACCESSORIES																					
0601	CONVERSION KIT NAT > LPG	60084149		•	•															07/93	11/95	
	CONVERSION KIT NAT > LPG	60084314		•	•															12/95	01/00	
	CONVERSION KIT NAT > LPG	60084321				•		•												12/95	01/00	
	CONVERSION KIT NAT > LPG	61303170		•	•															02/00		
	CONVERSION KIT NAT > LPG	61303171				•		•												02/00		
0602	CONVERSION KIT BUT/PROP > NAT	60084150		•																07/93	11/95	
	CONVERSION KIT BUT/PROP > NAT	60084207			•															07/93	11/95	
	CONVERSION KIT BUT/PROP > NAT	60084315		•																12/95	01/00	
	CONVERSION KIT BUT/PROP > NAT	60084316			•															12/95	01/00	
	CONVERSION KIT BUT/PROP > NAT	60084322				•		•												12/95	01/00	
	CONVERSION KIT BUT/PROP > NAT	61303550		•																02/00		
	CONVERSION KIT BUT/PROP > NAT	61303551			•															02/00		
	CONVERSION KIT BUT/PROP > NAT	61303552				•		•												02/00		
0603	DIGITAL TIMECLOCK	61008962		•	•	•	•	•												07/93	08/98	
	MECANICAL TIMECLOCK	61016745		•	•	•	•	•												09/98		
0604	EXPANSION VESSEL KIT	61008966		•	•	•	•	•														
0607	PHASE INSULATOR KIT	60084619		•	•	•	•	•												11/96	08/98	

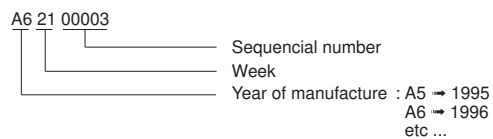
LIST OF THE ABBREVIATIONS

HW	: Hot water.
CW	: Cold water.
C	: Ceramic resistance (normal heating).
Ca	: Ceramic resistance (accelerated heating)
TP	: Immersion heater.
1F	: With fittings.
2F	: Without fittings.
3F	: With fittings and another outlet connection.
AMI	: With mixing valve.
SMI	: Without mixing valve.
PUISS	: Power of th appliance.
PN	: Appliance with normal pression.
LP	: Appliance with low pression.
PV	: Appliance with variable power.
PF	: Appliance with fixed power.

IDENTIFICATION PLATE

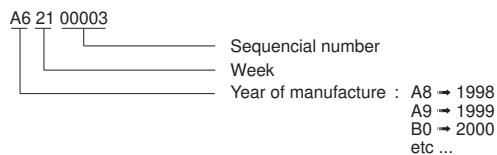
SERIAL NUMBER

9 Characters :

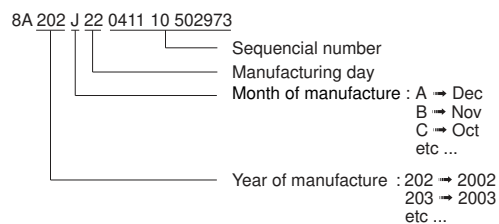


OR

9 Characters :



20 Characters :



The indications mentioned on the prices, commercial or technical literature and the scheme are written for your guidance and are available at a given time. The CONSTRUCTOR retains the power to modify the presentation, the form, the size, the conception or the material of the products.