



SPARE PARTS EXPLODED VIEW SOLARSYSTEM

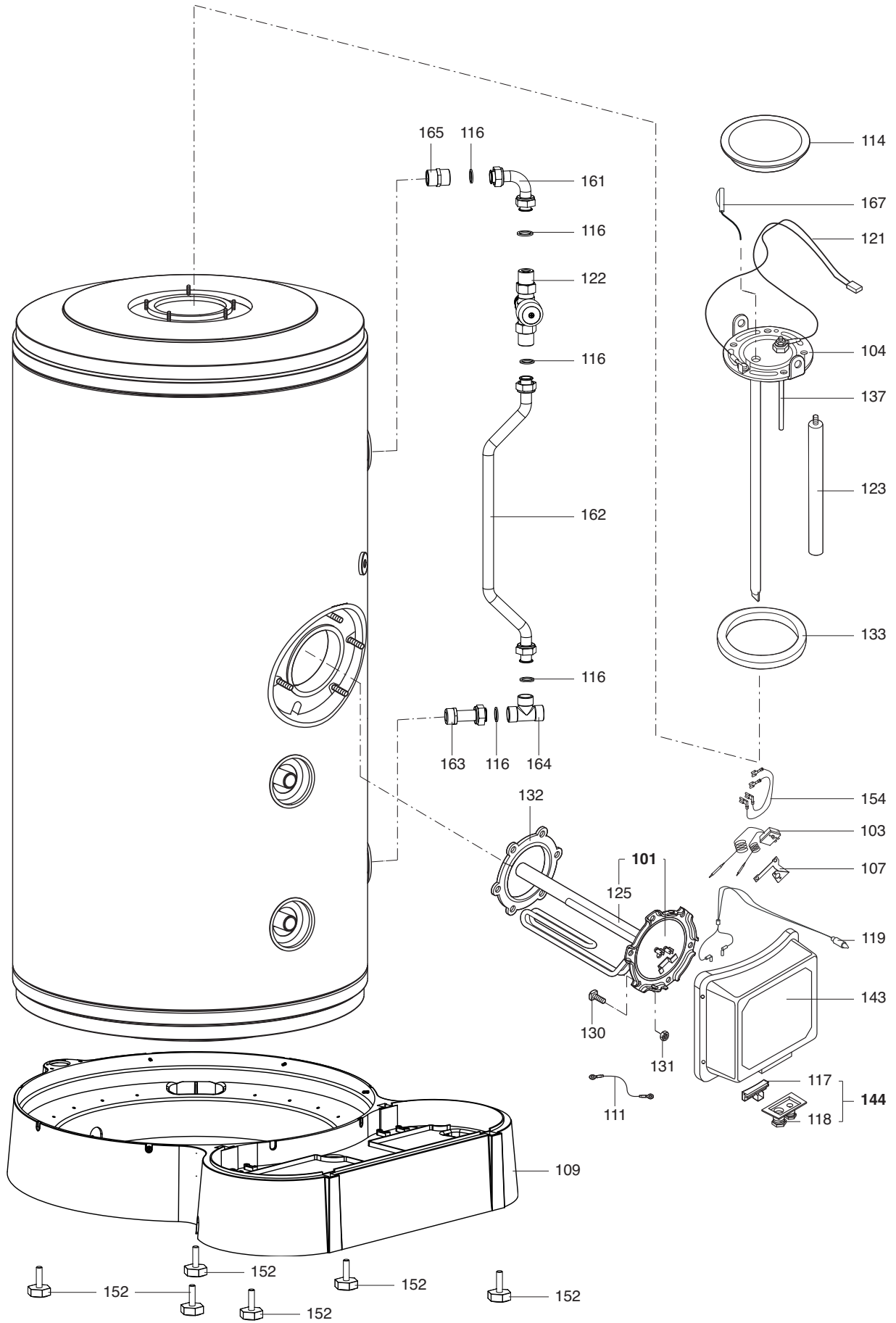
Model

ZELIOS MACC 1S/2S - 1SC/2SC - 1SC-E

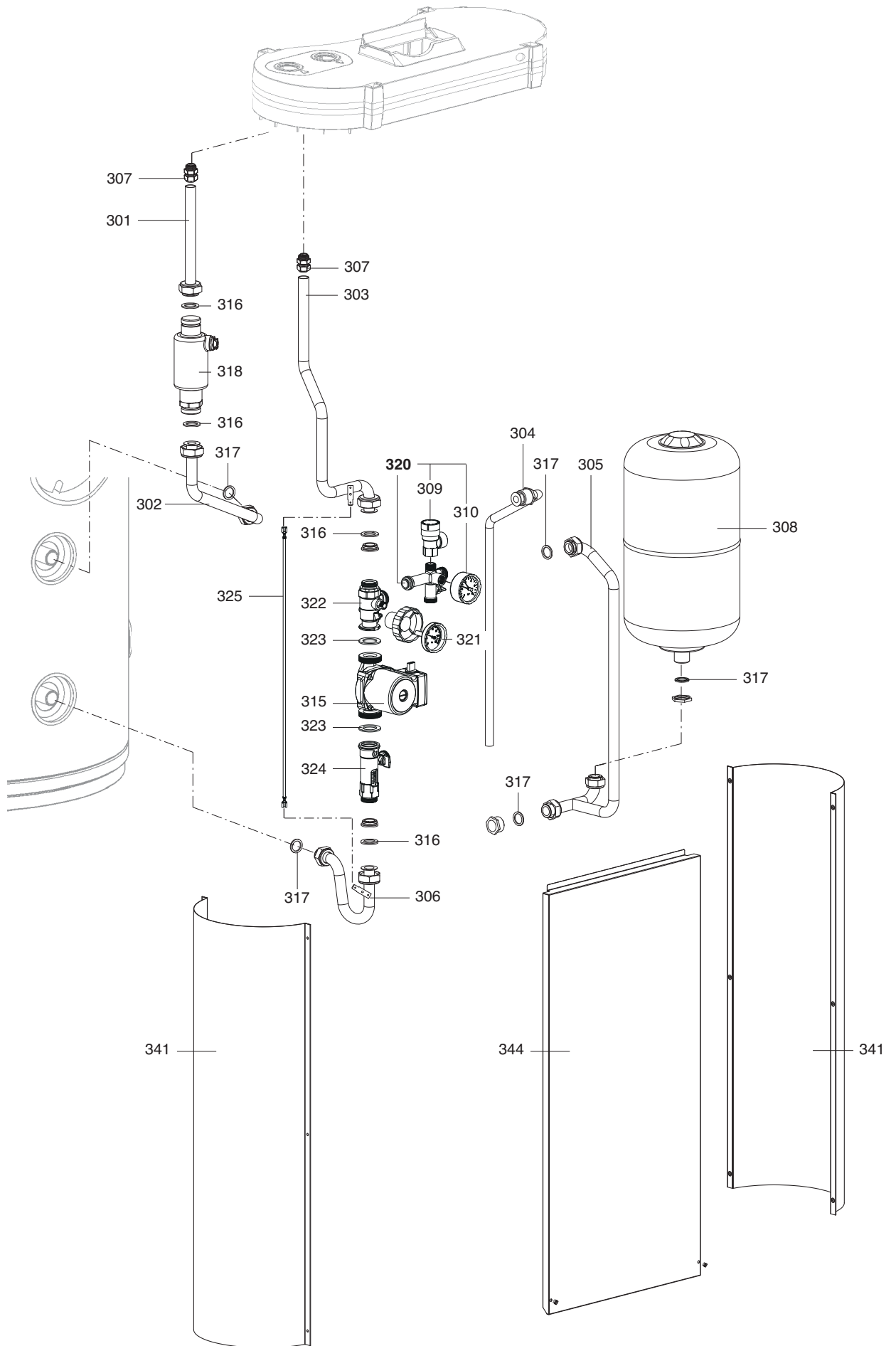
R8216435-12 - 11/09/2019

1	3070200	ZELIOS MACC-1SC 150	07-2009	10-2013
1	3070313	ZELIOS AES1S FC 150 (FOR 3023149)	01-2011	10-2013
1	3070314	ZELIOS AES1S FC 150 (FOR 3023150)	01-2011	10-2013
2	3070198	ZELIOS MACC-2SC 200	07-2009	10-2013
2	3070201	ZELIOS MACC-1SC 200	07-2009	10-2013
2	3070315	ZELIOS AES1S FC 200 (FOR 3023151)	01-2011	10-2013
2	3070316	ZELIOS AES1S FC 200 (FOR 3023152)	01-2011	10-2013
2	3070317	ZELIOS AES2S FC 200 (FOR 3023153)	01-2011	10-2013
2	3070318	ZELIOS AES2S FC 200 (FOR 3023154)	01-2011	10-2013
3	3070213	ZELIOS MACC-2S 200	07-2009	10-2013
4	3070199	ZELIOS MACC-2SC 300	09-2009	09-2013
4	3070202	ZELIOS MACC-1SC 300	07-2009	10-2013
4	3070319	ZELIOS AES1S FC 300 (FOR 3023155)	01-2011	10-2013
4	3070320	ZELIOS AES1S FC 300 (FOR 3023156)	01-2011	10-2013
4	3070321	ZELIOS AES2S FC 300 (FOR 3023157)	01-2011	10-2013
4	3070322	ZELIOS AES2S FC 300 (FOR 3023158)	01-2011	10-2013
5	3070214	ZELIOS MACC-2S 300	07-2009	10-2013
6	3070196	ZELIOS MACC-1SC-E 200	07-2009	09-2013
7	3070197	ZELIOS MACC-1SC-E 300	07-2009	09-2013

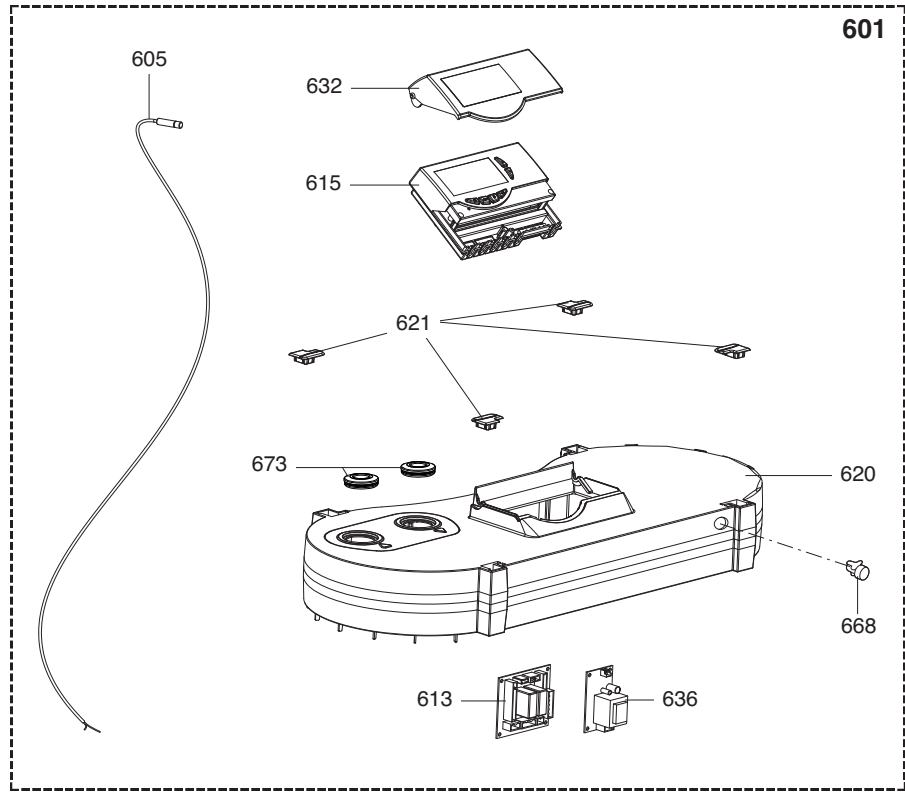
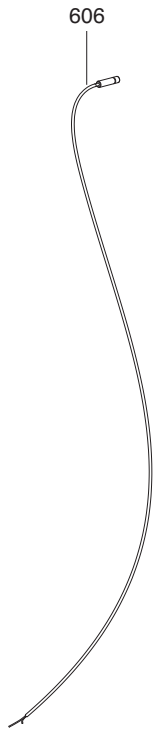
Col	Reference	Model type	Begin	End
-----	-----------	------------	-------	-----



☉⇒	Description	Manf. Pt. N	Type	<div style="display: flex; justify-content: space-between;"> <div style="writing-mode: vertical-rl; transform: rotate(180deg); font-size: 8px; font-weight: bold;"> 150L MACC SC & AES 200L MACC SC & AES 200L MACC S 300L MACC S 300L MACC SC & AES 200L MACC S 300L MACC SC-E 300L MACC SC-E </div> <div style="border: 1px solid black; padding: 2px; font-size: 10px; font-weight: bold;">31</div> </div>																		From	to
				1	2	3	4	5	6	7	8	9	10	11	12	13	14	15	16	17	18		
0100	HOT WATER TANK																						
0101	IMMERSION HEATER 1500W-230V+ANODE	60001260																					
	IMMERSION HEATER 2300W-230V+ANODE	60001119																					
0103	THERMOSTAT	60001117																					
0104	FLANGE	65109281		•	•	•	•	•	•	•	•	•	•	•	•	•	•	•	•				
0107	THERMOSTAT SUPPORT	60001118																					
0109	SUPPORT	64191263		•	•	•	•	•	•	•	•	•	•	•	•	•	•	•	•				
0111	EARTH WIRE	60001115																					
0114	UPPER PLASTIC COVER	221111		•	•	•	•	•	•	•	•	•	•	•	•	•	•	•	•				
0116	SHEET GASKET D: 24-17-2	64201915		•	•	•	•	•	•	•	•	•	•	•	•	•	•	•	•				
0117	SUPPORT	926303																					
0118	WIRE PIN BRACKET	926071																					
0119	SIGNAL LAMP	65110364																					
0121	CABLE (ANODE-PROTECH)	65109280-01		•	•	•	•	•	•	•	•	•	•	•	•	•	•	•	•				
	CABLE (ANODE-PROTECH)	65109298-01																					
0122	MIXING VALVE	65109257		•	•	•	•	•	•	•	•	•	•	•	•	•	•	•	•				
0123	ANODE D:21,3 L:110 M5-M8	65103768-01		•	•	•	•	•	•	•	•	•	•	•	•	•	•	•	•	03/11			
	ANODE D:33 L:350 M8	61314319		•	•	•	•	•	•	•	•	•	•	•	•	•	•	•	•		02/11		
0125	ANODE D:25,7 L:380 M8	65102462																					
0130	SCREW M10X32	918061																					
0131	NUT M10	918041																					
0132	FLANGE GASKET D170X105X5 TK150 WITH 6 HO	924002																					
0133	FLANGE GASKET D:121.3-105-7.1	60071829		•	•	•	•	•	•	•	•	•	•	•	•	•	•	•	•				
0137	ANODE (PROTECH)	65100391		•	•	•	•	•	•	•	•	•	•	•	•	•	•	•	•	04/11			
	ANODE PROTECH INT. L:260	65101458		•	•	•	•	•	•	•	•	•	•	•	•	•	•	•	•		03/11		
0143	PLASTIC COVER	926301																					
0144	KIT (CABLE-HOLDER)	996644																					
0152	FOOT M10X40	918063		•	•	•	•	•	•	•	•	•	•	•	•	•	•	•	•				
0154	LEAD (BROWN) 2,5X160 (faston-faston)	925025																					
0161	COPPER PIPE (MIX HOT WATER)	65109263		•	•	•	•	•	•	•	•	•	•	•	•	•	•	•	•				
	COPPER PIPE (MIX HOT WATER)	65109297																					
0162	COPPER PIPE (MIX COLD WATER)	65109265		•	•	•	•	•	•	•	•	•	•	•	•	•	•	•	•				
	COPPER PIPE (MIX COLD WATER)	65109296		•	•	•	•	•	•	•	•	•	•	•	•	•	•	•	•				
0163	UNION (MIXING VALVE)	65109264		•	•	•	•	•	•	•	•	•	•	•	•	•	•	•	•				
0164	T M/M/M 3/4 UNION	65109317		•	•	•	•	•	•	•	•	•	•	•	•	•	•	•	•				
0165	NIPPLE (3/4 M-M)	65109316		•	•	•	•	•	•	•	•	•	•	•	•	•	•	•	•				
0167	NTC SENSOR (SOLAR TANK)	65107146				•	•	•	•	•	•	•	•	•	•	•	•	•	•				



☉⇒	Description	Manf. Pt. N	Type	<div style="display: flex; justify-content: space-around; font-size: small;"> 150L MACC SC & AES 200L MACC SC & AES 200L MACC SC S 300L MACC S 300L MACC SC & AES 200L MACC S 300L MACC SC-E 300L MACC SC-E </div>														31			
				1	2	3	4	5	6	7	8	9	10	11	12	13	14	15	16	17	18
0300	HYDRAULIC BLOCK																				
0301	INLET PIPE	65109260		●	●	●	●	●	●	●											
0302	COPPER PIPE (D.H.W. CYLINDER-DEAERATOR)	65109262		●	●	●	●	●	●	●											
0303	OUTLET PIPE	65109259		●	●	●	●	●	●	●											
0304	SAFETY VALVE OUTLET PIPE	65109270		●	●	●	●	●	●	●											
0305	COPPER PIPE (EXPANSION VESSEL)	65109258		●	●	●	●	●	●	●											
0306	COPPER PIPE (D.H.W. CYLINDER-PUMP GROUP)	65109261		●	●	●	●	●	●	●											
0307	STRAIGHT FITTING 18 X 3/4" M	65111906		●	●	●	●	●	●	●											
0308	EXPANSION VESSEL 12 LT	65109266		●	●	●	●	●	●	●											
0309	PRESSURE RELIEF VALVE 6 BARS R 1/2	60000411		●	●	●	●	●	●	●											
0310	PRESSURE GAUGE (0-10 BAR)	65109903		●	●	●	●	●	●	●											
0315	PUMP 25/75 130 (SOLAR)	65119492		●	●	●	●	●	●	●											
0316	GASKET 1Z	569387		●	●	●	●	●	●	●											
0317	SHEET GASKET D: 24-17-2	64201915		●	●	●	●	●	●	●											
0318	RELEASE VALVE	65109900		●	●	●	●	●	●	●											
0320	SAFETY DEVICE	65109916		●	●	●	●	●	●	●											
0321	THERMOMETER 0-120°C	65109902		●	●	●	●	●	●	●											
0322	BALL VALVE	65109901		●	●	●	●	●	●	●											
0323	GASKET (44,5X28X2,5)	65110228		●	●	●	●	●	●	●											
0324	TAP (DELIVERY)	65111267		●	●	●	●	●	●	●											
0325	CABLE (EARTH)	65111193		●	●	●	●	●	●	●										01/11	
0341	PANEL (SIDE)	65110721		●	●	●	●	●	●	●											
0344	PANEL (FRONT)	65110722		●	●	●	●	●	●	●											



☉→	Description	Manf. Pt. N	Type	150L MACC SC & AES 200L MACC SC & AES 200L MACC S 300L MACC S 300L MACC SC & AES 200L MACC S 300L MACC SC-E 300L MACC SC-E																		31				
				1	2	3	4	5	6	7	8	9	10	11	12	13	14	15	16	17	18	From	to			
0600	ELECTRICAL BOX																									
0601	WIRED CONTROL GROUP	65110273							●	●																
	WIRED CONTROL GROUP	65110274		●	●		●																			
0605	COLLECTOR SOLAR SONDE	65106001		●	●		●		●	●																
0606	H.D.W. SOLAR SENSOR	65106002		●	●		●		●	●																
0613	P.C.B. (ESC1)	65109620		●	●		●		●	●																
	P.C.B. (ESC2)	65109621				●		●																		
0615	SOLAR MAIN CONTROL UNIT ELIOS 25	65106000		●	●		●		●	●																
0620	COVERING PLATE	65110593		●	●		●																			
	COVERING PLATE	65110594				●		●																		
	COVERING PLATE	65110595						●		●																
0621	PLUGS (KIT)	65109252		●	●	●	●	●	●	●																
0632	COVER	65109253		●	●	●	●	●	●	●																
0636	REACTOR ANODE	65109255		●	●	●	●	●	●	●																
0668	ORANGE SIGNAL	60000958							●	●																
0673	GASKET D.18	65109254		●	●	●	●	●	●	●																

LIST OF THE ABBREVIATIONS

HW	: Hot water.
CW	: Cold water.
C	: Ceramic resistance (normal heating).
Ca	: Ceramic resistance (accelerated heating)
TP	: Immersion heater.
1F	: With fittings.
2F	: Without fittings.
3F	: With fittings and another outlet connection.
AMI	: With mixing valve.
SMI	: Without mixing valve.
PUISS	: Power of th appliance.
PN	: Appliance with normal pressison.
LP	: Appliance with low pressison.
PV	: Appliance with variable power.
PF	: Appliance with fixed power.

IDENTIFICATION PLATE

SERIAL NUMBER

6 Characters :
 Year of manufacture 03 09 08 Manufacturing day / Month of manufacture

9 Characters :
 Year of manufacture 5 9 12 0606 Sequential number / Month of manufacture

14 Characters :
 SI-V-0B0 45 07 0001
 Sequential number, Year of manufacture, Month of manufacture, Product model

25 → January	43 → July	7 → 2005
13 → February	29 → August	8 → 2006
32 → March	40 → September etc ...	
35 → April	38 → October	
39 → May	51 → November	
45 → June	12 → December	

14 Characters :
 111518 XX 000010
 Month of manufacture, Day of manufacture, Sequential number, Year of manufacture

15 Characters :
 02 11 00001 007843
 Year of manufacture, Month of manufacture, Product reference, Sequential number

21 Characters :
 3200050 XX 08115 0000001
 Product reference, Sequential number, Year (08) / Manufacturing day (115)

22 Characters :
 3200050 XX 070115 0000001
 Product reference, Sequential number, Year (07) / Month (01) / Manufacturing day (15)