

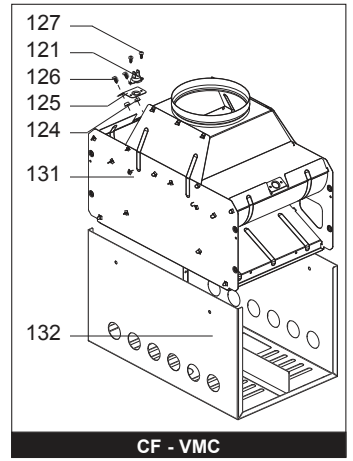
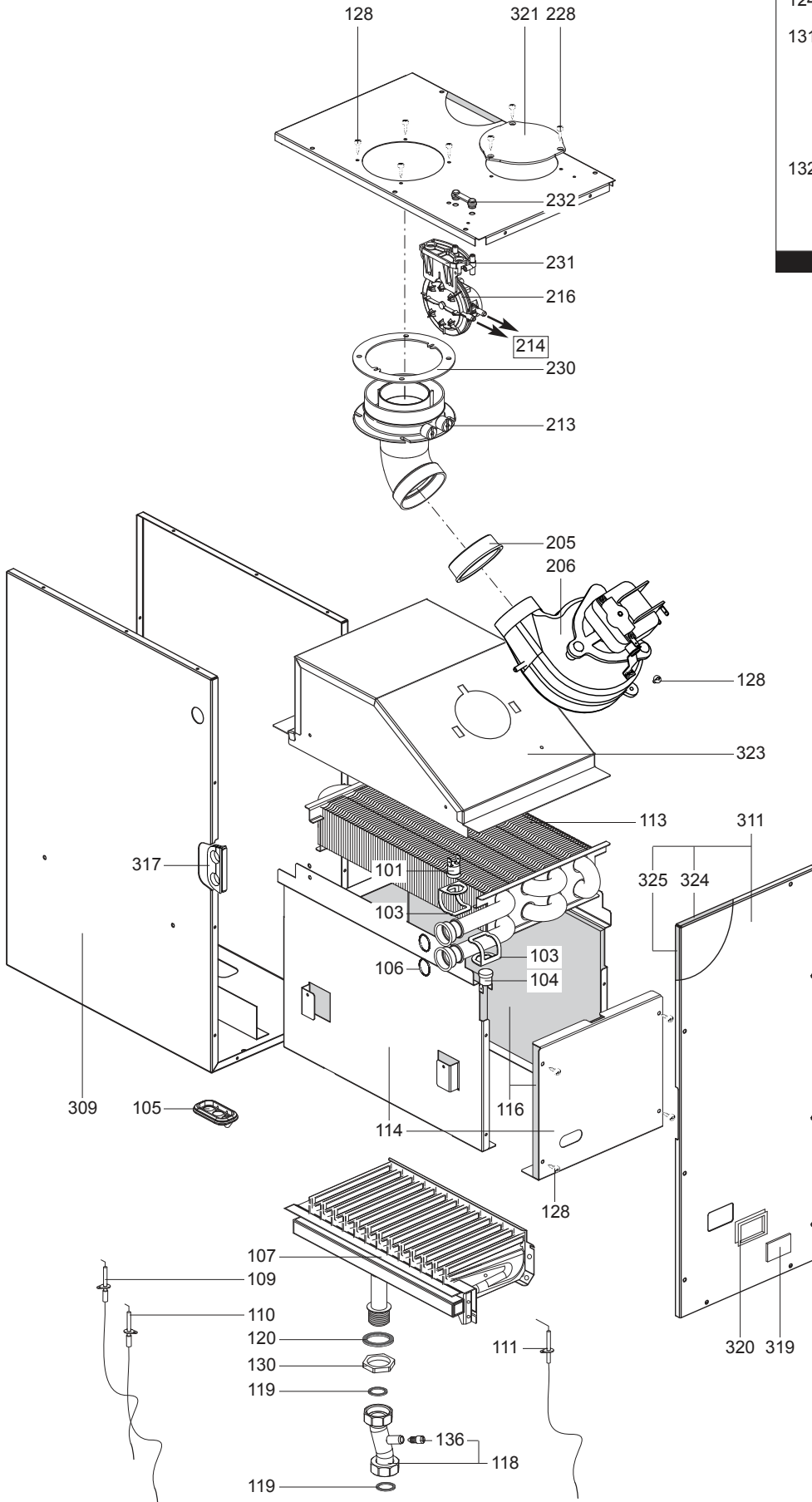
# SPARE PARTS EXPLODED VIEW GAS WALL BOILERS

Model

## **AMPHORA DELTA**

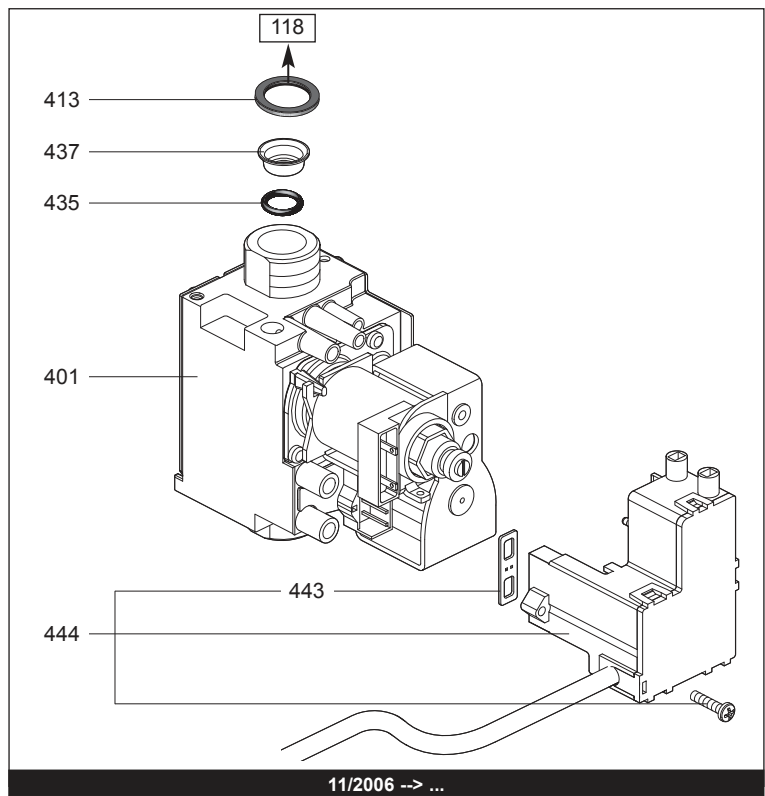
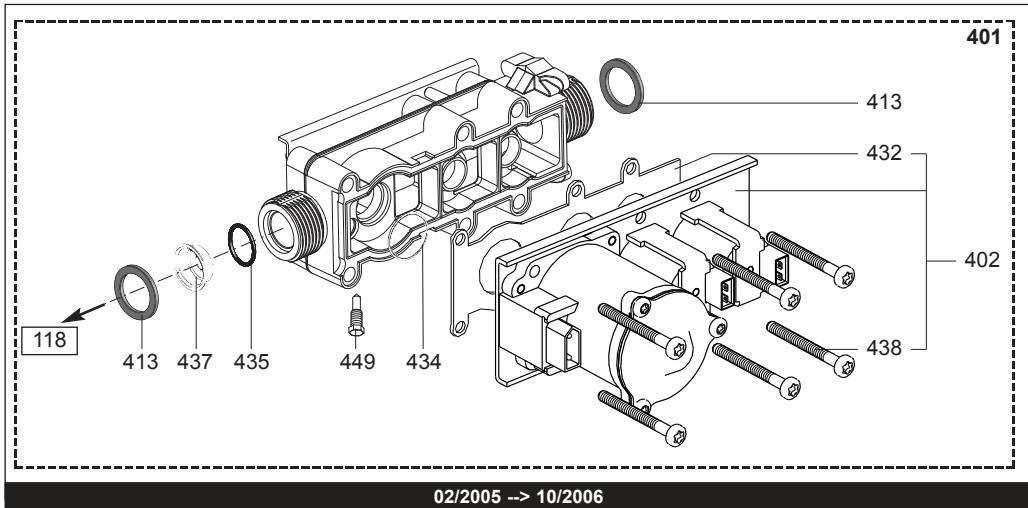
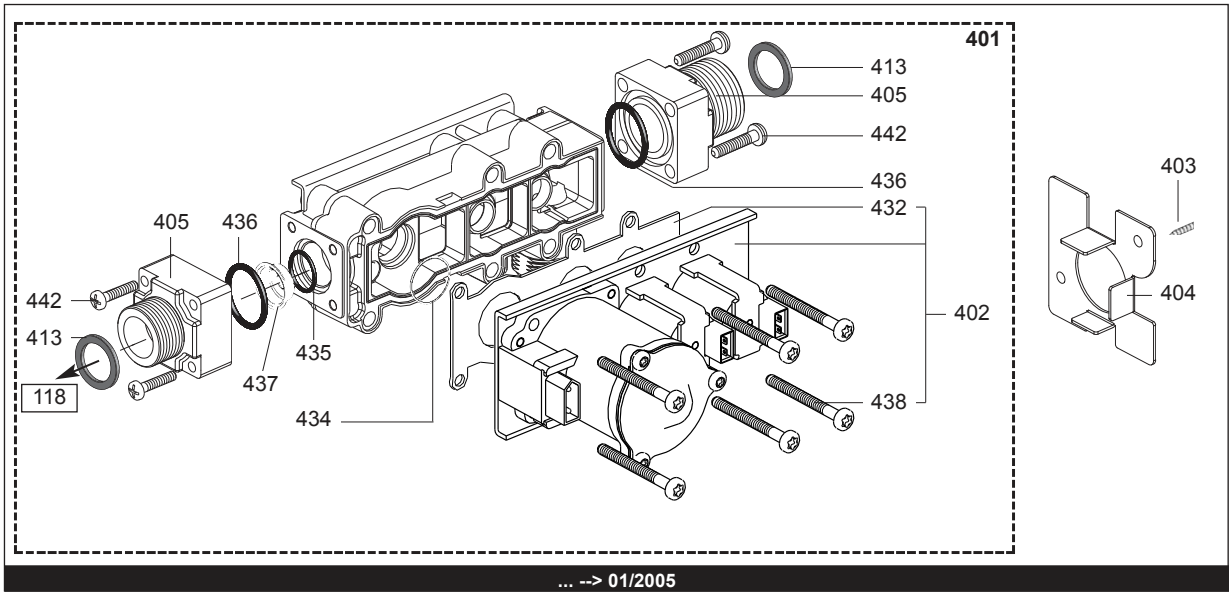
R8202802-13 - 27/08/2012

| 1   | 365 0000  | AMPHORA DELTA 24 CF NAT FR  | 09/04 | 09/07 |
|-----|-----------|-----------------------------|-------|-------|
| 1   | 365 0004  | AMPHORA DELTA 24 CF B/P FR  | 09/04 | 09/07 |
| 2   | 365 0001  | AMPHORA DELTA 24 VMC NAT FR | 10/04 | 09/07 |
| 3   | 365 0002  | AMPHORA DELTA 24 FF NAT FR  | 09/04 | 09/07 |
| 3   | 365 0005  | AMPHORA DELTA 24 FF B/P FR  | 09/04 | 09/07 |
| 4   | 365 0003  | AMPHORA DELTA 28 FF NAT FR  | 09/04 | 09/07 |
| 4   | 365 0006  | AMPHORA DELTA 28 FF B/P FR  | 09/04 | 09/07 |
| Col | Reference | Model type                  | Begin | End   |

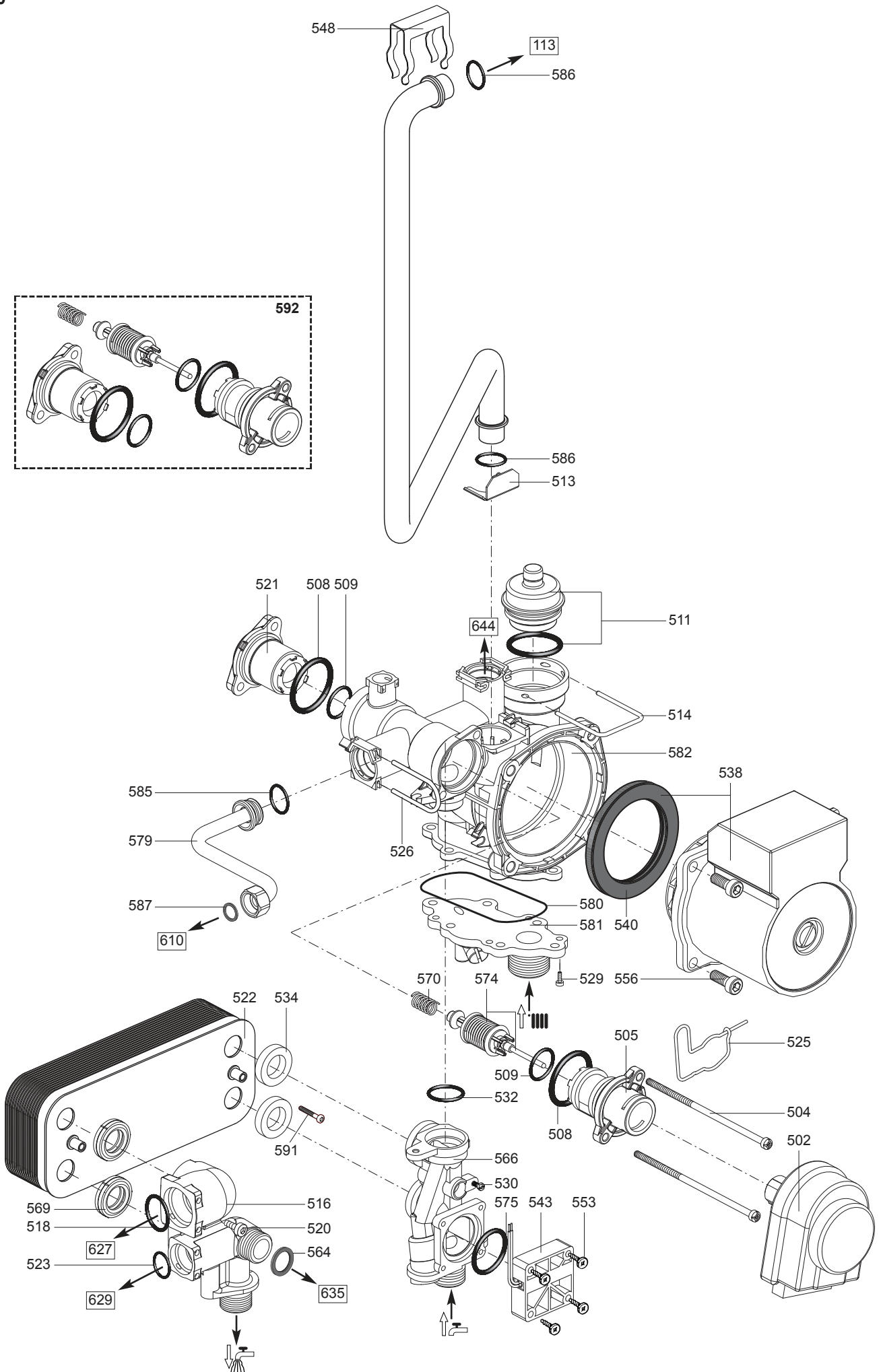


CF - VMC

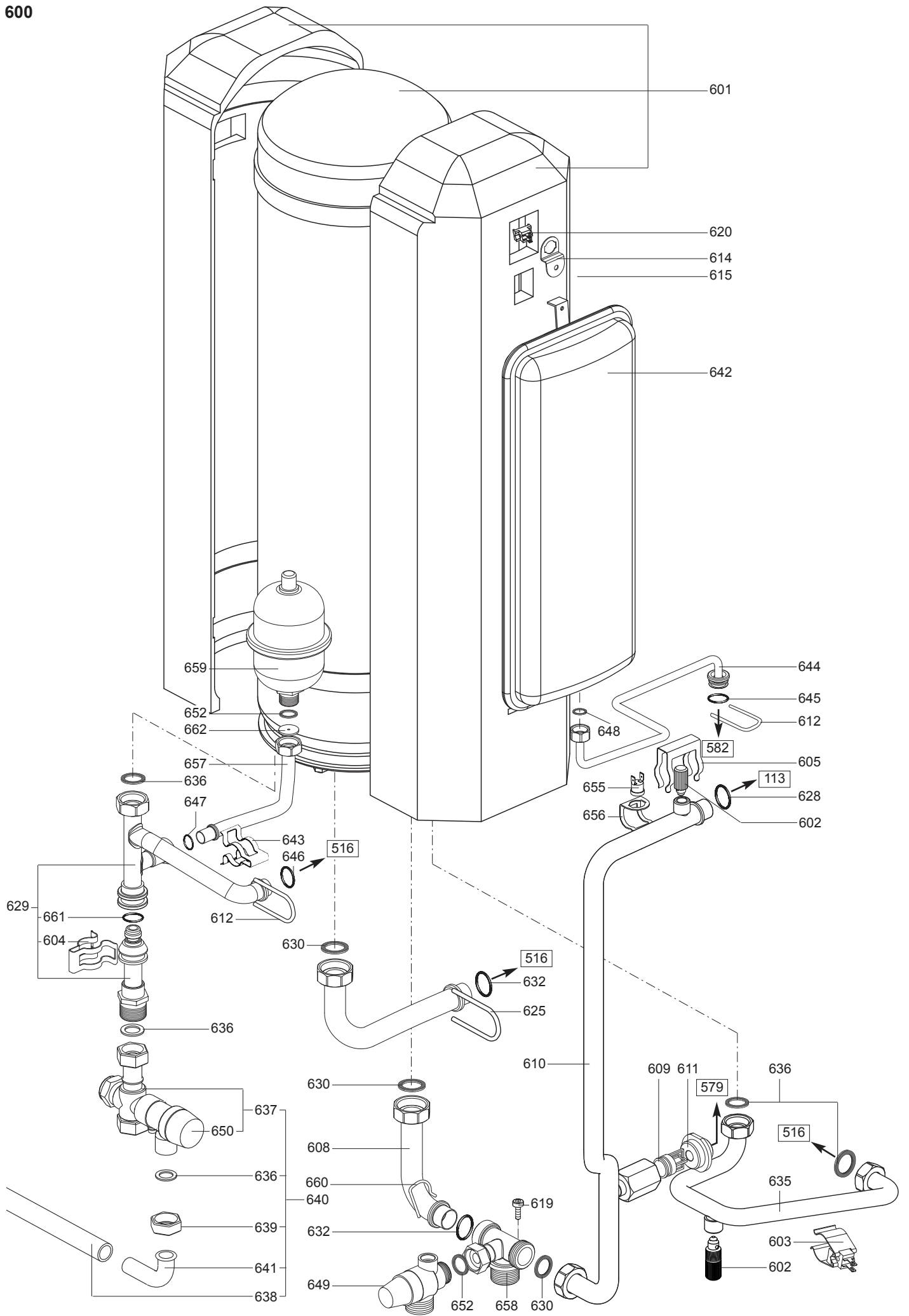
| ☉           | Description                     | Manf. Pt. N | Type | <div style="display: flex; justify-content: space-between; align-items: center;"> <div style="transform: rotate(-45deg); font-size: 8px; white-space: nowrap;">           AMPHORA DELTA 24 CF<br/>           AMPHORA DELTA 24 VMC<br/>           AMPHORA DELTA 24 FF<br/>           AMPHORA DELTA 28 FF         </div> <div style="border: 1px solid black; padding: 2px; font-weight: bold;">31</div> </div> |   |   |   |   |  |  |  |  |  |  |  |  |  |  |  |  |       | 1     | 2 | 3 | 4 | 5 | 6 | 7 | 8 | 9 | 10 | 11 | 12 | 13 | 14 | 15 | 16 | 17 | 18 |  |  |
|-------------|---------------------------------|-------------|------|---|---|---|---|---|--|--|--|--|--|--|--|--|--|--|--|--|-------|-------|---|---|---|---|---|---|---|---|----|----|----|----|----|----|----|----|----|--|--|
|             |                                 |             |      |   |   |   |   |   |  |  |  |  |  |  |  |  |  |  |  |  |       |       |   |   |   |   |   |   |   |   |    |    |    |    |    |    |    |    |    |  |  |
| <b>0100</b> | <b>BURNER ASSEMBLY</b>          |             |      |   |   |   |   |   |  |  |  |  |  |  |  |  |  |  |  |  |       |       |   |   |   |   |   |   |   |   |    |    |    |    |    |    |    |    |    |  |  |
| 0101        | OVERHEAT THERMOSTAT 100C        | 61010572    |      | •   | • | • | • |   |  |  |  |  |  |  |  |  |  |  |  |  |       |       |   |   |   |   |   |   |   |   |    |    |    |    |    |    |    |    |    |  |  |
| 0103        | CLIP                            | 61010050    |      | •   | • | • | • |   |  |  |  |  |  |  |  |  |  |  |  |  |       |       |   |   |   |   |   |   |   |   |    |    |    |    |    |    |    |    |    |  |  |
| 0104        | THERMISTOR                      | 61314258    |      | •   | • | • | • |   |  |  |  |  |  |  |  |  |  |  |  |  |       |       |   |   |   |   |   |   |   |   |    |    |    |    |    |    |    |    |    |  |  |
| 0105        | IGNITION ELECTRODE CABLE RUBBER | 998147      |      |   |   |   | • | • |  |  |  |  |  |  |  |  |  |  |  |  |       |       |   |   |   |   |   |   |   |   |    |    |    |    |    |    |    |    |    |  |  |
| 0106        | O-RING                          | 998424      |      | •   | • | • | • |   |  |  |  |  |  |  |  |  |  |  |  |  |       |       |   |   |   |   |   |   |   |   |    |    |    |    |    |    |    |    |    |  |  |
| 0107        | BURNER                          | 61315552    | B/P  |   |   |   | • | • |  |  |  |  |  |  |  |  |  |  |  |  |       |       |   |   |   |   |   |   |   |   |    |    |    |    |    |    |    |    |    |  |  |
|             | BURNER (GL)                     | 65101314    | B/P  | •   | • |   |   |   |  |  |  |  |  |  |  |  |  |  |  |  |       |       |   |   |   |   |   |   |   |   |    |    |    |    |    |    |    |    |    |  |  |
|             | BURNER                          | 61315551    | NAT  |   |   |   | • | • |  |  |  |  |  |  |  |  |  |  |  |  |       |       |   |   |   |   |   |   |   |   |    |    |    |    |    |    |    |    |    |  |  |
|             | BURNER 13 RAMP                  | 65100474    | NAT  | •   | • |   |   |   |  |  |  |  |  |  |  |  |  |  |  |  |       |       |   |   |   |   |   |   |   |   |    |    |    |    |    |    |    |    |    |  |  |
| 0109        | IGNITION ELECTRODE RIGHT        | 60000105    |      | •   | • | • | • |   |  |  |  |  |  |  |  |  |  |  |  |  |       |       |   |   |   |   |   |   |   |   |    |    |    |    |    |    |    |    |    |  |  |
| 0110        | IGNITION ELECTRODE LEFT         | 60000104    |      | •   | • | • | • |   |  |  |  |  |  |  |  |  |  |  |  |  |       |       |   |   |   |   |   |   |   |   |    |    |    |    |    |    |    |    |    |  |  |
| 0111        | IONIZATION ELECTRODE            | 61316659    |      | •   | • | • | • |   |  |  |  |  |  |  |  |  |  |  |  |  |       |       |   |   |   |   |   |   |   |   |    |    |    |    |    |    |    |    |    |  |  |
| 0113        | MAIN EXCHANGER                  | 61310450    |      | •   | • | • | • |   |  |  |  |  |  |  |  |  |  |  |  |  |       |       |   |   |   |   |   |   |   |   |    |    |    |    |    |    |    |    |    |  |  |
| 0114        | COMBUSTION CHAMBER              | 61315542    |      |   |   |   | • | • |  |  |  |  |  |  |  |  |  |  |  |  |       |       |   |   |   |   |   |   |   |   |    |    |    |    |    |    |    |    |    |  |  |
|             | COMBUSTION CHAMBER              | 61315802    |      | •   | • |   |   |   |  |  |  |  |  |  |  |  |  |  |  |  |       |       |   |   |   |   |   |   |   |   |    |    |    |    |    |    |    |    |    |  |  |
| 0116        | COMBUSTION CHAMBER LINING KIT   | 61400392    |      | •   | • | • | • |   |  |  |  |  |  |  |  |  |  |  |  |  |       |       |   |   |   |   |   |   |   |   |    |    |    |    |    |    |    |    |    |  |  |
| 0118        | GAS TUBE                        | 60000021    |      | •   | • | • | • |   |  |  |  |  |  |  |  |  |  |  |  |  | 02/05 | 10/06 |   |   |   |   |   |   |   |   |    |    |    |    |    |    |    |    |    |  |  |
|             | GAS TUBE                        | 61313314    |      | •   | • | • | • |   |  |  |  |  |  |  |  |  |  |  |  |  |       | 01/05 |   |   |   |   |   |   |   |   |    |    |    |    |    |    |    |    |    |  |  |
|             | GAS TUBE                        | 60000502    |      | •   | • | • | • |   |  |  |  |  |  |  |  |  |  |  |  |  | 11/06 |       |   |   |   |   |   |   |   |   |    |    |    |    |    |    |    |    |    |  |  |
| 0119        | SHEET GASKET D: 24-18.2-1.5     | 60022835-01 |      | •   | • | • | • |   |  |  |  |  |  |  |  |  |  |  |  |  |       |       |   |   |   |   |   |   |   |   |    |    |    |    |    |    |    |    |    |  |  |
| 0120        | GASKET 37X26X2                  | 569413      |      | •   | • | • | • |   |  |  |  |  |  |  |  |  |  |  |  |  |       |       |   |   |   |   |   |   |   |   |    |    |    |    |    |    |    |    |    |  |  |
| 0121        | THERMOSTAT (SAFETY - 70C)       | 61012479    |      | •   |   |   |   |   |  |  |  |  |  |  |  |  |  |  |  |  |       |       |   |   |   |   |   |   |   |   |    |    |    |    |    |    |    |    |    |  |  |
|             | OVERHEAT THERMOSTAT 60C         | 61315857    |      |   |   |   | • |   |  |  |  |  |  |  |  |  |  |  |  |  |       |       |   |   |   |   |   |   |   |   |    |    |    |    |    |    |    |    |    |  |  |
| 0124        | SPACER                          | 61308439    |      | •   | • |   |   |   |  |  |  |  |  |  |  |  |  |  |  |  |       |       |   |   |   |   |   |   |   |   |    |    |    |    |    |    |    |    |    |  |  |
| 0125        | SUPPORT BRACKET                 | 61308440    |      | •   | • |   |   |   |  |  |  |  |  |  |  |  |  |  |  |  |       |       |   |   |   |   |   |   |   |   |    |    |    |    |    |    |    |    |    |  |  |
| 0126        | TAPPING SCREW D: 3.5-9.5        | 61015329    |      | •   | • |   |   |   |  |  |  |  |  |  |  |  |  |  |  |  |       |       |   |   |   |   |   |   |   |   |    |    |    |    |    |    |    |    |    |  |  |
| 0127        | SHEET SCREW CBLX D: 3.5-6.5     | 61010126    |      | •   | • |   |   |   |  |  |  |  |  |  |  |  |  |  |  |  |       |       |   |   |   |   |   |   |   |   |    |    |    |    |    |    |    |    |    |  |  |
| 0128        | TAPPING SCREW CBLX D: 4.2-9.5   | 61010125    |      | •   | • | • | • |   |  |  |  |  |  |  |  |  |  |  |  |  |       |       |   |   |   |   |   |   |   |   |    |    |    |    |    |    |    |    |    |  |  |
| 0130        | LOCK NUT (BRASS) 3/4            | 569446      |      | •   | • | • | • |   |  |  |  |  |  |  |  |  |  |  |  |  |       |       |   |   |   |   |   |   |   |   |    |    |    |    |    |    |    |    |    |  |  |
| 0131        | DRAUGHT DIVERTER                | 61309993    |      | •   | • |   |   |   |  |  |  |  |  |  |  |  |  |  |  |  |       |       |   |   |   |   |   |   |   |   |    |    |    |    |    |    |    |    |    |  |  |
| 0132        | GRILLE                          | 61314406    |      | •   | • |   |   |   |  |  |  |  |  |  |  |  |  |  |  |  |       |       |   |   |   |   |   |   |   |   |    |    |    |    |    |    |    |    |    |  |  |
| 0136        | PRESSURE TEST POINT SCREW       | 60019445    |      | •   | • | • | • |   |  |  |  |  |  |  |  |  |  |  |  |  | 02/05 |       |   |   |   |   |   |   |   |   |    |    |    |    |    |    |    |    |    |  |  |
| <b>0200</b> | <b>FAN ASSEMBLY</b>             |             |      |   |   |   |   |   |  |  |  |  |  |  |  |  |  |  |  |  |       |       |   |   |   |   |   |   |   |   |    |    |    |    |    |    |    |    |    |  |  |
| 0205        | GASKET                          | 61303825    |      |   |   |   | • | • |  |  |  |  |  |  |  |  |  |  |  |  |       |       |   |   |   |   |   |   |   |   |    |    |    |    |    |    |    |    |    |  |  |
| 0206        | FAN ASSY                        | 61020925    |      |   |   |   | • | • |  |  |  |  |  |  |  |  |  |  |  |  |       |       |   |   |   |   |   |   |   |   |    |    |    |    |    |    |    |    |    |  |  |
| 0213        | FLUE INTAKE PLUG                | 573326      |      |   |   |   | • | • |  |  |  |  |  |  |  |  |  |  |  |  |       |       |   |   |   |   |   |   |   |   |    |    |    |    |    |    |    |    |    |  |  |
| 0214        | SILICONE TUBE D: 9x3 L: 1.30M   | 60081265    |      |   |   |   | • | • |  |  |  |  |  |  |  |  |  |  |  |  |       |       |   |   |   |   |   |   |   |   |    |    |    |    |    |    |    |    |    |  |  |
| 0216        | AIR PRESSURE SWITCH 24-28KW     | 61307664    |      |   |   |   | • | • |  |  |  |  |  |  |  |  |  |  |  |  |       |       |   |   |   |   |   |   |   |   |    |    |    |    |    |    |    |    |    |  |  |
| 0228        | TAPPING SCREW D: 4.8-9.5        | 61007613    |      |   |   |   | • | • |  |  |  |  |  |  |  |  |  |  |  |  |       |       |   |   |   |   |   |   |   |   |    |    |    |    |    |    |    |    |    |  |  |
| 0230        | GASKET (FLUE MANIFOLD)          | 573337      |      |   |   |   | • | • |  |  |  |  |  |  |  |  |  |  |  |  |       |       |   |   |   |   |   |   |   |   |    |    |    |    |    |    |    |    |    |  |  |
| 0231        | SUPPORT PLATE                   | 990373      |      |   |   |   | • | • |  |  |  |  |  |  |  |  |  |  |  |  |       |       |   |   |   |   |   |   |   |   |    |    |    |    |    |    |    |    |    |  |  |
| 0232        | AIR INTAKE COVER                | 573329      |      |   |   |   | • | • |  |  |  |  |  |  |  |  |  |  |  |  |       |       |   |   |   |   |   |   |   |   |    |    |    |    |    |    |    |    |    |  |  |
| <b>0300</b> | <b>SEALED CASE</b>              |             |      |   |   |   |   |   |  |  |  |  |  |  |  |  |  |  |  |  |       |       |   |   |   |   |   |   |   |   |    |    |    |    |    |    |    |    |    |  |  |
| 0309        | CASE BOTTOM PANEL               | 61314398    |      |   |   |   | • | • |  |  |  |  |  |  |  |  |  |  |  |  |       |       |   |   |   |   |   |   |   |   |    |    |    |    |    |    |    |    |    |  |  |
| 0311        | PANEL (FRONT)                   | 65100493    |      |   |   |   | • | • |  |  |  |  |  |  |  |  |  |  |  |  |       |       |   |   |   |   |   |   |   |   |    |    |    |    |    |    |    |    |    |  |  |
| 0317        | GROMMET                         | 61303148    |      |   |   |   | • | • |  |  |  |  |  |  |  |  |  |  |  |  |       |       |   |   |   |   |   |   |   |   |    |    |    |    |    |    |    |    |    |  |  |
| 0319        | SIGHT GLASS - GASKET            | 65105371    |      |   |   |   | • | • |  |  |  |  |  |  |  |  |  |  |  |  |       |       |   |   |   |   |   |   |   |   |    |    |    |    |    |    |    |    |    |  |  |
| 0320        | SIGHT GLASS - GASKET            | 998076      |      |   |   |   | • | • |  |  |  |  |  |  |  |  |  |  |  |  |       |       |   |   |   |   |   |   |   |   |    |    |    |    |    |    |    |    |    |  |  |
| 0321        | AIR RETURN COVER                | 991821      |      |   |   |   | • | • |  |  |  |  |  |  |  |  |  |  |  |  |       |       |   |   |   |   |   |   |   |   |    |    |    |    |    |    |    |    |    |  |  |
| 0323        | HOOD 28 KW                      | 61315520    |      |   |   |   | • | • |  |  |  |  |  |  |  |  |  |  |  |  |       |       |   |   |   |   |   |   |   |   |    |    |    |    |    |    |    |    |    |  |  |
| 0324        | FOAM SEAL 12x4 L:223            | 61315258    |      |   |   |   | • | • |  |  |  |  |  |  |  |  |  |  |  |  |       |       |   |   |   |   |   |   |   |   |    |    |    |    |    |    |    |    |    |  |  |
| 0325        | FOAM SEAL 12x4 L:547            | 61315259    |      |   |   |   | • | • |  |  |  |  |  |  |  |  |  |  |  |  |       |       |   |   |   |   |   |   |   |   |    |    |    |    |    |    |    |    |    |  |  |





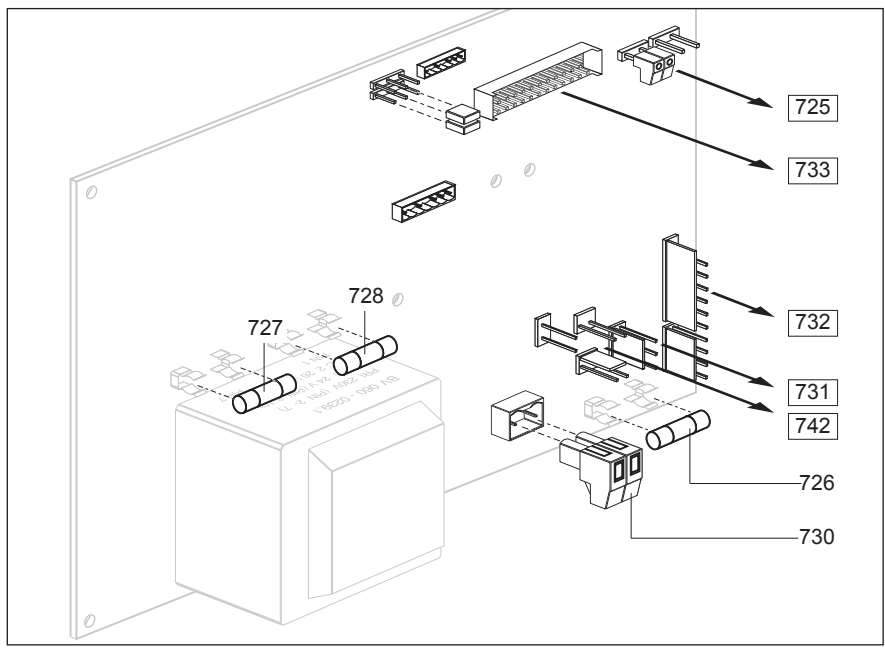
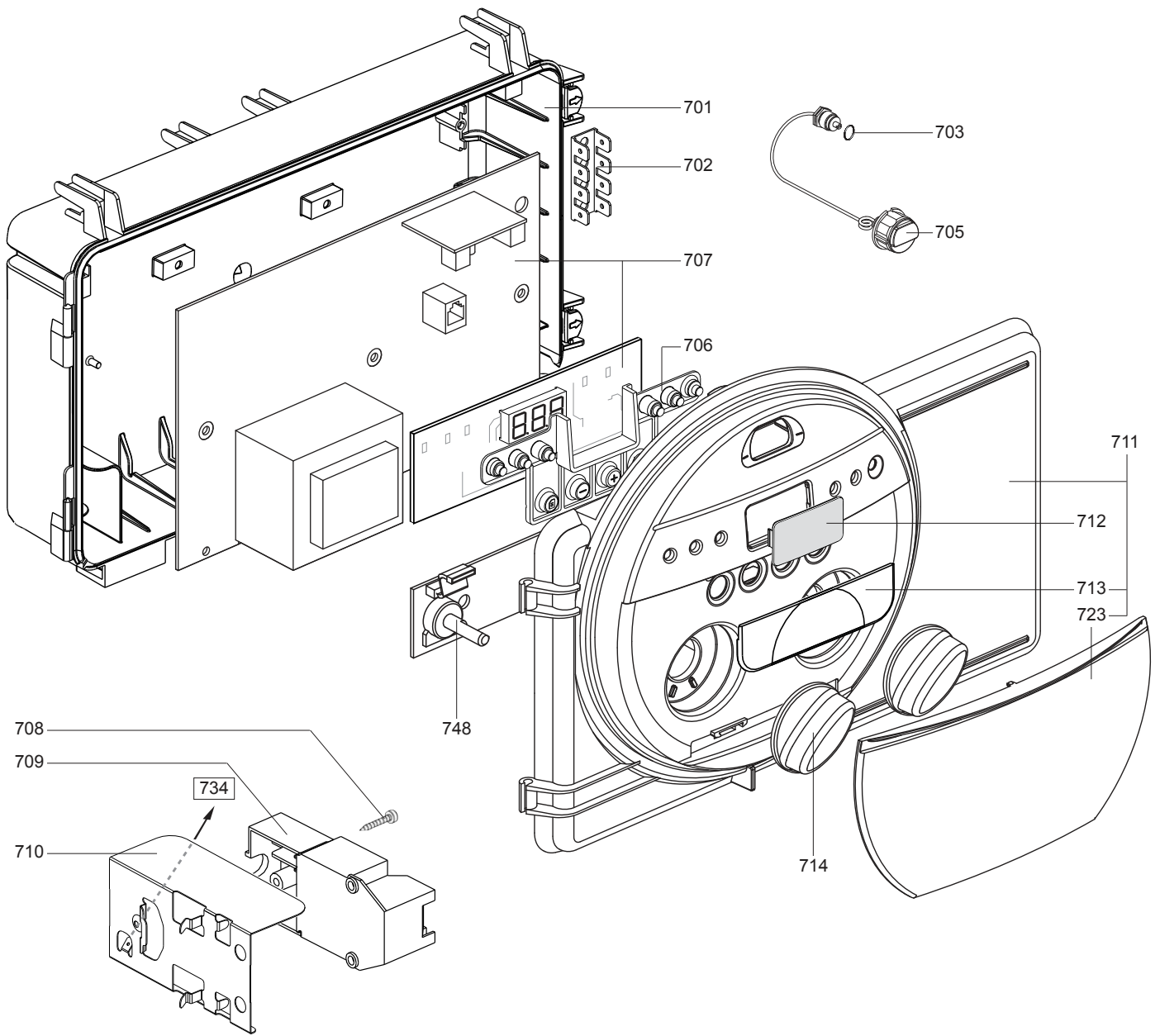


| ☉⇒   | Description                     | Manf. Pt. N | Type | <div style="display: flex; justify-content: space-between; align-items: center;"> <div style="writing-mode: vertical-rl; transform: rotate(180deg); font-size: 8px; margin: 0 5px;">           AMPHORA DELTA 24 CF<br/>           AMPHORA DELTA 24 VMC<br/>           AMPHORA DELTA 24 FF<br/>           AMPHORA DELTA 28 FF         </div> <div style="border: 1px solid black; padding: 2px; font-size: 10px; margin-left: 10px;">31</div> </div> |   |   |   |   |   |   |   |   |    |    |    |    |    |    |    |    |    |
|------|---------------------------------|-------------|------|---|---|---|---|---|---|---|---|---|----|----|----|----|----|----|----|----|----|
|      |                                 |             |      | 1   | 2 | 3 | 4 | 5 | 6 | 7 | 8 | 9 | 10 | 11 | 12 | 13 | 14 | 15 | 16 | 17 | 18 |
| 0500 | HYDRAULIC BLOCK                 |             |      |   |   |   |   |   |   |   |   |   |    |    |    |    |    |    |    |    |    |
| 0502 | MOTOR (3-WAY VALVE)             | 997147      |      | ●   | ● | ● | ● |   |   |   |   |   |    |    |    |    |    |    |    |    |    |
| 0504 | SCREW (M4X102)                  | 990438      |      | ●   | ● | ● | ● |   |   |   |   |   |    |    |    |    |    |    |    |    |    |
| 0505 | MOTOR SUPPORT                   | 65100770    |      | ●   | ● | ● | ● |   |   |   |   |   |    |    |    |    |    |    |    |    |    |
| 0508 | O-RING                          | 990488      |      | ●   | ● | ● | ● |   |   |   |   |   |    |    |    |    |    |    |    |    |    |
| 0509 | O-RING                          | 990489      |      | ●   | ● | ● | ● |   |   |   |   |   |    |    |    |    |    |    |    |    |    |
| 0511 | AUTO AIR VENT WITH O-RING       | 995865      |      | ●   | ● | ● | ● |   |   |   |   |   |    |    |    |    |    |    |    |    |    |
| 0513 | FIXING BRACKET (RETURN PIPE)    | 65100038    |      | ●   | ● | ● | ● |   |   |   |   |   |    |    |    |    |    |    |    |    |    |
| 0514 | U-CLIP                          | 65100421    |      | ●   | ● | ● | ● |   |   |   |   |   |    |    |    |    |    |    |    |    |    |
| 0516 | WATER/WATER HEAT BLOCK ASSY     | 61313050    |      | ●   | ● | ● | ● |   |   |   |   |   |    |    |    |    |    |    |    |    |    |
| 0518 | O-RING D: 17-4                  | 60024164-51 |      | ●   | ● | ● | ● |   |   |   |   |   |    |    |    |    |    |    |    |    |    |
| 0520 | SCREW CX M 5-12                 | 61011224    |      | ●   | ● | ● | ● |   |   |   |   |   |    |    |    |    |    |    |    |    |    |
| 0521 | PLUG (DIVERter VALVE)           | 990390      |      | ●   | ● | ● | ● |   |   |   |   |   |    |    |    |    |    |    |    |    |    |
| 0522 | WATER / WATER HEAT EXCHANGER 16 | 61314111    |      | ●   | ● | ● | ● |   |   |   |   |   |    |    |    |    |    |    |    |    |    |
| 0523 | O-RING D: 13.6-2.7              | 60021061-18 |      | ●   | ● | ● | ● |   |   |   |   |   |    |    |    |    |    |    |    |    |    |
| 0525 | PIN                             | 61313804    |      | ●   | ● | ● | ● |   |   |   |   |   |    |    |    |    |    |    |    |    |    |
| 0526 | U-CLIP                          | 990385      |      | ●   | ● | ● | ● |   |   |   |   |   |    |    |    |    |    |    |    |    |    |
| 0529 | SCREW HX M 5-12                 | 61010131    |      | ●   | ● | ● | ● |   |   |   |   |   |    |    |    |    |    |    |    |    |    |
| 0530 | SCREW HSX M 4-8                 | 61016449    |      | ●   | ● | ● | ● |   |   |   |   |   |    |    |    |    |    |    |    |    |    |
| 0532 | O-RING                          | 990387      |      | ●   | ● | ● | ● |   |   |   |   |   |    |    |    |    |    |    |    |    |    |
| 0534 | GASKET                          | 65100513    |      | ●   | ● | ● | ● |   |   |   |   |   |    |    |    |    |    |    |    |    |    |
| 0538 | PUMP MOTOR                      | 61315654    |      | ●   | ● | ● | ● |   |   |   |   |   |    |    |    |    |    |    |    |    |    |
| 0540 | GASKET (PUMP HEAD)              | 998738      |      | ●   | ● | ● | ● |   |   |   |   |   |    |    |    |    |    |    |    |    |    |
| 0543 | D.H.W. FLOW SWITCH              | 995948      |      | ●   | ● | ● | ● |   |   |   |   |   |    |    |    |    |    |    |    |    |    |
| 0548 | CLIP                            | 61010609    |      | ●   | ● | ● | ● |   |   |   |   |   |    |    |    |    |    |    |    |    |    |
| 0553 | SCREW (M4X16)                   | 65101433    |      | ●   | ● | ● | ● |   |   |   |   |   |    |    |    |    |    |    |    |    |    |
| 0556 | SCREW (M6X15)                   | 65101434    |      | ●   | ● | ● | ● |   |   |   |   |   |    |    |    |    |    |    |    |    |    |
| 0564 | WASHER D: 18.4-12.2-1.5         | 60061855-14 |      | ●   | ● | ● | ● |   |   |   |   |   |    |    |    |    |    |    |    |    |    |
| 0566 | MANIFOLD (C.W. INLET)           | 65101009    |      | ●   | ● | ● | ● |   |   |   |   |   |    |    |    |    |    |    |    |    |    |
| 0569 | EXCHANGER GASKET                | 65104334    |      | ●   | ● | ● | ● |   |   |   |   |   |    |    |    |    |    |    |    |    |    |
| 0570 | SPRING (DIVERter VALVE)         | 65101008    |      | ●   | ● | ● | ● |   |   |   |   |   |    |    |    |    |    |    |    |    |    |
| 0574 | ASSEMBLED SHUTTER               | 65105144    |      | ●   | ● | ● | ● |   |   |   |   |   |    |    |    |    |    |    |    |    |    |
| 0575 | O-RING                          | 990392      |      | ●   | ● | ● | ● |   |   |   |   |   |    |    |    |    |    |    |    |    |    |
| 0579 | BYPASS TUBE                     | 61313869    |      | ●   | ● | ● | ● |   |   |   |   |   |    |    |    |    |    |    |    |    |    |
| 0580 | O-RING                          | 990393      |      | ●   | ● | ● | ● |   |   |   |   |   |    |    |    |    |    |    |    |    |    |
| 0581 | FLANGE (C.H. RETURN)            | 995932      |      | ●   | ● | ● | ● |   |   |   |   |   |    |    |    |    |    |    |    |    |    |
| 0582 | MANIFOLD (C.H. RETURN)          | 65104681    |      | ●   | ● | ● | ● |   |   |   |   |   |    |    |    |    |    |    |    |    |    |
| 0585 | O-RING                          | 995976      |      | ●   | ● | ● | ● |   |   |   |   |   |    |    |    |    |    |    |    |    |    |
| 0586 | O-RING                          | 998424      |      | ●   | ● | ● | ● |   |   |   |   |   |    |    |    |    |    |    |    |    |    |
| 0587 | GASKET 3/8                      | 573521      |      | ●   | ● | ● | ● |   |   |   |   |   |    |    |    |    |    |    |    |    |    |
| 0591 | SCREW CBLS M 5-22               | 61314408    |      | ●   | ● | ● | ● |   |   |   |   |   |    |    |    |    |    |    |    |    |    |
| 0592 | SERVICE KIT (DIVERter VALVE)    | 65101288    |      | ●   | ● | ● | ● |   |   |   |   |   |    |    |    |    |    |    |    |    |    |

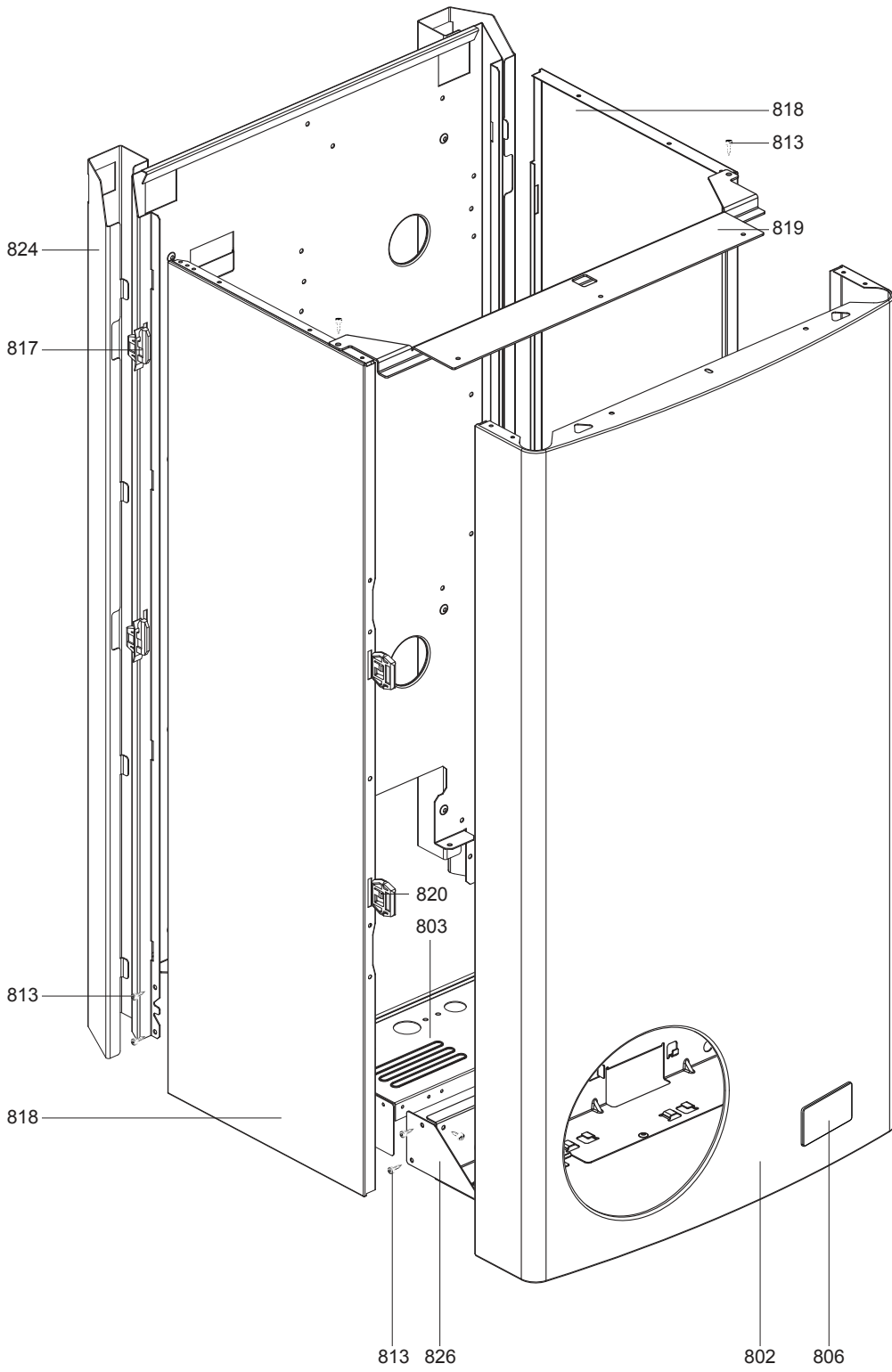




| ☉→          | Description                  | Manf. Pt. N | Type | <div style="display: flex; justify-content: space-between; align-items: center;"> <div style="transform: rotate(-45deg); font-size: small;">           AMPHORA DELTA 24 CF<br/>           AMPHORA DELTA 24 VMC<br/>           AMPHORA DELTA 24 FF<br/>           AMPHORA DELTA 28 FF         </div> <div style="border: 1px solid black; padding: 2px;">31</div> </div> |   |   |   |   |   |   |   |   |    |    |    |    |    |    |    |    |    |
|-------------|------------------------------|-------------|------|---|---|---|---|---|---|---|---|---|----|----|----|----|----|----|----|----|----|
|             |                              |             |      | 1   | 2 | 3 | 4 | 5 | 6 | 7 | 8 | 9 | 10 | 11 | 12 | 13 | 14 | 15 | 16 | 17 | 18 |
| <b>0600</b> | <b>HOT WATER TANK</b>        |             |      |   |   |   |   |   |   |   |   |   |    |    |    |    |    |    |    |    |    |
| 0601        | HOT WATER TANK 20L           | 61313378    |      | •   | • | • | • |   |   |   |   |   |    |    |    |    |    |    |    |    |    |
|             | GASKET                       | 61317345    |      | •   | • | • | • |   |   |   |   |   |    |    |    |    |    |    |    |    |    |
| 0602        | DRAIN SCREW ASSY             | 60081028    |      | •   | • | • | • |   |   |   |   |   |    |    |    |    |    |    |    |    |    |
| 0603        | PROBE NTC                    | 65101435    |      | •   | • | • | • |   |   |   |   |   |    |    |    |    |    |    |    |    |    |
| 0604        | CLIP                         | 61012983    |      | •   | • | • | • |   |   |   |   |   |    |    |    |    |    |    |    |    |    |
| 0605        | CLIP                         | 61010609    |      | •   | • | • | • |   |   |   |   |   |    |    |    |    |    |    |    |    |    |
| 0608        | SHORT CIRCUIT TUBE           | 61313098    |      | •   | • | • | • |   |   |   |   |   |    |    |    |    |    |    |    |    |    |
| 0609        | BY-PASS                      | 999473      |      | •   | • | • | • |   |   |   |   |   |    |    |    |    |    |    |    |    |    |
| 0610        | HEATING FLOW BEND            | 61313806    |      | •   | • | • | • |   |   |   |   |   |    |    |    |    |    |    |    |    |    |
| 0611        | PLUG                         | 61313809    |      | •   | • | • | • |   |   |   |   |   |    |    |    |    |    |    |    |    |    |
| 0612        | U-CLIP                       | 990385      |      | •   | • | • | • |   |   |   |   |   |    |    |    |    |    |    |    |    |    |
| 0614        | SUPPORT                      | 61303369    |      | •   | • | • | • |   |   |   |   |   |    |    |    |    |    |    |    |    |    |
| 0615        | SCREW HSX M 5-8              | 61302631    |      | •   | • | • | • |   |   |   |   |   |    |    |    |    |    |    |    |    |    |
| 0619        | SCREW HSX M 4-8              | 61016449    |      | •   | • | • | • |   |   |   |   |   |    |    |    |    |    |    |    |    |    |
| 0620        | THERMISTOR                   | 61314258    |      | •   | • | • | • |   |   |   |   |   |    |    |    |    |    |    |    |    |    |
| 0625        | U-CLIP                       | 997153      |      | •   | • | • | • |   |   |   |   |   |    |    |    |    |    |    |    |    |    |
| 0628        | O-RING                       | 998424      |      | •   | • | • | • |   |   |   |   |   |    |    |    |    |    |    |    |    |    |
| 0629        | COLD WATER TUBE              | 61401039    |      | •   | • | • | • |   |   |   |   |   |    |    |    |    |    |    |    |    |    |
| 0630        | GASKET 3/4                   | 573520      |      | •   | • | • | • |   |   |   |   |   |    |    |    |    |    |    |    |    |    |
| 0632        | O-RING D: 17-4               | 60024164-51 |      | •   | • | • | • |   |   |   |   |   |    |    |    |    |    |    |    |    |    |
| 0635        | HOT WATER BEND               | 61313084    |      | •   | • | • | • |   |   |   |   |   |    |    |    |    |    |    |    |    |    |
| 0636        | WASHER D: 18.4-12.2-1.5      | 60061855-14 |      | •   | • | • | • |   |   |   |   |   |    |    |    |    |    |    |    |    |    |
| 0637        | PRESSURE RELIEF VALVE 7 BARS | 61304749    |      | •   | • | • | • |   |   |   |   |   |    |    |    |    |    |    |    |    |    |
| 0638        | TUBE PVC D: 13x17 L: 1M      | 60081266-02 |      | •   | • | • | • |   |   |   |   |   |    |    |    |    |    |    |    |    |    |
| 0639        | NUT 1/2» THICK: 12           | 60020747-28 |      | •   | • | • | • |   |   |   |   |   |    |    |    |    |    |    |    |    |    |
| 0640        | PRESSURE RELIEF VALVE KIT    | 61317360    |      | •   | • | • | • |   |   |   |   |   |    |    |    |    |    |    |    |    |    |
| 0641        | CONNECTING PIPE              | 61010430    |      | •   | • | • | • |   |   |   |   |   |    |    |    |    |    |    |    |    |    |
| 0642        | EXPANSION VESSEL 7L          | 65100471    |      | •   | • | • | • |   |   |   |   |   |    |    |    |    |    |    |    |    |    |
| 0643        | CLIP                         | 61001674    |      | •   | • | • | • |   |   |   |   |   |    |    |    |    |    |    |    |    |    |
| 0644        | PIPE (EXPANSION VESSEL)      | 61314399    |      | •   | • | • | • |   |   |   |   |   |    |    |    |    |    |    |    |    |    |
| 0645        | O-RING                       | 995976      |      | •   | • | • | • |   |   |   |   |   |    |    |    |    |    |    |    |    |    |
| 0646        | O-RING D: 13.6-2.7           | 60021061-18 |      | •   | • | • | • |   |   |   |   |   |    |    |    |    |    |    |    |    |    |
| 0647        | O-RING D: 12.3-2.4           | 60024164-47 |      | •   | • | • | • |   |   |   |   |   |    |    |    |    |    |    |    |    |    |
| 0648        | GASKET 3/8                   | 573521      |      | •   | • | • | • |   |   |   |   |   |    |    |    |    |    |    |    |    |    |
| 0649        | SAFETY VALVE                 | 998447      |      | •   | • | • | • |   |   |   |   |   |    |    |    |    |    |    |    |    |    |
| 0650        | VALVE 7 BARS                 | 60000437    |      | •   | • | • | • |   |   |   |   |   |    |    |    |    |    |    |    |    |    |
| 0652        | GASKET 1/2                   | 573528      |      | •   | • | • | • |   |   |   |   |   |    |    |    |    |    |    |    |    |    |
| 0655        | OVERHEAT THERMOSTAT 100C     | 61010572    |      | •   | • | • | • |   |   |   |   |   |    |    |    |    |    |    |    |    |    |
| 0656        | CLIP                         | 61010050    |      | •   | • | • | • |   |   |   |   |   |    |    |    |    |    |    |    |    |    |
| 0657        | EXPANSION VESSEL TUBE        | 61313938    |      | •   | • | • | • |   |   |   |   |   |    |    |    |    |    |    |    |    |    |
| 0658        | FLOW GROUP                   | 65100469    |      | •   | • | • | • |   |   |   |   |   |    |    |    |    |    |    |    |    |    |
| 0659        | EXPANSION VESSEL 0.5L        | 65101005    |      | •   | • | • | • |   |   |   |   |   |    |    |    |    |    |    |    |    |    |
| 0660        | SPRING                       | 65100449    |      | •   | • | • | • |   |   |   |   |   |    |    |    |    |    |    |    |    |    |
| 0661        | O-RING D: 8.9-2.7            | 61009834-14 |      | •   | • | • | • |   |   |   |   |   |    |    |    |    |    |    |    |    |    |
| 0662        | WATER RESTRICTOR D: 18.4     | 60000228    |      | •   | • | • | • |   |   |   |   |   |    |    |    |    |    |    |    |    |    |



| ☉⇒   | Description                   | Manf. Pt. N | Type | <div style="display: flex; justify-content: space-between; align-items: center;"> <div style="writing-mode: vertical-rl; transform: rotate(180deg); font-size: small;">           AMPHORA DELTA 24 CF<br/>           AMPHORA DELTA 24 VMC<br/>           AMPHORA DELTA 24 FF<br/>           AMPHORA DELTA 28 FF         </div> <div style="border: 1px solid black; padding: 2px;">31</div> </div> |   |   |   |   |   |   |   |   |    |    |    |    |    |    |       |    |    |
|------|-------------------------------|-------------|------|--|---|---|---|---|---|---|---|---|----|----|----|----|----|----|-------|----|----|
|      |                               |             |      | 1  | 2 | 3 | 4 | 5 | 6 | 7 | 8 | 9 | 10 | 11 | 12 | 13 | 14 | 15 | 16    | 17 | 18 |
| 0700 | ELECTRICAL BOX                |             |      |  |   |   |   |   |   |   |   |   |    |    |    |    |    |    |       |    |    |
| 0701 | BASE - BOX                    | 61303242    |      | ●  | ● | ● | ● |   |   |   |   |   |    |    |    |    |    |    |       |    |    |
| 0702 | CONNECTION STRIP              | 61002725    |      | ●  | ● | ● | ● |   |   |   |   |   |    |    |    |    |    |    |       |    |    |
| 0703 | GASKET 1/4                    | 569390      |      | ●  | ● | ● | ● |   |   |   |   |   |    |    |    |    |    |    |       |    |    |
| 0705 | PRESSURE GAUGE                | 61314357    |      | ●  | ● | ● | ● |   |   |   |   |   |    |    |    |    |    |    |       |    |    |
| 0706 | TRANSMITTER OF LEDS           | 61303464    |      | ●  | ● | ● | ● |   |   |   |   |   |    |    |    |    |    |    |       |    |    |
| 0707 | PRINTED CIRCUIT BOARDS        | 60000390    |      | ●  | ● | ● | ● |   |   |   |   |   |    |    |    |    |    |    | 10/06 |    |    |
|      | PRINTED CIRCUIT BOARDS        | 60000484    |      | ●  | ● | ● | ● |   |   |   |   |   |    |    |    |    |    |    | 11/06 |    |    |
| 0708 | TAPPING SCREW D: 3.5-9.5      | 61015329    |      | ●  | ● | ● | ● |   |   |   |   |   |    |    |    |    |    |    |       |    |    |
| 0709 | IGNITER                       | 61002105-20 |      | ●  | ● | ● | ● |   |   |   |   |   |    |    |    |    |    |    | 10/06 |    |    |
| 0710 | SUPPORT BRACKET               | 61304977    |      | ●  | ● | ● | ● |   |   |   |   |   |    |    |    |    |    |    |       |    |    |
| 0711 | ELECTRICAL BOX COVER          | 61309689    |      | ●  | ● | ● | ● |   |   |   |   |   |    |    |    |    |    |    | 03/04 |    |    |
| 0712 | SIGHT GLASS                   | 61303830    |      | ●  | ● | ● | ● |   |   |   |   |   |    |    |    |    |    |    |       |    |    |
| 0713 | LOWER PANEL - DOOR            | 61314686    |      | ●  | ● | ● | ● |   |   |   |   |   |    |    |    |    |    |    |       |    |    |
| 0714 | WHITE KNOB                    | 61313799    |      | ●  | ● | ● | ● |   |   |   |   |   |    |    |    |    |    |    |       |    |    |
| 0723 | DOOR ASSY                     | 61317011    |      | ●  | ● | ● | ● |   |   |   |   |   |    |    |    |    |    |    |       |    |    |
| 0725 | THERMOSTAT CABLE              | 61312402    |      | ●  | ● | ● | ● |   |   |   |   |   |    |    |    |    |    |    |       |    |    |
| 0726 | FUSE 250V 2A - TEMPORIZED     | 61003456    |      | ●  | ● | ● | ● |   |   |   |   |   |    |    |    |    |    |    |       |    |    |
| 0727 | FUSE 250V 1.25A - TEMPORIZED  | 61003635    |      | ●  | ● | ● | ● |   |   |   |   |   |    |    |    |    |    |    |       |    |    |
| 0728 | FUSE 250V 0.315A - TEMPORIZED | 61307845    |      | ●  | ● | ● | ● |   |   |   |   |   |    |    |    |    |    |    |       |    |    |
| 0730 | CABLAGGIO D ALIMENTAZIONE     | 61311903    |      | ●  | ● | ● | ● |   |   |   |   |   |    |    |    |    |    |    |       |    |    |
| 0731 | CABLE                         | 61305217    |      | ●  | ● |   |   |   |   |   |   |   |    |    |    |    |    |    | 10/06 |    |    |
|      | CABLE                         | 61311871    |      | ●  | ● |   |   |   |   |   |   |   |    |    |    |    |    |    | 11/06 |    |    |
| 0732 | CABLE                         | 60000563    |      |  |   |   | ● | ● |   |   |   |   |    |    |    |    |    |    | 11/06 |    |    |
|      | CABLE                         | 61310977    |      |  |   |   | ● | ● |   |   |   |   |    |    |    |    |    |    | 10/06 |    |    |
| 0733 | WIRE ASSEMBLY                 | 60000524    |      | ●  |   |   |   |   |   |   |   |   |    |    |    |    |    |    | 11/06 |    |    |
|      | WIRE ASSEMBLY                 | 61314366    |      |  |   |   | ● | ● |   |   |   |   |    |    |    |    |    |    | 10/06 |    |    |
|      | WIRE ASSEMBLY                 | 61314368    |      | ●  |   |   |   |   |   |   |   |   |    |    |    |    |    |    | 10/06 |    |    |
|      | WIRE ASSEMBLY                 | 61315548    |      |  |   |   | ● |   |   |   |   |   |    |    |    |    |    |    | 10/06 |    |    |
|      | WIRE ASSEMBLY                 | 60000561    |      |  |   |   |   | ● | ● |   |   |   |    |    |    |    |    |    | 11/06 |    |    |
|      | WIRE ASSEMBLY                 | 60000560    |      |  |   |   | ● |   |   |   |   |   |    |    |    |    |    |    | 11/06 |    |    |
| 0734 | EARTH WIRE                    | 61305498    |      | ●  | ● | ● | ● |   |   |   |   |   |    |    |    |    |    |    |       |    |    |
| 0742 | CABLE (PUMP)                  | 65100481    |      | ●  | ● | ● | ● |   |   |   |   |   |    |    |    |    |    |    |       |    |    |
| 0748 | PRINTED CIRCUIT BOARD         | 61313103    |      | ●  | ● | ● | ● |   |   |   |   |   |    |    |    |    |    |    |       |    |    |

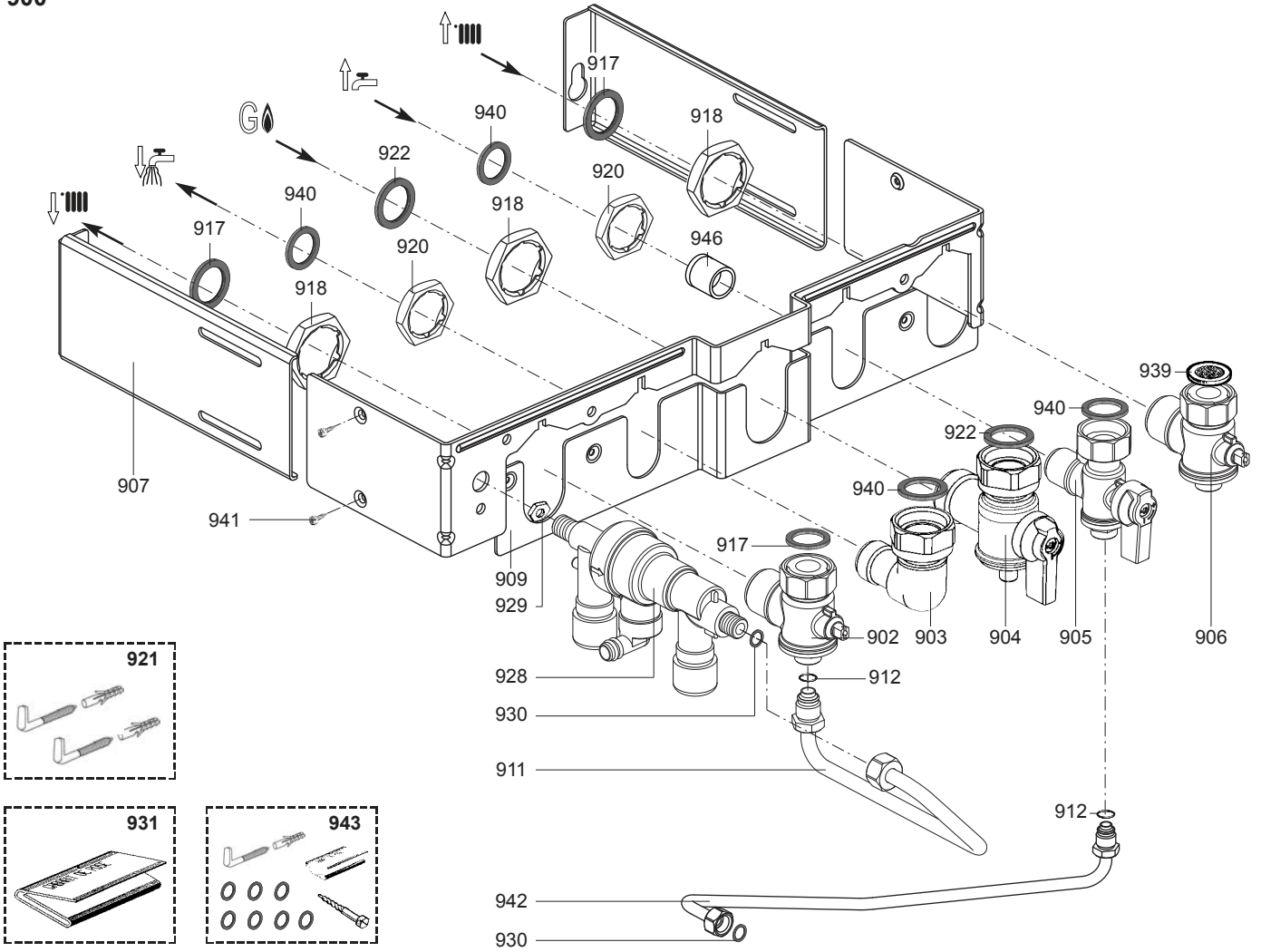




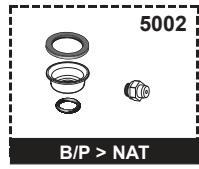
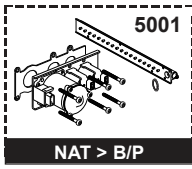
900

AMPHORA DELTA

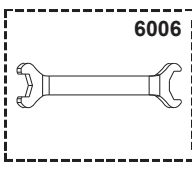
Domestic Gas Boilers



5000



6000



| ☉⇒          | Description                         | Manf. Pt. N | Type | <div style="display: flex; justify-content: space-between; align-items: center;"> <div style="writing-mode: vertical-rl; transform: rotate(180deg); font-size: 8px;">           AMPHORA DELTA 24 CF<br/>           AMPHORA DELTA 24 VMC<br/>           AMPHORA DELTA 24 FF<br/>           AMPHORA DELTA 28 FF         </div> <div style="border: 1px solid black; padding: 2px;">31</div> </div> |   |   |   |   |   |   |   |   |    |    |    |    |    |       |       |    |    |
|-------------|-------------------------------------|-------------|------|--|---|---|---|---|---|---|---|---|----|----|----|----|----|-------|-------|----|----|
|             |                                     |             |      | 1  | 2 | 3 | 4 | 5 | 6 | 7 | 8 | 9 | 10 | 11 | 12 | 13 | 14 | 15    | 16    | 17 | 18 |
| <b>0900</b> | <b>JIG PLATE &amp; PIPE FITTING</b> |             |      |  |   |   |   |   |   |   |   |   |    |    |    |    |    |       |       |    |    |
| 0902        | WATER RETURN SERVICE TAP            | 61313031    |      | •  | • | • | • |   |   |   |   |   |    |    |    |    |    |       |       |    |    |
| 0903        | CONNECTION                          | 61316027    |      | •  | • | • | • |   |   |   |   |   |    |    |    |    |    |       |       |    |    |
| 0904        | GAS SERVICE TAP                     | 61313104    |      | •  | • | • | • |   |   |   |   |   |    |    |    |    |    |       |       |    |    |
| 0905        | COLD WATER TAP                      | 61316028    |      | •  | • | • | • |   |   |   |   |   |    |    |    |    |    |       |       |    |    |
| 0906        | WATER FLOW & RETURN SERVI. TAP      | 61311247    |      | •  | • | • | • |   |   |   |   |   |    |    |    |    |    |       |       |    |    |
| 0907        | LEFT SUPPORT                        | 61313946    |      | •  | • | • | • |   |   |   |   |   |    |    |    |    |    |       |       |    |    |
| 0909        | BOTTOM STAY PLATE                   | 61315384    |      | •  | • | • | • |   |   |   |   |   |    |    |    |    |    |       |       |    |    |
| 0911        | DISCONNECTOR TUBE                   | 60000264    |      | •  | • | • | • |   |   |   |   |   |    |    |    |    |    | 02/06 |       |    |    |
|             | DISCONNECTOR TUBE                   | 61315389    |      | •  | • | • | • |   |   |   |   |   |    |    |    |    |    |       | 01/06 |    |    |
| 0912        | O-RING D: 6-1                       | 61009834-41 |      | •  | • | • | • |   |   |   |   |   |    |    |    |    |    |       |       |    |    |
| 0917        | SHEET GASKET D: 24-17-1.5           | 60061855-19 |      | •  | • | • | • |   |   |   |   |   |    |    |    |    |    |       |       |    |    |
| 0918        | LOCK NUT                            | 60031140    |      | •  | • | • | • |   |   |   |   |   |    |    |    |    |    |       |       |    |    |
| 0920        | CONTRODADO H 1/2                    | 60031139    |      | •  | • | • | • |   |   |   |   |   |    |    |    |    |    |       |       |    |    |
| 0921        | FIXING KIT                          | 61303711    |      | •  | • | • | • |   |   |   |   |   |    |    |    |    |    |       |       |    |    |
| 0922        | SHEET GASKET D: 24-18.2-1.5         | 60022835-01 |      | •  | • | • | • |   |   |   |   |   |    |    |    |    |    |       |       |    |    |
| 0928        | DISCONNECTOR                        | 60000263    |      | •  | • | • | • |   |   |   |   |   |    |    |    |    |    | 02/06 |       |    |    |
|             | DISCONNECTOR KIT                    | 60081664    |      | •  | • | • | • |   |   |   |   |   |    |    |    |    |    |       | 01/06 |    |    |
| 0929        | NUT H M 10-1                        | 60031825-08 |      | •  | • | • | • |   |   |   |   |   |    |    |    |    |    |       |       |    |    |
| 0930        | SHEET GASKET D: 8.5-4.1-1.5         | 60061852-12 |      | •  | • | • | • |   |   |   |   |   |    |    |    |    |    |       |       |    |    |
| 0931        | JIG PLATE                           | 61314173    |      | •  | • | • | • |   |   |   |   |   |    |    |    |    |    |       |       |    |    |
|             | JIG PLATE (REPLACEMENT)             | 61316345    |      | •  | • | • | • |   |   |   |   |   |    |    |    |    |    |       |       |    |    |
| 0939        | WATER FILTER                        | 60039803    |      | •  | • | • | • |   |   |   |   |   |    |    |    |    |    |       |       |    |    |
| 0940        | WASHER D: 18.4-12.2-1.5             | 60061855-14 |      | •  | • | • | • |   |   |   |   |   |    |    |    |    |    |       |       |    |    |
| 0941        | TAPPING SCREW CBLSX D: 4.2-9.5      | 61010125    |      | •  | • | • | • |   |   |   |   |   |    |    |    |    |    |       |       |    |    |
| 0942        | FILLER NECK                         | 61315386    |      | •  | • | • | • |   |   |   |   |   |    |    |    |    |    |       |       |    |    |
| 0943        | ACCESSORY KIT                       | 61316104    |      | •  | • | • | • |   |   |   |   |   |    |    |    |    |    |       |       |    |    |
| 0946        | FLOW REGULATOR 8L A/R               | 60000192    |      | •  | • | • | • |   |   |   |   |   |    |    |    |    |    |       |       |    |    |
|             | FLOW REGULATOR 12L A/R              | 61303380    |      | •  | • | • | • |   |   |   |   |   |    |    |    |    |    |       |       |    |    |
|             | FLOW REGULATOR 10L A/R              | 61317638    |      | •  | • | • | • |   |   |   |   |   |    |    |    |    |    |       |       |    |    |
| <b>5000</b> | <b>ACCESSORIES</b>                  |             |      |  |   |   |   |   |   |   |   |   |    |    |    |    |    |       |       |    |    |
| 5001        | CONVERSION KIT NAT > LPG            | 60000605    |      | •  | • |   |   |   |   |   |   |   |    |    |    |    |    | 11/06 |       |    |    |
|             | CONVERSION KIT NAT > LPG            | 60000607    |      |  |   |   | • | • |   |   |   |   |    |    |    |    |    | 11/06 |       |    |    |
|             | CONVERSION KIT NAT > LPG            | 61317256    |      | •  | • |   |   |   |   |   |   |   |    |    |    |    |    |       | 10/06 |    |    |
|             | CONVERSION KIT NAT > LPG            | 61317257    |      |  |   |   | • |   |   |   |   |   |    |    |    |    |    |       | 10/06 |    |    |
|             | CONVERSION KIT NAT > LPG            | 61317258    |      |  |   |   |   | • |   |   |   |   |    |    |    |    |    |       | 10/06 |    |    |
| 5002        | CONVERSION KIT LPG > NAT            | 60000606    |      | •  | • |   |   |   |   |   |   |   |    |    |    |    |    | 11/06 |       |    |    |
|             | CONVERSION KIT LPG > NAT            | 60000608    |      |  |   |   | • | • |   |   |   |   |    |    |    |    |    | 11/06 |       |    |    |
| <b>6000</b> | <b>MAINTENANCE</b>                  |             |      |  |   |   |   |   |   |   |   |   |    |    |    |    |    |       |       |    |    |
| 6006        | KEY                                 | 61317335    |      | •  | • | • | • |   |   |   |   |   |    |    |    |    |    |       |       |    |    |

## LIST OF THE ABBREVIATIONS

|             |  |
|-------------|--|
| HW .....    | : Hot water.                                   |
| CW .....    | : Cold water.                                  |
| C .....     | : Ceramic resistance (normal heating).         |
| Ca .....    | : Ceramic resistance (accelerated heating)     |
| TP .....    | : Immersion heater.                            |
| 1F .....    | : With fittings.                               |
| 2F .....    | : Without fittings.                            |
| 3F .....    | : With fittings and another outlet connection. |
| AMI .....   | : With mixing valve.                           |
| SMI .....   | : Without mixing valve.                        |
| PUISS ..... | : Power of th appliance.                       |
| PN .....    | : Appliance with normal pression.              |
| LP .....    | : Appliance with low pression.                 |
| PV .....    | : Appliance with variable power.               |
| PF .....    | : Appliance with fixed power.                  |

## IDENTIFICATION PLATE

### SERIAL NUMBER

|                             |                           |                                   |
|-----------------------------|---------------------------|-----------------------------------|
| <b>10 Characters :</b>      | 04 05 125 011             |                                   |
|                             | _____                     | Sequential number                 |
|                             | _____                     | Manufacturing day                 |
|                             | _____                     | Year of manufacture               |
| <b>11 Characters :</b>      | 1 95 065004 - 31          |                                   |
| Month of manufacture :      | _____                     | Technical number of the appliance |
| from 1 to 9 → Jan. to Sep., | _____                     | Sequential number                 |
| O → Oct., N → Nov.,         | _____                     | Year of manufacture               |
| D → Dec.                    | _____                     |                                   |
| <b>19 Characters :</b>      | 08 05 0013199 900640031   |                                   |
| Year of manufacture         | _____                     | Product reference                 |
| Month of manufacture        | _____                     | Sequential number                 |
| <b>20 Characters :</b>      | 3675007 XX 2 07 070 00315 |                                   |
| Product reference           | _____                     | Sequential number                 |
| Millenium of manufacture    | _____                     | Manufacturing day                 |
|                             | _____                     | Year of manufacture               |
| <b>21 Characters :</b>      | 3675007 XX 07 070 0000315 |                                   |
| Product reference           | _____                     | Sequential number                 |
| Year of manufacture         | _____                     | Manufacturing day                 |

The indications mentioned on the prices, commercial or technical literature and the scheme are written for your guidance and are available at a given time. The CONSTRUCTOR retains the power to modify the presentation, the form, the size, the conception or the material of the products.