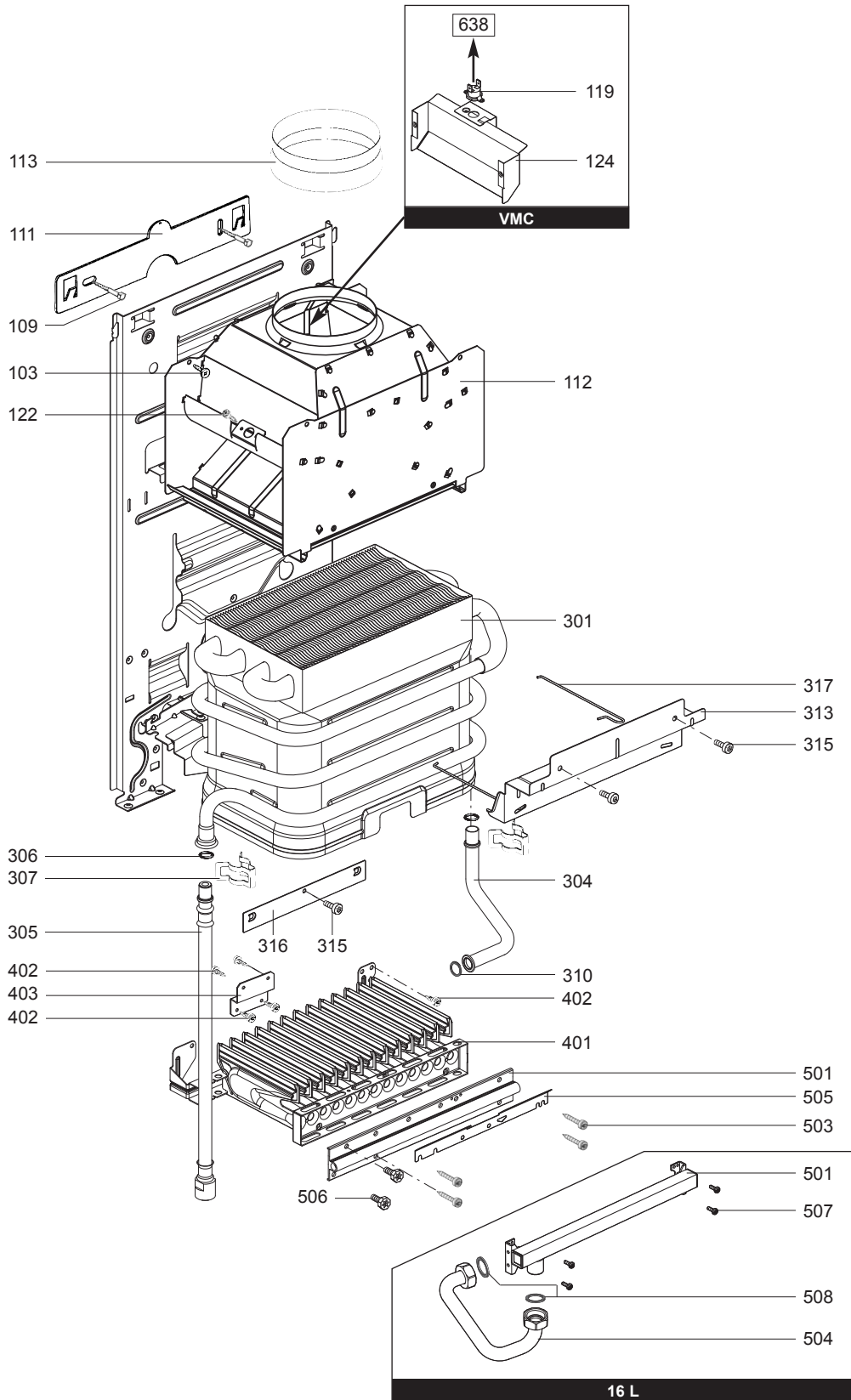


SPARE PARTS EXPLODED VIEW  
INSTANTANEOUS GAS WATER HEATERS  
Model  
**FLUENDO P**

R8202806-11 - 11/05/2016

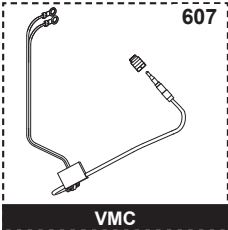
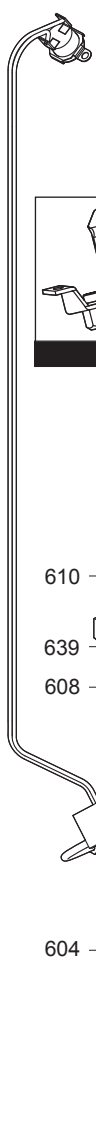
1	3675007	FLUENDO 11 CF P NAT FR	08-2004	12-2014
1	3675008	FLUENDO 11 CF P GPL FR	07-2004	12-2014
2	3675011	FLUENDO 14 CF P NAT FR	08-2004	12-2014
2	3675012	FLUENDO 14 CF P GPL FR	07-2004	12-2014
3	3675057	FLUENDO 16 CF P NAT FR	01-2008	12-2014
3	3675061	FLUENDO 16 CF P GPL FR	09-2007	12-2014
4	3675015	FLUENDO 11 VMC P NAT FR/BE	10-2005	05-2009
5	3675016	FLUENDO 14 VMC P NAT FR/BE	10-2005	05-2009

Col	Reference	Model type	Begin	End
-----	-----------	------------	-------	-----



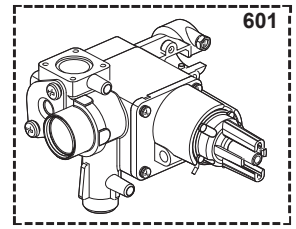
Description	Manf. Pt. N	Type	<div style="display: flex; justify-content: space-between; align-items: center;"> <div style="writing-mode: vertical-rl; transform: rotate(180deg); font-size: small;">           FLUENDO 11 CF P            FLUENDO 14 CF P            FLUENDO 16 CF P            FLUENDO 11 VMC P            FLUENDO 14 VMC P         </div> <div style="border: 1px solid black; padding: 2px;">  31         </div> </div>																		From	to
			1	2	3	4	5	6	7	8	9	10	11	12	13	14	15	16	17	18		
<b>0100 CHASSIS</b>																						
0103 TAPPING SCREW CBLX D: 4.2-9.5	61010125			•	•	•																
0109 WOOD SCREW	60025617-03			•	•	•	•	•														
0111 HOOKING BRACKET	61007192			•	•	•	•	•														
0112 DRAUGHT DIVERTER	60000257							•														
DRAUGHT DIVERTER	60000267								•													
DRAUGHT DIVERTER	61312867				•																	
DRAUGHT DIVERTER	61313037			•																		
0113 FLUE SPIGOT	61012134					•																
0119 OVERHEAT THERMOSTAT 95C	61010888								•	•												
0122 TAPPING SCREW CBLZ D: 3.5-6.5	60031521-03			•	•			•	•													
0124 DEFLECTOR	60000261								•	•												
<b>0300 HEATING BODY</b>																						
0301 HEAT EXCHANGER	60000908					•																
HEATING BODY	61313878-01			•					•													
HEATING BODY	61313901-01					•				•												
0304 COLD WATER TUBE	60000909					•				•											04/08	
COLD WATER TUBE	60000909					•				•												
COLD WATER TUBE	60001168			•						•											05/08	
COLD WATER TUBE	60001169					•					•										05/08	
COLD WATER TUBE	61313435			•						•											04/08	
0305 HOT WATER FLEXIBLE PIPE	61313860			•	•	•	•	•														
0306 O-RING 12.3X2.4	60024164-47			•	•	•	•	•														
0307 CLIP	61001674			•	•	•	•	•														
0310 O-RING 12.3X2.4	60024164-47			•	•	•	•	•													05/08	
WASHER D: 18.4-12.2-1.5	60061855-14			•	•			•	•												04/08	
WASHER D: 18.4-12.2-1.5	60061855-14							•														
0313 BEARING PLATE	61312592					•				•												
BEARING PLATE	61312812			•						•												
0315 TAPPING SCREW CBLX D: 4.2-9.5	61010125			•	•	•	•	•														
0316 FIXING BRACKET	61313749			•	•	•	•	•														
0317 FASTENER	61315211			•	•			•	•													
<b>0400 BURNER HEAD</b>																						
0401 BURNER HEAD	60000258									•												
BURNER HEAD	60000268										•											
BURNER HEAD	60001005							•														
BURNER HEAD	61313218							•														
BURNER HEAD	61313219			•																		
0402 TAPPING SCREW CBLX D: 4.2-9.5	61010125			•	•	•	•	•														
0403 BURNER SUPPORT	60000912							•														
<b>0500 MANIFOLD</b>																						
0501 MANIFOLD 13 INJ. LPG	61314819	B/P		•																		
MANIFOLD 13 INJ. NAT	61313879	NAT		•					•													
MANIFOLD 14 INJ. LPG	60001021	B/P						•														
MANIFOLD 14 INJ. NAT	60001006	NAT							•													
MANIFOLD 16 INJ. LPG	61314821	B/P						•														
MANIFOLD 16 INJ. NAT	61314820	NAT							•						•							
0503 TAPPING SCREW CBLX D: 4.2-25	61010128			•	•					•	•											
0504 GAS TUBE	60001007									•												
0505 DEFLECTOR	61314788			•	•					•	•											
0506 SCREW HX M 5-12	61010131			•	•					•	•											
0507 SCREW CLXS M 4-12	61015153									•												
0508 WASHER D: 18.4-12.2-1.5	60061855-14									•												

600

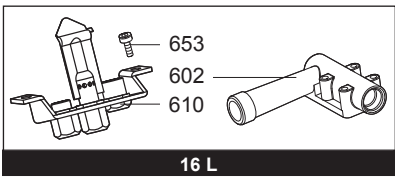


607

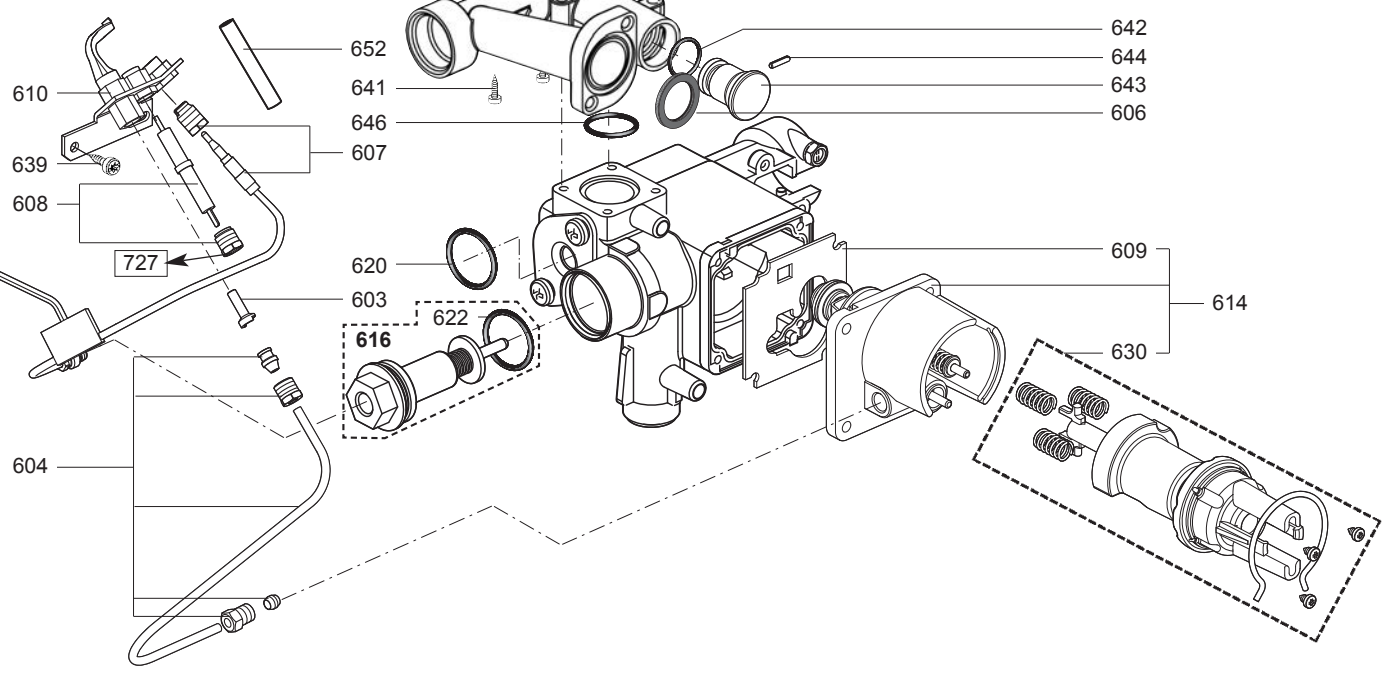
VMC



601



16 L



610

639

608

727

604

652

641

646

620

603

616

605

602

642

644

643

606

622

605

602

642

644

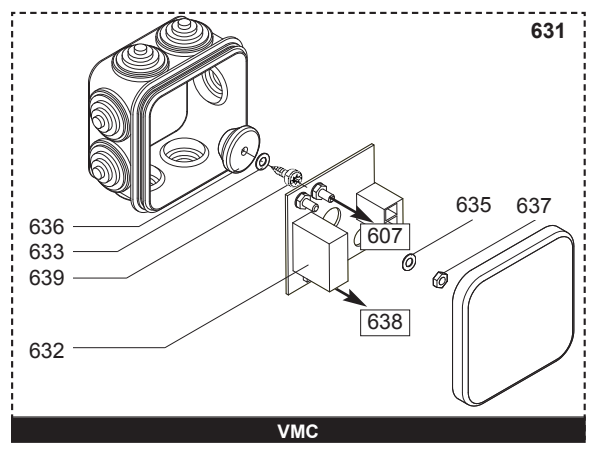
643

606

609

614

630



631

636

633

639

632

607

638

635

637

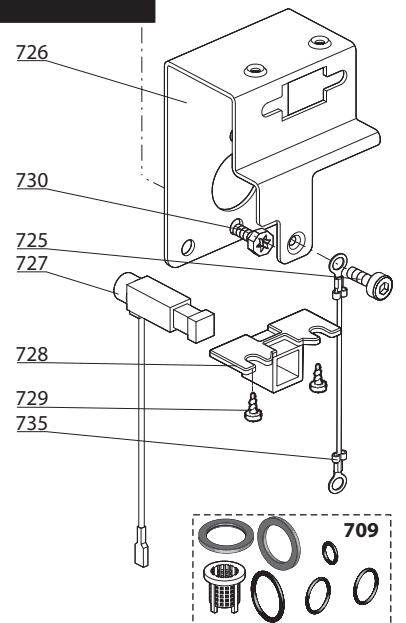
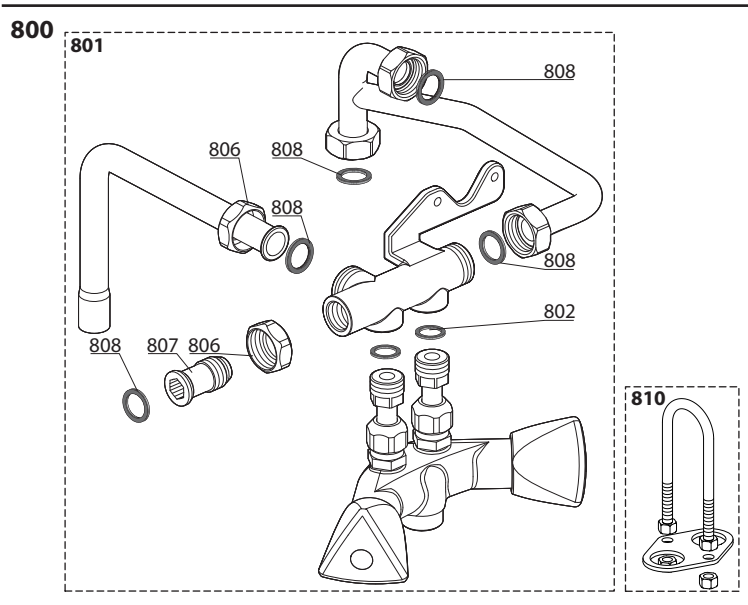
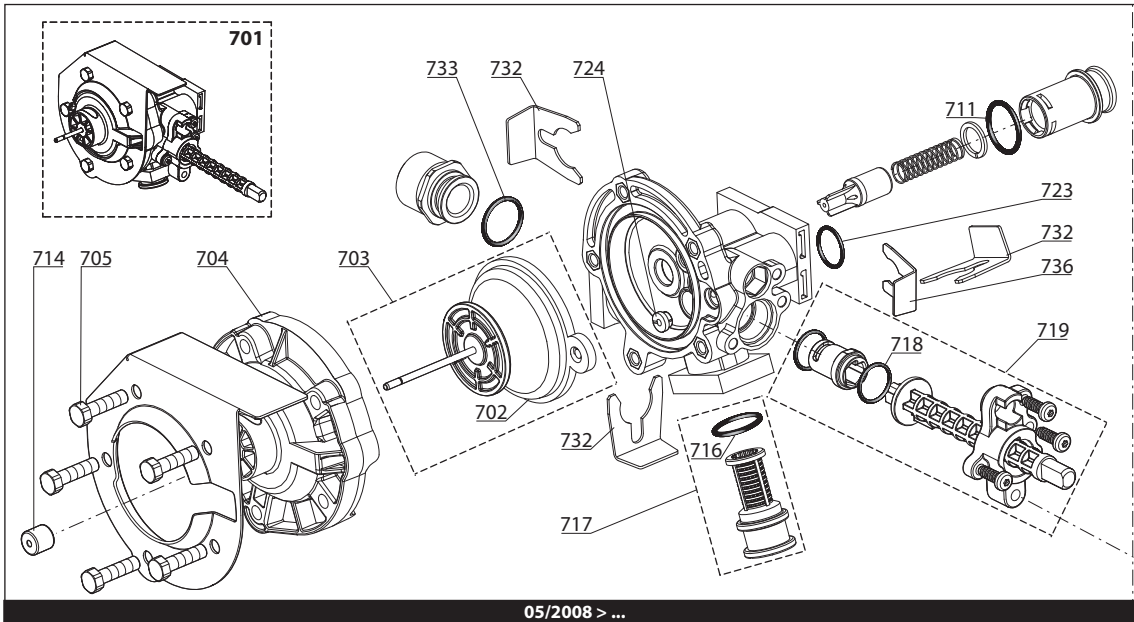
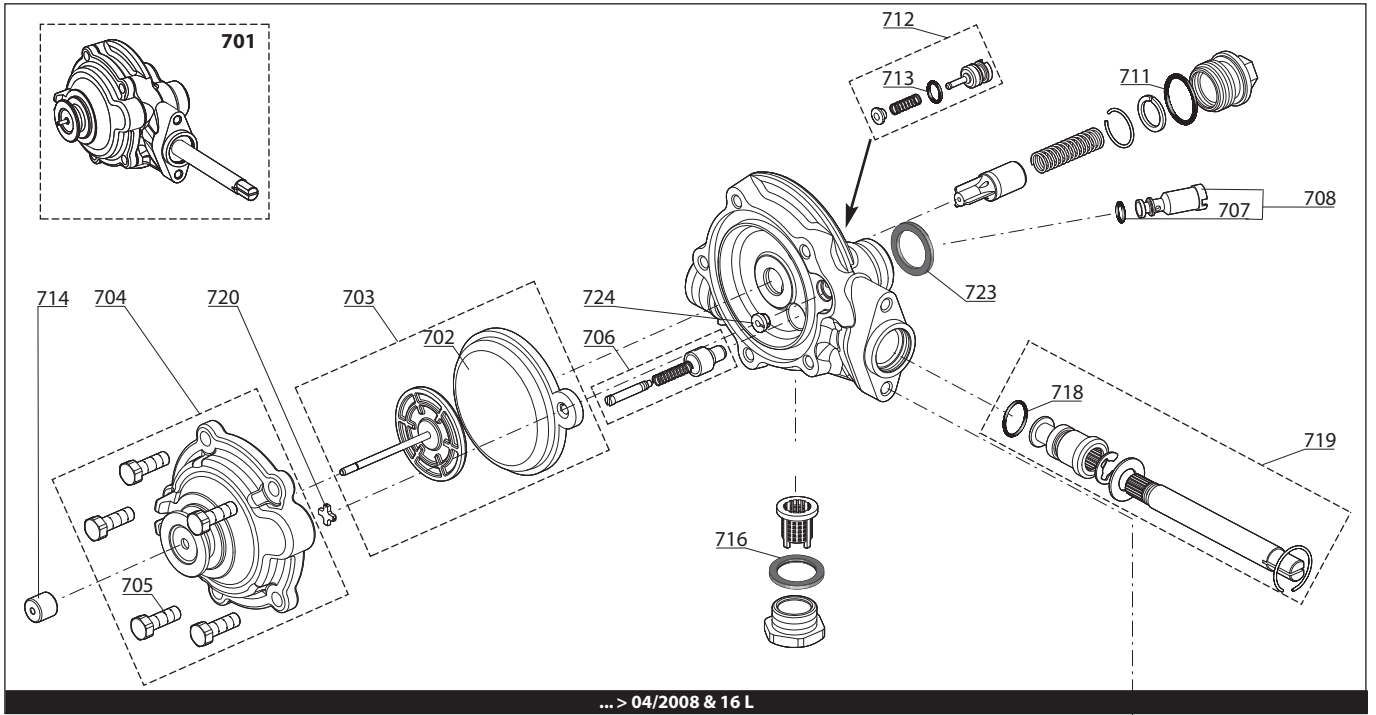
VMC

FLUENDO 11 CF P  
 FLUENDO 14 CF P  
 FLUENDO 16 CF P  
 FLUENDO 11 VMC P  
 FLUENDO 14 VMC P

⊕→	Description	Manf. Pt. N	Type	<div style="border: 1px solid black; padding: 2px;"> <span style="border: 1px solid black; padding: 2px;">31</span> </div>																		From	to				
				1	2	3	4	5	6	7	8	9	10	11	12	13	14	15	16	17	18						
<b>0600</b>	<b>GAS SECTION</b>																										
0601	GAS VALVE LPG	60001306	B/P	●	●	●																					
	GAS VALVE NAT	60001305	NAT	●	●	●	●	●																			
0602	BURNER BASE	60000905		●			●															04/07					
	BURNER BASE	60000906			●			●														04/07					
	BURNER BASE	60001008						●																			
	BURNER BASE	60001312			●			●																		03/07	
	BURNER BASE	61313637		●				●																		03/07	
0603	PILOT INJECTOR	61004714	NAT	●	●			●	●																		
	PILOT INJECTOR D: 0.22	61314326	B/P					●																			
	PILOT INJECTOR D: 0.22	61316356	NAT					●																			
	PILOT INJECTOR D: 0.26	60000639	B/P	●	●																						
0604	PILOT TUBE KIT	60000042		●	●			●	●																		
	PILOT TUBE KIT	60001009					●																				
0605	SCREW HSX M 4-25	61313875		●	●	●		●	●																		
0606	GASKET (Manifold)	60001309		●	●			●	●																		
0607	THERMOCOUPLE	60000259							●	●																	
	THERMOCOUPLE	60001010							●																		
0608	IGNITION ELECTRODE & LEAD ASSY	60000039		●	●			●	●																		
	IGNITION ELECTRODE & LEAD ASSY	60001011						●																			
0609	GASKET (/gas valve)	60000037		●	●	●		●	●																		
0610	BURNER (PILOT)	60000040		●	●																						
	BURNER (PILOT)	60001012						●																			
	PILOT	60000260							●	●																	
0614	CAM LPG	60000035	B/P	●	●	●																					
	CAM NAT	60000034	NAT	●	●	●			●	●																	
0616	THERMOELECTRIC VALVE	61401810		●	●	●		●	●																		
0620	O-RING 27X1.5	60001182		●	●	●		●	●																		
0622	O-RING 21.08X1.5	61314998		●	●	●		●	●																		
0630	CAM KIT	60000024		●	●	●		●	●																		
0631	INTERFACE BOX & PRINTED CIR.	60081385							●	●																	
0632	PRINTED CIRCUIT BOARD	60079470							●	●																	
0633	WASHER D: 14-4.25-0.8	60060755-03							●	●																	
0635	SPRING WASHER D: 5	60037227-03							●	●																	
0636	GROMMET	60039017							●	●																	
0637	NUT H M 4-0.70	60022084							●	●																	
0638	SAFETY CABLE	60000262							●	●																	
0639	TAPPING SCREW CBLX D: 4.2-25	61010128		●	●	●		●	●																		
0641	TAPPING SCREW CBLX D:4.2-12.5	61010847		●	●	●		●	●																		
0642	O-RING 10.5X2.7	60021061-15		●	●	●		●	●																		
0643	PLUG	61313639		●	●	●		●	●																		
0644	PIN	61314802		●	●	●		●	●																		
0646	O-RING 18X1.8	61313634		●	●	●		●	●																		
0652	SILICONE TUBE D: 8x1 L: 0.15M	60001013							●																		
0653	SCREW CLXS M 4-12	61015153							●																		

FLUENDO P

Instantaneous Gas Water Heaters

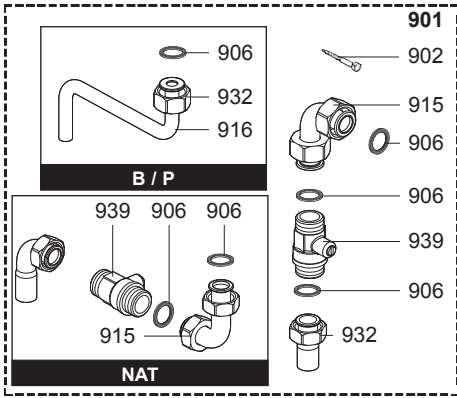


☉⇒	Description	Manf. Pt. N	Type	<div style="display: flex; justify-content: space-between; align-items: center;"> <div style="transform: rotate(-45deg); font-size: small;">           FLUENDO 11 CF P            FLUENDO 14 CF P            FLUENDO 16 CF P            FLUENDO 11 VMC P            FLUENDO 14 VMC P         </div> <div style="border: 1px solid black; padding: 2px;">  31         </div> </div>																		From	to
				1	2	3	4	5	6	7	8	9	10	11	12	13	14	15	16	17	18		
<b>0700</b>	<b>WATER SECTION ASSY</b>																						
0701	WATER SECTION	60001020				●																	
	WATER SECTION	60001039		●			●													05/08			
	WATER SECTION	60001040			●			●												05/08			
	WATER SECTION	61313094		●				●													04/08		
	WATER SECTION	61313095			●			●													04/08		
0702	DIAPHRAGM	61316184		●	●	●	●																
0703	WATER SECTION REPAIR KIT	61400383		●	●	●	●																
0704	COVER	61400386		●	●		●	●													04/08		
	COVER	61400386					●																
0705	SCREW H M 5-16	61316211		●	●		●	●													04/08		
	SCREW H M 5-16	61316211					●																
	SCREW M 5-19	60001041		●	●		●	●												05/08			
0706	WATER THROTTLE ASSY	61400382		●	●		●	●												11/05	04/08		
	WATER THROTTLE ASSY	61400382					●													11/05			
0707	O-RING 3.4X1.8	61316255		●	●	●	●	●															
0708	VENTURI	60001023					●																
	VENTURI	61400387		●	●		●	●													04/08		
0709	WATER SECTION GASKETS KIT	61400390		●	●	●	●	●															
0711	O-RING 13.94X2.62	61316176		●	●		●	●													04/08		
	O-RING 13.94X2.62	61316176					●																
	O-RING 15.54X2.62	60001166		●	●		●	●												05/08			
0712	BY-PASS VALVE KIT	60001024					●																
	BY-PASS VALVE KIT	61316253		●	●		●	●													04/08		
0713	O-RING 5.5X1.8	61316224		●	●	●	●	●															
0714	OPERATING LEVER	61316988		●	●	●	●	●															
0716	O-RING 13.94X2.62	61316176		●	●		●	●												05/08			
	SHEET GASKET D: 21-16-1.5	61316207		●	●		●	●													04/08		
	SHEET GASKET D: 21-16-1.5	61316207					●																
0717	PLUG KIT	60001159		●	●		●	●												05/08			
0718	O-RING 12X2	60001162		●	●		●	●												05/08			
	O-RING 9.5X1.5	61316254		●	●		●	●													04/08		
	O-RING 9.5X1.5	61316254					●																
0719	TEMPERATURE SELECTOR ASSY	60001025					●																
	TEMPERATURE SELECTOR ASSY	60001160		●	●		●	●												05/08			
	TEMPERATURE SELECTOR ASSY	61400388		●			●														04/08		
	TEMPERATURE SELECTOR ASSY	61400389					●		●												04/08		
0720	VALVE	61316182		●	●	●	●	●															
0723	O-RING 12.3X2.4	60024164-47		●	●		●	●												05/08			
	WASHER D: 18.4-12.2-1.5	60061855-14		●	●		●	●													04/08		
	WASHER D: 18.4-12.2-1.5	60061855-14					●																
0724	SLOW IGNITION DEVICE	61316206		●	●	●	●	●															
0725	TAPPING SCREW CBLX D: 4.2-25	61010128		●	●	●	●	●															
0726	SUPPORT BRACKET	61313507		●	●	●	●	●															
0727	IGNITER	61313911		●	●	●	●	●															
0728	FIXING BRACKET	61313912		●	●	●	●	●															
0729	TAPPING SCREW CBLX D: 4.2-9.5	61010125		●	●	●	●	●															
0730	SCREW CBLXS M 5-12	61301928		●	●		●	●												05/08			
	SCREW HSX M 5-8	61302631		●	●		●	●													04/08		
	SCREW HSX M 5-8	61302631					●																
0732	CLIP	60001163		●	●		●	●															
0733	O-RING 13.94X2.62	61316176		●	●		●	●															
0735	EARTH WIRE	60001171		●	●		●	●															
0736	CLIP	60001170		●	●		●	●															
<b>0800</b>	<b>MIXING BATTERY</b>																						
0801	MIXING BATTERY	60000030		●	●	●	●	●															
0802	SHEET GASKET D: 14.8-10.3-1.5	60061854-11		●	●	●	●	●															
0806	NUT 1/2» H=10	60020747-38		●	●	●	●	●															
0807	COLD WATER CONNECTION	60037186		●	●	●	●	●															
0808	WASHER D: 18.4-12.2-1.5	60061855-14		●	●	●	●	●															
0810	KIT BEARING MIXING BATTERY	60001311		●	●	●	●	●															

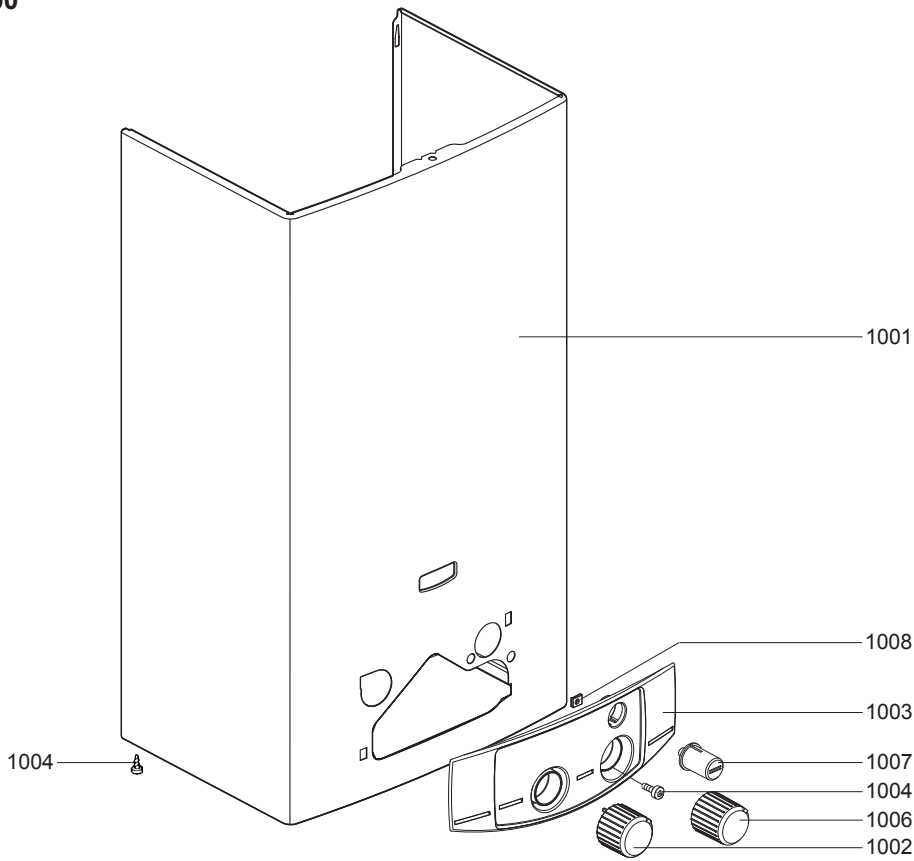
FLUENDO P

Instantaneous Gas Water Heaters

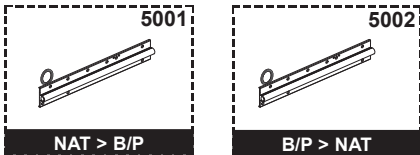
900



1000



5000





☉	Description	Manf. Pt. N	Type	FLUENDO 11 CF P	FLUENDO 14 CF P	FLUENDO 16 CF P	FLUENDO 11 VMC P	FLUENDO 14 VMC P	From	to							
				1	2	3	4	5			6	7	8	9	10	11	12

31

Code	Description	Manf. Pt. N	Type	1	2	3	4	5	6	7	8	9	10	11	12	13	14	15	16	17	18	From	to
<b>0900</b>	<b>JIG PLATE &amp; PIPE FITTING</b>																						
0901	CONNECTION KIT	61316290	B/P	•	•	•																	
	CONNECTION KIT	61316291	NAT	•	•	•	•	•															
0902	WOOD SCREW	60025617-03		•	•	•	•	•															
0906	WASHER D: 18.4-12.2-1.5	60061855-14		•	•	•	•	•															
0915	WATER TUBE	61316286		•	•	•	•	•															
0916	GAS TUBE	61316284	B/P	•	•	•																	
0932	NUT 1/2» THICK: 10	60020747-68		•	•	•	•	•															
0939	SERVICE TAP	61009433		•	•	•	•	•															
<b>1000</b>	<b>FRONT CASE</b>																						
1001	FRONT CASE	61313208			•	•		•															
	FRONT CASE	61313207		•			•																
1002	GAS CONTROL KNOB	61313357		•	•	•	•	•															
1003	FACIA	61313918		•	•	•	•	•															
1004	TAPPING SCREW CBLX D: 4.2-9.5	61010125		•	•	•	•	•															
1006	TEMPERATURE SELECTOR KNOB	61313782		•	•	•	•	•															
1007	IGNITOR CONTROL KNOB	61313892		•	•	•	•	•															
1008	CLIP	60074999		•	•	•	•	•															
<b>5000</b>	<b>ACCESSORIES</b>																						
5001	BURNER JET FULL KIT (LPG)	60001027					•																
	BURNER JET FULL KIT (LPG)	61316755		•																			
	BURNER JET FULL KIT (LPG)	61316757			•																		
	CONVERSION KIT NAT > LPG	60000265						•															
	CONVERSION KIT NAT > LPG	60000266							•														
5002	CONVERSION KIT LPG > NAT	60001026							•														
	CONVERSION KIT LPG > NAT	61316754		•																			
	CONVERSION KIT LPG > NAT	61316756			•																		

FLUENDO P

Instantaneous Gas Water Heaters

## LIST OF THE ABBREVIATIONS

HW .....	: Hot water.
CW .....	: Cold water.
C .....	: Ceramic resistance (normal heating).
Ca .....	: Ceramic resistance (accelerated heating)
TP .....	: Immersion heater.
1F .....	: With fittings.
2F .....	: Without fittings.
3F .....	: With fittings and another outlet connection.
AMI .....	: With mixing valve.
SMI .....	: Without mixing valve.
PUISS .....	: Power of th appliance.
PN .....	: Appliance with normal pression.
LP .....	: Appliance with low pression.
PV .....	: Appliance with variable power.
PF .....	: Appliance with fixed power.

## IDENTIFICATION PLATE

### SERIAL NUMBER

<b>10 Characters :</b>	04 05 125 011	Sequential number
		Manufacturing day
		Year of manufacture
<b>11 Characters :</b>	1 95 065004 - 31	Technical number of the appliance
Month of manufacture : from 1 to 9 → Jan. to Sep., O → Oct., N → Nov., D → Dec.		Sequential number
		Year of manufacture
<b>19 Characters :</b>	08 05 0013199 900640031	Product reference
Year of manufacture		Sequential number
Month of manufacture		
<b>20 Characters :</b>	3675007 XX 2 07 070 00315	Sequential number
Product reference		Manufacturing day
Millenium of manufacture		Year of manufacture
<b>21 Characters :</b>	3675007 XX 07 070 0000315	Sequential number
Product reference		Manufacturing day
Year of manufacture		