

# SPARE PARTS EXPLODED VIEW BOILERS

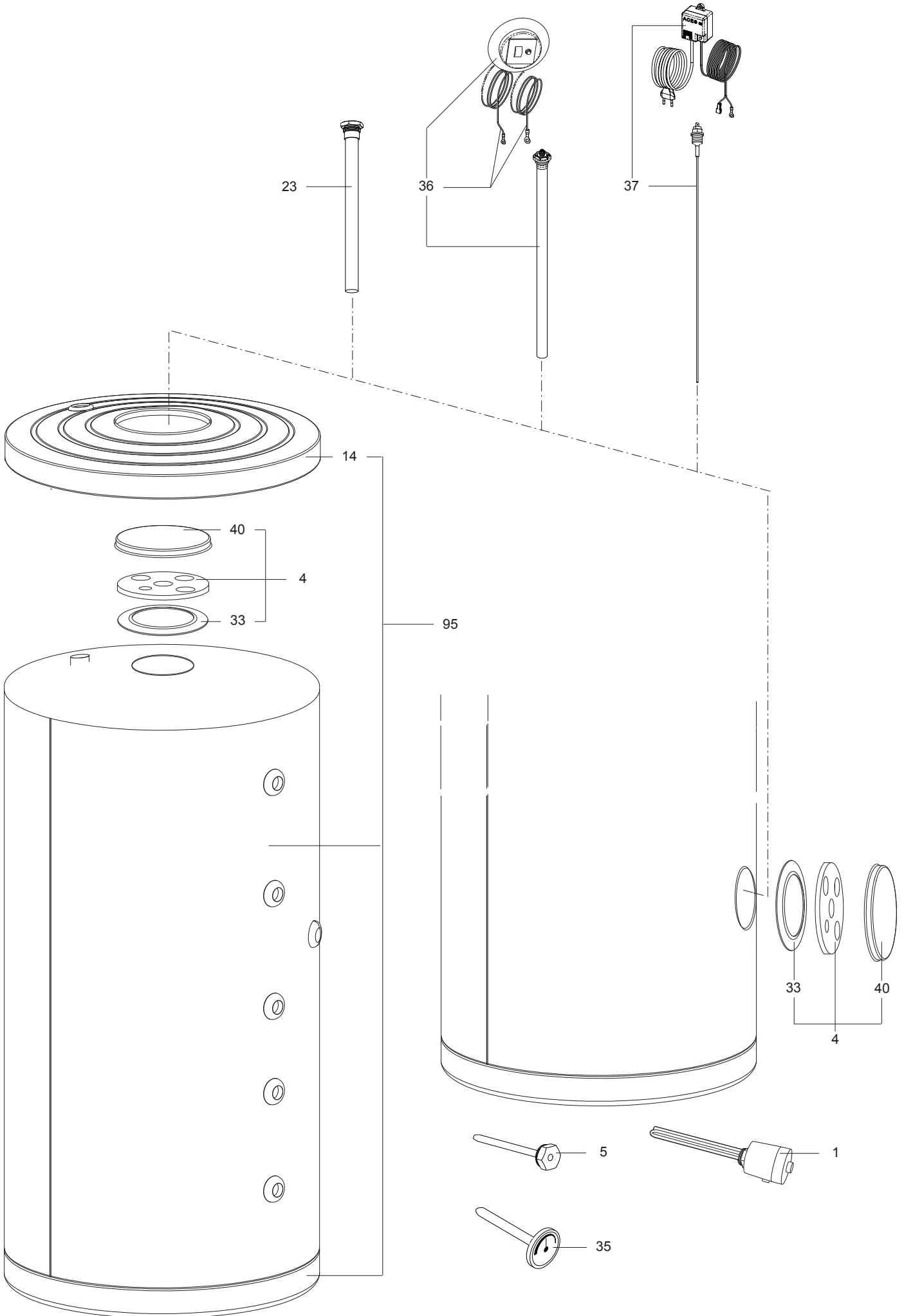
Model

## BAC - BK 1S/2S

R8216459-04 - 12/07/2016

1	3507032	BAC1S 600	07-2008	05-2013
2	3507033	BAC1S 800	07-2008	05-2013
3	3507034	BAC1S 1000	05-2008	05-2013
4	3507035	BAC2S 600	05-2008	05-2013
5	3507036	BAC2S 800	07-2008	05-2013
6	3507037	BAC2S 1000	07-2008	05-2013
7	3507038	BK1S 600/170	05-2008	05-2013
8	3507039	BK1S 750/200	07-2008	05-2013
9	3507040	BK1S 1000/220	07-2008	05-2013
10	3507041	BK1S 1500/330	05-2008	05-2013
11	3507042	BK2S 750/200	07-2008	05-2013
12	3507043	BK2S 1000/220	05-2008	05-2013
13	3507044	BK2S 1500/330	05-2008	05-2013
14	3507045	BK2S 2000/420	05-2008	08-2012

Col	Reference	Model type	Begin	End
-----	-----------	------------	-------	-----



☰	Description	Manf. Pt. N	Type	<div style="display: flex; justify-content: space-between; font-size: small;"> <span>600 L BAC 1S</span> <span>800 L BAC 1S</span> <span>1000 L BAC 1S</span> <span>600 L BAC 2S</span> <span>800 L BAC 2S</span> <span>1000 L BAC 2S</span> <span>600 L BK 1S</span> <span>750 L BK 1S</span> <span>1000 L BK 1S</span> <span>1500 L BK 1S</span> <span>750 L BK 2S</span> <span>1000 L BK 2S</span> <span>1500 L BK 2S</span> <span>1500 L BK 2S</span> </div>															From	to
				1	2	3	4	5	6	7	8	9	10	11	12	13	14	15		
0001	ELECTRICAL KIT (3000W)	65110388		•	•	•	•	•	•	•	•	•	•	•	•					
	ELECTRICAL KIT (7000W)	65110389		•	•	•	•	•	•	•	•	•	•	•	•					
0004	MATING FLANGE GROUP	65109713								•	•	•	•	•	•					
	MATING FLANGE GROUP	65110165		•			•													
	MATING FLANGE GROUP	65110166			•			•												
	MATING FLANGE GROUP	65110167				•			•											
0005	SHEATH (L.200MM)	65109589		•	•	•	•	•	•	•	•	•	•	•	•					
0014	COVER	65110144		•			•													
	COVER	65110145							•	•			•							
	COVER	65110146			•	•		•	•			•		•						
	COVER	65110147									•			•						
	COVER	65110148																•		
0023	ANODE D:32 L:400 WITH PLUG 1" 1/2	65116122			•	•		•	•											
	ANODE D:32 L:400 WITH PLUG 1" 1/4	65109558		•			•			•	•	•	•	•	•	•				
	ANODE D:32 L:700 WITH PLUG 1" 1/2	65116123			•	•		•	•											
	ANODE D:32 L:700 WITH PLUG 1" 1/4	65109559								•	•	•	•	•	•	•				
0033	FLANGE GASKET D.180	65110293		•			•													
	FLANGE GASKET D.180	65110294			•			•												
	FLANGE GASKET D.290	65109967								•	•	•	•	•	•					
	FLANGE GASKET D.480	65110295				•			•											
0035	THERMOMETER WITH SHEATH	65109588		•	•	•	•	•	•	•	•	•	•	•	•					
0036	ANODE WITH TESTER 32 X 400 MM 1" 1/2	65116124			•	•		•	•											
	ANODE WITH TESTER 32 X 400 MM 1" 1/4	65109560		•			•			•	•	•	•	•	•	•				
	ANODE WITH TESTER 32 X 700 MM 1" 1/2	65116125			•	•		•	•											
	ANODE WITH TESTER 32 X 700 MM 1" 1/4	65109561								•	•	•	•	•	•	•				
0037	ELECTRONIC ANODE 450MM 1/2"	65109556				•			•			•		•						
	ELECTRONIC ANODE 550MM 1/2"	65109557									•			•		•	•			
0040	FLANGE COVER	65110149								•	•	•	•	•	•	•				
	FLANGE COVER	65110150									•									
	FLANGE COVER	65110151		•	•		•	•												
0095	COMPLETE ISOLATION	65110152			•															
	COMPLETE ISOLATION	65110153				•														
	COMPLETE ISOLATION	65110154					•													
	COMPLETE ISOLATION	65110155						•												
	COMPLETE ISOLATION	65110156							•											
	COMPLETE ISOLATION	65110157								•										
	COMPLETE ISOLATION	65110158									•									
	COMPLETE ISOLATION	65110159										•								
	COMPLETE ISOLATION	65110160											•							
	COMPLETE ISOLATION	65110161												•						
	COMPLETE ISOLATION	65110162													•					
	COMPLETE ISOLATION	65110163														•				
	COMPLETE ISOLATION	65110164		•			•													

---

## LIST OF THE ABBREVIATIONS

HW .....	: Hot water.
CW .....	: Cold water.
C .....	: Ceramic resistance (normal heating).
Ca .....	: Ceramic resistance (accelerated heating)
TP .....	: Immersion heater.
1F .....	: With fittings.
2F .....	: Without fittings.
3F .....	: With fittings and another outlet connection.
AMI .....	: With mixing valve.
SMI .....	: Without mixing valve.
PUISS .....	: Power of th appliance.
PN .....	: Appliance with normal pression.
LP .....	: Appliance with low pression.
PV .....	: Appliance with variable power.
PF .....	: Appliance with fixed power.

---

The indications mentioned on the prices, commercial or technical literature and the scheme are written for your guidance and are available at a given time. The CONSTRUCTOR retains the power to modify the presentation, the form, the size, the conception or the material of the products.

---