

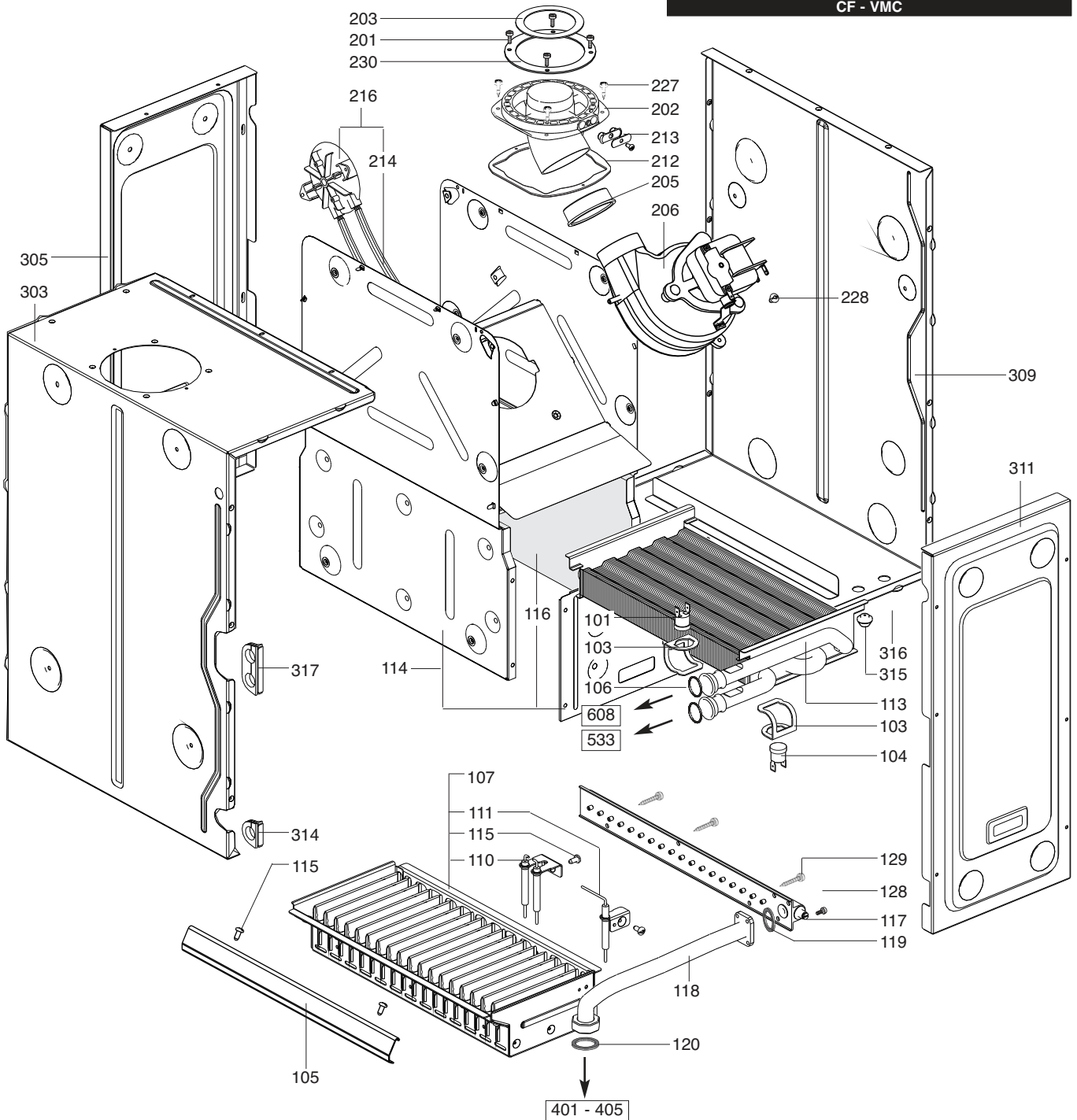
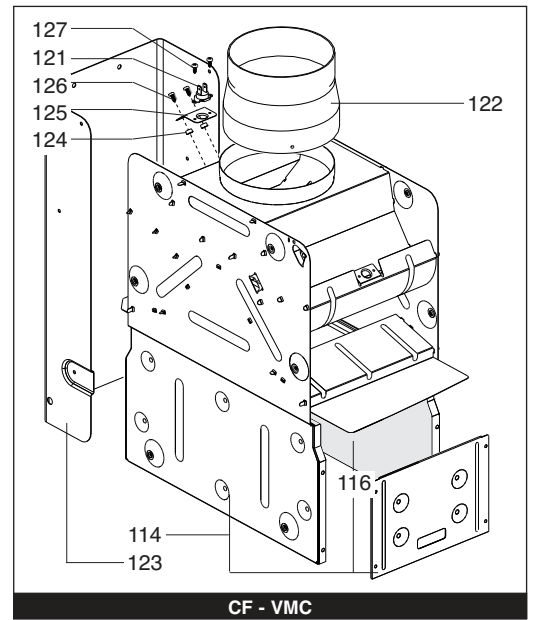
SPARE PARTS EXPLODED VIEW GAS WALL BOILERS

Model

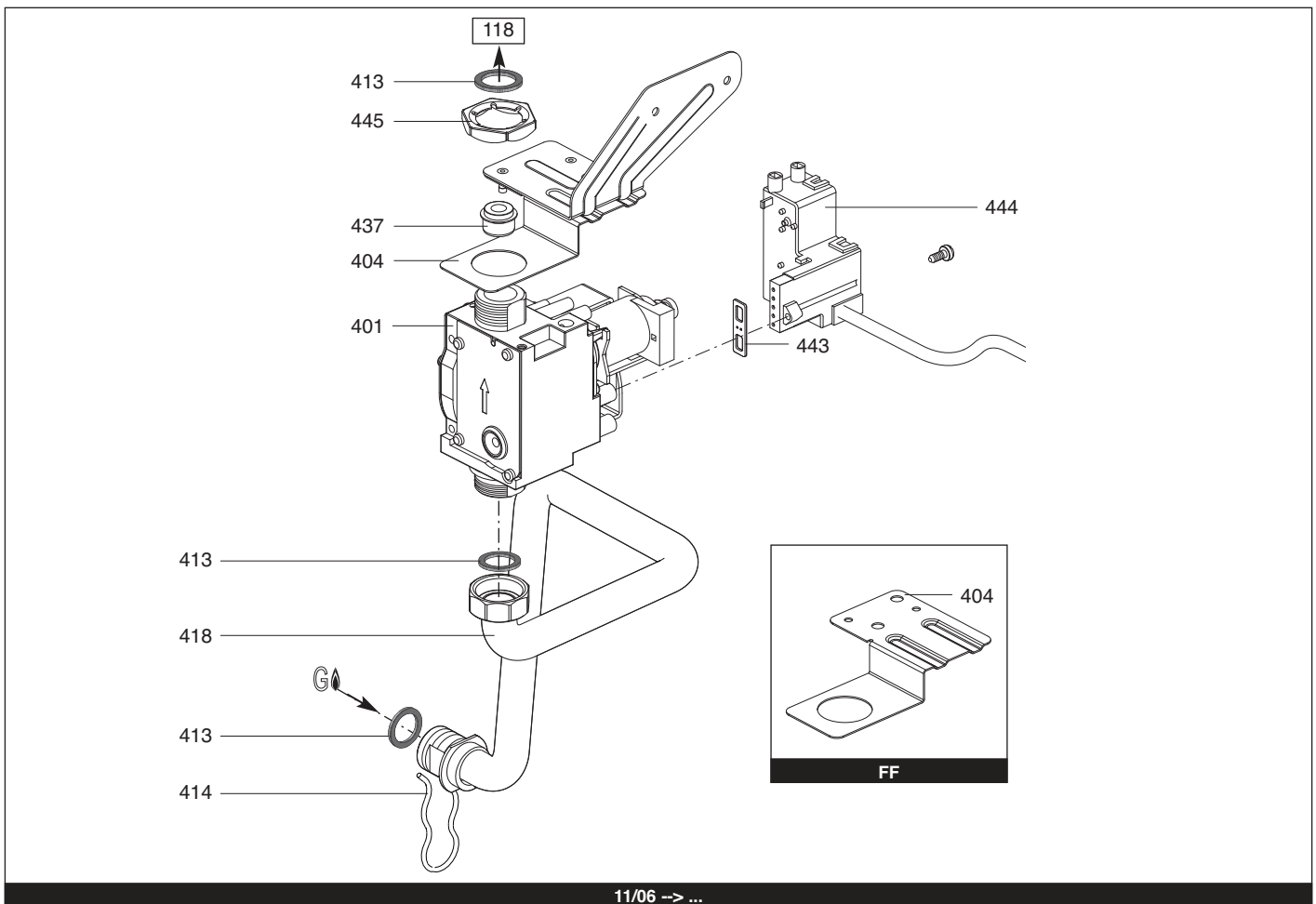
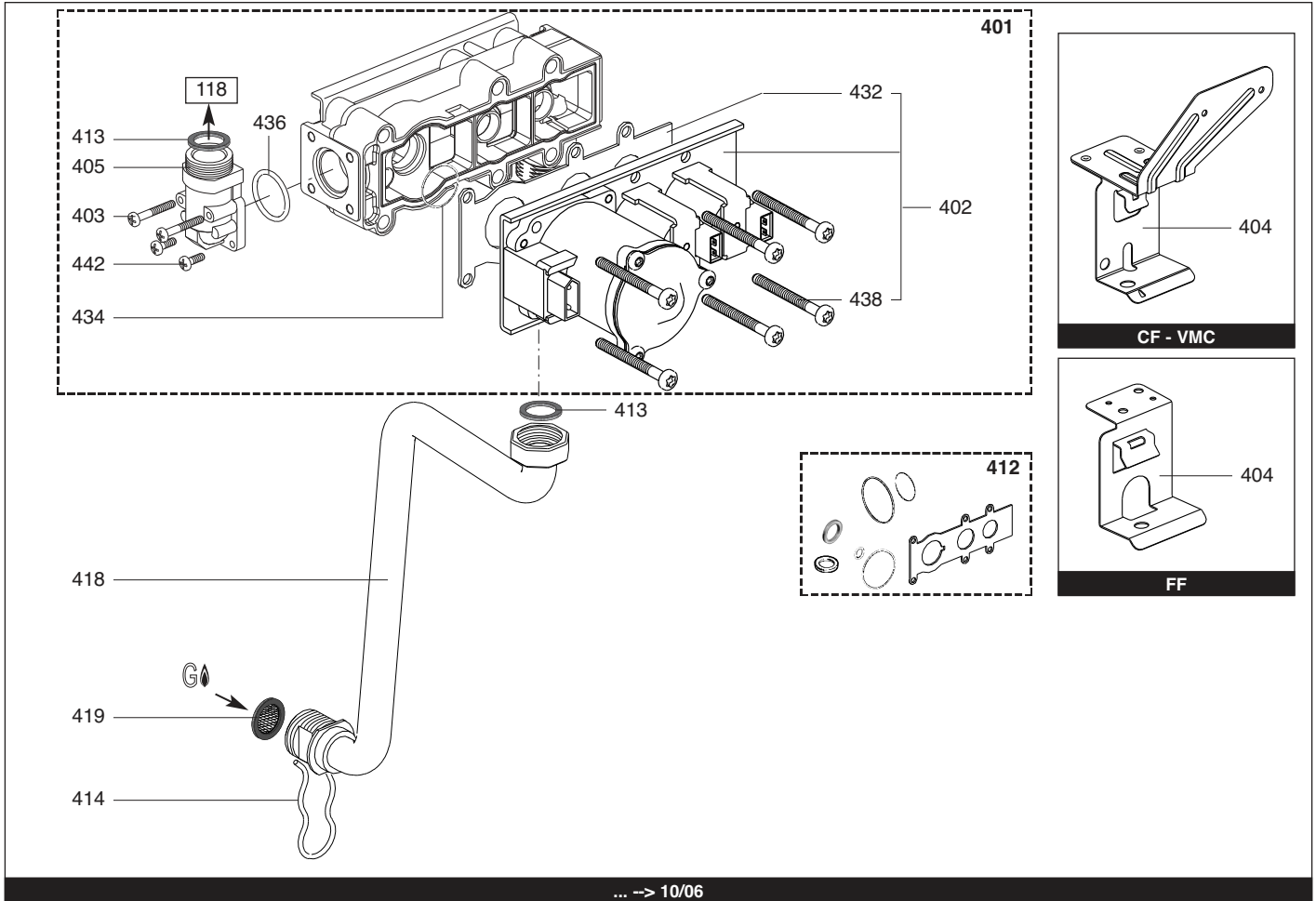
NIAGARA DELTA

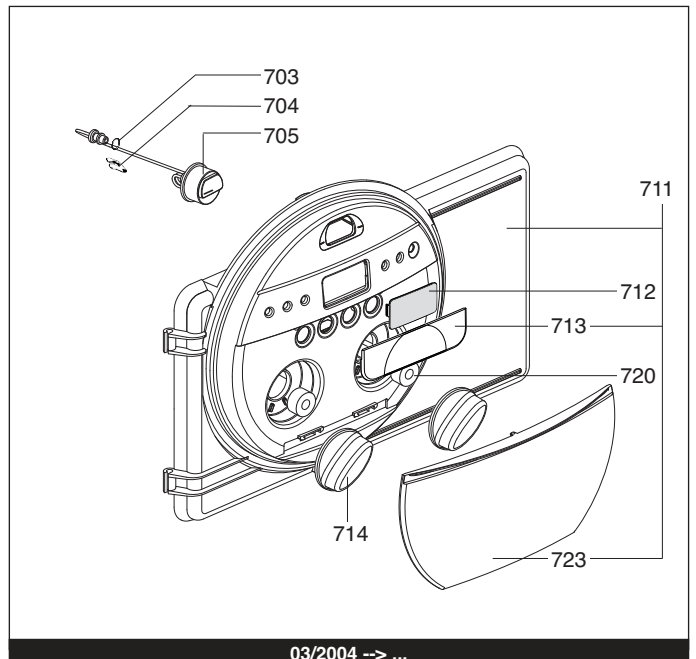
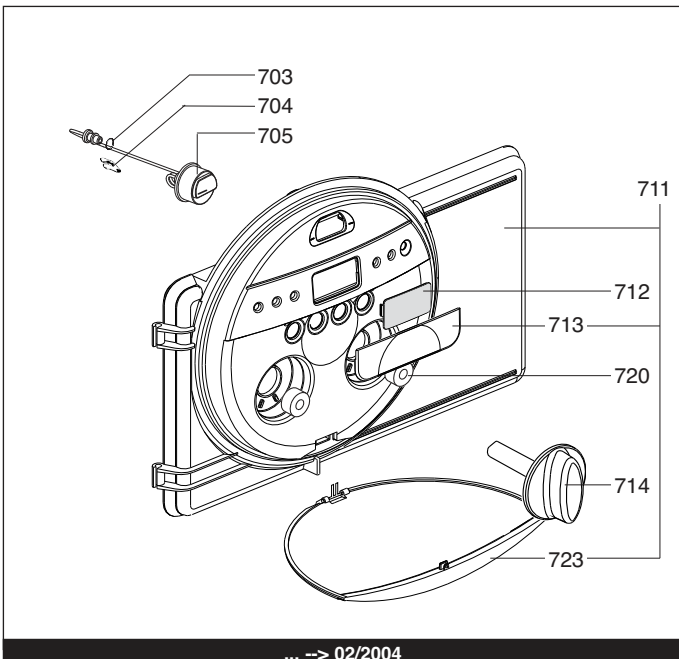
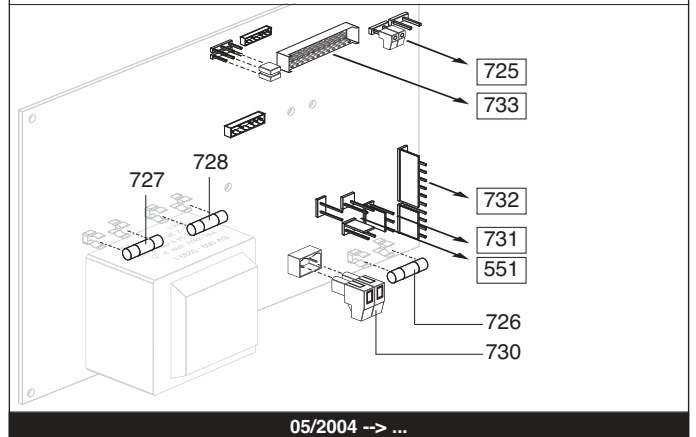
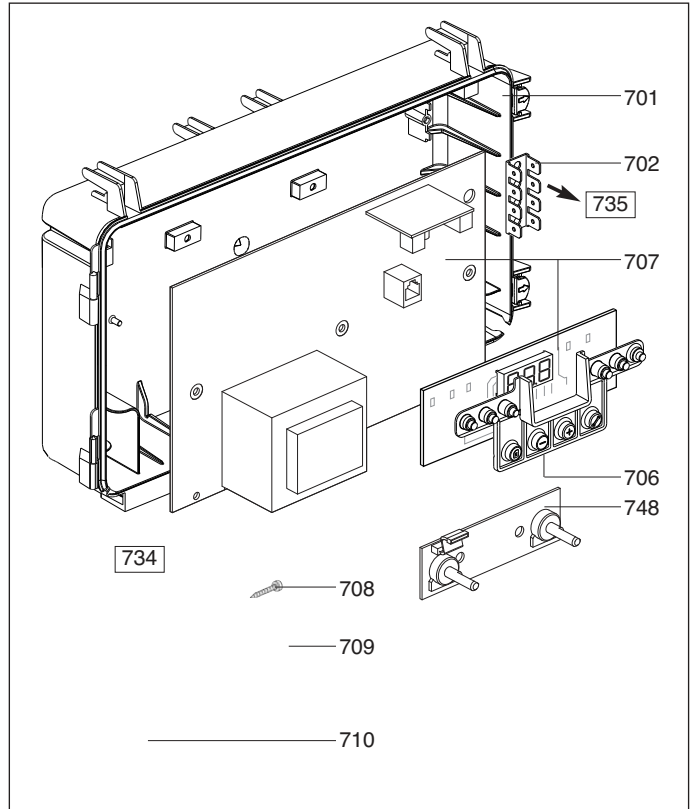
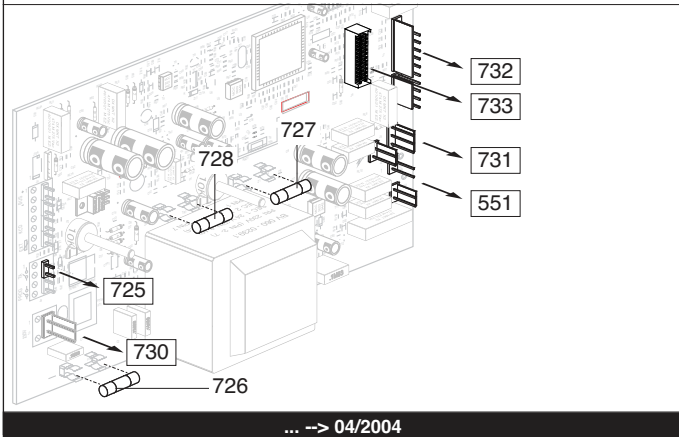
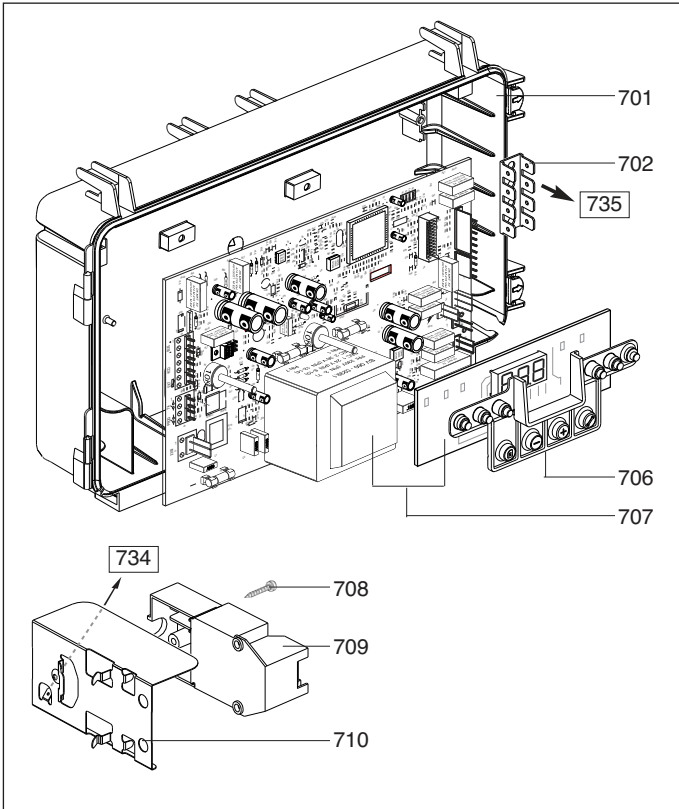
R8202567-10 - 21/03/2012

1	200006762031	NIAGARA DELTA 24 CF NAT	07/01	01/09
1	200006762021	NIAGARA DELTA 24 CF B/P	03/01	01/09
2	200006762036	NIAGARA DELTA 24 VMC NAT	10/01	01/09
2	200006762026	NIAGARA DELTA 24 VMC B/P	01/01	01/09
3	200006762037	NIAGARA DELTA 24 FF NAT	08/01	01/09
3	200006762027	NIAGARA DELTA 24 FF B/P	08/01	01/09
4	200006763031	NIAGARA DELTA 28 CF NAT	07/01	01/09
4	200006763021	NIAGARA DELTA 28 CF B/P	01/01	01/09
5	200006763037	NIAGARA DELTA 28 FF NAT	01/01	01/09
5	200006763027	NIAGARA DELTA 28 FF B/P	08/01	01/09
6	200006764037	NIAGARA DELTA 30 FF NAT	10/01	01/09
6	200006764027	NIAGARA DELTA 30 FF B/P	03/02	01/09
Col	Reference	Model type	Begin	End

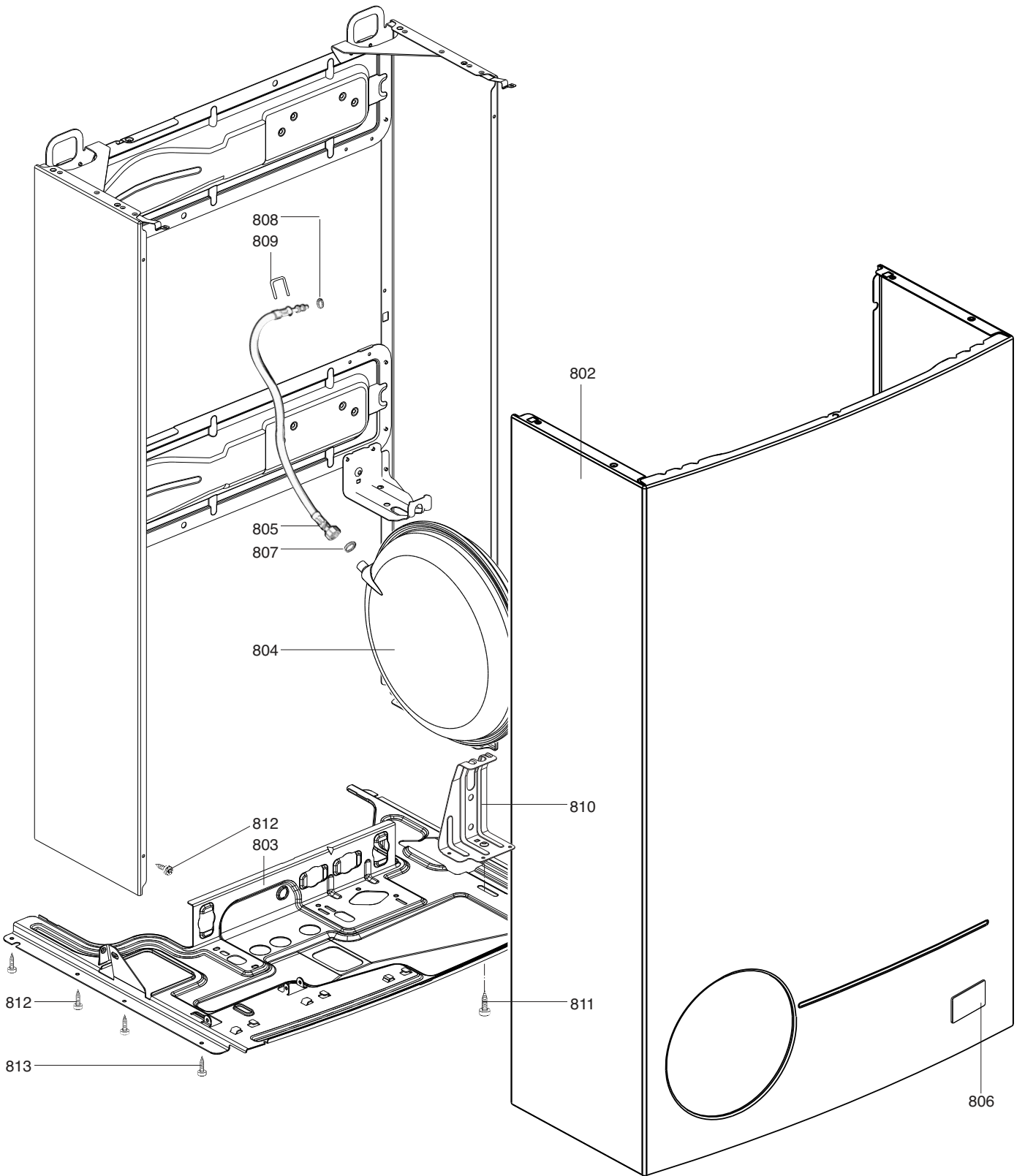


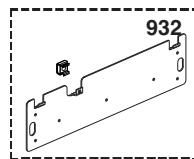
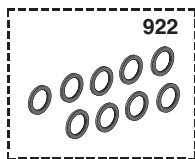
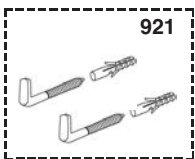
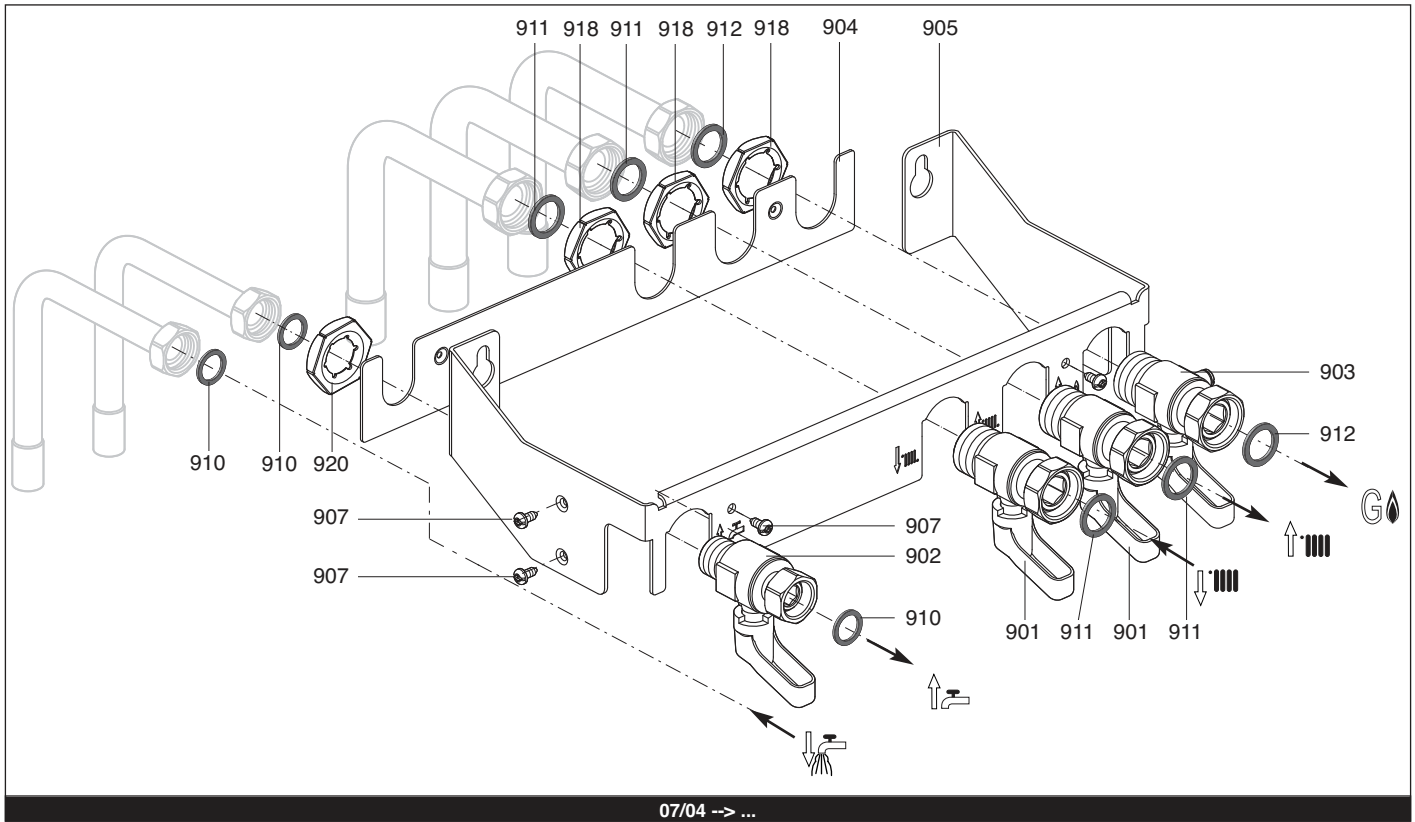
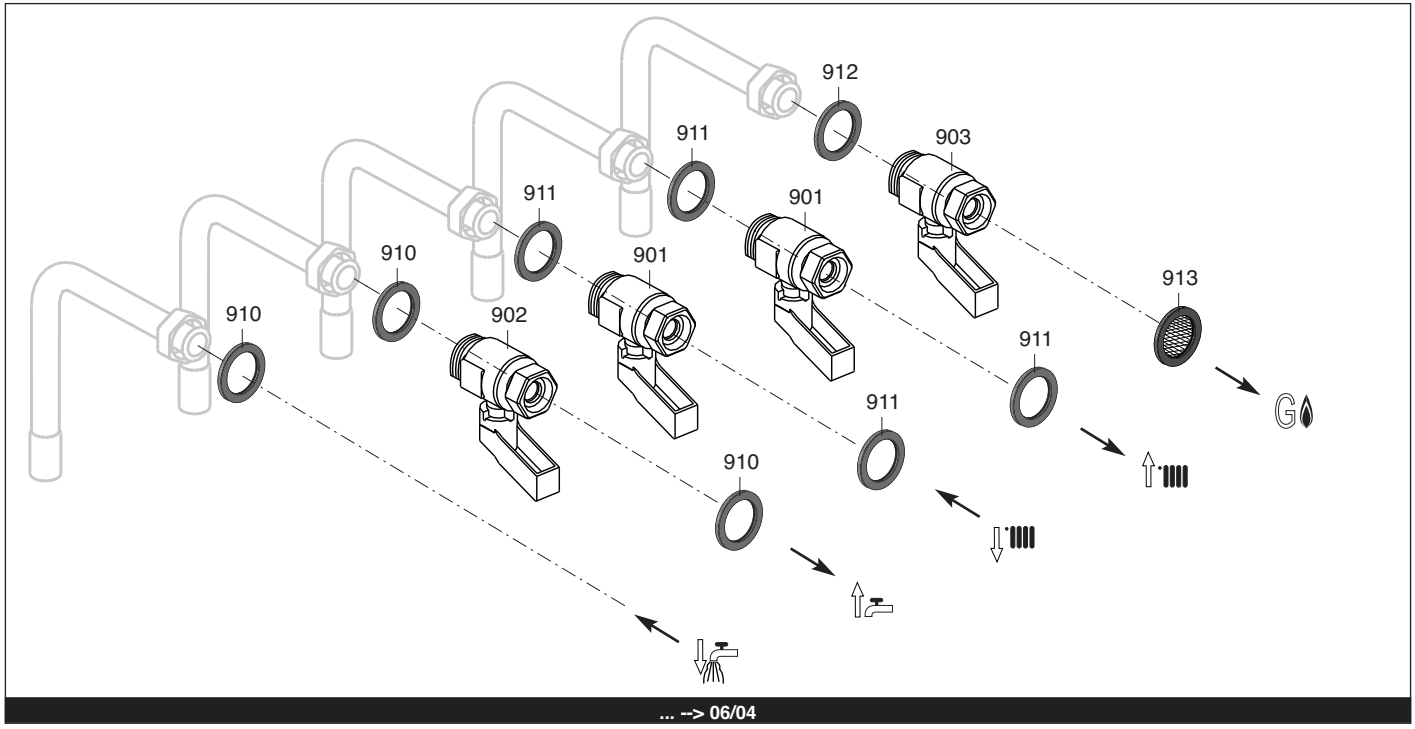
☰	Description	Manf. Pt. N	Type	<div style="display: flex; justify-content: space-between; align-items: center;"> <div style="writing-mode: vertical-rl; transform: rotate(180deg); font-size: 8px;"> NIAGARA DELTA 24 CF NIAGARA DELTA 24 VMC NIAGARA DELTA 24 FF NIAGARA DELTA 28 CF NIAGARA DELTA 28 FF NIAGARA DELTA 30 FF </div> <div style="border: 1px solid black; padding: 2px;"> 31 </div> </div>																	
				1	2	3	4	5	6	7	8	9	10	11	12	13	14	15	16	17	18
0100	BURNER ASSEMBLY																				
0101	OVERHEAT THERMOSTAT 100C	61010572		•	•	•	•	•													
0103	CLIP	61010050		•	•	•	•	•													
0104	THERMISTOR TEMPERATURE SENSOR	61012958		•	•	•	•	•													
	THERMISTOR TEMP. SENSOR KIT	61317663		•	•	•	•	•										04/04			
0105	CROSS LIGHTING STRIP	61303352		•	•	•	•	•										05/04			
0106	O-RING D: 17-4	60024164-51		•	•	•	•	•													
0107	BURNER BASE & ELECTRODES	61306599		•	•	•	•	•													
	BURNER BASE & ELECTRODES	61306958								•											
0110	ELETTRODO D ACCENSIONE	61305840		•	•	•	•	•	•												
0111	IONIZATION ELECTRODE	61303302		•	•	•	•	•	•												
0113	HEAT EXCHANGER	61306547		•	•	•	•	•	•												
0114	COMBUSTION CHAMBER	61306550-01		•		•															
	COMBUSTION CHAMBER	61306551				•		•													
	COMBUSTION CHAMBER	61306959								•											
0115	TAPPING SCREW CBLX D: 4.2-9.5	61010125		•	•	•	•	•	•												
0116	COMBUSTION CHAMBER LINING KIT	61307039		•	•	•	•	•	•												
0117	MANIFOLD 18 INJ:0.72 - DIA:7.0	61305247	B/P						•												
	MANIFOLD 18 INJ:0.68	61305248	B/P				•														
	MANIFOLD 18 INJ:0.68	61305433	B/P	•	•																
	MANIFOLD 18 INJ:0.74 - DIA:9.0	61306960	B/P							•											
	MANIFOLD 18 INJ:0.72	61310975	B/P						•												
	MANIFOLD 18 INJ:1.23	61303601	NAT							•											
	MANIFOLD 18 INJ:1.18	61305214	NAT	•	•																
	MANIFOLD 18 INJ:1.23	61305249	NAT				•														
	MANIFOLD 18 INJ:1.23 - DIA:9.0	61306949	NAT									•									
	MANIFOLD 18 INJ:1.18 - DIA:8.0	61306987	NAT							•											
0118	GAS TUBE	61303140		•	•	•	•	•	•												
0119	GASKET (/Manifold)	61010071		•	•	•	•	•	•												
0120	SHEET GASKET D: 24-18.2-1.5	60022835-01		•	•	•	•	•	•												
0121	OVERHEAT THERMOSTAT 54C	61010358				•															
	THERMOSTAT (SAFETY - 70C)	61012479		•				•													
0122	FLUE SPIGOT D:140->125	61303145		•	•																
0123	SIDE COVER SUPPORT	61303351		•	•		•														
0124	SPACER	61308439				•															
0125	SUPPORT BRACKET	61308440				•															
0126	TAPPING SCREW D: 3.5-9.5	61015329				•															
0127	SHEET SCREW CBLX D: 3.5-6.5	61010126				•															
0128	SCREW CX M 5-12	61011224		•	•	•	•	•	•												
0129	TAPPING SCREW CBLX D: 4.2-25	61010128		•	•	•	•	•	•												
0200	FAN ASSEMBLY																				
0201	SCREW CLX M 5-20	61017600				•		•	•												
0202	FLUE CONNECTION	61304209				•		•	•									10/04			
	FLUE CONNECTION	61313154				•		•	•									11/04			
0203	RESTRICTOR D:61 KIT	60000736				•		•	•									10/04			
	RESTRICTOR D:65 KIT	60000737				•		•	•									11/04			
	RESTRICTOR / AIR D:77 KIT	60000738				•		•	•									11/04			
0205	GASKET	61303825				•		•	•												
0206	FAN ASSY	61020925				•		•	•												
0212	GASKET	61300262				•		•	•												
0213	PLUG KIT	61306698				•		•	•												
0214	SILICONE TUBE D: 9x3 L: 1.30M	60081265				•		•	•												
0216	AIR PRESSURE SWITCH 24-28KW	61307664				•		•													
	AIR PRESSURE SWITCH 30KW	61307665								•											
0227	TAPPING SCREW CBLX D:4.2-12.5	61010847				•		•	•												
0228	TAPPING SCREW CBLX D: 6.3-19	61010127				•		•	•												
0230	GASKET (/ Flue bend turret)	61300258				•		•	•												
0300	SEALED CASE																				
0303	SIDE PANEL	61306624				•		•	•												
0305	REAR PANEL	61304377				•		•	•												
0309	SIDE PANEL	61306623				•		•	•												
0311	FRONT PANEL	61304376				•		•	•												
0314	GROMMET D: 18	61303149				•		•	•												
0315	GROMMET	60039017				•		•	•												
0316	GROMMET - DOUBLE	60042707				•		•	•												
0317	GROMMET	61303148				•		•	•												



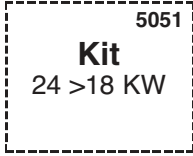
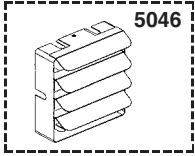
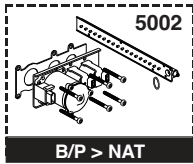
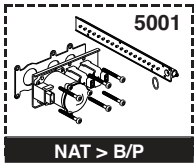


☉⇒	Description	Manf. Pt. N	Type	<div style="display: flex; justify-content: space-between; align-items: center;"> <div style="writing-mode: vertical-rl; transform: rotate(180deg); font-size: small;"> NIAGARA DELTA 24 CF NIAGARA DELTA 24 VMC NIAGARA DELTA 24 VMC NIAGARA DELTA 28 CF NIAGARA DELTA 28 FF NIAGARA DELTA 30 FF </div> <div style="border: 1px solid black; padding: 2px;">31</div> </div>																		1	2	3	4	5	6	7	8	9	10	11	12	13	14	15	16	17	18
0700	ELECTRICAL BOX																																						
0701	BASE - BOX	61303242		●	●	●	●	●																															
0702	CONNECTION STRIP	61002725		●	●	●	●	●																															
0703	O RING D: 5.7-1.9	61009834-10		●	●	●	●	●																															
0704	CLIP	61002406		●	●	●	●	●																															
0705	PRESSURE GAUGE	61305005		●	●	●	●	●																															
0706	TRANSMITTER OF LEDS	61303464		●	●	●	●	●																															
0707	PRINTED CIRCUIT BOARDS	60000390		●	●	●	●	●										05/04		10/06																			
	PRINTED CIRCUIT BOARDS	60000484		●	●	●	●	●										11/06																					
	PRINTED CIRCUIT BOARDS	61307041		●	●	●	●	●												04/04																			
0708	TAPPING SCREW D: 3.5-9.5	61015329		●	●	●	●	●																															
0709	IGNITER	61002105-20		●	●	●	●	●												10/06																			
0710	SUPPORT BRACKET	61304977		●	●	●	●	●																															
0711	ELECTRICAL BOX COVER	61309689		●	●	●	●	●												02/04																			
	ELECTRICAL BOX COVER	61309689		●	●	●	●	●																															
0712	SIGHT GLASS	61303830		●	●	●	●	●																															
0713	LOWER PANEL - DOOR	61304422		●	●	●	●	●												02/04																			
	LOWER PANEL - DOOR	61314686		●	●	●	●	●												03/04																			
0714	WHITE KNOB	61305543		●	●	●	●	●												02/04																			
	WHITE KNOB	61313799		●	●	●	●	●												05/04																			
	WHITE KNOB	61315612		●	●	●	●	●												03/04 04/04																			
0720	CENTRING PIECE	61010241		●	●	●	●	●																															
0723	DOOR ASSY	61306633		●	●	●	●	●												02/04																			
	DOOR ASSY	61316280		●	●	●	●	●												03/04																			
0725	CONNECTION BOX - ROOM THERMOS.	61306705		●	●	●	●	●																															
0726	FUSE 250V 2A - TEMPORIZED	61003456		●	●	●	●	●																															
0727	FUSE 250V 1.25A - TEMPORIZED	61003635		●	●	●	●	●																															
0728	FUSE 250V 0.315A - TEMPORIZED	61307845		●	●	●	●	●																															
0730	FEEDER	61306703		●	●	●	●	●												04/04																			
	CABLGGIO D ALIMENTAZIONE	61311903		●	●	●	●	●												05/04																			
0731	CABLE	61305217		●	●		●													10/06																			
	CABLE	61311871		●	●		●													11/06																			
0732	CABLE	60000563				●		●	●											11/06																			
	CONNECTOR	61303358		●	●		●																																
	CABLE	61304954				●		●	●											04/04																			
	CABLE	61310977				●		●	●											05/04 10/06																			
0733	WIRE ASSEMBLY	60000553				●		●	●											11/06																			
	WIRE ASSEMBLY	60000564		●			●													11/06																			
	WIRE ASSEMBLY	60000565			●															11/06																			
	WIRE ASSEMBLY	61303355		●			●													04/04																			
	WIRE ASSEMBLY	61303731				●		●	●											04/04																			
	WIRE ASSEMBLY	61306312			●															04/04																			
	WIRE ASSEMBLY	61314264		●			●													05/04 10/06																			
	WIRE ASSEMBLY	61314268				●		●	●											05/04 10/06																			
	WIRE ASSEMBLY	61314269			●															05/04 10/06																			
0734	EARTH WIRE	61305498		●	●	●	●	●												10/06																			
0735	EARTH WIRE	61303360		●	●	●	●	●																															
0748	PRINTED CIRCUIT BOARD	61313103		●	●	●	●	●												05/04																			

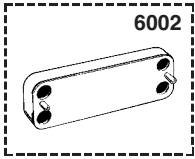




5000



6000



☉⇒	Description	Manf. Pt. N	Type	NIAGARA DELTA 24 CF NIAGARA DELTA 24 VMC NIAGARA DELTA 24 FF NIAGARA DELTA 28 CF NIAGARA DELTA 28 FF NIAGARA DELTA 30 FF														31
				1	2	3	4	5	6	7	8	9	10	11	12	13	14	

5000 ACCESSORIES				1	2	3	4	5	6	7	8	9	10	11	12	13	14	15	16	17	18		
5001	CONVERSION KIT NAT > LPG	60000658		•	•																	11/06	
	CONVERSION KIT NAT > LPG	60000660				•																11/06	
	CONVERSION KIT NAT > LPG	60000662					•															11/06	
	CONVERSION KIT NAT > LPG	60000664							•													11/06	
	CONVERSION KIT NAT > LPG	61306185		•	•																	10/06	
	CONVERSION KIT NAT > LPG	61306186				•																10/06	
	CONVERSION KIT NAT > LPG	61306187							•													10/06	
	CONVERSION KIT NAT > LPG	61306961								•												10/06	
	CONVERSION KIT NAT > LPG	61311088							•													10/06	
5002	CONVERSION KIT LPG > NAT	60000659		•	•																	11/06	
	CONVERSION KIT LPG > NAT	60000661				•																11/06	
	CONVERSION KIT LPG > NAT	60000663							•													11/06	
	CONVERSION KIT LPG > NAT	60000665								•												11/06	
	CONVERSION KIT LPG > NAT	61306762		•	•																	10/06	
	CONVERSION KIT LPG > NAT	61306763				•																10/06	
	CONVERSION KIT LPG > NAT	61306764								•												10/06	
	CONVERSION KIT LPG > NAT	61306978									•											10/06	
	CONVERSION KIT LPG > NAT	61311054							•													10/06	
5046	DEFLECTOR 30DEG KIT	61014810				•		•	•														
5051	KIT N.DELTA 24>18 CF B/P	61309579	B/P	•																			
	KIT N.DELTA 24>18 CF NAT	61309577	NAT	•																			
6000 MAINTENANCE																							
6002	DESCALING INTERFACE/WATER EXCH	61011075		•	•	•	•	•	•														

LIST OF THE ABBREVIATIONS

HW	: Hot water.
CW	: Cold water.
C	: Ceramic resistance (normal heating).
Ca	: Ceramic resistance (accelerated heating)
TP	: Immersion heater.
1F	: With fittings.
2F	: Without fittings.
3F	: With fittings and another outlet connection.
AMI	: With mixing valve.
SMI	: Without mixing valve.
PUISS	: Power of th appliance.
PN	: Appliance with normal pression.
LP	: Appliance with low pression.
PV	: Appliance with variable power.
PF	: Appliance with fixed power.

IDENTIFICATION PLATE

SERIAL NUMBER

10 Characters :	04 05 125 011		
		Sequential number	
		Manufacturing day	
		Year of manufacture	
11 Characters :	1 95 065004 - 31		
Month of manufacture :		Technical number of the appliance	
from 1 to 9 → Jan. to Sep.,		Sequential number	
O → Oct., N → Nov.,		Year of manufacture	
D → Dec.			
19 Characters :	08 05 0013199 900640031		
Year of manufacture		Product reference	
Month of manufacture		Sequential number	
20 Characters :	3675007 XX 2 07 070 00315		
Product reference		Sequential number	
Millenium of manufacture		Manufacturing day	
		Year of manufacture	
21 Characters :	3675007 XX 07 070 0000315		
Product reference		Sequential number	
Year of manufacture		Manufacturing day	

The indications mentioned on the prices, commercial or technical literature and the scheme are written for your guidance and are available at a given time. The CONSTRUCTOR retains the power to modify the presentation, the form, the size, the conception or the material of the products.