

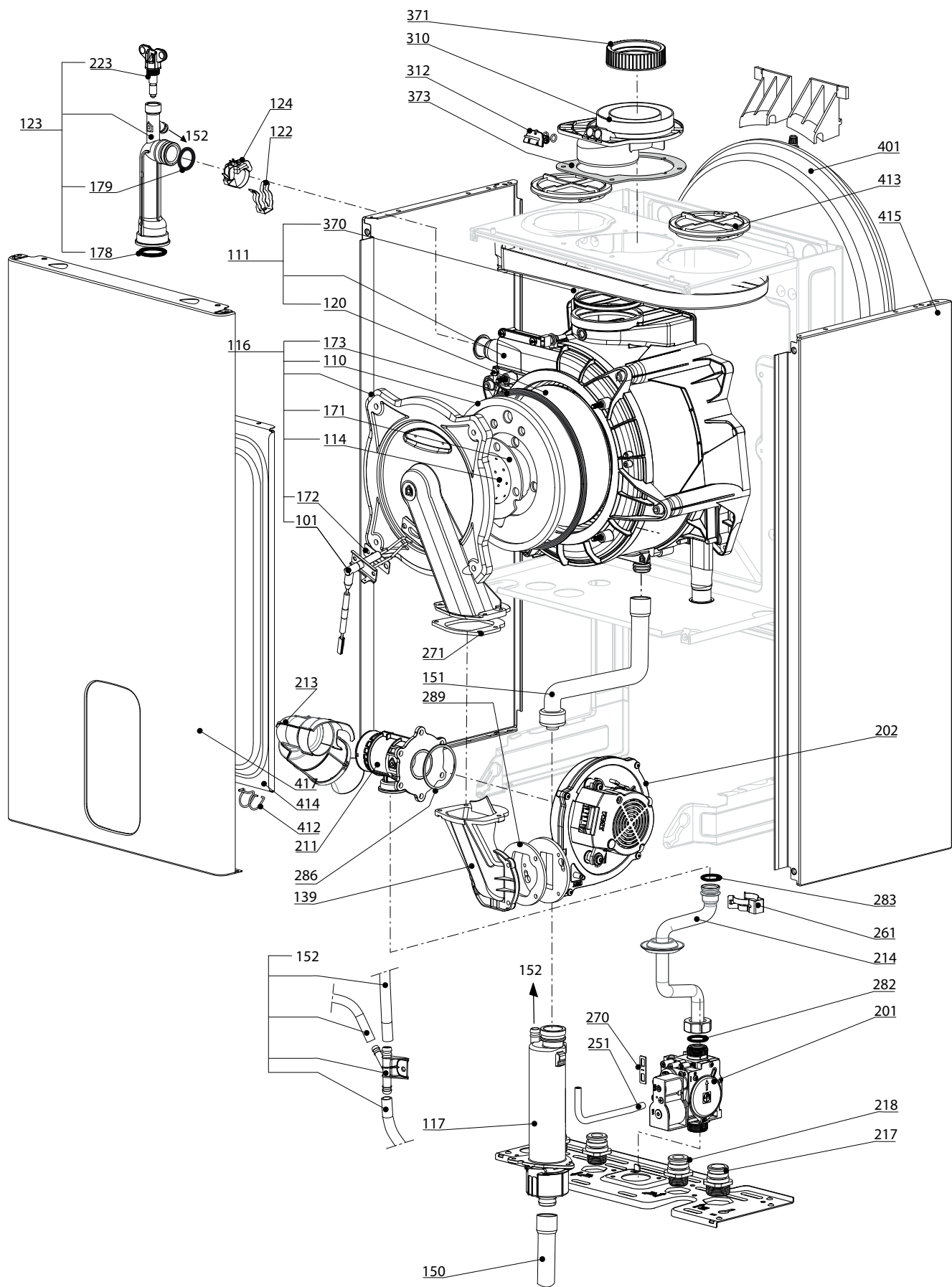
SPARE PARTS EXPLODED VIEW  
GAS-WALL CONDENSING BOILERS

Model

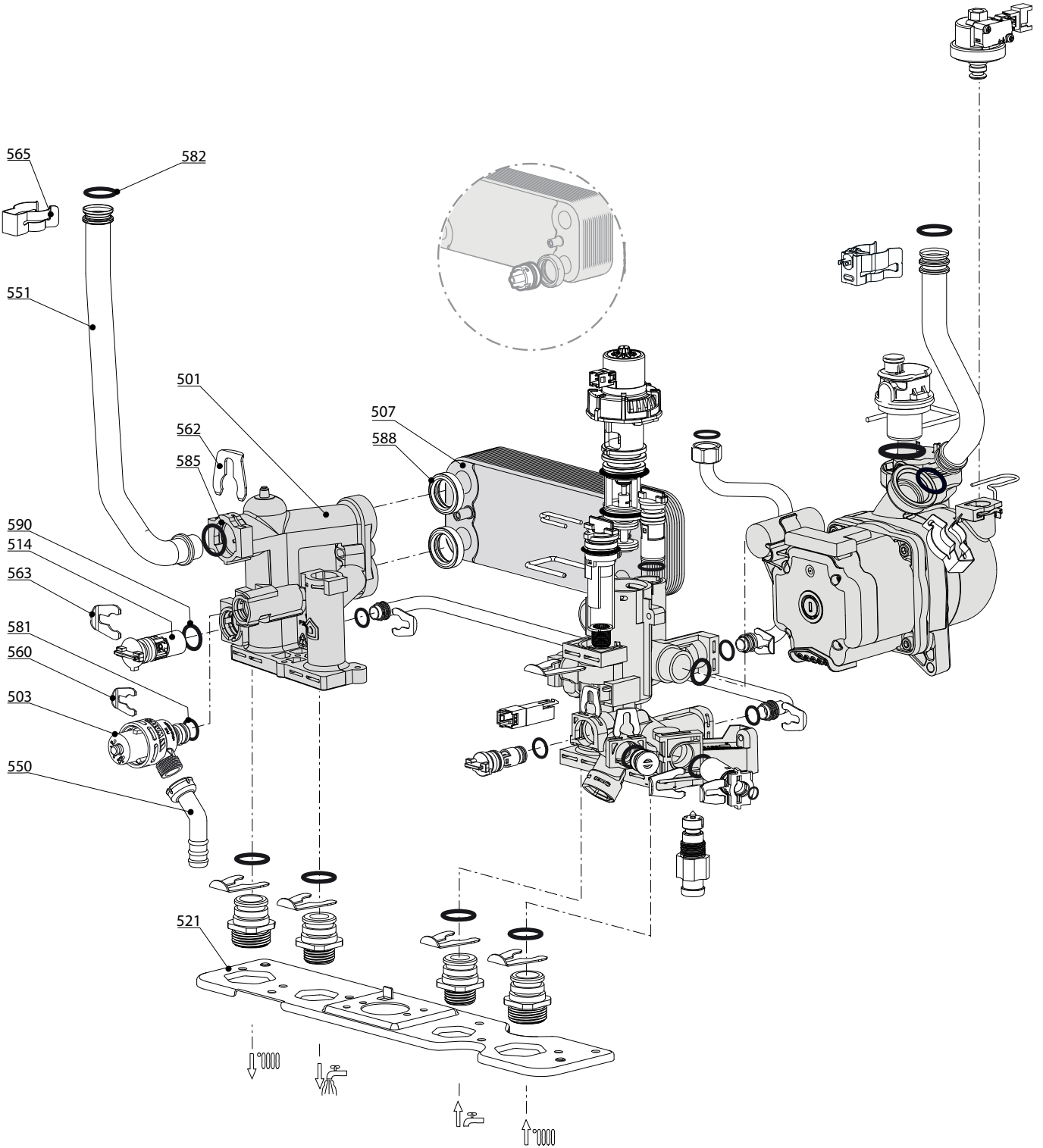
**MIRA C GREEN ULTRA 3CEP**

R8203508-05 - 22/03/2021

1	3310604	MIRA C GREEN ULTRA 25 3CEP FR	03-2018	-
2	3310605	MIRA C GREEN ULTRA 30 3CEP FR	03-2018	-
3	3310606	MIRA C GREEN ULTRA 35 3CEP FR	08-2018	-
Col	Reference	Model type	Begin	End



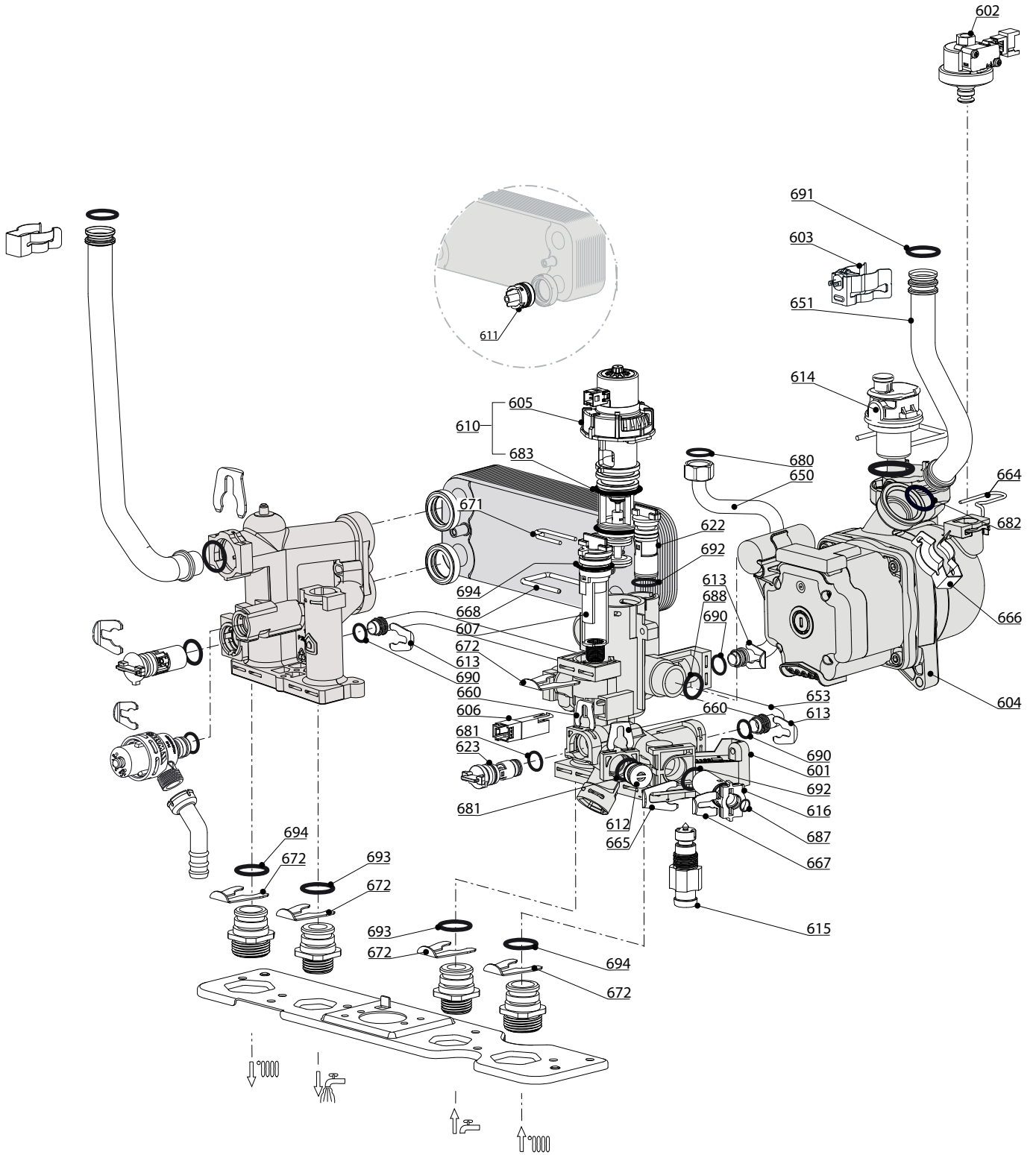
☉⇒	Description	Manf. Pt. N	Type	MIRA C.G. UL. 3CEP 25 MIRA C.G. UL. 3CEP 30 MIRA C.G. UL. 3CEP 35																		From	to
				1	2	3	4	5	6	7	8	9	10	11	12	13	14	15	16	17	18		
	<b>0100 BURNER ASSEMBLY</b>																						
	0101 IGNITION ELECTRODE	65117381-01		●	●	●																	
	0110 INSULATION (FRONT PANEL)	65116512		●	●	●																	
	0111 HEAT EXCHANGER (24KW)	60002807-02		●																			
	HEAT EXCHANGER (30KW)	60002816-02			●																		
	HEAT EXCHANGER (35KW)	60002817-02				●																	
	0114 BURNER 24KW	65116596		●																			
	BURNER 30kW	65116603			●																		
	BURNER 35KW	65118145				●																	
	0116 DOOR ASSY	65116515		●	●	●																	
	0117 CONDENSATE TRAP	65117391		●	●	●																	
	0120 PANEL (INSULATION - REAR)	65116047		●	●	●																	
	0122 CLIP	65116517		●	●	●																	
	0123 AIR VENT	65117402		●	●	●																	
	0124 TEMPERATURE PROBE + CLIP	990686-01		●	●	●																	
	0139 DUCT FIRST SECTION	65117429		●	●	●																	
	0150 PLASTIC PIPE CONDENSATE DRAIN	65117092		●	●	●																	
	0151 FLEXIBLE PIPE	65117394		●	●	●																	
	0152 CONNECTION Y +TUBES	65117078-01		●	●	●																	
	0171 GASKET (BURNER)	65116521		●	●	●																	
	0172 GASKET (IGNITION ELECTRODE)	65116263		●	●	●																	
	0173 DOOR GASKET	60000623		●	●	●																	
	0178 O-RING 17.86X2.62	61308091		●	●	●																	
	0179 O-RING 18X2,8	65116846		●	●	●																	
	<b>0200 GAS SECTION</b>																						
	0201 GAS VALVE SIT	60002799-01		●	●	●																	
	0202 FAN ASSY	60001869		●	●	●																	
	0211 VENTURI 24 KW NG	60002804		●																			
	VENTURI 30 KW NG	60002818			●																		
	VENTURI 35KW	65118146				●																	
	0213 SILENCER	65117403		●	●	●																	
	0214 GAS PIPE 24KW	65117395		●																			
	GAS PIPE 30KW	65117407			●																		
	GAS PIPE 35KW	65117408				●																	
	0217 CH ADAPTER (3/4")	65114929		●	●	●																	
	0218 DHW ADAPTER (1/2")	65114930		●	●	●																	
	0223 DRAIN SCREW	65116528		●	●	●																	
	0251 SILICONE PIPE	60001613		●	●	●																	
	0261 CLIP	60000309		●	●	●																	
	0270 GASKET (SPARK GENERATOR)	574279		●	●	●																	
	0271 FAN GASKET	65117427		●	●	●																	
	0282 SHEET GASKET D: 24-18.2-1.5	60022835-01		●	●	●																	
	0283 O-RING 17,86X2,62	60002766		●	●	●																	
	0286 O-RING 165 NBR 70 Sh 61.91x3,53	60001878		●	●	●																	
	0289 FAN GASKET	65117428		●	●	●																	
	<b>0300 FAN ASSEMBLY</b>																						
	0310 BI FLUX CONNECTION 3CEP	65117397		●	●	●																	
	0312 FLUE TEST PORT PLUG	65104295		●	●	●																	
	0370 SEALING RING 80MM	60002815-01		●	●	●																	
	0371 MANIFOLD GASKET	65103366		●	●	●																	
	0373 GASKET	65117401		●	●	●																	
	<b>0400 SEALED CASE</b>																						
	0401 EXPANSION VESSEL 8L	65104261		●	●	●																	
	0412 SPRING FRONT PANEL (KIT)	65107048		●	●	●																	
	0413 AIR RETURN COVER	65104249		●	●	●																	
	0414 PANEL (FRONT - SEALED CHAMBER)	65105678-02		●	●	●																	
	0415 SIDE PANELS LEFT + RIGHT - WHITE	65117466			●	●																	
	SIDE PANELS LEFT+RIGHT-WHITE	65115804		●																			
	0417 CASE PANEL (FRONT)	60002834-01		●	●	●																	



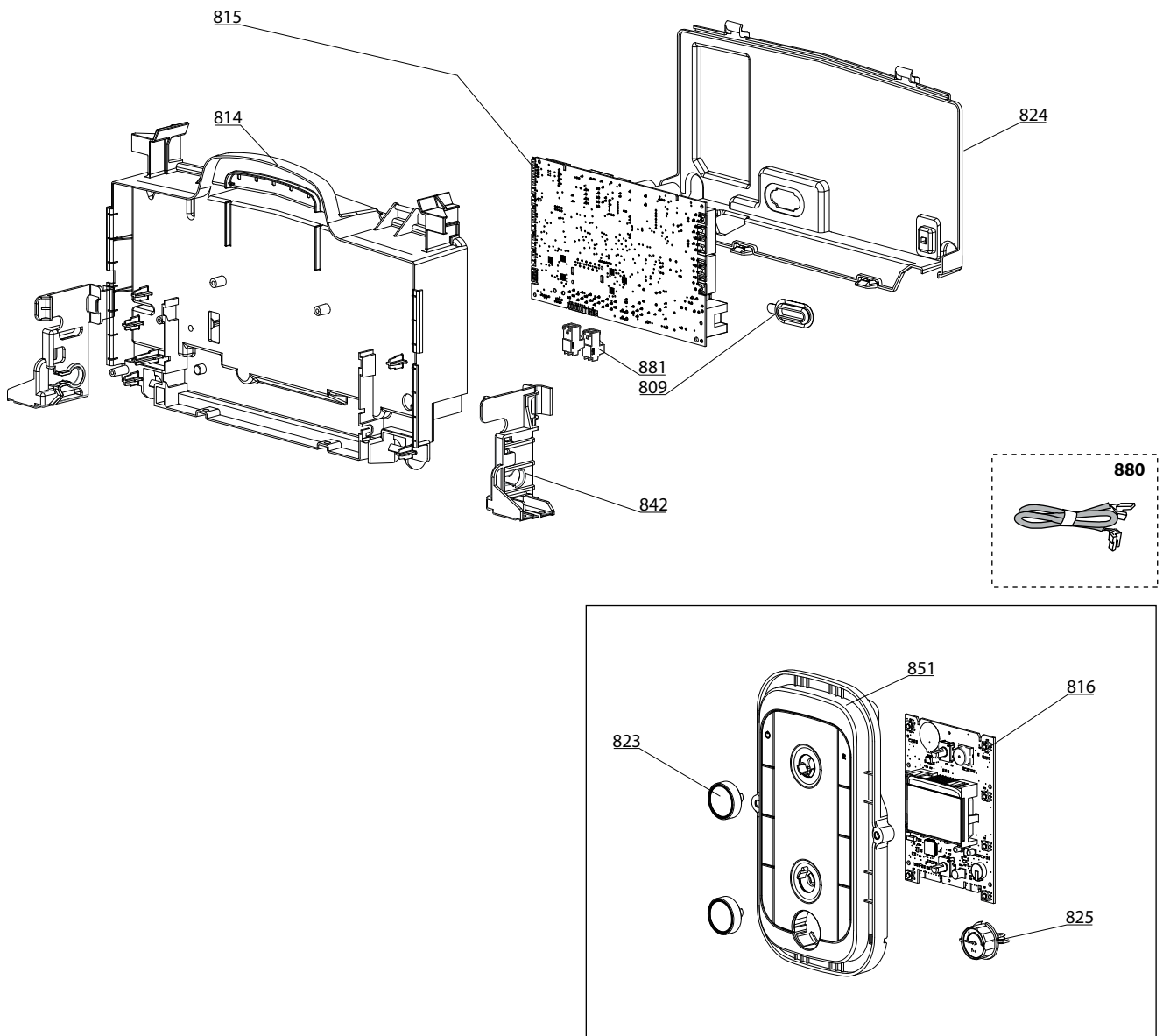
MIRA C.G. Ul. 3CEP 25  
 MIRA C.G. Ul. 3CEP 30  
 MIRA C.G. Ul. 3CEP 35

31

☉➔	Description	Manf. Pt. N	Type																			From	to
				1	2	3	4	5	6	7	8	9	10	11	12	13	14	15	16	17	18		
0500	FLOW GROUP																						
0501	FLOW GROUP	65115933		•	•	•																06/18	
	FLOW GROUP	65117952		•	•	•															07/18		
0503	PRESSURE RELIEF VALVE (3 BAR)	61312668		•	•	•																	
0507	SANITARY HEAT EXCHANGER (12 P.)	65116314		•	•																		
	SANITARY HEAT EXCHANGER (16 P.)	65116537				•																	
0514	BY-PASS	65114917		•	•	•																	
0521	TRAY HIDRAULIC GROUP	65119362		•	•	•																	
0550	PIPE (SAFETY VALVE OUTLET)	60001955		•	•	•																	
0551	PIPE (C.H. FLOW) 24KW	65117398		•																			
	PIPE (C.H. FLOW) 30KW	65117470				•																	
	PIPE (C.H. FLOW) 35W	65117471					•																
0560	CLIP D:10	65114933		•	•	•																	
0562	CLIP D18	65104259		•	•	•																	
0563	CLIP D:12	65114932		•	•	•																	
0565	CLIP	60000309		•	•	•																	
0581	O-RING 17.96X2.62	65104337		•	•	•																	
0582	O-RING 17.86X2.62	61308091		•	•	•																	
0585	O-RING 17.04X3.53	65104262		•	•	•																	
0588	EXCHANGER GASKET	65114928		•	•	•																	
0590	O-RING 11.91X2.62	65114940		•	•	•																	



☉	Description	Manf. Pt. N	Type	MIRA C.G. UL. 3CEP 25 MIRA C.G. UL. 3CEP 30 MIRA C.G. UL. 3CEP 35																		From	to
				1	2	3	4	5	6	7	8	9	10	11	12	13	14	15	16	17	18		
0600	RETURN GROUP																						
0601	RETURN GROUP	65116833		●	●	●															06/18		
	RETURN GROUP	65117954		●	●	●														07/18			
0602	LOW PRESSURE SWITCH	65115792		●	●	●																	
0603	TEMPERATURE PROBE + CLIP	990686-01		●	●	●																	
0604	PUMP 5M PWM TACO	65116908-03	TACO	●	●	●																	
0605	MOTOR (3-WAY VALVE)	65114936		●	●	●																	
0606	SENSOR (REED)	65114921-01		●	●	●																	
0607	FLOW METER CAP	65114919		●	●	●																	
0610	MOTOR + SPRING 3 WAY VALVE KIT	65114924		●	●	●																	
0611	RIDUCTORS (KIT)	65116836		●	●																		
0612	PLUG	65114920		●	●	●																	
0613	CLIP D10	65104260		●	●	●																	
0614	AUTO AIR VENT - PANASONIC	65116392	PANA.	●	●	●																	
	AUTO AIR VENT - TACO ENER+	65112086	TACO	●	●	●																	
0615	DRAIN COCK	65114922		●	●	●																	
0616	WATER FILTER	65114923		●	●	●																	
0622	BY-PASS	65114917		●	●	●																	
0623	CHECK VALVE CARTRIDGE	65114918-01		●	●	●																	
0650	PIPE (EXPANSION VESSEL)	65115068		●	●	●																	
0651	PIPE (C.H. RETURN)	60002811		●	●	●																	
0653	BY-PASS PIPE	65116210		●	●	●															06/18		
0660	CLIP D:10	65114933		●	●	●																	
0664	CLIP	65104322		●	●	●																	
0665	CLIP D:12	65114932		●	●	●																	
0666	CLIP	60000309		●	●	●																	
0667	CLIP D:6	65100680		●	●	●																	
0668	CLIP	65114927		●	●	●																	
0671	CLIP	65114926		●	●	●																	
0672	CLIP D=19	65114931		●	●	●																	
0680	GASKET 3/8 in	573521		●	●	●																	
0681	O-RING 9.9X2.62	65114937		●	●	●																	
0682	O-RING 17.04X3.53	65104262		●	●	●																	
0683	O-RING 23.47X2.62	65114939		●	●	●																	
0687	O-RING 5.7X1.9	61009834-10		●	●	●																	
0688	O-RING 21.89X2.62	65104320		●	●	●																	
0690	O-RING 8.9X2.7	61009834-14		●	●	●																	
0691	O-RING 17.86X2.62	61308091		●	●	●																	
0692	O-RING 11.91X2.62	65114940		●	●	●																	
0693	O-RING 15,88X2.62	65114941		●	●	●																	
0694	O-RING 17.13X2.62	65114938		●	●	●																	



5000

<p><b>5001</b></p> <p>Transf. gaz G31 Conv. gas G31 Trasf. gas G31 Transf. gas G31</p>	<p><b>5002</b></p> <p>Transf. gaz G23 Conv. gas G25 Trasf. gas G25 Transf. gas G25</p>	<p><b>5004</b></p> <p>Transf. gaz G130/25/2350 Conv. gas G130/25/2350 Trasf. gas G130/25/2350 Transf. gas G130/25/2350</p>	<p><b>5020</b></p> <p>Accessories Options Opzioni Accessorio Zubehör Opties</p>
--	--	--	---



MIRA C.G. Ul. 3CEP 25  
MIRA C.G. Ul. 3CEP 30  
MIRA C.G. Ul. 3CEP 35

31

Description	Manf. Pt. N	Type																			From	to
			1	2	3	4	5	6	7	8	9	10	11	12	13	14	15	16	17	18		
<b>0800 ELECTRICAL BOX</b>																						
0809 GROMMET (PCD TOOL ACCESS)	998382		●	●	●																	
0814 CONTROL PANEL COVER (FRONT)	65115784		●	●	●																	
0815 P.C.B. (MAIN)	65116585-05		●	●	●																	
0816 P.C.B. (DISPLAY)	60002839-01		●	●	●																	
0823 WHITE KNOB	60002840		●	●	●																	
0824 CONTROL PANEL COVER (REAR)	65117399		●	●	●																	
0825 PRESSURE GAUGE	60002838		●	●	●																	
0842 SIDE COVER SUPPORT	65115811		●	●	●																	
0851 FRONT CONTROL PANEL COMPLETE	60002856		●	●	●																	
0880 3-WAY VALVE CABLE	65116589		●	●	●																	
CABLE (FAN)	65116579		●	●	●																	
CABLE (IGNITION ELECTRODE)	65116583		●	●	●																	
DISPLAY WIRING - 5 WIRES BLUES	60000746		●	●	●																	
EARTH WIRE	65104286		●	●	●																	
FEEDER 240V	60001619		●	●	●																	
GAS VALVE WIRING KIT	65119394		●	●	●																	
NTC CABLE	65116694		●	●	●																	
PUMP CABLE HE	65117069		●	●	●																	
0881 CONNECTOR 2P	65111933		●	●	●																	
CONNECTOR 3P (x5)	65111934-01		●	●	●																	
<b>5000 ACCESSORIES</b>																						
5001 BURNER JET FULL KIT LPG G31 25-30KW	65119501		●	●																		
KIT LPG G31 35 KW BIVOL EVO II	65119542				●																	
5002 BURNER JET FULL KIT NG G25 30KW	65118606				●	●																
5004 BURNER JET FULL KIT 24KW NG G130/25/2350	65116808		●																			
5020 RIDUCTORS (KIT)	65116836		●	●	●																	

MIRA C GREEN ULTRA 3CEP

Gas-wall condensing boilers

## LIST OF THE ABBREVIATIONS

HW .....	: Hot water.
CW .....	: Cold water.
C .....	: Ceramic resistance (normal heating).
Ca .....	: Ceramic resistance (accelerated heating)
TP .....	: Immersion heater.
1F .....	: With fittings.
2F .....	: Without fittings.
3F .....	: With fittings and another outlet connection.
AMI .....	: With mixing valve.
SMI .....	: Without mixing valve.
PUISS .....	: Power of th appliance.
PN .....	: Appliance with normal pression.
LP .....	: Appliance with low pression.
PV .....	: Appliance with variable power.
PF .....	: Appliance with fixed power.

## IDENTIFICATION PLATE

### SERIAL NUMBER

<b>10 Characters :</b>	04 05 125 011	Sequential number
		Manufacturing day
		Year of manufacture
<b>11 Characters :</b>	1 95 065004 - 31	Technical number of the appliance
Month of manufacture : from 1 to 9 → Jan. to Sep., O → Oct., N → Nov., D → Dec.		Sequential number
		Year of manufacture
<b>19 Characters :</b>	08 05 0013199 900640031	Product reference
Year of manufacture		Sequential number
Month of manufacture		
<b>20 Characters :</b>	3675007 XX 2 07 070 00315	Sequential number
Product reference		Manufacturing day
Millenium of manufacture		Year of manufacture
<b>21 Characters :</b>	3675007 XX 07 070 0000315	Sequential number
Product reference		Manufacturing day
Year of manufacture		