

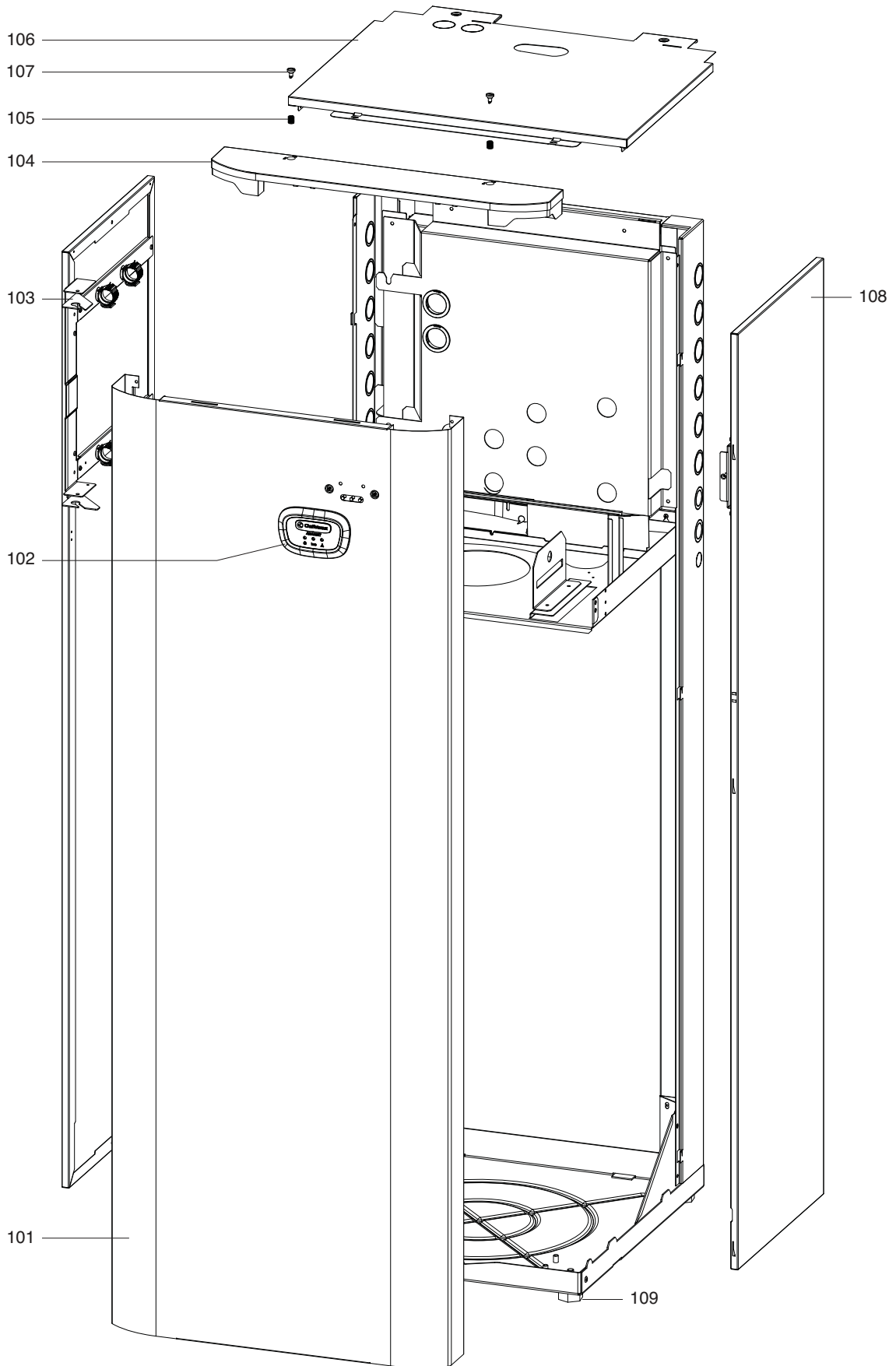
SPARE PARTS EXPLODED VIEW HEAT PUMPS

Model

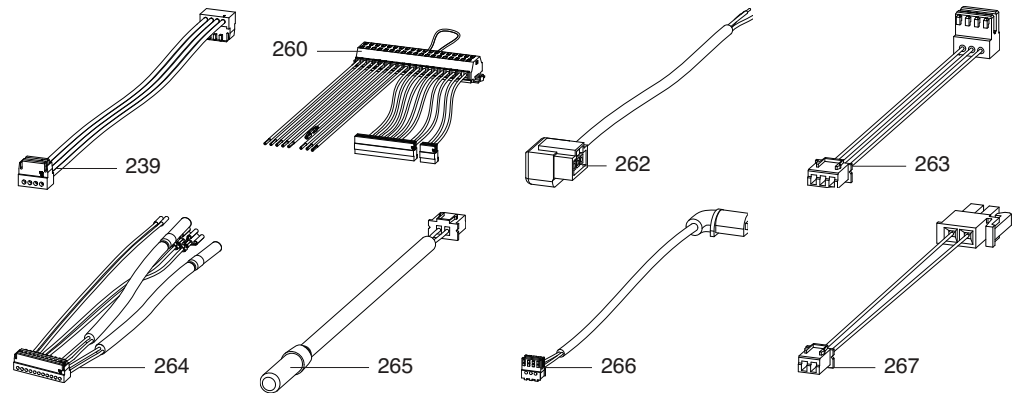
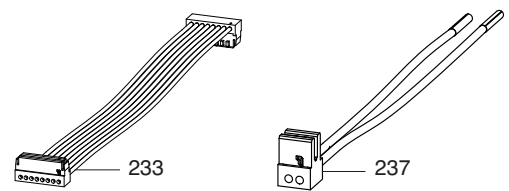
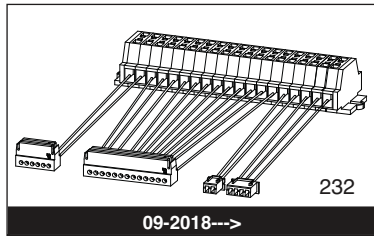
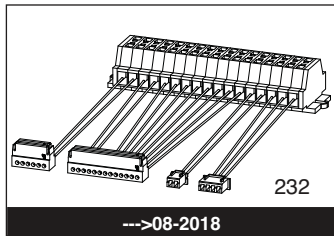
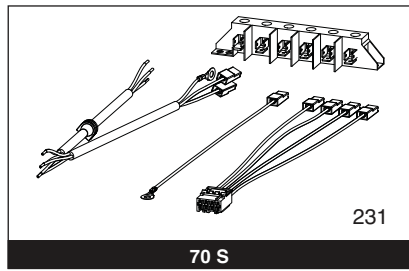
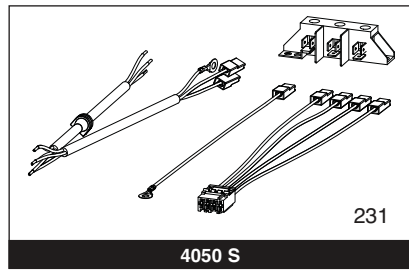
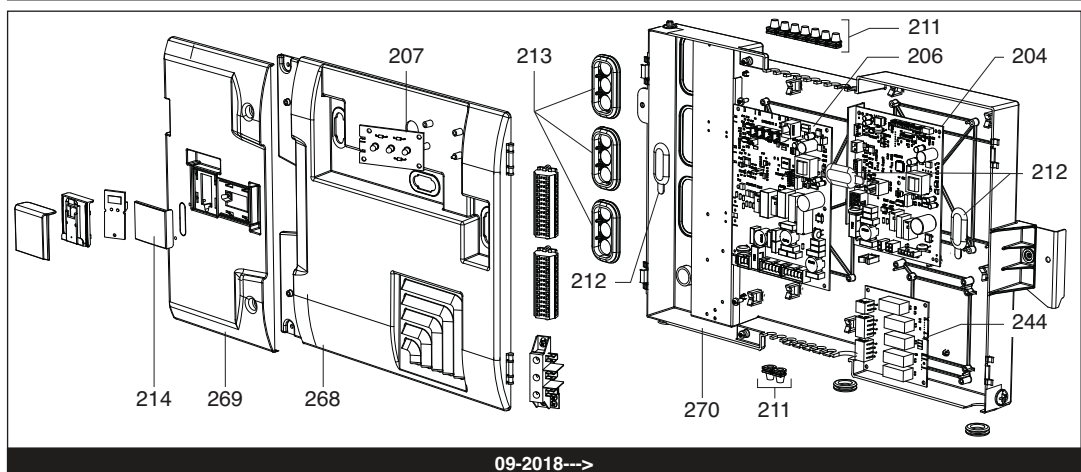
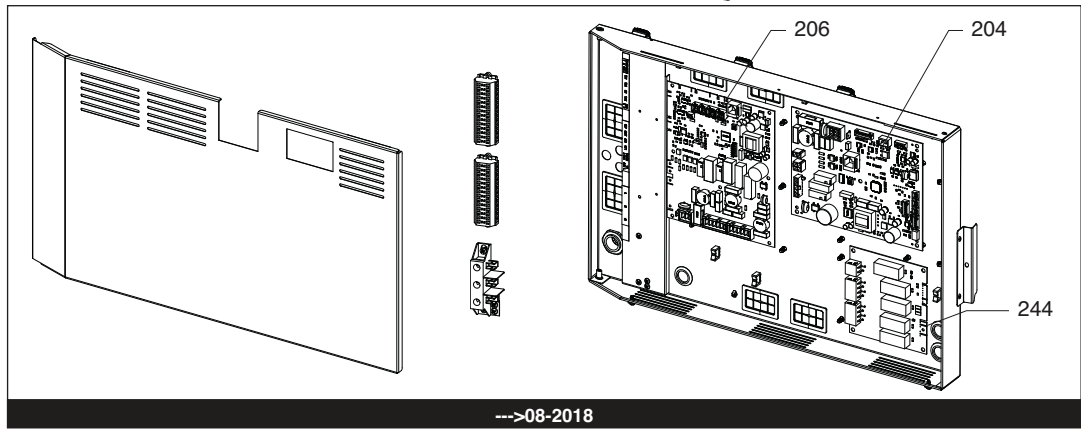
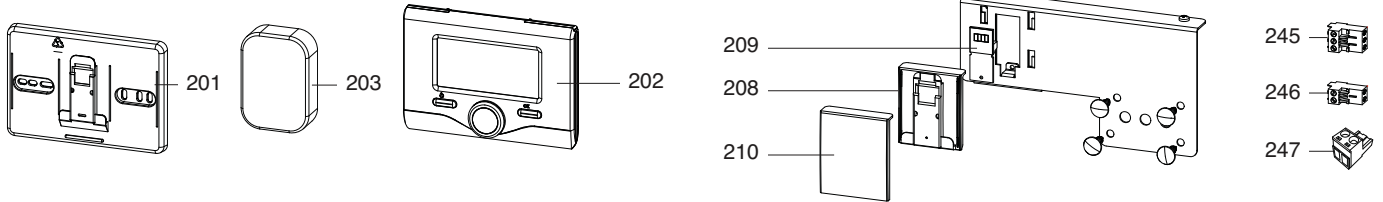
ARIANEXT FSP S

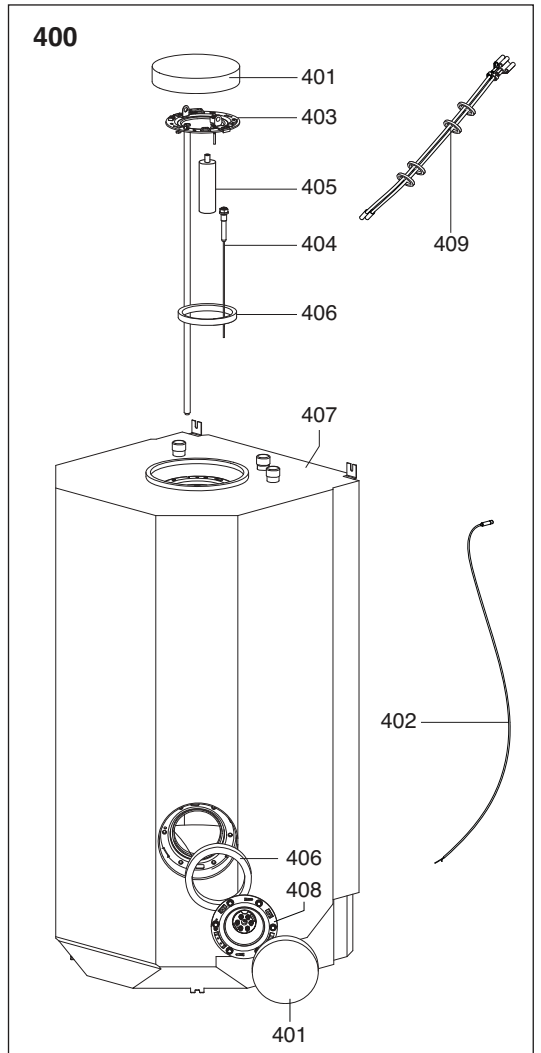
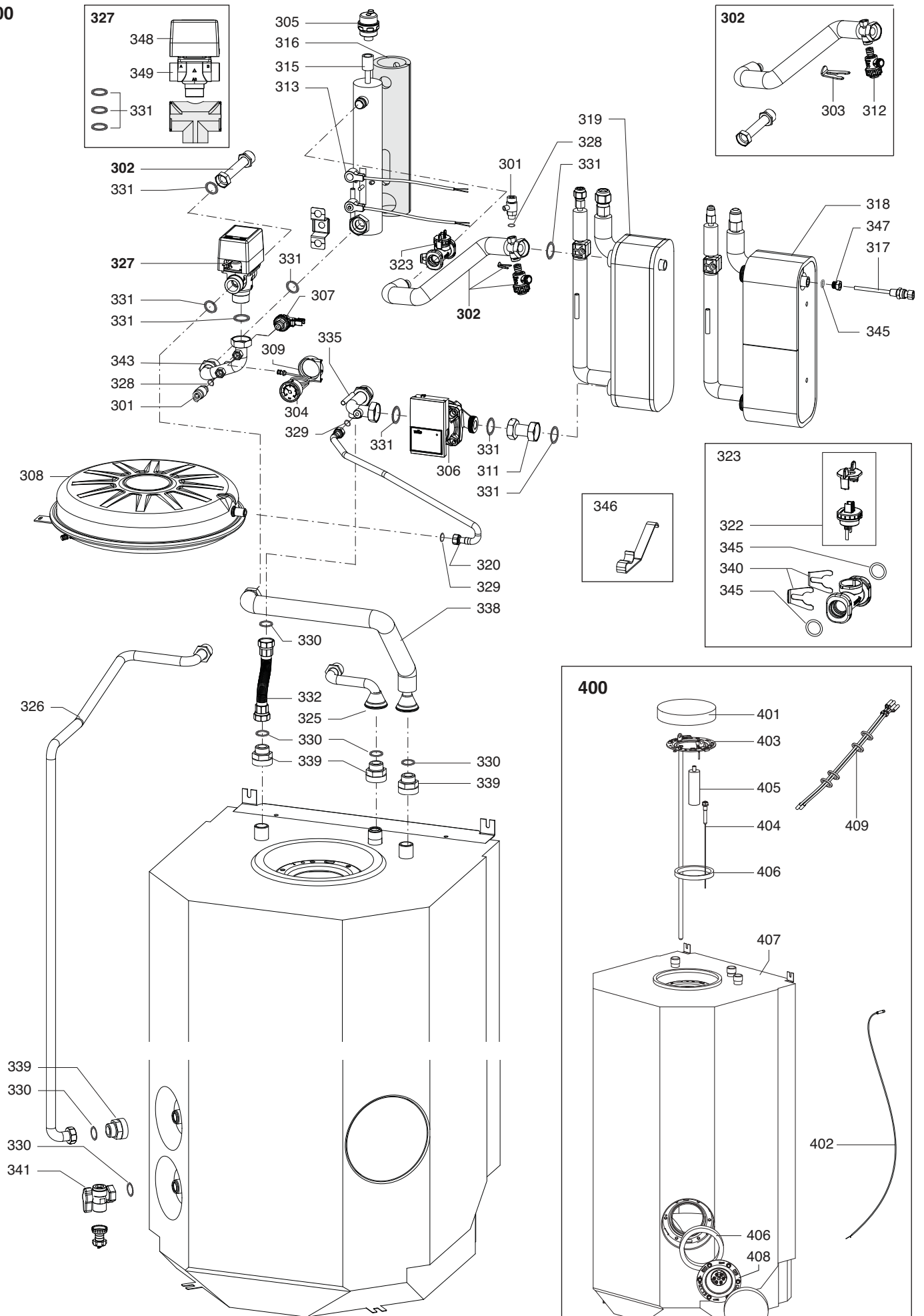
R8217565-12 - 17/05/2021

1	3310496	ARIANEXT FSP 4050 S	09-2016	-
2	3310497	ARIANEXT FSP 70 S	09-2016	-
Col	Reference	Model type	Begin	End



200





Description	Manf. Pt. N	Type	4030 S 70 S																		
			1	2	3	4	5	6	7	8	9	10	11	12	13	14	15	16	17	18	From
0300 WATER SECTION ASSY																					
0301 DRAIN VALVE	573727		●	●																	
0302 TUBES KIT FS PRODUCTS	65116843		●	●																	
0303 CLIP D:10	65104260		●	●																	
0304 PRESSURE GAUGE	65102220		●	●																	
0305 AUTO AIR VENT WITH O-RING	65117054		●	●																	
0306 PUMP YONOS PARA 7.0	65114952		●	●																	
0307 WATER PRESSURE SWITCH	65113494		●	●																	
0308 EXPANSION VESSEL	65113495		●	●																	05/21
EXPANSION VESSEL	65120990		●	●																06/21	
0309 SUPPORT (PRESSURE GAUGE)	65107076		●	●																	
0311 COPPER PIPE PUMP > EXCHANGER	65115979		●	●																	
0312 PRESSURE RELIEF VALVE (3 BAR)	61312668		●	●																	
0313 WIRING THERMOSTATS PCM 3.1	65116480		●	●																	
0315 HEATING ELEMENT 2+2 kW	65115963		●	●																	
0316 HEATING ELEMENT INSULATION	65119776		●	●																	
0317 PROBE LWT	65153396		●	●																	
0318 PRIMARY HEAT EXCHANGER FS MEDIUM	65118225		●	●																	
0319 PRIMARY HEAT EXCHANGER FS SMALL	65118224		●	●																	
0320 EXPANSION VESSEL PIPE	65113928		●	●																	
0322 FLOW SENSOR DN15	65115993		●	●																	
0323 WATER FLOWMETER DN15	65115964-01		●	●																	
0325 COPPER PIPE DOMESTIC HOT WATER	65117060		●	●																	
0326 COPPER PIPE COLD WATER SANITARY INLET	65117061		●	●																	
0327 SUBSTITUTION KIT 3-W VALVE	65119728		●	●																	
0328 GASKET 1/4Z	569390		●	●																	
0329 GASKET 3/8	12059132		●	●																	
0330 GASKET (3/4)	12035966		●	●																	
0331 GASKET 1 in	569387		●	●																	
0332 FLEXIBLE PIPE TANK RETURN	65115985		●	●																	
0335 COPPER PIPE PUMP RETURN	65115982		●	●																	
0338 COPPER PIPE TANK INLET	65115980		●	●																	
0339 DIELECTRIC JOINT 3/4	65119658		●	●																	
0340 CLIP D:18	65104259		●	●																	
0341 WATER FLOW & RETURN SERVI. TAP	60000885		●	●																	
0343 COPPER PIPE HEAT. ELEMENT > 3 WAY VALVE	65115978		●	●																	
0345 O-RING D12,42X1,78 SYPHON (3X)	64990024		●	●																	
0346 PROBE CLIP	65115989		●	●																	
0347 NUT ADAPTOR 1/4" M - 1/8" F	65117204		●	●																	
0348 DIVERTER VALVE MOTORIZED HEAD	65119726		●	●																10/19	
0349 3-WAY VALVE (BODY)	65119727		●	●																10/19	
0400 HOT WATER TANK																					
0401 ISOLATING PAD AIGUILENE D210	60002555		●	●																	
0402 HEAT SENSOR CYLINDER (L=1820)	65112028		●	●																	
0403 FLANGE	65113894		●	●																	
0404 ANODE (PROTECH)	60002112		●	●																	
0405 ANODE D21,3 L:110 M5-M8	65103768-01		●	●																	
0406 FLANGE GASKET D121,7 X 105 X 11,5	60000682		●	●																	
0407 TANK 180 L PACMAN FSU	65119414		●	●																	
0408 MATING FLANGE	60002290		●	●																	
0409 WIRING ANODE (PROTECH)	65114987		●	●																	

LIST OF THE ABBREVIATIONS

HW	: Hot water.
CW	: Cold water.
C	: Ceramic resistance (normal heating).
Ca	: Ceramic resistance (accelerated heating)
TP	: Immersion heater.
1F	: With fittings.
2F	: Without fittings.
3F	: With fittings and another outlet connection.
AMI	: With mixing valve.
SMI	: Without mixing valve.
PUISS	: Power of th appliance.
PN	: Appliance with normal pression.
LP	: Appliance with low pression.
PV	: Appliance with variable power.
PF	: Appliance with fixed power.

The indications mentioned on the prices, commercial or technical literature and the scheme are written for your guidance and are available at a given time. The CONSTRUCTOR retains the power to modify the presentation, the form, the size, the conception or the material of the products.
