



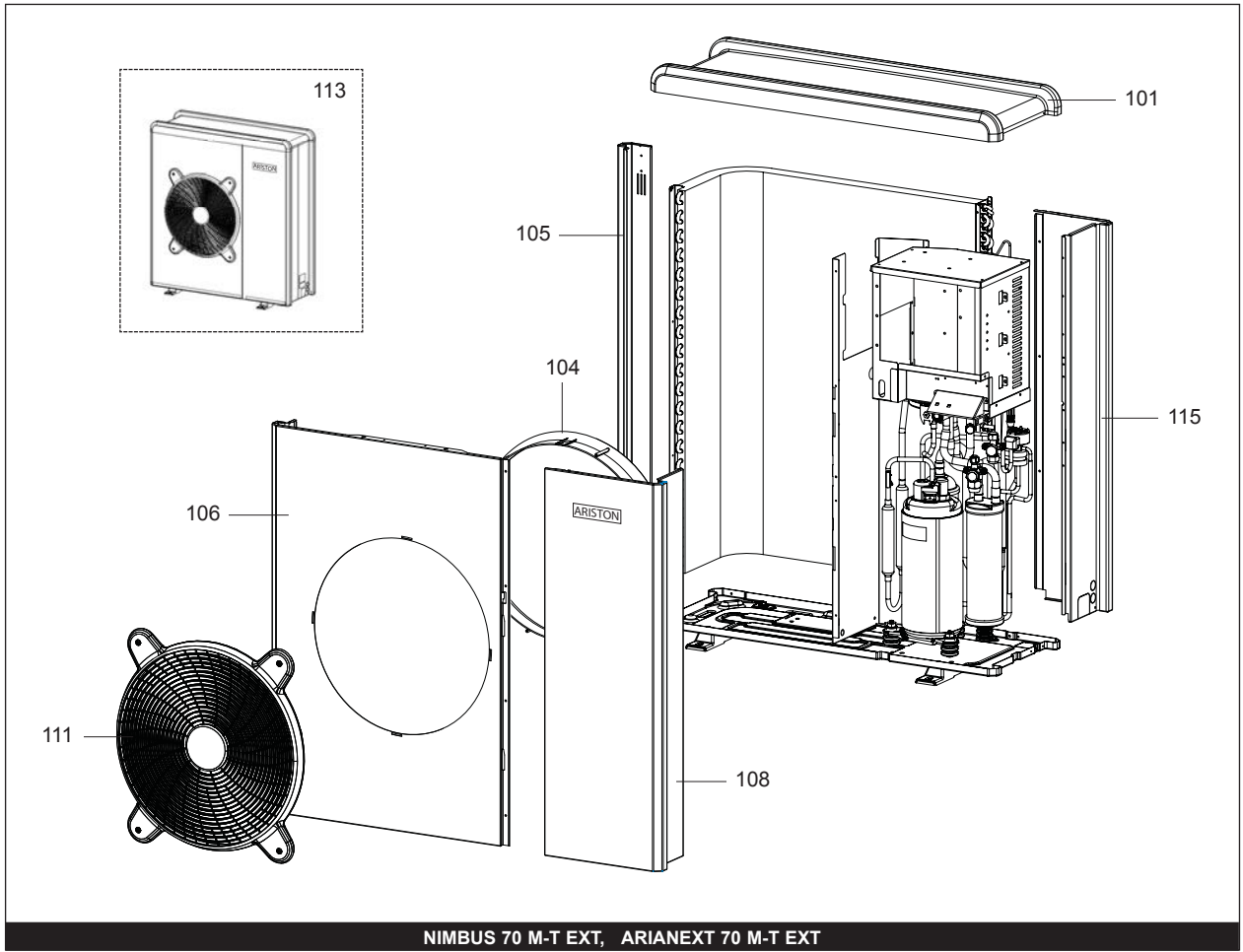
# SPARE PARTS EXPLODED VIEW HEAT PUMPS

Model

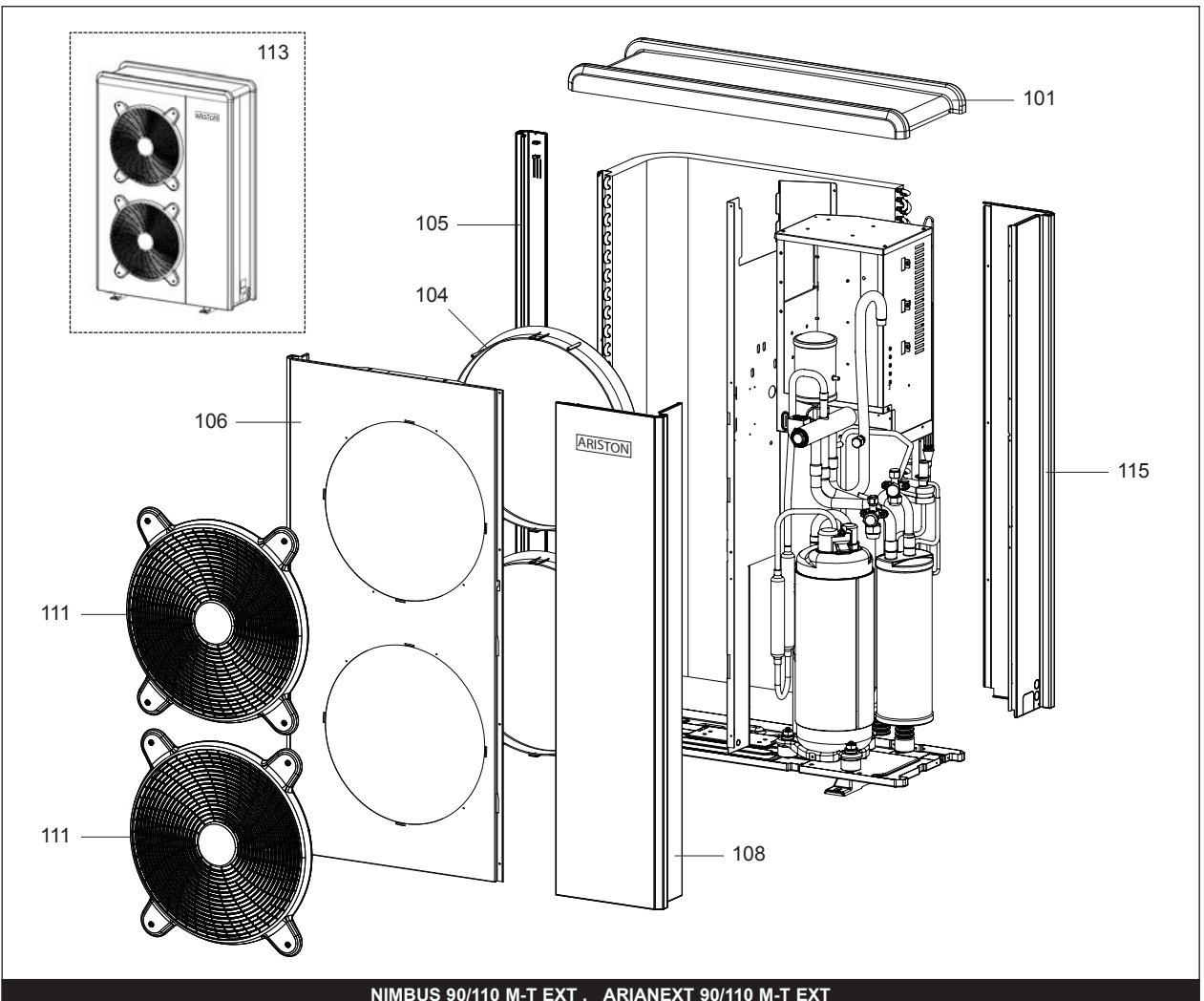
## NIMBUS/ARIANEXT M-T EXT

R8217831-11 - 23/02/2021

| 1   | 3630187   | NIMBUS 70 M-T EXT    | 06-2017 | -   |
|-----|-----------|----------------------|---------|-----|
| 2   | 3630193   | ARIANEXT 70 M-T EXT  | 06-2017 | -   |
| 3   | 3630188   | NIMBUS 90 M-T EXT    | 06-2017 | -   |
| 4   | 3630194   | ARIANEXT 90 M-T EXT  | 06-2017 | -   |
| 5   | 3630189   | NIMBUS 110 M-T EXT   | 06-2017 | -   |
| 6   | 3630195   | ARIANEXT 110 M-T EXT | 06-2017 | -   |
| Col | Reference | Model type           | Begin   | End |

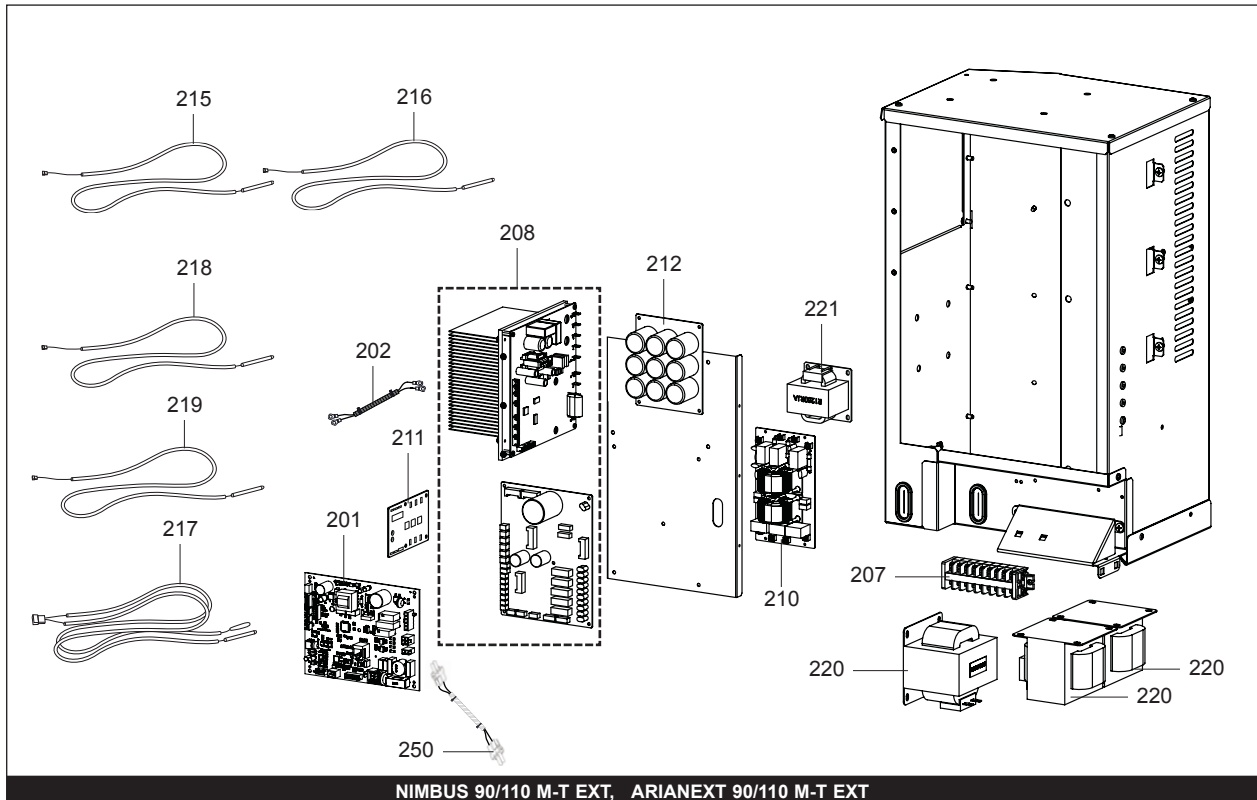
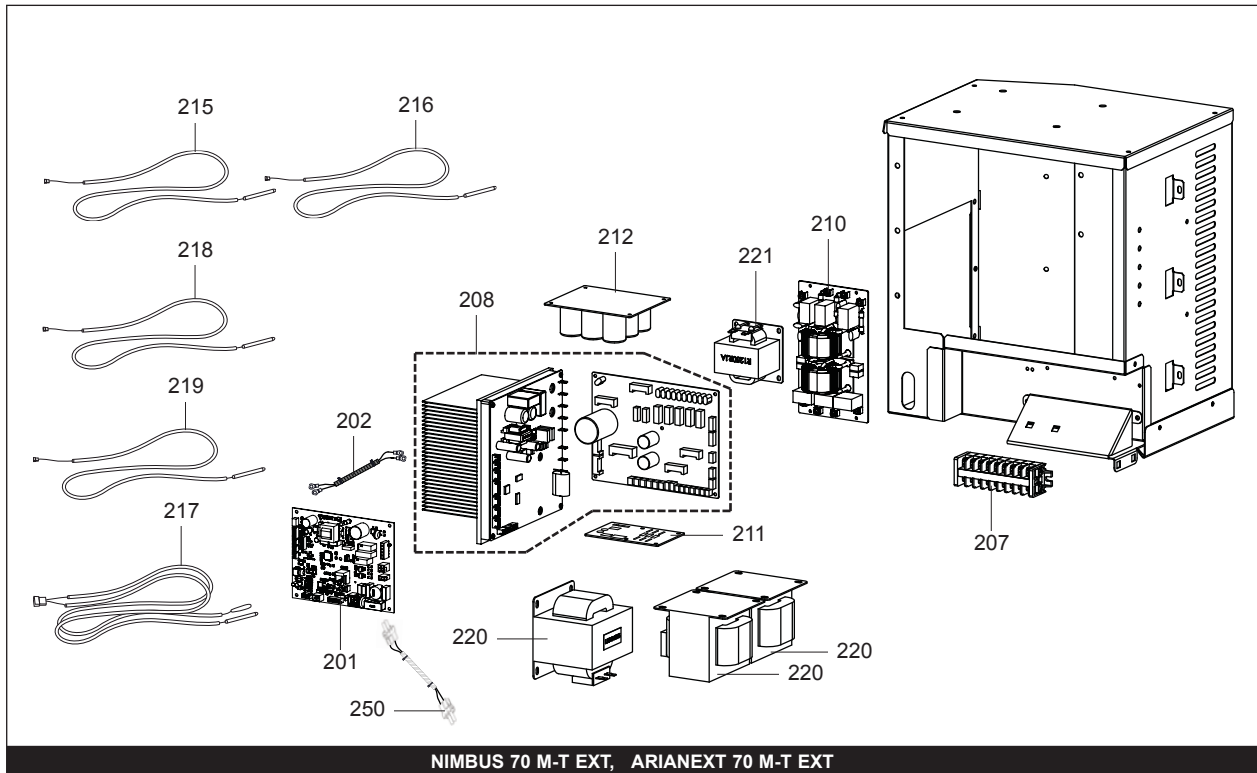


NIMBUS 70 M-T EXT , ARIANEXT 70 M-T EXT

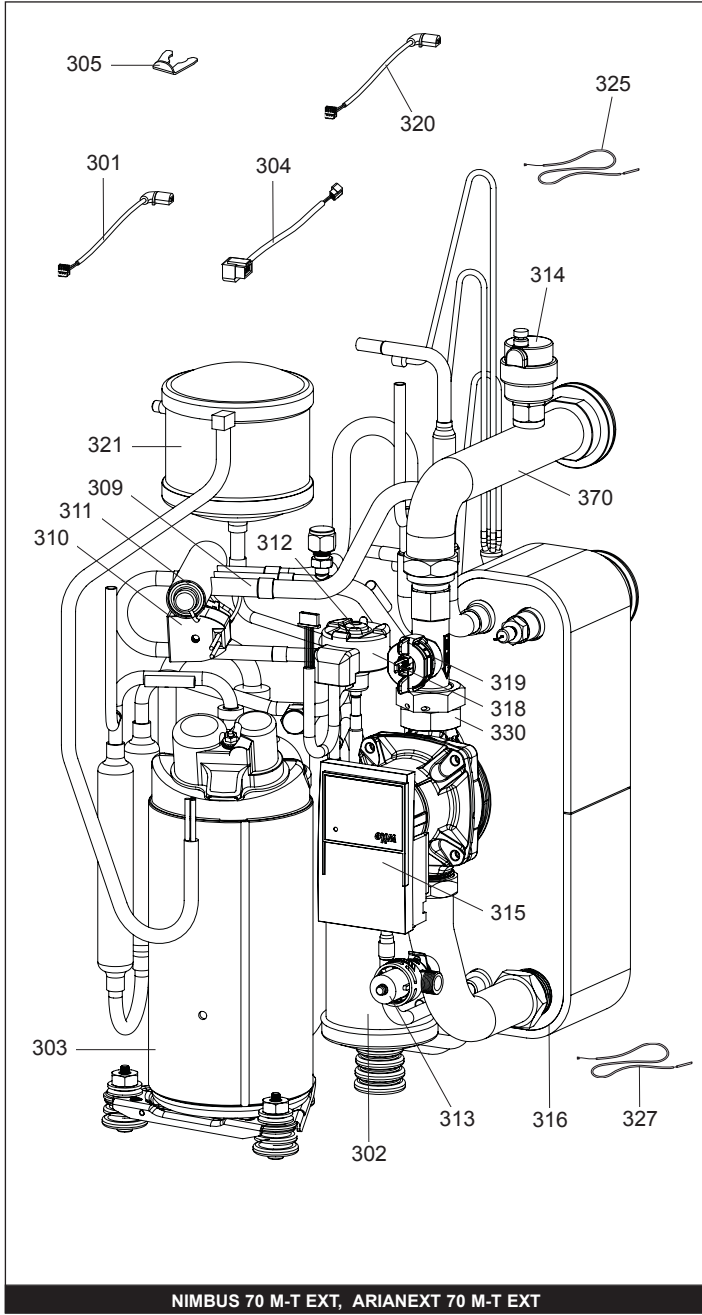


NIMBUS 90/110 M-T EXT , ARIANEXT 90/110 M-T EXT

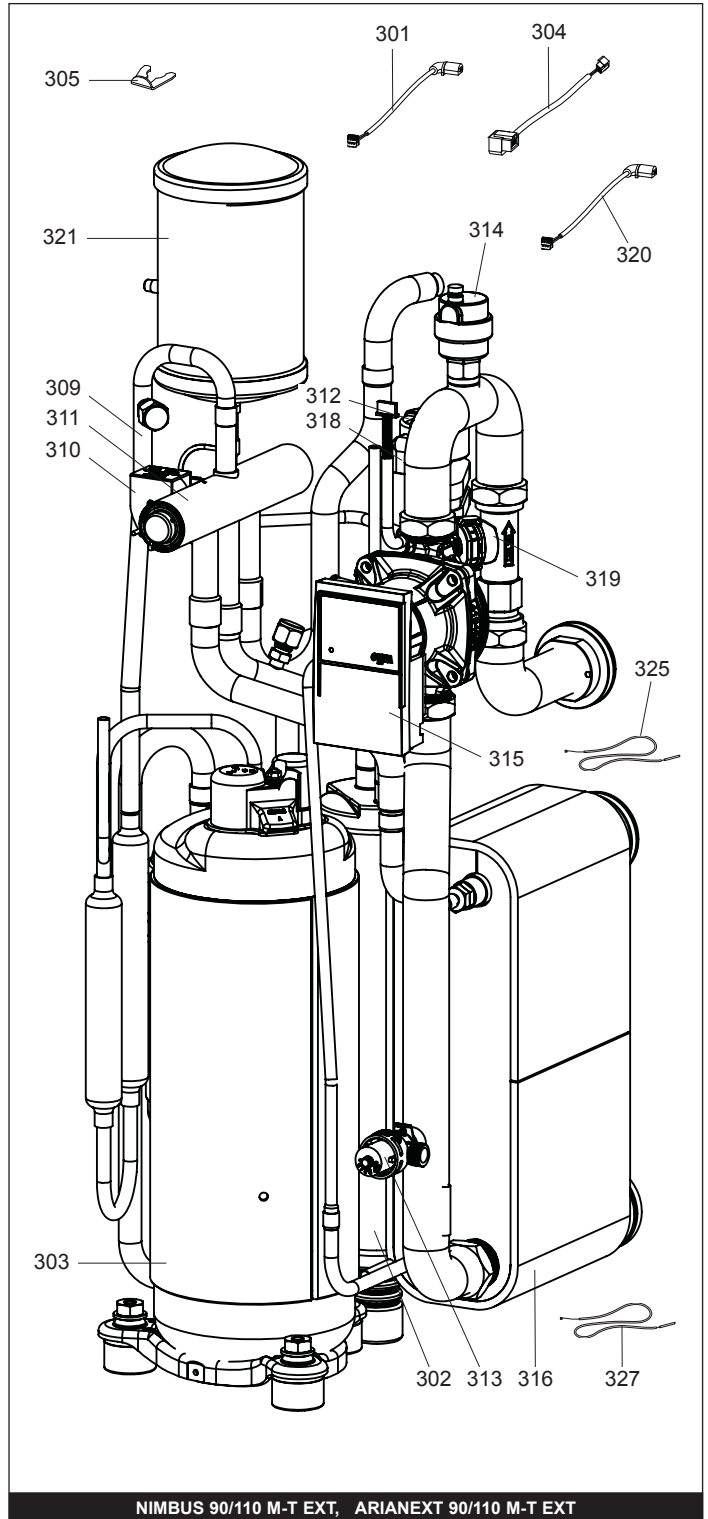




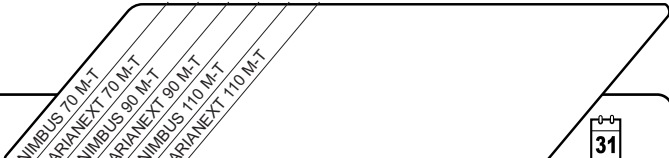
| ☉⇒          | Description                        | Manf. Pt. N | Type    |   |   |   |   |   |   |   |   |   |    |    |    |    |    |    |    |    |    |      |    |
|-------------|------------------------------------|-------------|---------|---|---|---|---|---|---|---|---|---|----|----|----|----|----|----|----|----|----|------|----|
|             |                                    |             |         | 1 | 2 | 3 | 4 | 5 | 6 | 7 | 8 | 9 | 10 | 11 | 12 | 13 | 14 | 15 | 16 | 17 | 18 | From | to |
| <b>0200</b> | <b>ELECTRICAL BOX</b>              |             |         |   |   |   |   |   |   |   |   |   |    |    |    |    |    |    |    |    |    |      |    |
| 0201        | P.C.B. (TDM)                       | 65153433-04 |         | ● | ● | ● | ● | ● | ● |   |   |   |    |    |    |    |    |    |    |    |    |      |    |
| 0202        | CONNECTION WIRING (INVERTER - TDM) | 65154526    |         | ● | ● | ● | ● | ● | ● |   |   |   |    |    |    |    |    |    |    |    |    |      |    |
| 0207        | 9-POLES TERMINAL BLOCK             | 65153100    |         | ● | ● | ● | ● | ● | ● |   |   |   |    |    |    |    |    |    |    |    |    |      |    |
| 0208        | P.C.B. (INVERTER) + CONTROL BOARD  | 65115953    |         | ● | ● |   |   |   |   |   |   |   |    |    |    |    |    |    |    |    |    |      |    |
|             | P.C.B. (INVERTER) + CONTROL BOARD  | 65115954-01 |         |   |   |   | ● | ● |   |   |   |   |    |    |    |    |    |    |    |    |    |      |    |
|             | P.C.B. (INVERTER) + CONTROL BOARD  | 65115955-01 |         |   |   |   |   |   | ● | ● |   |   |    |    |    |    |    |    |    |    |    |      |    |
| 0210        | FILTER BOARD                       | 65153097    |         | ● | ● | ● | ● | ● | ● |   |   |   |    |    |    |    |    |    |    |    |    |      |    |
| 0211        | PROTECTION BOARD                   | 65153098    |         | ● | ● | ● | ● | ● | ● |   |   |   |    |    |    |    |    |    |    |    |    |      |    |
| 0212        | CAPACITOR BOARD                    | 65153099    |         | ● | ● | ● | ● | ● | ● |   |   |   |    |    |    |    |    |    |    |    |    |      |    |
| 0215        | PROBE TR                           | 65153397    | TR      | ● | ● | ● | ● | ● | ● |   |   |   |    |    |    |    |    |    |    |    |    |      |    |
| 0216        | PROBE TE                           | 65153030    | TE      | ● | ● | ● | ● | ● | ● |   |   |   |    |    |    |    |    |    |    |    |    |      |    |
| 0217        | PROBE TO & TD                      | 65153029    | TO & TD | ● | ● | ● | ● | ● | ● |   |   |   |    |    |    |    |    |    |    |    |    |      |    |
| 0218        | PROBE TS                           | 65153028    | TS      | ● | ● | ● | ● | ● | ● |   |   |   |    |    |    |    |    |    |    |    |    |      |    |
| 0219        | PROBE TEO                          | 65153031    | TEO     | ● | ● | ● | ● | ● | ● |   |   |   |    |    |    |    |    |    |    |    |    |      |    |
| 0220        | REACTOR LE105-1325                 | 65153058    |         | ● | ● | ● | ● | ● | ● |   |   |   |    |    |    |    |    |    |    |    |    |      |    |
| 0221        | REACTOR R1250RJA                   | 65153101    |         | ● | ● | ● | ● | ● | ● |   |   |   |    |    |    |    |    |    |    |    |    |      |    |
| 0250        | CABLE (TDM BOARD/NTC PROBE)        | 65154734    |         | ● | ● | ● | ● | ● | ● |   |   |   |    |    |    |    |    |    |    |    |    |      |    |

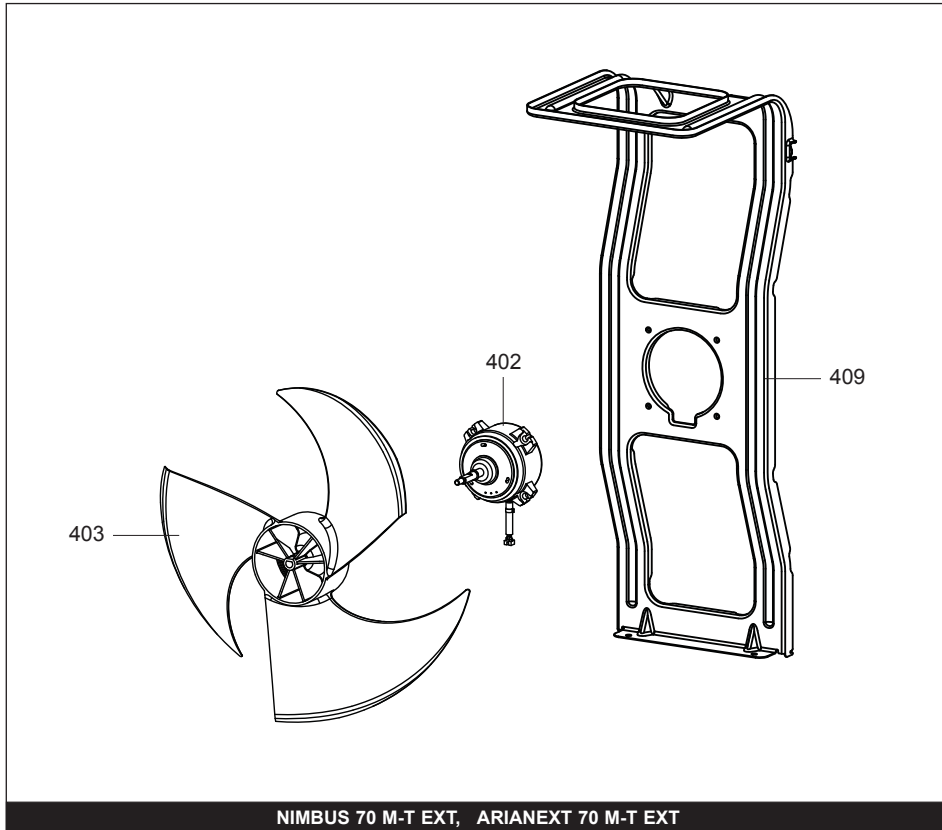


NIMBUS 70 M-T EXT, ARIANEXT 70 M-T EXT

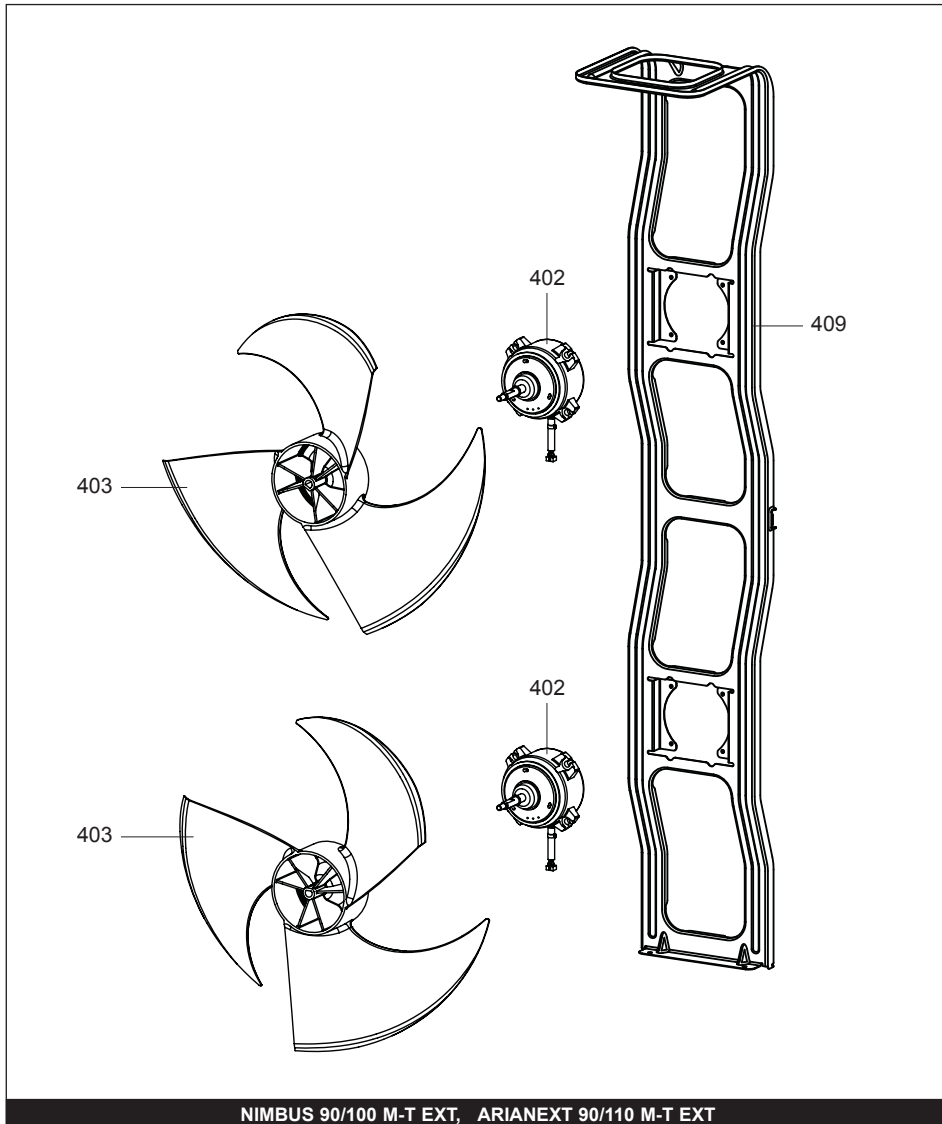


NIMBUS 90/110 M-T EXT, ARIANEXT 90/110 M-T EXT

| ☉⇒   | Description                    | Manf. Pt. N | Type |  |   |   |   |   |   |   |   |   |    |    |    |    |    |    |    |    |    |
|------|--------------------------------|-------------|------|---|---|---|---|---|---|---|---|---|----|----|----|----|----|----|----|----|----|
|      |                                |             |      | 1   | 2 | 3 | 4 | 5 | 6 | 7 | 8 | 9 | 10 | 11 | 12 | 13 | 14 | 15 | 16 | 17 | 18 |
| 0300 | <b>REFRIGERATION UNIT</b>      |             |      |   |   |   |   |   |   |   |   |   |    |    |    |    |    |    |    |    |    |
| 0301 | CABLE PUMP SPEED CONTROL (PWM) | 65118636    |      | •   | • | • | • | • | • |   |   |   |    |    |    |    |    |    |    |    |    |
| 0302 | LIQUID ACCUMULATOR             | 65153410    |      | •   | • |   |   |   |   |   |   |   |    |    |    |    |    |    |    |    |    |
|      | LIQUID ACCUMULATOR             | 65153418    |      |   |   | • | • | • | • |   |   |   |    |    |    |    |    |    |    |    |    |
| 0303 | COMPRESSOR ATF250 (GMCC)       | 65153049    |      | •   | • |   |   |   |   |   |   |   |    |    |    |    |    |    |    |    |    |
|      | COMPRESSOR ATQ360 (GMCC)       | 65153060    |      |   |   | • | • | • | • |   |   |   |    |    |    |    |    |    |    |    |    |
| 0304 | WIRING PUMP YONOS PARA         | 65118223    |      | •   | • | • | • | • | • |   |   |   |    |    |    |    |    |    |    |    |    |
| 0305 | CLIP D10                       | 65104260    |      | •   | • | • | • | • | • |   |   |   |    |    |    |    |    |    |    |    |    |
| 0309 | 4-WAY VALVE LINE ASSY          | 65153405    |      | •   | • |   |   |   |   |   |   |   |    |    |    |    |    |    |    |    |    |
|      | 4-WAY VALVE LINE ASSY          | 65153413    |      |   |   | • | • | • | • |   |   |   |    |    |    |    |    |    |    |    |    |
| 0310 | 4-WAY VALVE COIL               | 65101547    |      | •   | • | • | • | • | • |   |   |   |    |    |    |    |    |    |    |    |    |
| 0311 | 4-WAY VALVE STF-04             | 65073632    |      |   |   | • | • | • | • |   |   |   |    |    |    |    |    |    |    |    |    |
|      | 4-WAY VALVE WITH COIL          | 65073701    |      | •   | • |   |   |   |   |   |   |   |    |    |    |    |    |    |    |    |    |
| 0312 | ELECTRONIC EXPANSION VALVE     | 65153048    |      | •   | • |   |   |   |   |   |   |   |    |    |    |    |    |    |    |    |    |
|      | ELECTRONIC EXPANSION VALVE     | 65153059    |      |   |   | • | • | • | • |   |   |   |    |    |    |    |    |    |    |    |    |
| 0313 | PRESSURE RELIEF VALVE (3 BAR)  | 61312668    |      | •   | • | • | • | • | • |   |   |   |    |    |    |    |    |    |    |    |    |
| 0314 | AUTO AIR VENT WITH O-RING      | 65117054    |      | •   | • | • | • | • | • |   |   |   |    |    |    |    |    |    |    |    |    |
| 0315 | PUMP                           | 65153435    |      | •   | • |   |   | • | • |   |   |   |    |    |    |    |    |    |    |    |    |
| 0316 | PLATE HEAT-EXCHANGER           | 65153407    |      | •   | • |   |   |   |   |   |   |   |    |    |    |    |    |    |    |    |    |
|      | PLATE HEAT-EXCHANGER           | 65153415    |      |   |   | • | • | • | • |   |   |   |    |    |    |    |    |    |    |    |    |
| 0318 | ELECTROVALVE COIL              | 65153035    |      | •   | • | • | • | • | • |   |   |   |    |    |    |    |    |    |    |    |    |
| 0319 | FLOW SWITCH                    | 65119093    |      | •   | • | • | • | • | • |   |   |   |    |    |    |    |    |    |    |    |    |
| 0320 | FLOW SWITCH WIRE               | 65153946    |      | •   | • | • | • | • | • |   |   |   |    |    |    |    |    |    |    |    |    |
| 0321 | LIQUID RECEIVER                | 65153057    |      | •   | • |   |   |   |   |   |   |   |    |    |    |    |    |    |    |    |    |
|      | LIQUID RECEIVER                | 65153068    |      |   |   | • | • | • | • |   |   |   |    |    |    |    |    |    |    |    |    |
| 0325 | PROBE LWT                      | 65153396    |      | •   | • | • | • | • | • |   |   |   |    |    |    |    |    |    |    |    |    |
| 0327 | PROBE EWT                      | 65153398    |      | •   | • | • | • | • | • |   |   |   |    |    |    |    |    |    |    |    |    |
| 0330 | NIPPLE (BRASS)                 | 65154646    |      | •   | • |   |   |   |   |   |   |   |    |    |    |    |    |    |    |    |    |
| 0370 | PUMP INLET PIPE                | 65154872S   |      | •   | • |   |   |   |   |   |   |   |    |    |    |    |    |    |    |    |    |



NIMBUS 70 M-T EXT, ARIANEXT 70 M-T EXT



NIMBUS 90/100 M-T EXT, ARIANEXT 90/110 M-T EXT





---

## LIST OF THE ABBREVIATIONS

|             |  |
|-------------|--|
| HW .....    | : Hot water.                                   |
| CW .....    | : Cold water.                                  |
| C .....     | : Ceramic resistance (normal heating).         |
| Ca .....    | : Ceramic resistance (accelerated heating)     |
| TP .....    | : Immersion heater.                            |
| 1F .....    | : With fittings.                               |
| 2F .....    | : Without fittings.                            |
| 3F .....    | : With fittings and another outlet connection. |
| AMI .....   | : With mixing valve.                           |
| SMI .....   | : Without mixing valve.                        |
| PUISS ..... | : Power of th appliance.                       |
| PN .....    | : Appliance with normal pression.              |
| LP .....    | : Appliance with low pression.                 |
| PV .....    | : Appliance with variable power.               |
| PF .....    | : Appliance with fixed power.                  |

---

The indications mentioned on the prices, commercial or technical literature and the scheme are written for your guidance and are available at a given time. The CONSTRUCTOR retains the power to modify the presentation, the form, the size, or the conception or the material of the products.

---