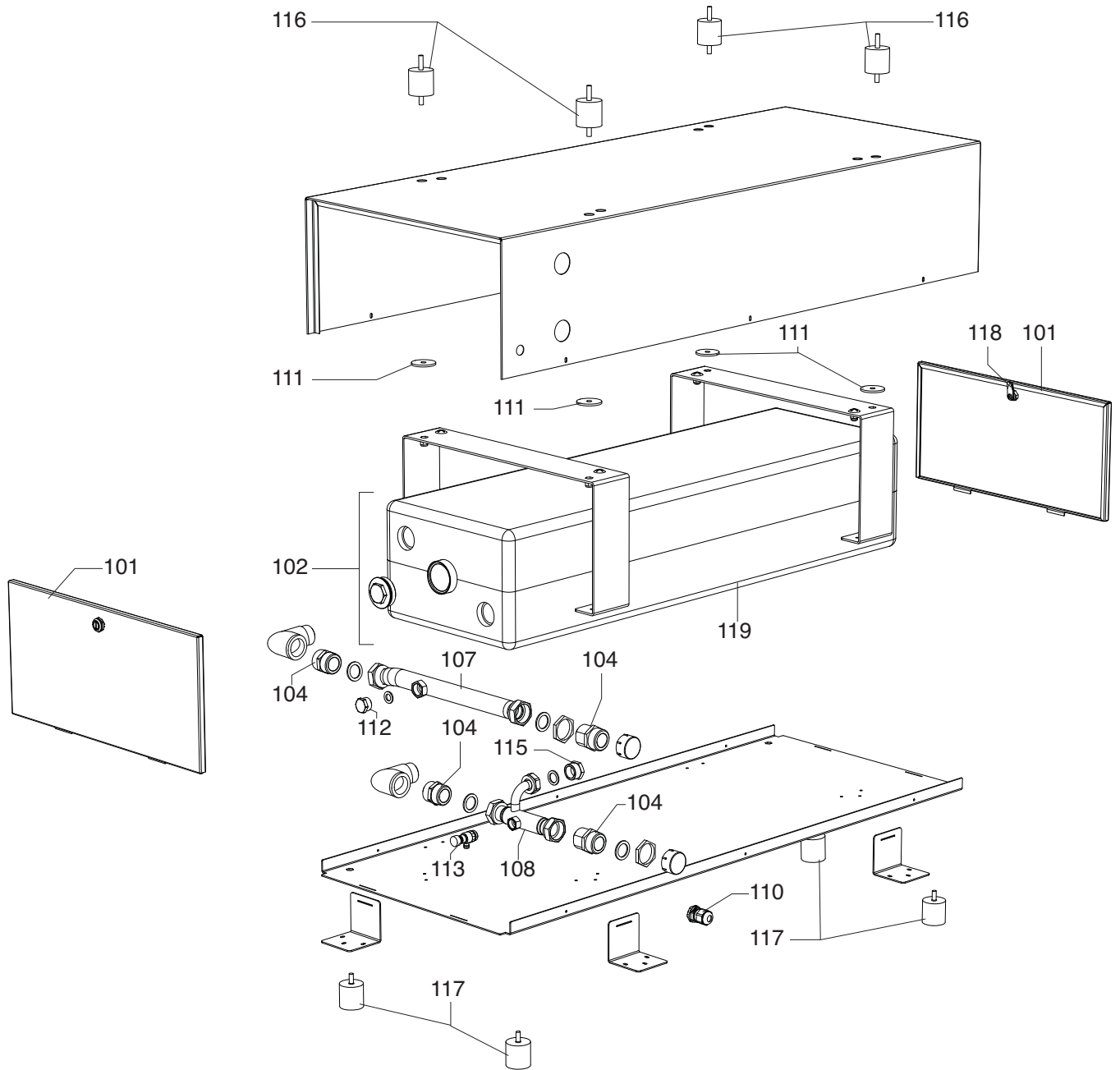


SPARE PARTS EXPLODED VIEW  
ACCESSORIES FOR HYDRAULIK  
Model  
**INERTIAL ACCUMULATIONS PCM 3.2**

R8217966-01 - 05/02/2018

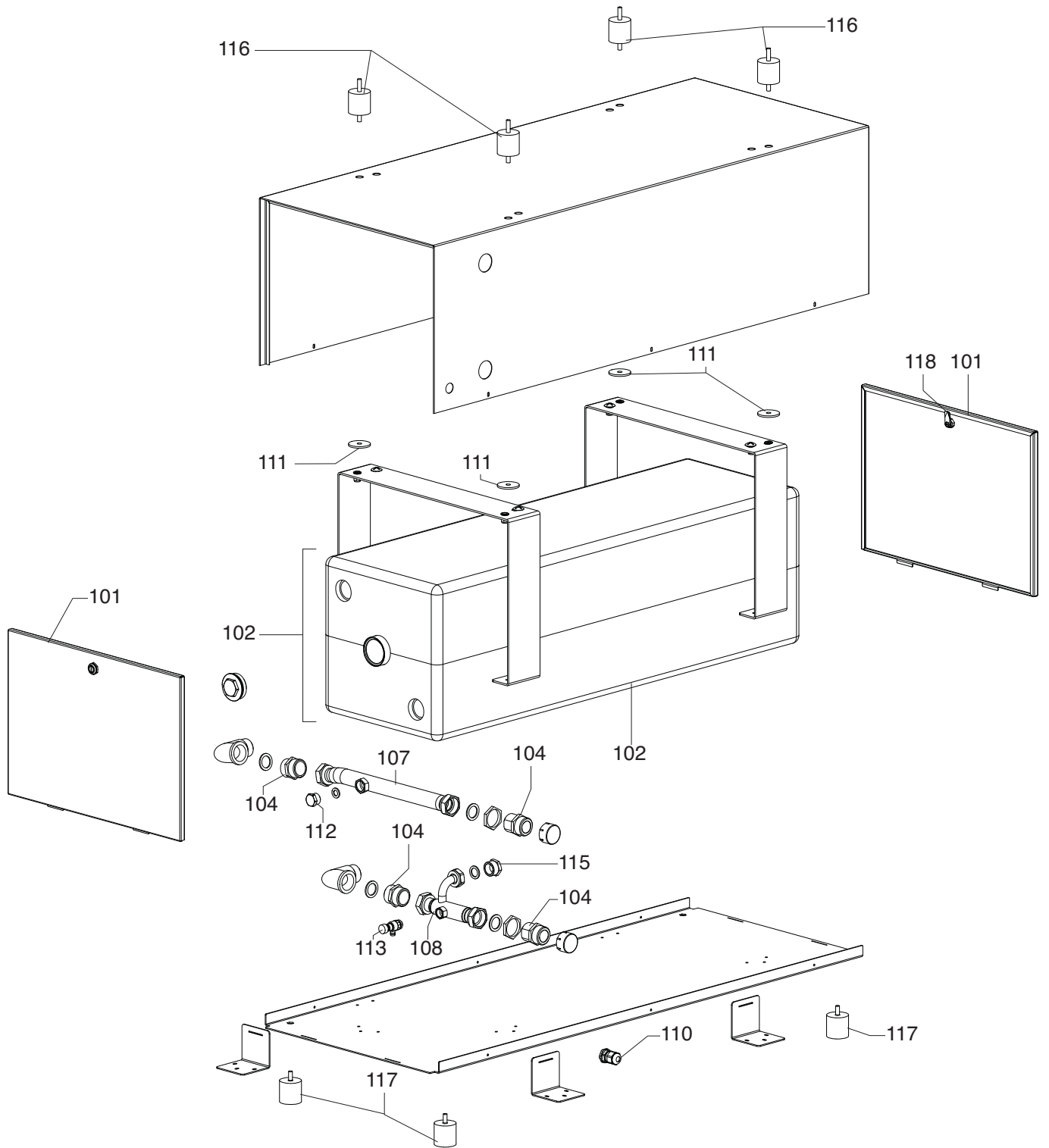
1	3060531	CKZ 30 HH	09-2017	-
2	3060532	CKZ 50 HH	09-2017	-
3	3078154	2 KW INTEGRATION HEATER	09-2017	-
4	3078155	EXPANSION VESSEL FOR CKZ HH	09-2017	-
Col	Reference	Model type	Begin	End



CKZ-30 HH  
 CKZ-50 HH  
 2MM INTEGR. HEATER  
 EXP.VESSEL CKZ-HH

0-0  
**31**

☉⇒	Description	Manf. Pt. N	Type																			From	to				
				1	2	3	4	5	6	7	8	9	10	11	12	13	14	15	16	17	18						
0100	<b>HOT WATER TANK</b>																										
0101	LATERAL CLOSING DOOR 30 LT + LOCK	65117119		●																							
0102	BOILER 30 LT + INSULATING	65117127		●																							
0104	HYDRAULIC FITTING NIPPLE Ø 1	65117122		●																							
0107	COPPER PIPE TOP Ø 28 X 1	65117121		●																							
0108	COPPER PIPE LOWER Ø 28 X 1	65117120		●																							
0110	GROMMET PG11	65117123		●																							
0111	PLATE SEAL IN NYLON 40 X 8.4	65117124		●																							
0112	CAP NICKEL-PLATED BRASS Ø 1/2	65117125		●																							
0113	WATER TAP Ø 3/8	65117126		●																							
0115	CAP NICKEL-PLATED BRASS Ø 3/4	65117128		●																							
0116	KIT ANTIVIB. FEET (4) M8X40 DOUBLE FIL.	65117440		●																							
0117	KIT ANTIVIBRATION FEET (4) M8X40	65117441		●																							
0118	LEVER CLOSURE DOOR	65117469		●																							
0119	INSULATING SHELL 30 LT IN POLYETHYLENE	65117468		●																							

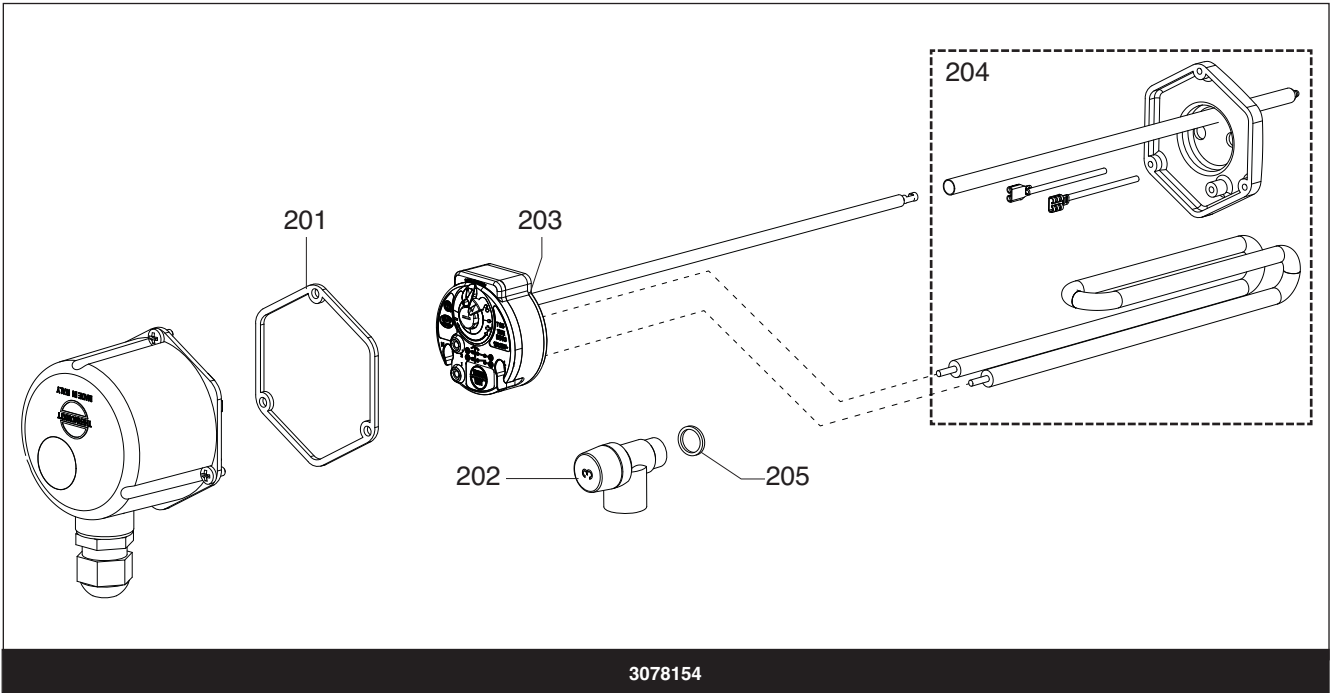


CXZ 30 HH  
CXZ 50 HH  
2MM INTEGR. HEATER  
EXP. VESSEL CXZ HH

☉	Description	Manf. Pt. N	Type	0-0																			
				31																			
				1	2	3	4	5	6	7	8	9	10	11	12	13	14	15	16	17	18	From	to

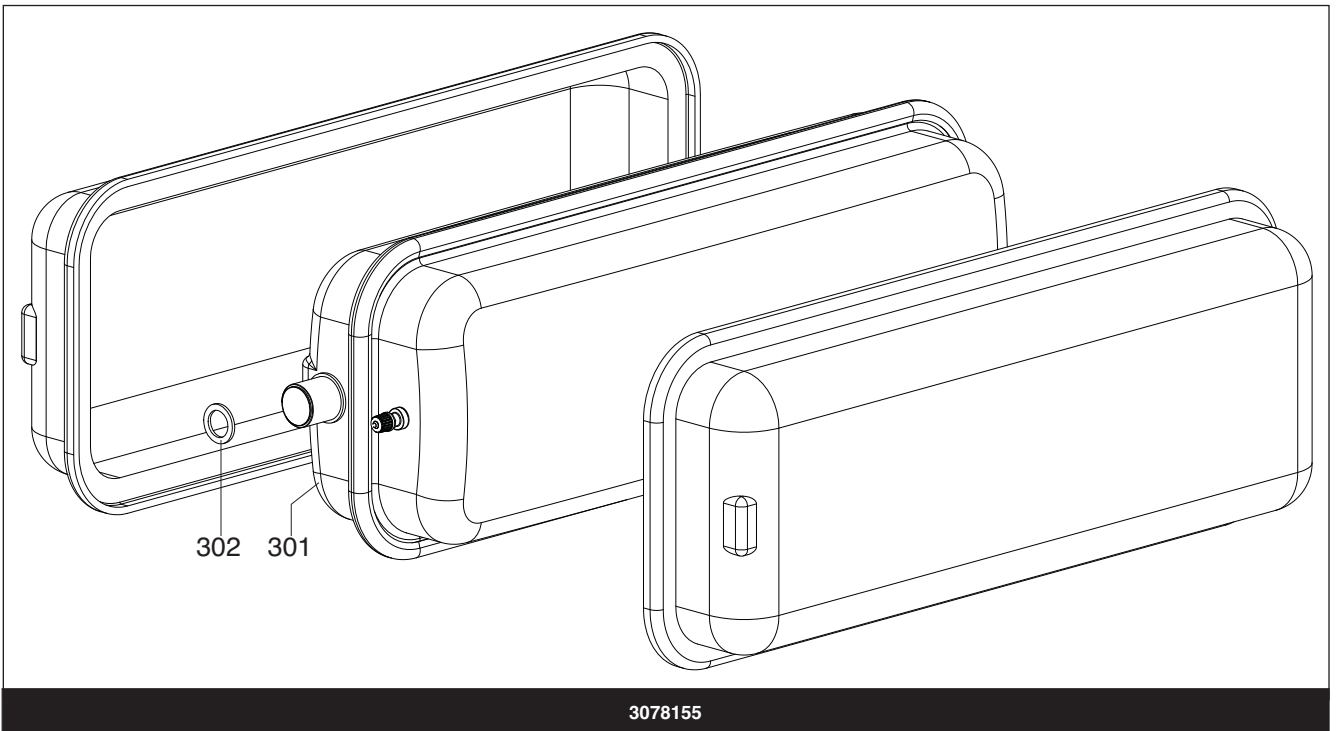
0100	HOT WATER TANK																							
0101	LATERAL LOCKING DOOR 50 LT + LOCK	65117129		●																				
0102	BOILER 50 LT + INSULATING	65117130		●																				
0104	HYDRAULIC FITTING NIPPLE Ø 1	65117122		●																				
0107	COPPER PIPE TOP Ø 28 X 1	65117121		●																				
0108	COPPER PIPE LOWER Ø 28 X 1	65117120		●																				
0110	GROMMET PG11	65117123		●																				
0111	PLATE SEAL IN NYLON 40 X 8.4	65117124		●																				
0112	CAP NICKEL-PLATED BRASS Ø 1/2	65117125		●																				
0113	WATER TAP Ø 3/8	65117126		●																				
0115	CAP NICKEL-PLATED BRASS Ø 3/4	65117128		●																				
0116	KIT ANTIVIB. FEET (4) M8X40 DOUBLE FIL.	65117440		●																				
0117	KIT ANTIVIBRATION FEET (4) M8X40	65117441		●																				
0118	LEVER CLOSURE DOOR	65117469		●																				
0119	INSULATING SHELL 50 LT IN POLYETHYLENE	65117467		●																				

200



3078154

300



3078155



---

## LIST OF THE ABBREVIATIONS

HW .....	: Hot water.
CW .....	: Cold water.
C .....	: Ceramic resistance (normal heating).
Ca .....	: Ceramic resistance (accelerated heating)
TP .....	: Immersion heater.
1F .....	: With fittings.
2F .....	: Without fittings.
3F .....	: With fittings and another outlet connection.
AMI .....	: With mixing valve.
SMI .....	: Without mixing valve.
PUISS .....	: Power of th appliance.
PN .....	: Appliance with normal pression.
LP .....	: Appliance with low pression.
PV .....	: Appliance with variable power.
PF .....	: Appliance with fixed power.

---

The indications mentioned on the prices, commercial or technical literature and the scheme are written for your guidance and are available at a given time. The CONSTRUCTOR retains the power to modify the presentation, the form, the size, the conception or the material of the products.

---