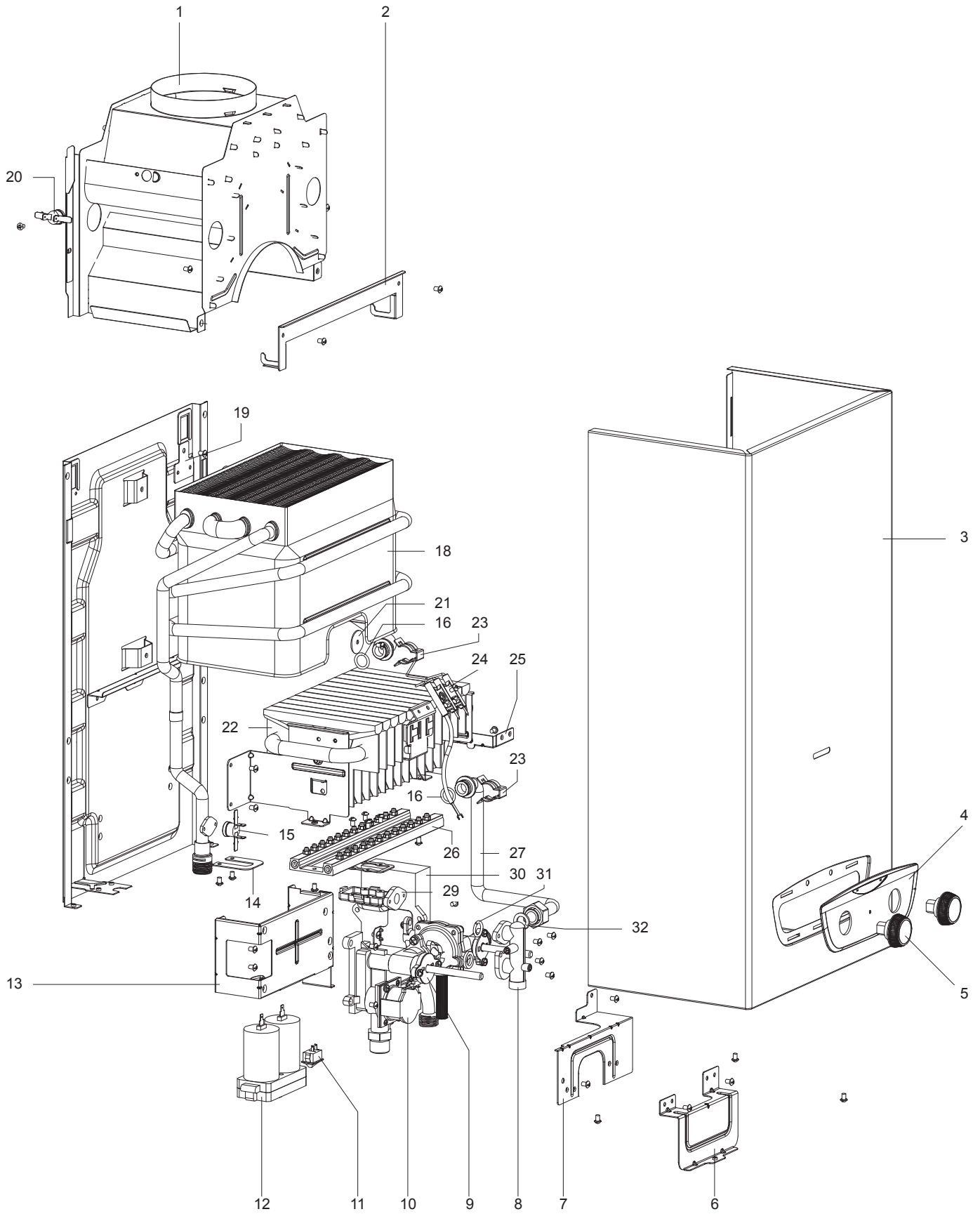


SPARE PARTS EXPLODED VIEW
INSTANTANEOUS GAS WATER HEATERS
Model
BRD LNX ONM

R8218121-01 - 15/06/2018

1	3632416	BRD LNX ONM 11 NG EU	07-2018	-
2	3632417	BRD LNX ONM 11 LPG EU	07-2018	-
3	3632418	BRD LNX ONM 14 NG EU	07-2018	-
4	3632419	BRD LNX ONM 14 LPG EU	07-2018	-
Col	Reference	Model type	Begin	End



☉→	Description	Manf. Pt. N	Type																								
				11 NG	11 LPG	14 NG	14 LPG	1	2	3	4	5	6	7	8	9	10	11	12	13	14	15	16	17	18	From	to
0001	FLUE HOOD 14L	65152066				•	•																				
	FLUE HOOD 14L	65153775		•	•																						
0002	FIXING BRACKET (HOOD, 11L)	65152084		•	•																						
	FIXING BRACKET (HOOD, 14L)	65152089					•	•																			
0003	FRONT COVER (CHX)	65153756		•	•																						
	FRONT COVER (CHX)	65153758					•	•																			
0004	PLASTIC PANEL /CHX/BRD ONM	65153129		•	•	•	•	•																			
0005	KNOB /CHX/ BRD ONM	65153127		•	•	•	•	•																			
0006	SUPPORT 2 (FRONT COVER)	65153754		•	•	•	•	•																			
0007	SUPPORT 1 (FRONT COVER)	65153752		•	•	•	•	•																			
0008	GAS CONNECTOR 2	65153753		•	•	•	•	•																			
0009	GAS VALVE MEC 14 GAS/WATER	65153119					•	•																			
	GAS WATER VALVE LPG /FAST R ONM 11	65153134					•	•																			
	GAS WATER VALVE NG /FAST R ONM 11	65153133		•	•																						
	GAS-WATER VALVE (LPG-14L)	65153120											•	•													
0010	SUPPORT (L)	65153111		•	•	•	•	•																			
0011	SWITCH	65153751		•	•	•	•	•																			
0012	BATTERY BOX	65153110		•	•	•	•	•																			
0013	BRACKET (WATER GAS VALVE)	65153750		•	•	•	•	•																			
0014	BRACKET (PIPE, OUTLET)	65152081		•	•	•	•	•																			
0015	OVERHEAT THERMOSTAT 85°C	65152049		•	•	•	•	•																			
0016	O-RING 12.3X2.4	60024164-47		•	•	•	•	•																			
0018	HEAT EXCHANGER	65153748		•	•																						
	HEAT EXCHANGER	65153749					•	•																			
0019	BRACKET (EXCHANGER)	65152083		•	•	•	•	•																			
0020	OVERHEAT THERMOSTAT 140°C	65152715		•	•	•	•	•																			
0021	WASHER	65152050		•	•	•	•	•																			
0022	BURNER	65153746		•	•																						
	BURNER	65153747					•	•																			
0023	CLIP	65153745		•	•	•	•	•																			
0024	IGNITION PIN	65153744		•	•	•	•	•																			
0025	BURNER BRACKET	65153743		•	•	•	•	•																			
0026	MANIFOLD (LPG-G31)	65153742											•	•													
	MANIFOLD (NG-G20)	65153741										•	•														
	MANIFOLD(LPG)	65153740					•	•																			
	MANIFOLD(NG-G20)	65153739		•	•																						
0027	WATER CONNECT PIPE	65153737		•	•																						
	WATER CONNECT PIPE	65153738											•	•													
0028	SEALING PLATE	65153736		•	•	•	•	•																			
0029	GAS CONNECTOR1	65153735		•	•	•	•	•																			
0030	P.C.B	65153734		•	•	•	•	•																			
0031	O-RING	65152055		•	•	•	•	•																			
0032	GASKET 1/2" (25)	573528		•	•	•	•	•																			

LIST OF THE ABBREVIATIONS

HW	: Hot water.
CW	: Cold water.
C	: Ceramic resistance (normal heating).
Ca	: Ceramic resistance (accelerated heating)
TP	: Immersion heater.
1F	: With fittings.
2F	: Without fittings.
3F	: With fittings and another outlet connection.
AMI	: With mixing valve.
SMI	: Without mixing valve.
PUISS	: Power of th appliance.
PN	: Appliance with normal pression.
LP	: Appliance with low pression.
PV	: Appliance with variable power.
PF	: Appliance with fixed power.

IDENTIFICATION PLATE

SERIAL NUMBER

6 Characters :
 Year of manufacture _____ 03 09 08 _____ Manufacturing day
 Month of manufacture

9 Characters :
 Year of manufacture _____ M 12 10 0606 _____ Sequential number
 Month of manufacture

14 Characters :
 SI-V-0B0 45 07 0001
 Sequential number
 Year of manufacture : _____ 6 → 2004
 Month of manufacture : → 25 → January 43 → July 7 → 2005
 13 → February 29 → August 8 → 2006
 32 → March 40 → September etc ...
 35 → April 38 → October
 39 → May 51 → November
 45 → June 12 → December

15 Characters :
 Year of manufacture _____ 02 11 00001 007843 _____ Code appareil
 Month of manufacture _____ Sequential number

21 Characters :
 Product reference _____ 3200050 XX 08115 0000001 _____ Sequential number
 Year (08) / Manufacturing day (115)

22 Characters :
 Product reference _____ 3200050 XX 070115 0000001 _____ Sequential number
 Year (07) / Month (01) / Manufacturing day (15)