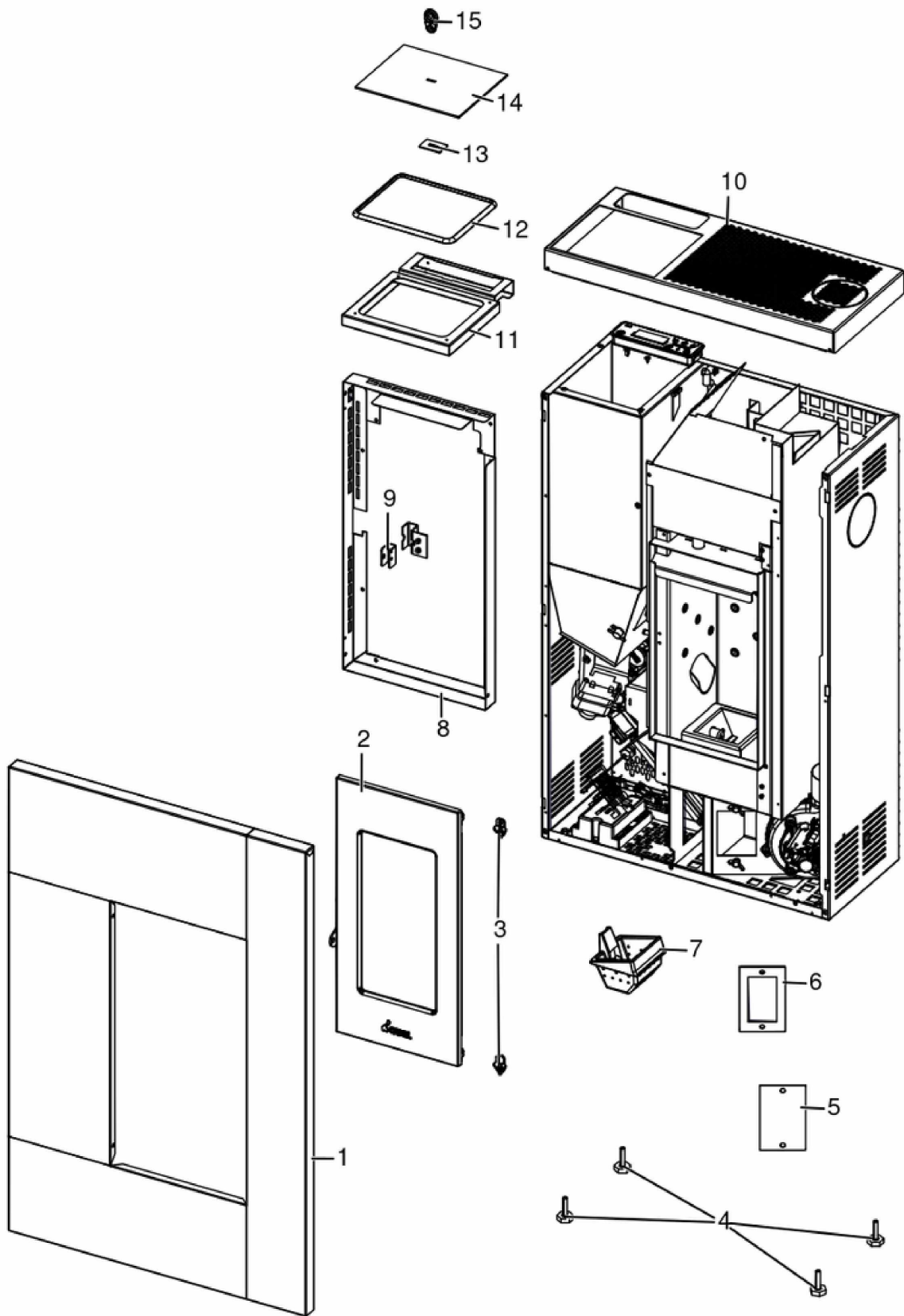


## SPIRIT3 - 5KW WIFI

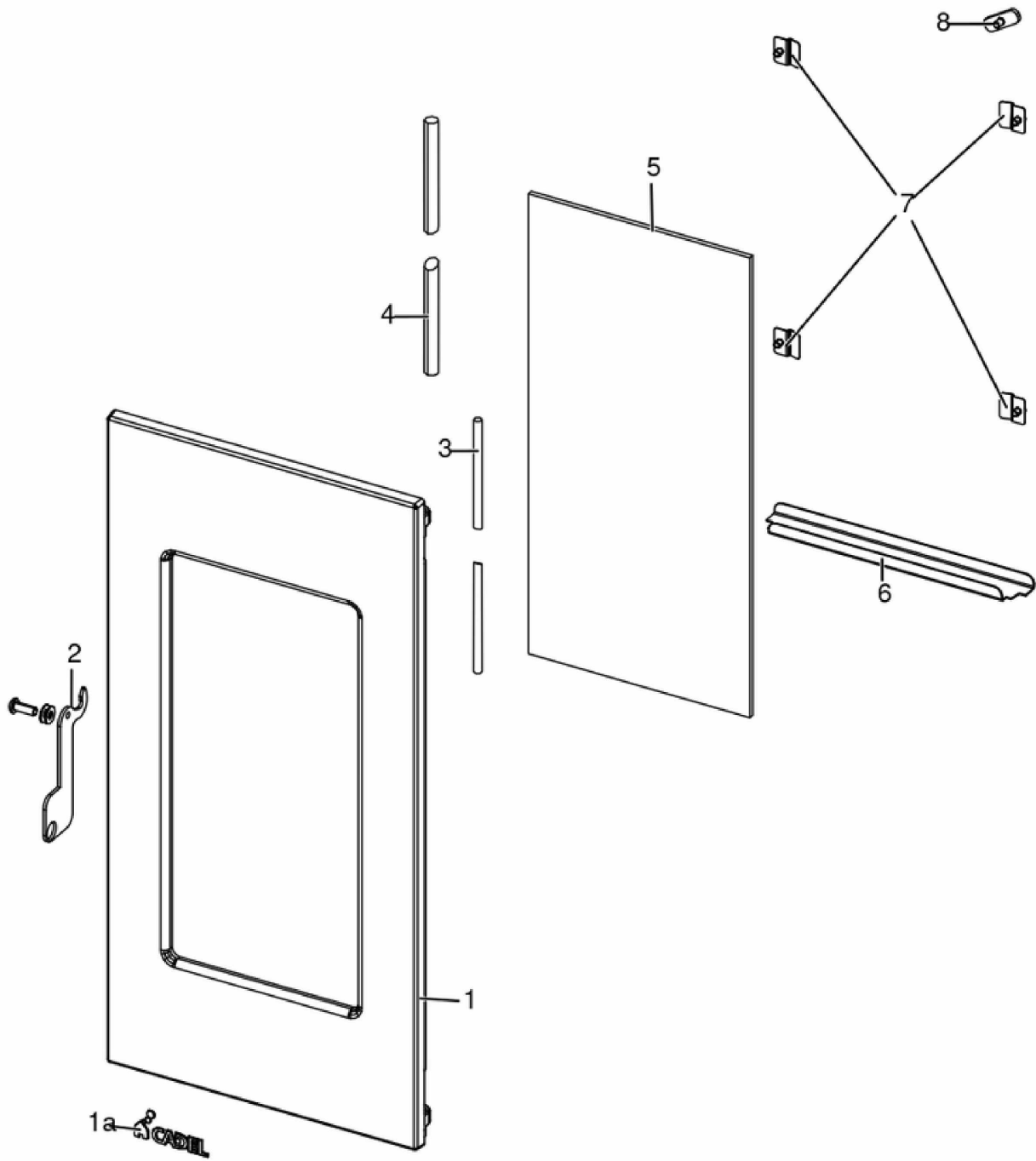
Gruppo estetico / Aesthetic group / Ästhetische Gruppe / Groupe esthétique / Grupo estético



N°	Codice/Code	Descrizioni / Description / Beschreibung / Description / Descripción	Prezzo (€)
1	4D24019446391	Pannello frontale rosso / Front red panel / Paneel Rot vorne / Panneau frontal rouge / Panel frontal rojo	138.00
1	4D24019446396	Pannello frontale bianco / Front white panel / Paneel Weiss vorne / Panneau frontal blanc / Panel frontal blanco	138.00
1	4D24019446340	Pannello frontale antracite / Front Anthracite panel / Paneel Anthrazit vorne / Panneau frontal Anthracite / Panel frontal antracita	138.00
2	4D245GP19001	Porta / Door / Tür / Porte / Puerta	185.00
3	41201504460	Cerniera porta (2 pz.) / Door hinge (2 pc.) / Tür Scharnier (2 Stk.) / Charnière porte (2 pc.) / Bisagra puerta (2)	24.00
3	41202007420	Kit 2 cerniere porta asolate / Kit of 2 slotted door hinges / Kit mit 2 geschlitzten Türscharnieren / Kit de 2 charnières de porte à fente / Kit de 2 bisagras ranuradas	26.00
4	4D120201020	Piedino (4 pz) / Feet (4 Pcs) / Füße (4 Stck) / Vérins (4 Pcs) / Pies (4 pz)	22.00
5	4D2401300111	Tappo ispezione vano fumi / Smoke compartment inspection plug / Inspektionskappe Rauchabzug / Clapet inspection compartiment fumées / Tapón inspección compartimento humos	21.00
6	4D18013001	Guarnizione 130x80 mm / Gasket 130x80 mm / Dichtung 130x80 mm / Joint 130x80 mm / Junta 130x80 mm	26.00
7	4D130158010	Braciere / Grate / Brennschale / Brasero / Brasero	54.00
8	4D24019450363	Profilo frontale porta nero / Black frontal door profile / Schwarze Türschutz vorne / Profil porte frontal noir / Perfil frontal puerta negro	74.00
9	4D240194285	Kit staffa maniglia / Handle brackets kit / Haltebügel Kit / kit d'etriers du poigné / kit abrazaderas de tirador	36.00
10	4D24019432363	Top / Top / Top / Top / Top	88.00
11	4D241194063	Supporto display / Display support / Stütze Steuerplatine / Support tableau de commande / Soporte pantalla	38.00
12	4D18013016	Guarnizione 155X190 mm / Gasket 155X190 mm / Dichtung 155x190 mm / Joint 155X190 mm / Junta 155X190 mm	34.00
13	4D241198071	Spessore maniglia / Handle buffer / Griff Ausgleichsscheibe / Epaisseur poignée / Espesor manija	22.00
14	4D24019442163	Coperchio serbatoio pellet / Pellet hopper cover / Deckel Pelletbehälter / Couvercle réservoir pellet / Tapadera depósito pellet	35.00
15	41801602200	Maniglia silconica / silicone handle / Silikongriff / Poignée de silicone / Tirador de silicona	17.00

## SPIRIT3 - 5KW WIFI

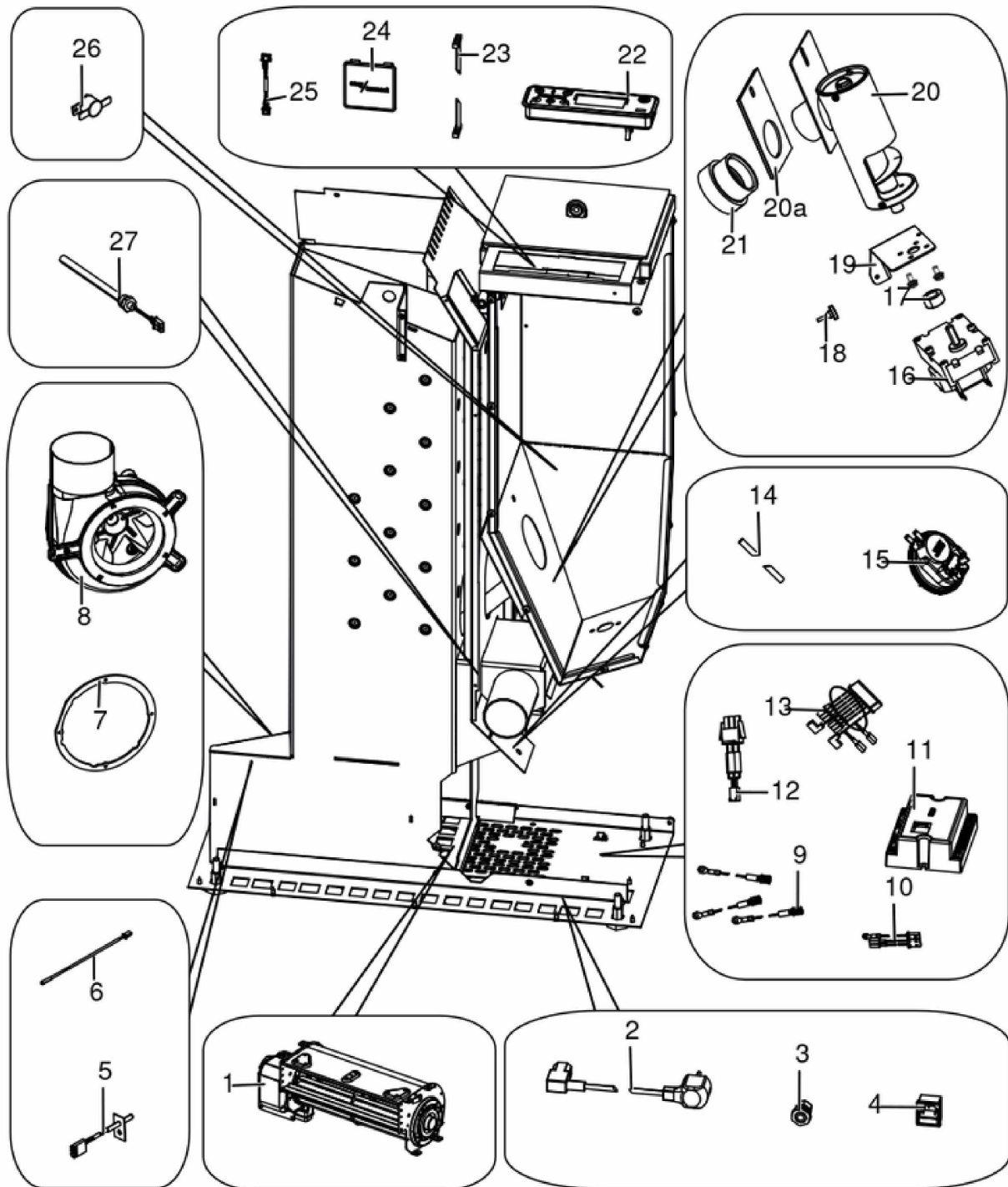
Porta fuoco / Fire door / Feuertür / Porte foyer / Puerta hogar



N°	Codice/Code	Descrizioni / Description / Beschreibung / Description / Descripcion	Prezzo (€)
1	4D13019402061	Porta piccola in ghisa / Small cast iron door / Kleine Tür aus Gusseisen / Petite porte en fonte / Pequeña puerta de hierro fundido	115.00
1a	4D12013039	Logo Cadel / Cadel logo / Cadel Logo / Cadel logo / Cadel logo	25.00
2	4D24015868161	Maniglia / Handle / Griff / Poignée / Tirador	26.00
3	4D18013034A	Guarnizione Tricotex D.6mm (5m) / Gasket Tricotex D.6mm (5m) / Dichtung Tricotex D.6mm (5m) / Joint Tricotex D.6mm (5m) / Junta Tricotex D.6mm (5m)	32.00
3	4D18013034B	Guarnizione Tricotex D.6mm (50m) / Gasket Tricotex D.6mm (50m) / Dichtung Tricotex D.6mm (50m) / Joint Tricotex D.6mm (50m) / Junta Tricotex D.6mm (50m)	106.00
4	4D18013021A	Guarnizione treccia nera D.10 - 5 M / Black twist gasket D.10 - 5 M / Dichtung D.10 - 5 M / Joint tresse noire D.10 - 5 M / Junta D.10 - 5 M	33.00
4	4D18013021B	Guarnizione treccia nera D.10 - 50 M / Black twist gasket D.10 - 50 M / Dichtung D.10 - 50 M / Joint tresse noire D.10 - 50 M / Junta D.10 - 50 M	144.00
5	4D170194010	Vetro ceramico / Ceramic glass / Glaskeramikscheibe / Vitre en céramique / Cristal cerámico	68.00
6	4D241194153	Raccogli cenere porta / Door ash holder / Tür- Aschensammeln / Collecteur de cendres porte / Recoger cenizas	23.00
7	4D2401317703	Fermavetro (pz.2) / Glass fastening brackets (pcs.2) / Haltebügel für Scheibenbefestigung (stk.2) / Etrier de fixation de la vitre (pcs.2) / Retendor del cristal (pz.2)	31.00
8	4D240157991	Asola porta / Door lock hole / Schleife für Türblockierung / Boucle de porte / Ojal de la puerta	23.00

## SPIRIT3 - 5KW WIFI

Gruppo elettrico e meccanico / Electrical and mechanical group / Elektrische und Mechanische Gruppe / Groupe électrique et mécanique / Grupo eléctrico y mecánico



N°	Codice/Code	Descrizioni / Description / Beschreibung / Description / Descripcion	Prezzo (€)
1	4D145198010	Ventilatore aria destro / Right air fan / Rechte Luftgebläse / Ventilateur air droite / Ventilador aire derecho	78.00
2	4D14513041	Cavo alimentazione / Power source cable / Zündungskabel / Câble alimentation / Cable alimentación	25.00
3	4D14513018	Pressacavo + cont. Dado / Cable holder / Kabelklemme / Presse-cable / Presionacable	20.00
4	4D14513084	Cavo con spina Shucko / Cable with Shucko plug / Kabel mit Schucko Steckdose / Cable avec fiche Shucko / Cable con enchufe Schucko	33.00
5	4D145194010	Sonda fumi / Smoke sensor / Rauchgasfühler / Sonde fumées / Sonda humos	31.00
6	4D145150100	Sonda ambiente / Room temperature sensor / Raumtemperaturfühler / Sonde température ambiance / Sonda ambiente	24.00
7	4D180204001	Guarnizione ventilatore fumi / Smoke ventilator gasket / Rauchmotordichtung / Joint de ventilateur des fumées / Junta ventilador de humos	28.00
8	4D145181100	Aspiratore fumi stagno / Air-tight smoke exhausted fan / Luftdich Rauchgasgebläse / Ventilateur fumées étanche / Ventilador humos hermético	97.00
9	4D14513022	Cavo massa 680 mm / Mass cable 680 mm / Masse Kabel 680 mm / Cable masse 680 mm / Cable masa 680 mm	20.00
9	4D145140110	Cavo massa 280 mm / Mass cable 280 mm / Masse Kabel 280 mm / Cable masse 280 mm / Cable masa 280 mm	14.00
9	4D14513060	Cavo massa 130 mm / Mass cable 130 mm / Masse Kabel 130 mm / Cable masse 130 mm / Cable masa 130 mm	19.00
10	4D145183040	Cablaggio 3 Pin completo / Complete wiring kit 3 Pin / Komplette Verkabelung 3 Pin / Câblage complet 3 Pin / Cableado completo 3 Pin	22.00
11	4D1452002300A	Scheda madre / Motherboard / Hauptplatine / Carte mère / Tarjeta madre	151.00
12	4D145194020	Cavo Encoder / Encoder cable / Encoder Kabel / Câble encoder / Cable encoder	23.00
13	4D145194040	Cablaggio 8 Pin completo / Complete wiring kit 8 Pin / Komplette Verkabelung 8 Pin / Câblage complet 8 Pin / Cableado completo 8 Pin	30.00
14	4120631A	Tubicino silicónico - 5m / Silicon tube - 5m / Silikonrohr - 5m / Petit tuyau en silicone - 5m / Tubo silicónico - 5m	22.00
15	4D145181110	Pressostato / Pressure switch / Druckwächter / Pressostat / Presostat	35.00
16	4D145181020	Motoriduttore 2 rpm / Reduction motor 2 rpm / Getriebemotor 2 rpm / Motorréducteur 2 rpm / Motorreductor 2 rpm	107.00
17	4120398	Connettore motoriduttore-coclea / Reduction motor-feed screw connector / Verbindung Getriebemotor-Schnecke / Connecteur motorréducteur-vis sans fin / Conector motorreductor-cóclea	22.00
18	4D120172010K	Kit 4 paracolpi / Kit 4 Bumpers / Kit 4 Schlagschutzgummi / Kit 4 pièces antichoc / Kit 4 anti-golpes	23.00
19	4D241198043	Staffa / Bracket / Haltebügel / Etrier / Abrazadera	22.00
20	4D140219014	Coclea corta alluminio 7 Kw / Short feed screw aluminum 7 Kw / Kurz Förderschnecke Aluminium 7 Kw / Vis sans fin courte aluminium 7 Kw / Cóclea corta aluminio 7 Kw	97.00
20a	41801902900	Guarnizione caricamento pellet / Pellet loading gasket / Dichtung Pelleteinfüllung / Joint de chargement pellet / Burlate carga pellet	16.00
21	41801702600	Disaccoppiatore coclea / Feed screw gasket / Dichtung Pelletrutsche / Joint vis sans fin / Desacoplador cóclea	18.00
22	4D1451303300	Pannello comandi grafico / Graphic control panel / Graphische Bedienblende / Tableau de commande / Panel de mandos gráfico	138.00
23	4D14513007	Cavo flat scheda-pannello / Flat cable motherboard-control panel / Flat Kabel Hauptplatine-Bedienblende / Câble flat carte mère-panneau commande / Cable flat tarjeta madre-panel de mandos	31.00
24	4D145201030	Modulo Wi-fi / Wi-fi module / Wi-Fi-Modul / Module Wi-fi / Módulo wifi	75.00
25	4D1452002500	Cavo flat 7 vie / Flat cable / Flat-Kabel / Cable flat / Cables flat	22.00
26	4D14513006	Termostato 60°C / Thermostat 60°C / Thermostat 60°C / Thermostat 60°C / Termostato 60°C	48.00
27	4D145181040	Candeletta / Sparkplug / Zündkerze / Bougie / Bujía	51.00