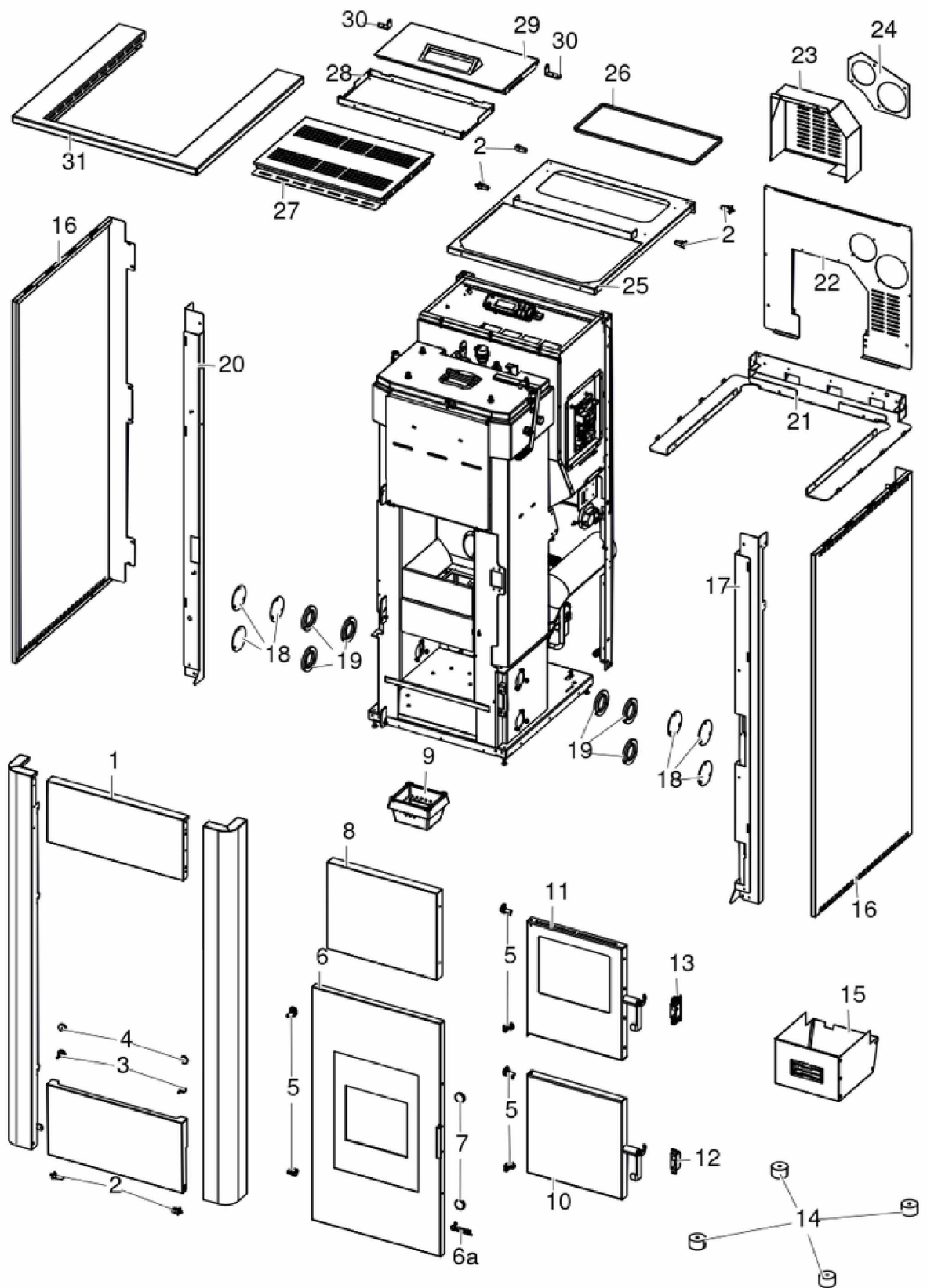


IDRO PRINCE 30 WIFI

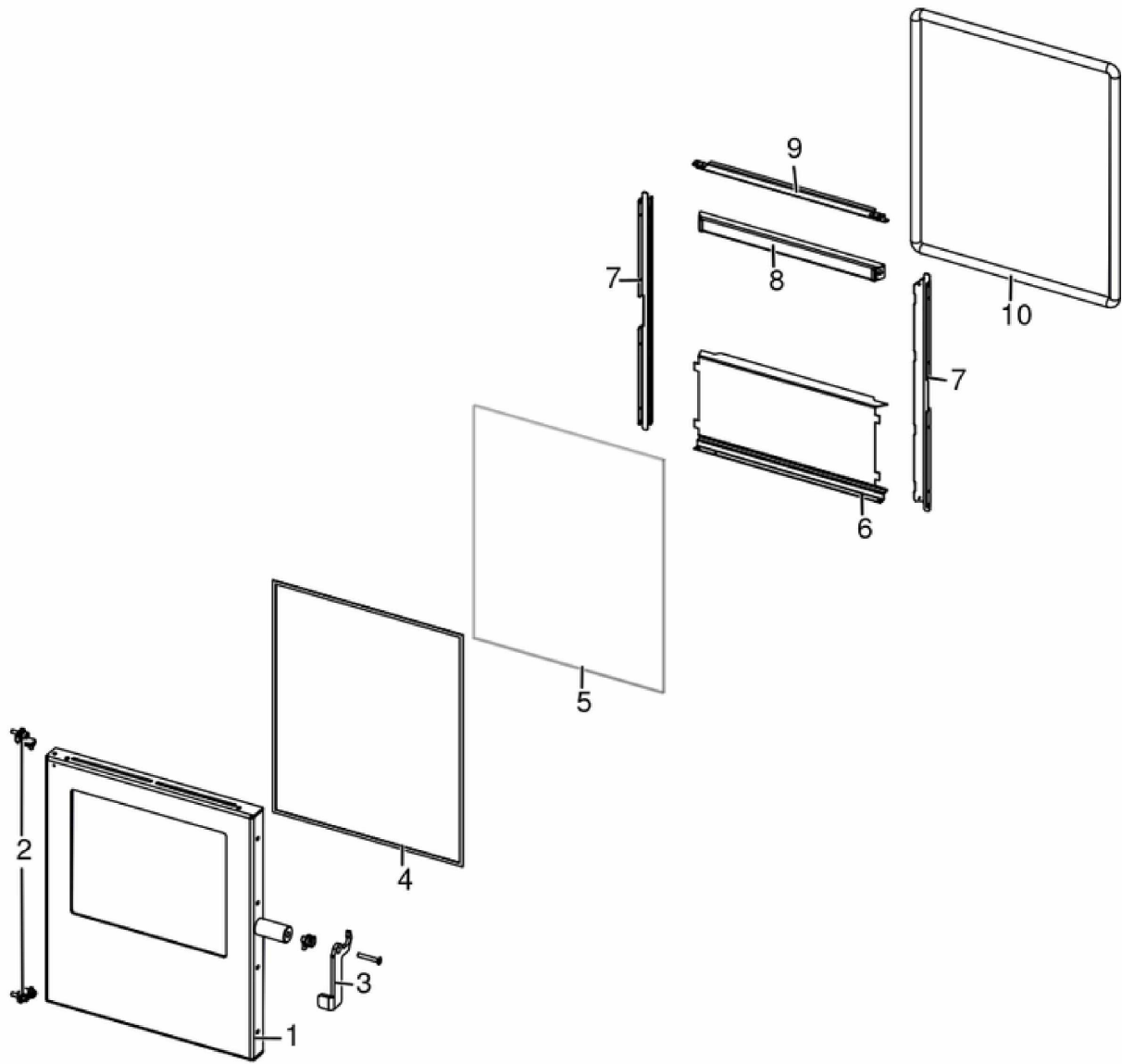
Gruppo estetico / Aesthetic group / Ästhetische Gruppe / Groupe esthétique / Grupo estético



| N° | Codice/Code | Descrizioni / Description / Beschreibung / Description / Descripcion | Prezzo (€) |
|----|---------------|--|------------|
| 1 | 6918018 | Rivestimento Rosso / Red cladding / Verkleidung Rot / Habillage Rouge / Revestimiento Rojo | 200.00 |
| 1 | 6918019 | Rivestimento Bianco / White cladding / Verkleidung Weiss / Habillage blanc / Revestimiento blanco | 200.00 |
| 2 | 4D14013054C | Cerniera a innesto (2 pz) / Hinge (2 pc) / Scharnier (2 Stck) / Charnière (2 pcs) / Bisagra (2 pzs) | 28.00 |
| 3 | 4D120165020 | Magnete 20x3 (pz.10) / 20x3 magnet (pcs.10) / 20x3 Magnet (Stk 10) / Aimant 20x3 (Pcs 10) / Imán 20x3 (Pz.10) | 52.00 |
| 4 | 4D120172010K | Kit 4 paracolpi / Kit 4 Bumpers / Kit 4 Schlagschutzgummi / Kit 4 pièces antichoc / Kit 4 anti-golpes | 23.00 |
| 5 | 412008063 | Cerniere porta fuoco (2 pz) / Fire door hinge (2pcs) / Scharnier Feuertür (2 Stck) / Charnière porte foyer (2 pcs) / Bisagra puerta del hogar (2 pz) | 27.00 |
| 6 | 4D1402110650 | Porta esterna completa / Complete external door / Komplette Außentür / Porte extérieure complète / Puerta exterior completa | 478.00 |
| 6a | 4D12013039 | Logo Cadel / Cadel logo / Cadel Logo / Cadel logo / Cadel logo | 25.00 |
| 7 | 41801001500 | Magnete / Magnet / Aimant / Magnet / Imán | 39.00 |
| 8 | 4D14118146300 | Pannello copri isolante / Insulating cover panel / Isolierende Abdeckplatte / Panneau de recouvrement isolant / Panel de cubierta aislante | 59.00 |
| 9 | 41301602200V | Braciere in ghisa / Cast iron brazier / Bernnschale aus Guß / Brasero en fonte / Brasero de arrabio | 71.00 |
| 10 | 41421804750 | Porta cenere completa / Ash drawer door / Tür des Aschenkastens / Porte tiroir à cendres / Puerta cajón ceniza | 260.00 |
| 11 | 437018108 | Porta fuoco completa / Complete fire door / Komplette Feuertür / Porte complète chambre combustion / Puerta hogar completa | 242.00 |
| 12 | 4140090284200 | Supporto chiusura porta / Door closing support / Türschließ Halterung / Support de fermeture de porte / Soporte de cierre de puerta | 60.00 |
| 13 | 41411599950 | Kit serratura ammortizzato / Pressur relief kit / Bausatz Überdruckablauf Brennkammer / Kit deocompression chambre comcusion / Kit decompression camara combustion | 46.00 |
| 14 | 41801400200 | Piedini di appoggio (4 pz.) / Support feet (4 pcs.) / Einstellfüße (4 Stck.) / Vérins d'appui (4 p.es) / Pies de apoyo (4 piezas) | 35.00 |
| 15 | 41401617540 | Cassetto cenere completo / Complete ash drawer / Kompletter Aschekasten / Tiroir à cendres complet / Cajón cenizas completo | 73.00 |
| 16 | 4D14118101300 | Fianco / Side / Seite / Côté / Lateral | 129.00 |
| 17 | 4D14118103300 | Montante anteriore DX / R. frontal vertical rod / Re. Vordere Montageleiste / Montant antérieur D. / Montante anterior DCHO | 191.00 |
| 18 | 4141164521000 | Tappo struttura / Structure plug / Strukturklappe / Clapet de la structure / Tapón estructura | 34.00 |
| 19 | 41801603700 | Guarnizione tappo struttura / Structure plug gasket / Dichtung der Strukturklappe / Joint clapet structure / Junta tapón estructura | 20.00 |
| 20 | 4D14118102300 | Montante anteriore Sx / L. frontal vertical rod / Li. Vordere Montageleiste / Montant antérieur G. / Montante anterior IZDO | 92.00 |
| 21 | 4D14118112300 | Basamento / Base / Basis / Base / Base | 99.00 |
| 22 | 41401814630 | Pannello inferiore / Lower panel / Unteres Paneel / Panneau inférieur / Panel inferior | 56.00 |
| 23 | 41401814830 | Coperchio posteriore / Rear cover / Hintere Deckel / Couvercle postérieur / Tapa posterior | 41.00 |
| 24 | 41401617010 | Flangia posteriore / Rear flange / Flansch hinten / Bride postérieure / Brida trasero | 26.00 |
| 25 | 4D14118106300 | Supporto Top / Top support / Deckelhaltebügel / Support du dessus / Soporte top | 68.00 |
| 26 | 4D180154010 | Guarnizione / Gasket / Dichtung / Joint / Junta | 32.00 |
| 27 | 4D14118110400 | Ispezione top / Inspection plug / Inspektionskappe / Clapet inspection / Tapón inspección | 96.00 |
| 28 | 4D14118109300 | Contro coperchio / Counter lid / Gegendeckel / Couvercle de comptoir / Tapa de mostrador | 54.00 |
| 29 | 4D14118842400 | Coperchio pellet / Pellet hopper cover / Deckel Pelletbehälter / Couvercle réservoir pellet / Tapadera depósito pellet | 109.00 |
| 30 | 4D1411685430P | Angolare supporto coperchio pellet / Angular pellet cover / Eckig Deckel / Angulaire couvercle Pellet / Angular tapa | 19.00 |
| 31 | 4D14118111400 | Top nero / Black TOP / Schwarze TOP / TOP noir / TOP negro | 122.00 |

IDRO PRINCE 30 WIFI

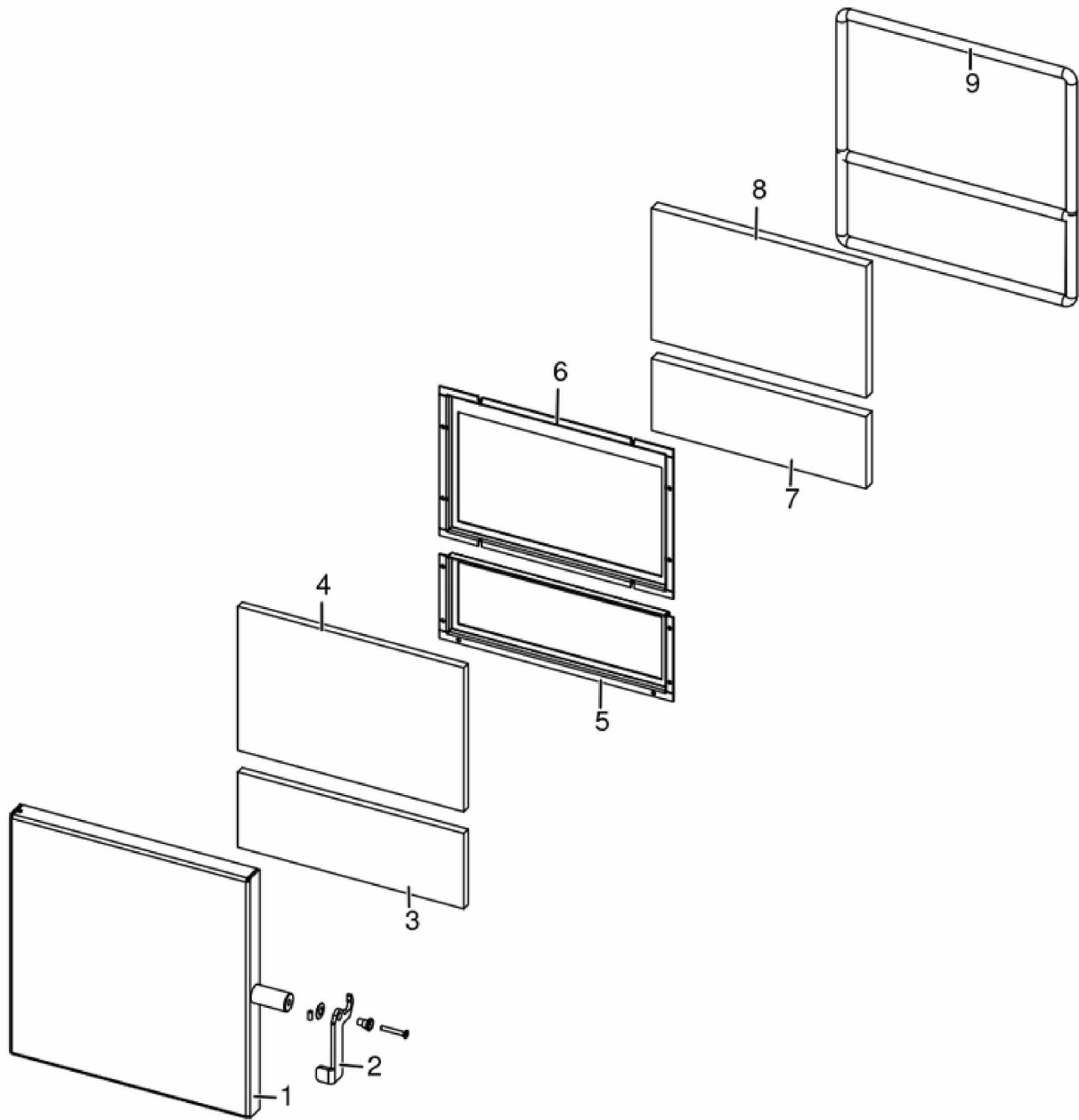
Porta fuoco / Fire door / Feuertür / Porte foyer / Puerta hogar



| N° | Codice/Code | Descrizioni / Description / Beschreibung / Description / Descripción | Prezzo (€) |
|----|---------------|--|------------|
| 1 | 4141185684000 | Telaio porta focolare / Black firebox door frame / Schwarzer Feuerraumtür Rahmen / Cadre de porte de foyer noir / Marco de puerta de hogar negro | 98.00 |
| 2 | 412008063 | Cerniere porta fuoco (2 pz) / Fire door hinge (2pcs) / Scharnier Feuertür (2 Stck) / Charnière porte foyer (2 pcs) / Bisagra puerta del hogar (2 pz) | 27.00 |
| 3 | 4141185893000 | Maniglia porta focolare / Fire door handle / Feuertür Griff / Poignée porte foyer / Tirador puerta fuego | 22.00 |
| 4 | 4120572A | Guarnizione a nastro 6 mm (5 mt.) per porta / Door strip gasket 6 mm (5 m) / Türbanddichtung 6 mm (5 m) / Joint ruban 6 mm (5 m) pour porte / Guarnición de cinta para puerta 6 mm (5 m) | 33.00 |
| 4 | 4120572B | Guarnizione a nastro 6 mm (50 mt.) per porta / Door strip gasket 6 mm (50 m) / Türbanddichtung 6 mm (50 m) / Joint ruban 6 mm (50 m) pour porte / Guarnición de cinta para puerta 6 mm (50 m) | 210.00 |
| 5 | 41701200100 | Vetroceramico / Glass / Glaskeramikscheibe / Vitrocéramique / Cristal cerámico | 205.00 |
| 6 | 4141185913100 | Fermavetro inferiore porta focolare / Lower glass fastening bracket for firebox door / Unteres Haltebügel für Scheibebefestigung Tür / Etrier de fixation vitre inférieur / Retenedor inferior del cristal | 22.00 |
| 7 | 4141189283000 | Fermavetro laterale / Lateral glass fastening bracket / Seitliche Haltebügel für Scheibenbefestigung / Ferme-vitre latéral / Retenedor lateral del cristal | 18.00 |
| 8 | 41401246931V | Kit deflettore / Door Deflector / Tür leitblech / Déflecteur de la porte / Deflector de la puerta | 41.00 |
| 9 | 4140124683100 | Fermavetro superiore / Upper glass fastening bracket for firebox door / Oberen Haltebügel für Scheibebefestigung Tür / Etrier de fixation vitre supérieur / Retenedor superior del cristal | 16.00 |
| 10 | 412007003A | Cordino fibro ceramica Ø 14 mm (5 m) / Ceramic fibre cord Ø 14 mm (5 m) / Keramikfaserschnur Ø 14 mm (5 m) / Cordon en fibre céramique Ø 14 mm (5 m) / Junta a cuerda de fibra cerámica Ø 14 mm (5 m) | 44.00 |
| 10 | 412007003B | Cordino fibroceramico Ø 14 (50MT) / Ceramic fibre cord Ø 14 mm (50 m.) / Keramikfaserschnur Ø 14 mm (50 m) / Cordon en fibre céramique Ø 14 mm (50 m) / Junta a cuerda de fibra cerámica Ø 14 mm (50 m) | 306.00 |
| 10 | 412007003C | Kit cementante + Cordino Ø 14 mm / Cementing kit + cord Ø 14 mm / Zementierungskit + Dichtung Ø 14 mm / Kit de cimentation + Joint Ø 14 mm / Kit de cementación + Junta Ø 14 mm | 70.00 |

IDRO PRINCE 30 WIFI

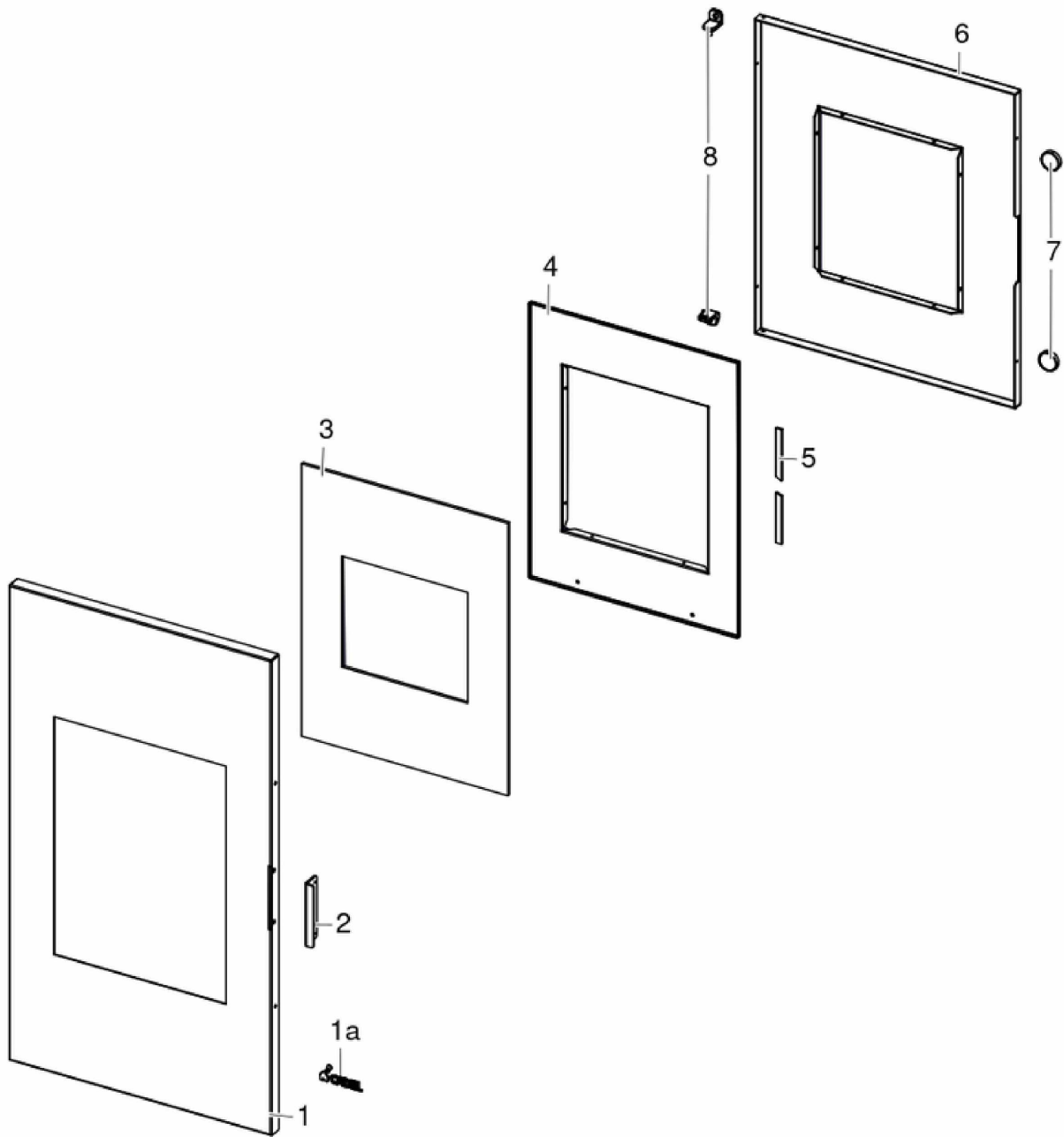
Porta cenere / Ash door / Ashentür / Porte cendre / Puerta ceniza



| N° | Codice/Code | Descrizioni / Description / Beschreibung / Description / Descripción | Prezzo (€) |
|----|---------------|--|------------|
| 1 | 4141164734000 | Porta cassetto cenere / Ash drawer door / Tür des Aschenkastens / Porte tiroir à cendres / Puerta cajón ceniza | 111.00 |
| 2 | 4141185893000 | Maniglia porta focolare / Fire door handle / Feuertür Griff / Poignée porte foyer / Tirador puerta fuego | 22.00 |
| 3 | 41151601500 | Isolante inferiore / Lower door insulation / Isolierung der untere Tür / Isolation de la porte inférieure / Aislamiento de la puerta inferior | 18.00 |
| 4 | 41151601400 | Isolante superiore / Upper door insulation / Isolierung der oberen Tür / Isolation de la porte supérieure / Aislamiento de la puerta superior | 24.00 |
| 5 | 4141164783000 | Pannello porta cenere / Ash drawer door panel / Paneel des Aschenkastentür / Panneau de porte tiroir à cendres / Panel de puerta de cajón ceniza | 20.00 |
| 6 | 4141164773000 | Pannello porta cenere / Ash drawer door panel / Paneel des Aschenkastentür / Panneau de porte tiroir à cendres / Panel de puerta de cajón ceniza | 26.00 |
| 7 | 41151600800 | Isolamento vano cenere inferiore / Lower ash compartment insulation / Isolationsmaterial des untere Aschefachs / Isolation du compartiment à cendres inférieur / Aislamiento del compartimento de cenizas inferior | 33.00 |
| 8 | 41151600700 | Isolamento vano cenere superiore / Upper ash compartment insulation / Isolationsmaterial des oberen Aschefachs / Isolation du compartiment à cendres supérieur / Aislamiento del compartimento de cenizas superior | 41.00 |
| 9 | 412007003A | Cordino fibro ceramica Ø 14 mm (5 m) / Ceramic fibre cord Ø 14 mm (5 m) / Keramikfaserschnur Ø 14 mm (5 m) / Cordon en fibre céramique Ø 14 mm (5 m) / Junta a cuerda de fibra cerámica Ø 14 mm (5 m) | 44.00 |
| 9 | 412007003B | Cordino fibroceramico Ø 14 (50MT) / Ceramic fibre cord Ø 14 mm (50 m.) / Keramikfaserschnur Ø 14 mm (50 m) / Cordon en fibre céramique Ø 14 mm (50 m) / Junta a cuerda de fibra cerámica Ø 14 mm (50 m) | 306.00 |
| 9 | 412007003C | Kit cementante + Cordino Ø 14 mm / Cementing kit + cord Ø 14 mm / Zementierungskit + Dichtung Ø 14 mm / Kit de cimentation + Joint Ø 14 mm / Kit de cementación + Junta Ø 14 mm | 70.00 |

IDRO PRINCE 30 WIFI

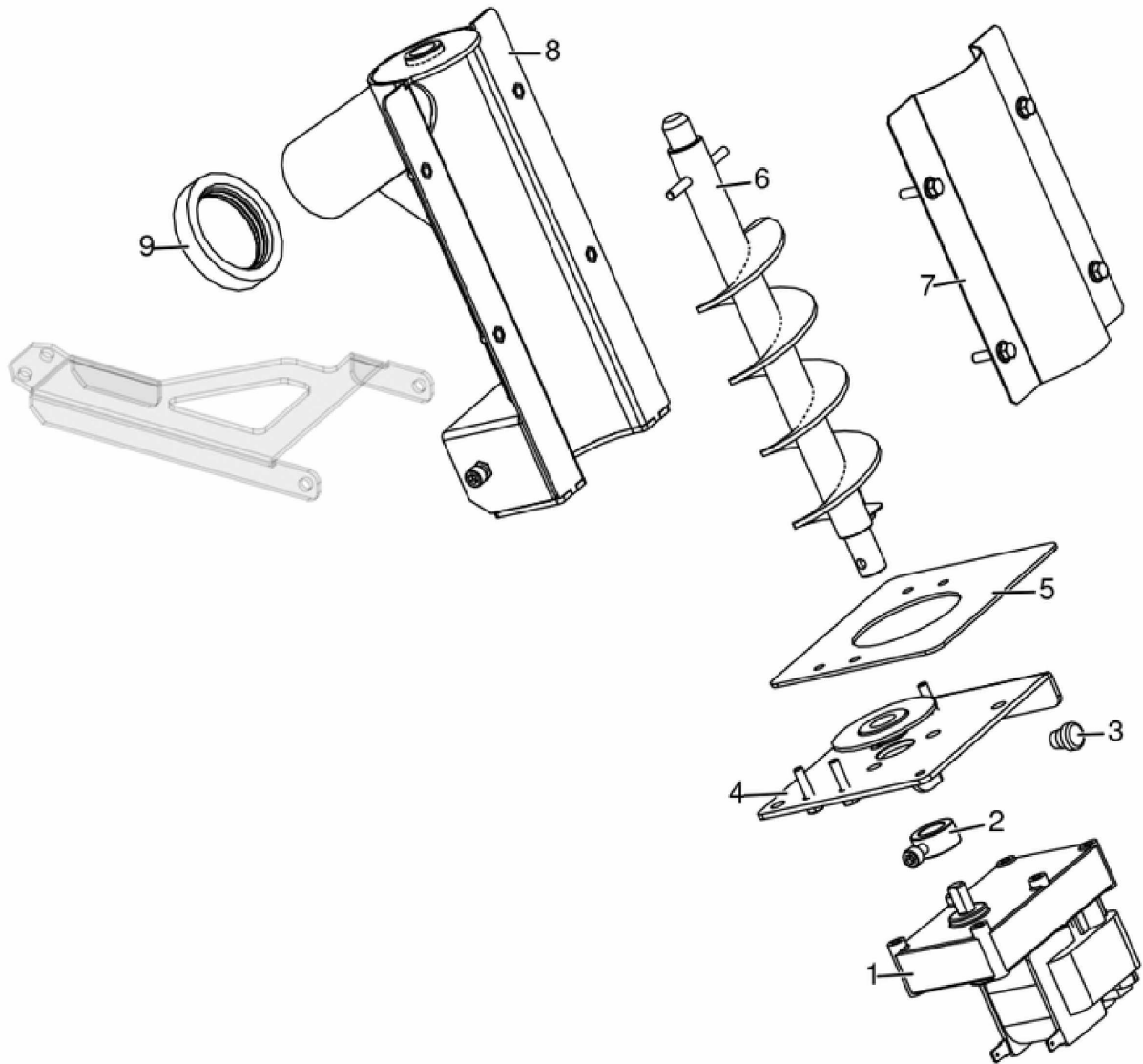
Porta esterna / External door / Aussenür / Porte extérieure / Puerta externa



| N° | Codice/Code | Descrizioni / Description / Beschreibung / Description / Descripción | Prezzo (€) |
|-----------|----------------------|--|---------------|
| 1 | 4D14118099400 | Telaio porta esterna / External door frame / Außentürrahmen / Cadre porte extérieure / Armazón puerta exterior | 92.00 |
| 1a | 4D12013039 | Logo Cadel / Cadel logo / Cadel Logo / Cadel logo / Cadel logo | 25.00 |
| 2 | 4D14118113400 | Maniglia porta esterna / External door handle / Außentür Griff / Poignée porte extérieur / Tirador puerta exterior | 0.00 |
| 3 | 4D1701800460 | Vetroceramico serigrafato / Screen printed glass / Siebdruckglaskeramikscheibe / Vitrocéramique avec sérigraphie / Vidrio cerámico con serigrafía | 145.00 |
| 4 | 4D14118100300 | Fermavetro / Glass fastening bracket / Haltebügel für Scheibebefestigung / Etrier de fixation vitrocéramique / Retendor del cristal | 0.00 |
| 5 | 4D18013008A | Guarnizione 10x3 (5m) / Gasket 10x3 (5m) / Dichtung 10x3 (5m) / Joint 10x3 (5m) / Junta 10x3 (5m) | 35.00 |
| 5 | 4D18013008C | Guarnizione 10x3 (100m) / Gasket 10x3 (100m) / Dichtung 10x3 (100m) / Joint 10x3 (100m) / Junta 10x3 (100m) | 287.00 |
| 6 | 4D14118107300 | Telaio porta / Door frame / Türrahmen / Cadre porte / Marco puerta | 0.00 |
| 7 | 41801001500 | Magnete / Magnet / Aimant / Magnet / Imán | 39.00 |
| 8 | 412008063 | Cerniere porta fuoco (2 pz) / Fire door hinge (2pcs) / Scharnier Feuertür (2 Stck) / Charnière porte foyer (2 pcs) / Bisagra puerta del hogar (2 pz) | 27.00 |

IDRO PRINCE 30 WIFI

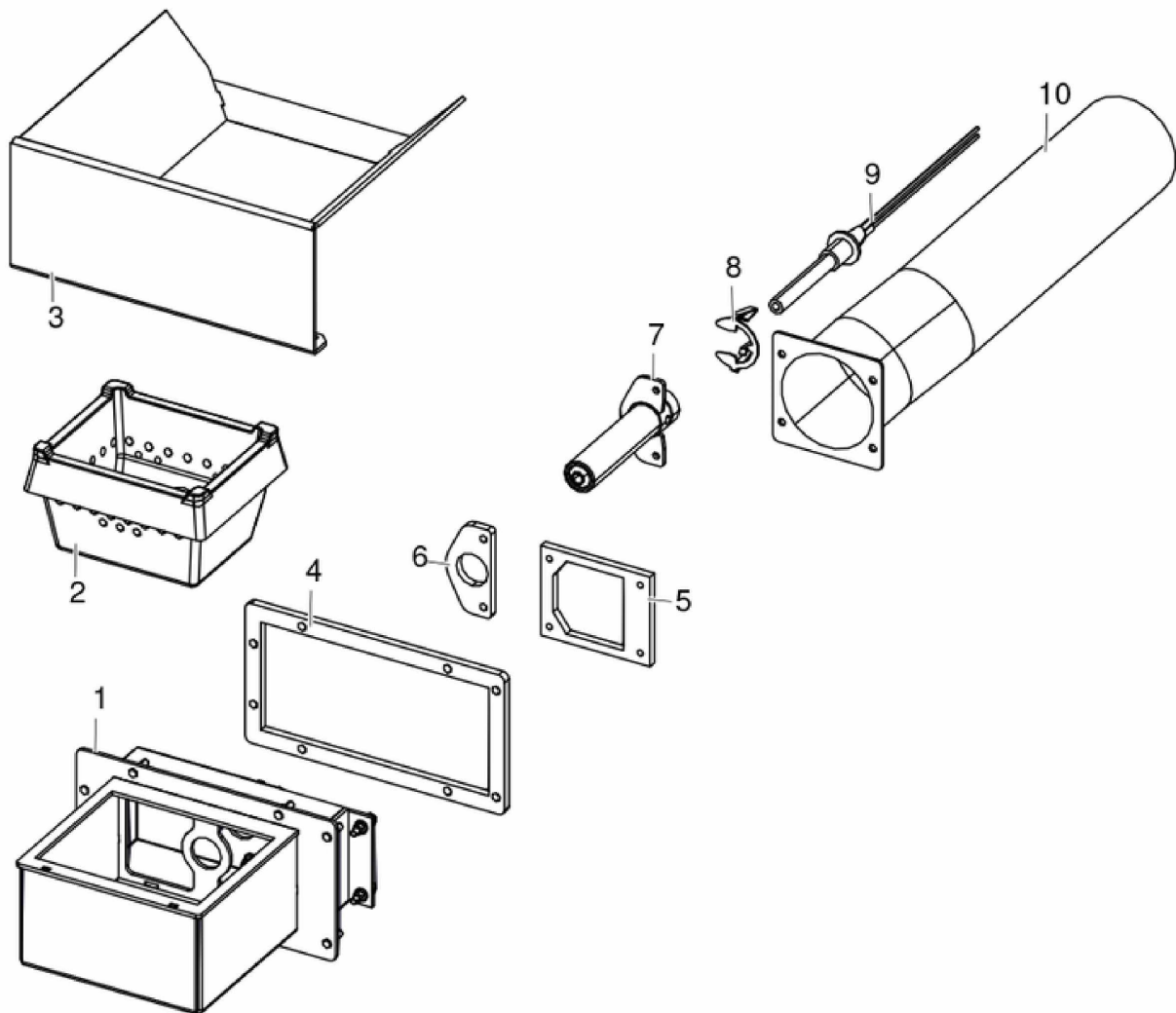
Gruppo caricamento pellet / Pellet feed group / Pellet Fördergruppe / Groupe chargement du pellet / Grupo de carga pellet



| N° | Codice/Code | Descrizioni / Description / Beschreibung / Description / Descripcion | Prezzo (€) |
|----|--------------|--|------------|
| 1 | 41451204900 | Motoriduttore / Gear motor / Getriebemotor / Motoréducteur / Motorreductor | 130.00 |
| 2 | 4120398 | Connettore motoriduttore-coclea / Reduction motor-feed screw connector / Verbindung Getriebemotor-Schnecke / Connecteur motoréducteur-vis sans fin / Conector motorreductor-cóclea | 22.00 |
| 3 | 4120180 | Gommino paracolpi (4PZ) / Rubber bumpers (4 pcs.) / Schlagschutzgummi (4 Stck) / Pièces caoutchouc antichoc (4 pcs) / Cauchitos anti-golpes (4 pz) | 21.00 |
| 4 | 41411688850 | Base coclea con boccola / Feed screw base with bush / Untergestell der Förderschnecke mit Buchse / Base de la vis sans fin avec douille / Base de la cóclea con abrazadera | 41.00 |
| 5 | 41400903310 | Flangia condotto coclea / Base of feed screw conduit / Untergestell Rohrleitung der Förderschnecke / Base du conduit de la vis sans fin / Base de conducto de la cóclea | 20.00 |
| 6 | 43640424 | Albero coclea / Feed screw / Förderschnecke / Vis sans fin / Cóclea | 51.00 |
| 7 | 41401227530 | Coperchio coclea / Feed screw cover / Deckel der Rohrleitung / Couvercle de la vis sans fin / Tapa de la cóclea | 38.00 |
| 8 | 41411650640V | Condotto alimentazione / Auger conduit / Rohrleitung der Förderschnecke / Conduit de la vis sans fin / Conducto de la cóclea | 90.00 |
| 9 | 41801501900 | Guarnizione silicone / Silicon gasket / Silikondichtung / Joint en silicone / Junta en silicóna | 20.00 |

IDRO PRINCE 30 WIFI

Gruppo accensione e aria comburente / Ignition and combustion air group / Entzündungs- und Verbrennungsluftgruppe / Groupe allumage et aire comburente / Grupo encendido y aire de combustion

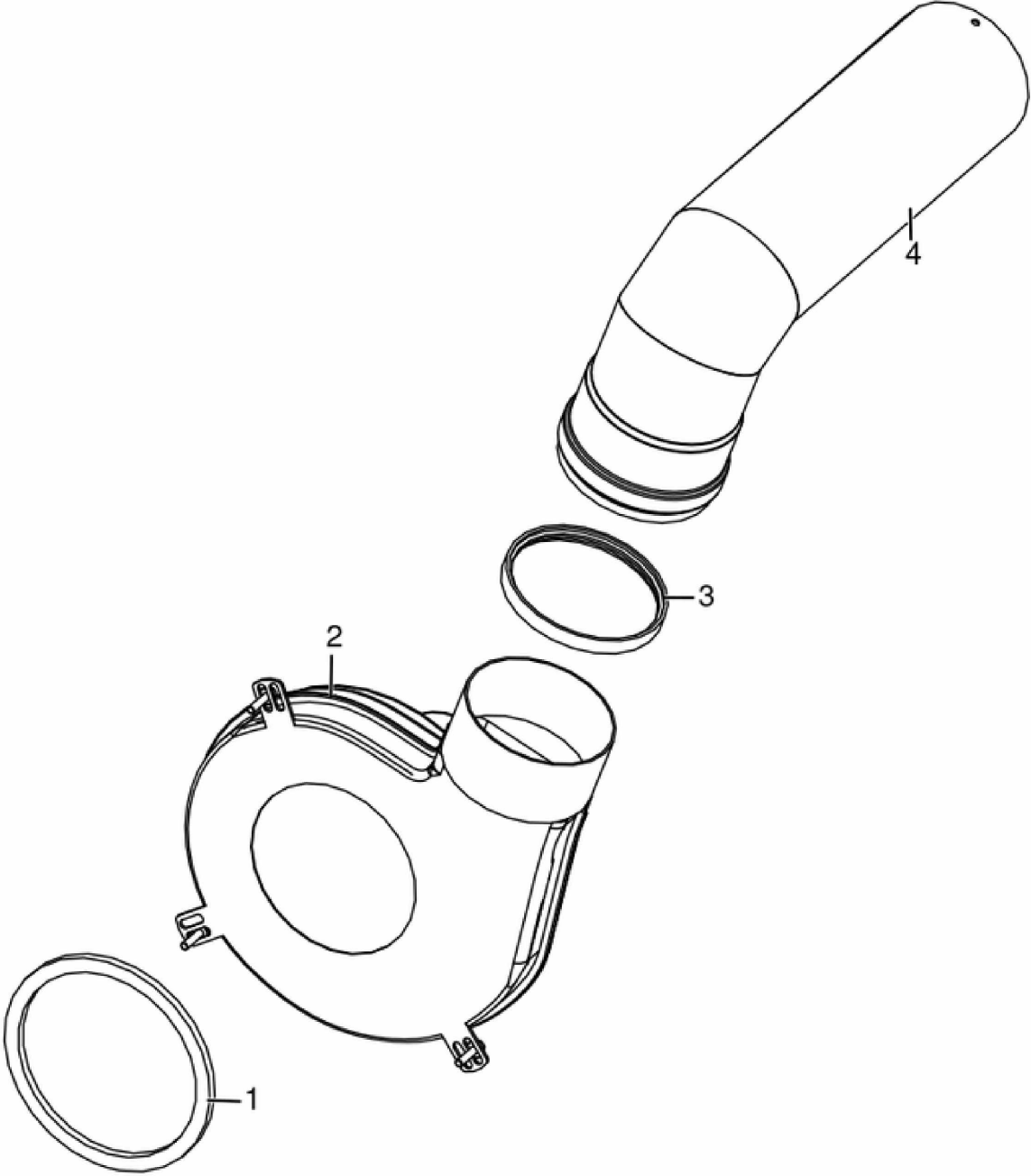


| N° | Codice/Code | Descrizioni / Description / Beschreibung / Description / Descripción | Prezzo (€) |
|----|---------------|--|------------|
| 1 | 41411674740V | Tasca braciere / Combustion pot container / Brenntopfkasten / Récipient braséro / Contenedor brasero | 141.00 |
| 2 | 41301602200V | Braciere in ghisa / Cast iron brazier / Bernnschale aus Guß / Brasero en fonte / Brasero de arrabio | 71.00 |
| 3 | 4D14118904400 | Scivolo braciere / Brazier slide / Brenntopf Rutsche / Glissière de brasero / Tobogán brasero | 80.00 |
| 4 | 41801604000 | Guarnizione scatola aspirazione / Aspiration box gasket / Saugkastendichtung / Joint de boîte d'aspiration / Junta de la caja de succión | 17.00 |
| 5 | 41801603800 | Guarnizione tubo aspirazione / Aspiration pipe gasket / Saugrohrdichtung / Joint de tuyau d'aspiration / Junta de tubo de succión | 18.00 |
| 6 | 41801603900 | Guarnizione condotto candeletta / Sparkplug conduit gasket / Dichtung Zündkerzenkanal / Joint conduit bougie / Junta conducto bujía | 21.00 |
| 7 | 41411688540V | Condotto candeletta / Sparkplug duct / Zündkerzenkanal / Conduit bougie / Conducto bujía | 72.00 |
| 8 | 41201601500 | Anello arresto candeletta / Sparkplug stop / Zündkerzestopper / Butée bougie / Tope bujía | 24.00 |
| 9 | 41451308101 | Cartuccia ceramica / Sparkplug / Keramik Zündkerze / Bougie ceramique / Bujía | 77.00 |
| 10 | 4160180500000 | Tubo di aspirazione / Aspiration pipe / Absaugung Rohr / Tuyau aspiration / Tubo aspiración | 43.00 |

CADEL

IDRO PRINCE 30 WIFI

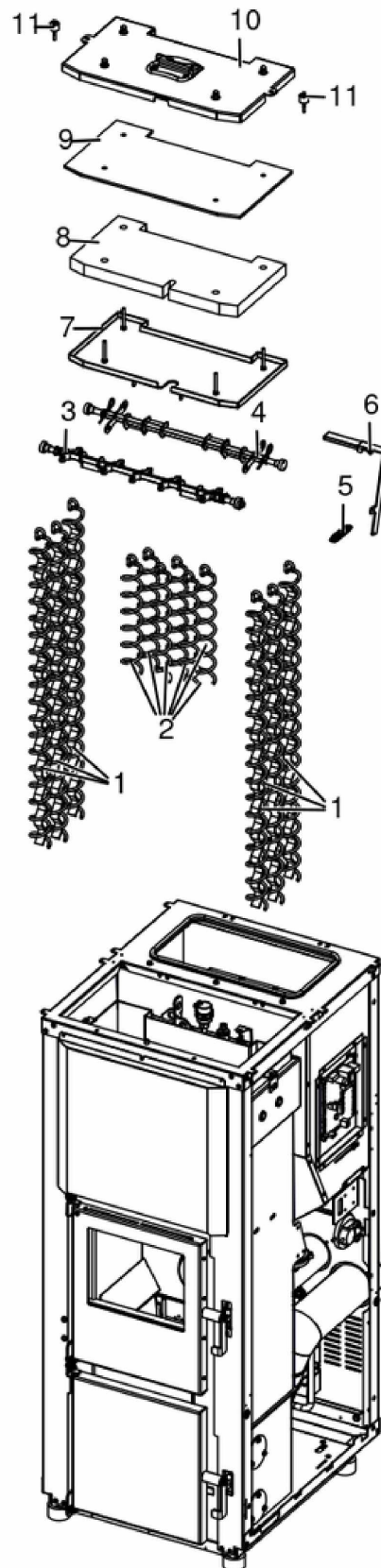
Gruppo fumi / Smoke group / Rauchgruppe / Groupe fumées / Grupo de humos



| N° | Codice/Code | Descrizioni / Description / Beschreibung / Description / Descripcion | Prezzo (€) |
|----|-------------|--|------------|
| 1 | 41801100100 | Guarnizione adesiva voluta fumi / Adhesive gasket smoke volute / Haftendichtung Rauchvolute / Joint adhesive volute fumées / Junta adhesiva voluta humos | 21.00 |
| 2 | 41451201750 | Ventilatore fumi / Smoke exhausted fan / Rauchabsauggebläse / Ventilateur aspiration fumées / Ventilador aspiración de humos | 232.00 |
| 3 | 40A12022 | Guarnizione Ø 100 - 5 Pz / Silicon gasket / Silikondichtung / Joint en silicone / Junta en silicóna | 18.00 |
| 4 | 41601803400 | Tubo di uscita fumi / Smoke outlet pipe / Rohr Rauchabzug / Tuyau sortie fumées / Tubo salida humos | 51.00 |

IDRO PRINCE 30 WIFI

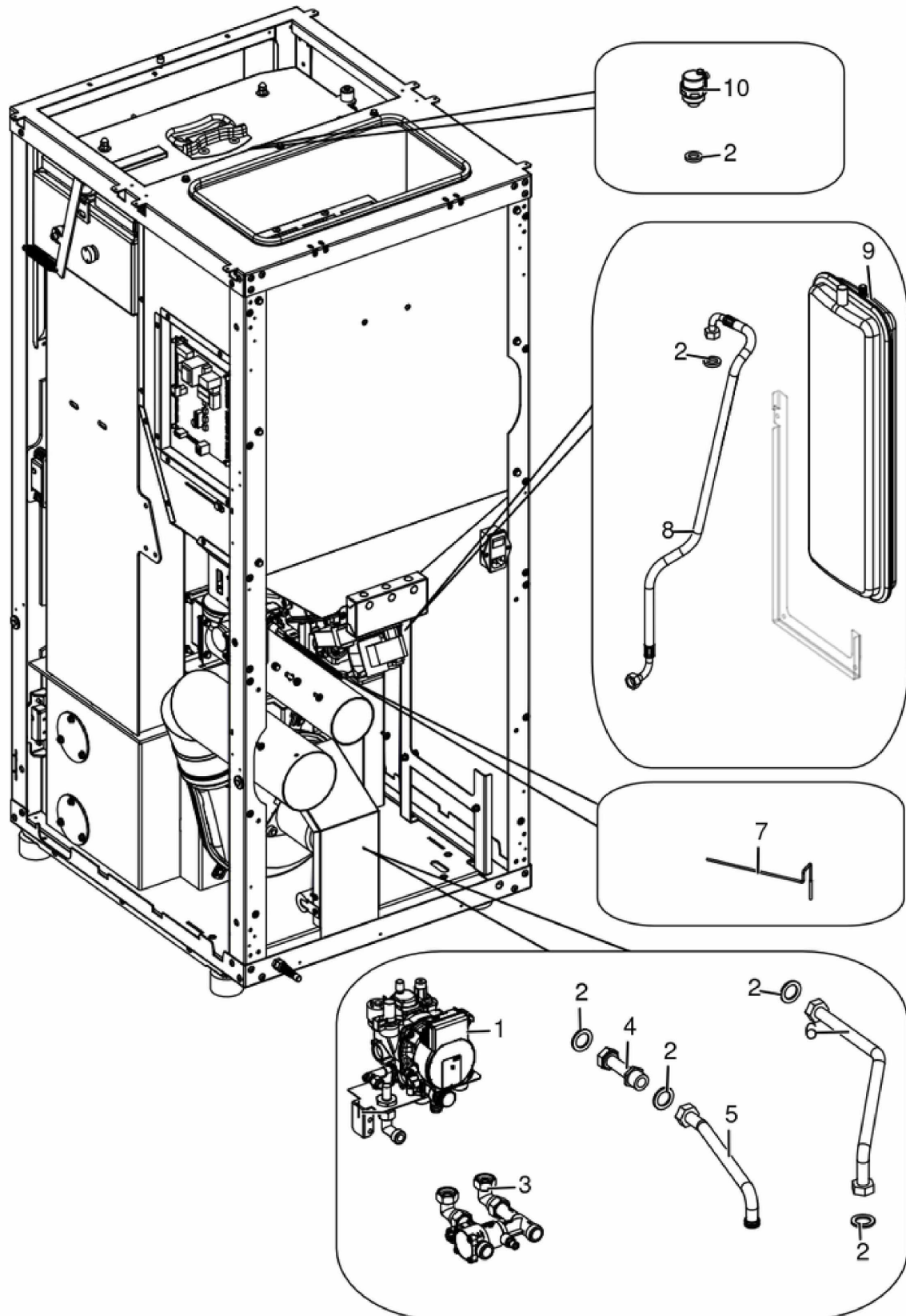
Gruppo scambiatore / Exchanger group / Austausch Baugruppe / Groupe échangeur / Grupo intercambiador



| N° | Codice/Code | Descrizioni / Description / Beschreibung / Description / Descripcion | Prezzo (€) |
|----|--------------|--|------------|
| 1 | 41331602240 | Turbolatore lungo completo / Complete long turbulators / Komplette lange Turbulatoren / Turbulateurs longs complets / Turbuladores largos completos | 92.00 |
| 2 | 41201302400 | Eliche raschiatore Inox (1 pz.) / Inox Turbulator props (1 pc.) / Propeller des Schabers Inox (1 Teil) / Hélices turbulateur Inox (1 pz.) / Hélice rascador Inox (1 pz.) | 33.00 |
| 3 | 41401700150 | Asse turbolatori anteriori / Front turbolator shaft / Vordere Turbolator Stange / Tige turbolateurs antérieurs / Asta rascadores anteriores | 180.00 |
| 4 | 41331602040 | Asse turbolatori posteriori / Rear turbolator shaft / Hintere Turbolator Stange / Tige turbolateurs postérieurs / Asta rascadores posteriores | 137.00 |
| 5 | 41201608900 | Molla trazione TR52 Ø E 12 (2 PZ) / Spring TR52 Ø E 12 (pcs.2) / Feder TR52 Ø E 12 (Stk.2) / Ressort TR52 Ø E 12 (pcs.2) / Ressorte TR52 Ø E 12 (pz.2) | 19.00 |
| 6 | 41411713250 | Leva turbolatore / Complete turbolator lever / Komplette Turbulatoren Hebel / Levier turbolateurs complet / Palanca completa turbuladores | 57.00 |
| 7 | 41331602640 | Involucro inferiore completo / Lower complete casing / Untere komplett Hülle / Enveloppe complète inférieure / Envoltura inferior completa | 73.00 |
| 8 | 41151601200 | Isolante coperchio / Cover insulating material / Deckel Isolationsmaterial / Isolant couvercle / Aislante tapa | 56.00 |
| 9 | 41151601100 | Isolante coperchio / Cover insulating material / Deckel Isolationsmaterial / Isolant couvercle / Aislante tapa | 27.00 |
| 10 | 41411650240V | Coperchio testata / Cover / Deckel / Couvercle / Tapa | 83.00 |
| 11 | 41801499550 | Kit scarico sovrappressione camera di combustione (pz.2) / Pressure relief kit (Pcs.2) / Bausatz überdruckablauf brennkammer (Stck.2) / Kit decompression chambre combustion (Pcs.2) / Kit descompresion camara combustion (Pcs.2) | 25.00 |

IDRO PRINCE 30 WIFI

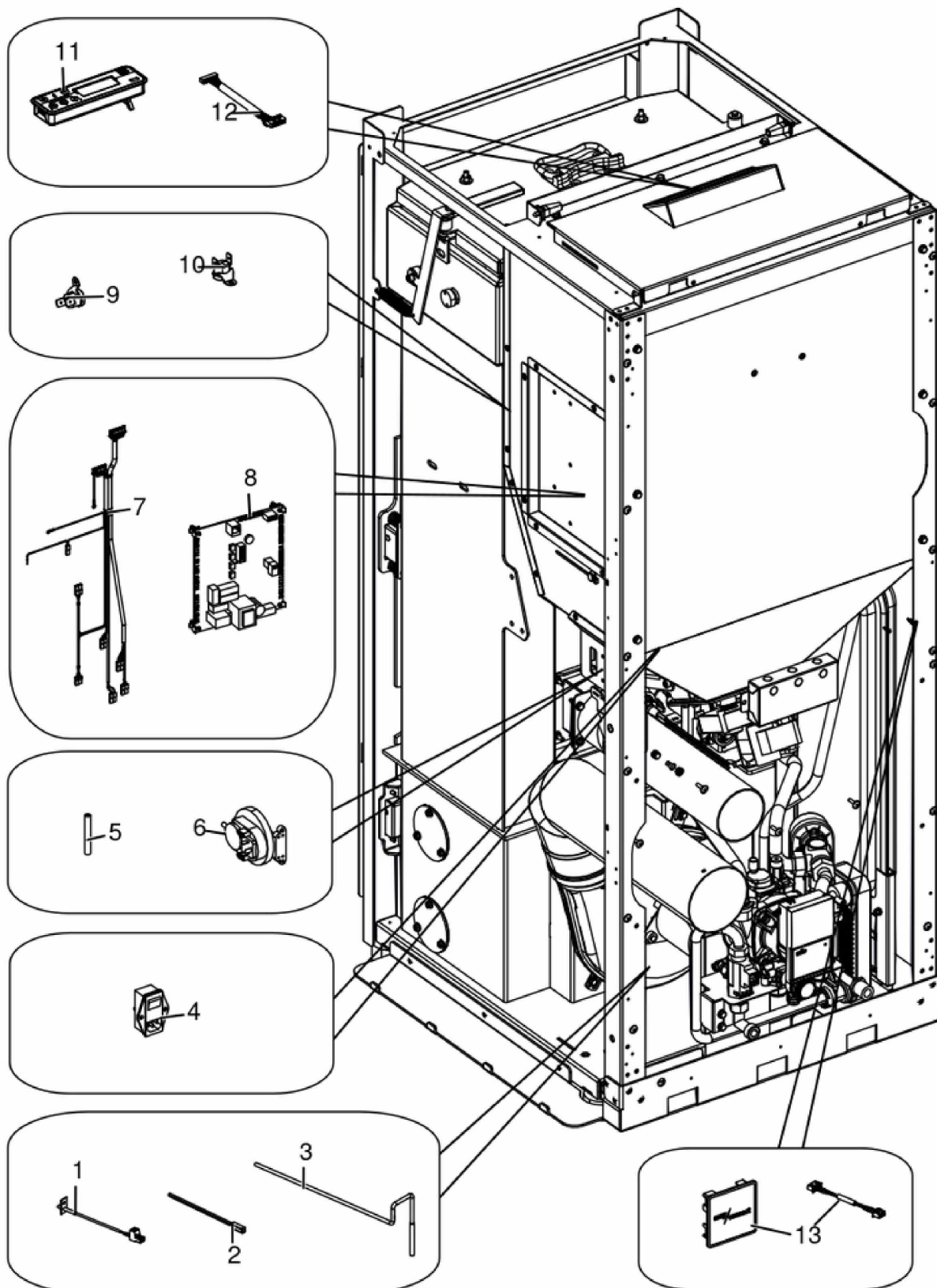
Gruppo componenti idraulici / Hydraulic components group / Hydraulische Komponenten / Groupe de composants hydrauliques / Grupo de componentes hidráulicos



| N° | Codice/Code | Descrizioni / Description / Beschreibung / Description / Descripción | Prezzo (€) |
|----|-------------|---|------------|
| 1 | 41501800251 | Kit idraulico alta efficienza / Hydraulic kit high efficiency pump / Hydraulische Baugruppe hoch Effizienz Pumpe / Kit hydraulique pompe de circulation haut rendement / Kit fontanero bomba circulación alto rendimiento | 335.00 |
| 1 | 41501500601 | Circolatore Wilo Para 7 IPWM / Water circulation pump Wilo Para 7 IPWM / Umwälzpumpe Wilo Para 7 IPWM / Pompe de circulation Wilo Para 7 IPWM / Bomba de circulación agua Wilo Para 7 IPWM | - |
| 1 | 41502000200 | Valvola by pass / By pass valve / Ventile By Pass / Soupape By Pass / Válvula by pass | 16.00 |
| 1 | 41501103300 | Valvola di sicurezza 3 bar / Maximum pressure valve 3 Bar / Sicherheitsventil 3 Bar / Soupape de pression maximale 3 Bar / Válvula máxima presión 3 Bar | 32.00 |
| 1 | 41451108000 | Pressostato H2O di minima / Pressur switch H2O / Druckwächter H2O / Pressostat H2O / Presostato H2O | 31.00 |
| 1 | 41501800900 | Raccordo a 90° / 90° Connection / 90 ° Anschluss / Connexion à 90 ° / Conexión 90 ° | 19.00 |
| 2 | 41207910 | Kit guarnizioni impianto idraulico / Hydraulic system gasket kit / Dichtungsbausatz für Hydraulikanlage / Kit de joints pour l'installation hydraulique / Kit de juntas de la instalación de fontanería | 34.00 |
| 3 | 40A18012 | Valvola termostatica / Thermostatic valve / Thermostatventil / Vanne thermostatique / Válvula termostática | 311.00 |
| 3 | 41501806000 | Valvola anticondensa / Back end protection / Thermostatisches Ventil / Vanne Anti Condensatio / Valvula Anti Condensación | 247.00 |
| 4 | 41501602000 | Raccordo kit idraulico / Hydraulic kit connection / Hydraulik Satzanschluss / Raccordement du kit hydraulique / Conexión kit hidráulico | 35.00 |
| 5 | 41501800300 | Raccordo circolatore caldaia / Boiler circulator connection / Kessel Zirkulationsanschluss / Raccord de circulation de la chaudière / Conexión de circulación de caldera | 19.00 |
| 6 | 41501800400 | Raccordo mandata impianto / Delivery tube connection / Vorlaufrohr Verbindung / Raccord tuyau refoulement / Raccor tubo de envío | 21.00 |
| 7 | 4012062 | Sonda NTC a filo per acqua / Water NTC temperature sensor / Wassertemperaturfühler NTC / Sonde température eau NTC / Sonda temperatura agua NTC | 22.00 |
| 8 | 41501100800 | Tubo di mandata acqua da caldaia / Boiler water delivery tube / Vorlaufrohr Wasser vom Kessel / Tuyau de refoulement eau de la chaudière / Tubo de envío de agua de la caldera | 34.00 |
| 9 | 4120775 | Vaso espansione (6 l) / Expansion vessel (6 l) / Expansionsgefäß (6 l) / Vase d'expansion (6 l) / Vaso de expansión (6 l) | 75.00 |
| 10 | 4120779 | Valvola di sfiato / Vent valve / Entlüftungsventil / Soupape de dégagement / Válvula respiradero | 26.00 |

IDRO PRINCE 30 WIFI

Gruppo elettrico ed elettronico Wi-Fi / WI-FI electric and electronic group / WI-FI elektrische und elektronische Gruppe / Groupe électrique et électronique WI-FI / Grupo eléctrico y electrónico WI-FI



| N° | Codice/Code | Descrizioni / Description / Beschreibung / Description / Descripcion | Prezzo (€) |
|----|--------------|---|------------|
| 1 | 41451601700 | Sonda fumi / Smoke sensor / Rauchgasfühler / Sonde fumées / Sonda humos | 33.00 |
| 2 | 4160240 | Sonda temperatura ambiente / Room temperature sensor / Raumtemperaturfühler / Sonde température ambiante / Sonda temperatura aire | 20.00 |
| 3 | 4012062 | Sonda NTC a filo per acqua / Water NTC temperature sensor / Wassertemperaturfühler NTC / Sonde température eau NTC / Sonda temperatura agua NTC | 22.00 |
| 4 | 4160193 | Pulsante accensione / On/Off button / Zündungstaste / Touche d'allumage / Botón encendido | 28.00 |
| 5 | 4120631A | Tubicino siliconico - 5m / Silicon tube - 5m / Silikonrohr - 5m / Petit tuyau en silicone - 5m / Tubo silicónico - 5m | 22.00 |
| 6 | 4160482 | Pressostato 0,4 mbar / Pressure gauge 0,4 mbar / Druckwächter 0,4 mbar / Pressostat 0,4 mbar / Presostato 0,4 mbar | 38.00 |
| 7 | 4D1451802700 | Cablaggio elettrico / Electrical wiring / Elektrische Verkabelung / Câblage électrique / Cableado eléctrico | 96.00 |
| 8 | 41451200500 | Scheda madre completa MICRONOVA / Complete mother board MICRONOVA / Komplette Hauptplatine MICRONOVA / Carte mère complete MICRONOVA / Tarjeta madre completa MICRONOVA | 239.00 |
| 8 | 41451104900 | Scheda aggiuntiva hydro / Supplementary mother board Hydro / Zusätzliche Platine Hydro / Carte mère additionnelle Hydro / Tarjeta adicional Hydro | 53.00 |
| 9 | 412007004 | Clickson 110°C / Clickson 110°C / Clickson 110°C / Clickson 110°C / Clickson 110°C | 20.00 |
| 10 | 41451601900 | Termostato / Thermostat / Thermostat / Thermostat / Termóstato | 22.00 |
| 11 | 4D1451303300 | Pannello comandi grafico / Graphic control panel / Graphische Bedienblende / Tableau de commande / Panel de mandos gráfico | 138.00 |
| 12 | 41451201900 | Cavo Flat L 1,4 M / Flat cable L 1,4 M / Flat Kable L 1,4 M / Câble Flat L 1,4 M / Cable Flat L 1,4 M | 21.00 |
| 13 | 5020017 | Kit WI-FI / WI FI Kit / WI FI Kit / Kit WI FI / Kit WI FI | 150.00 |