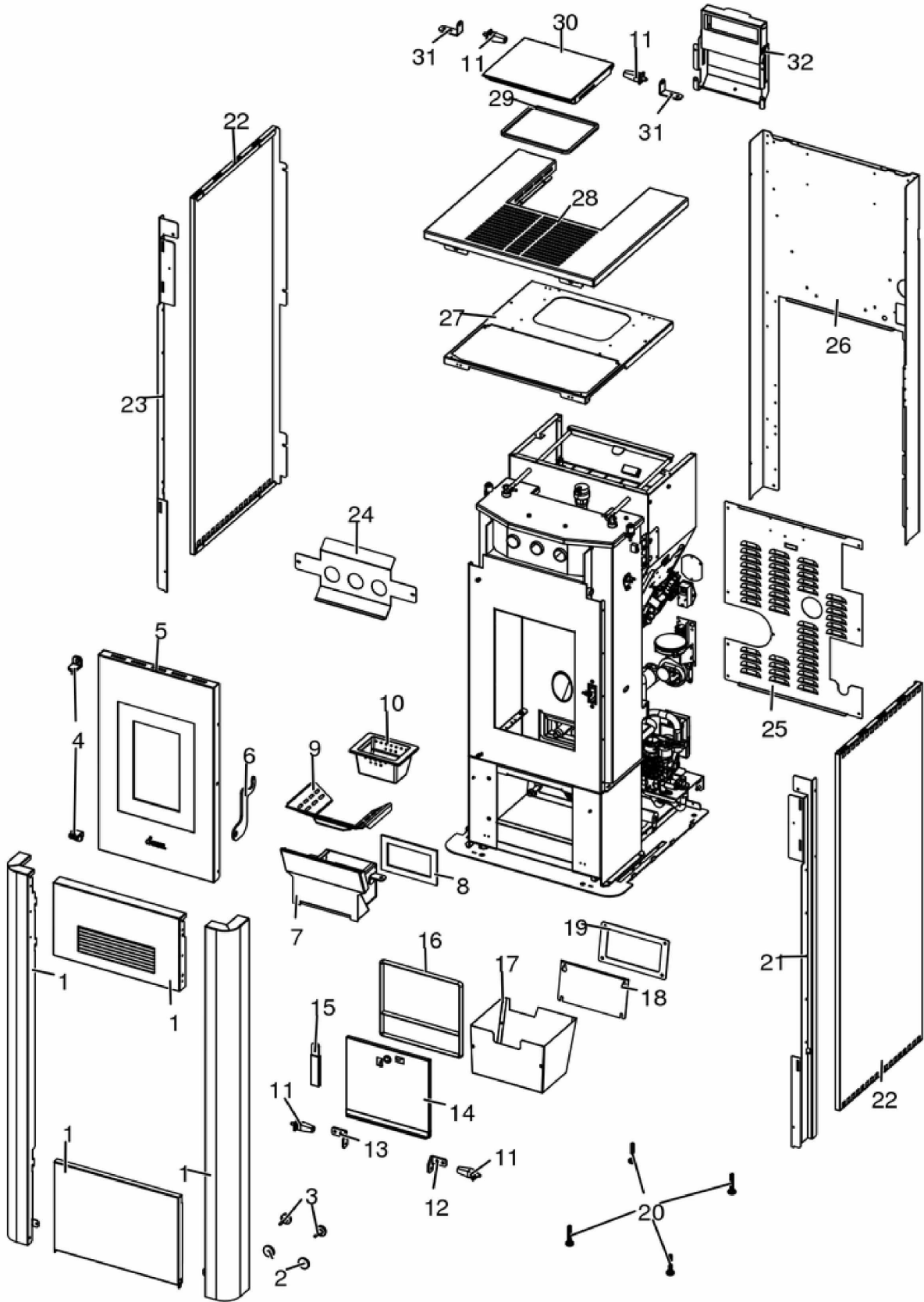


## IDRO PRINCE3 - 16

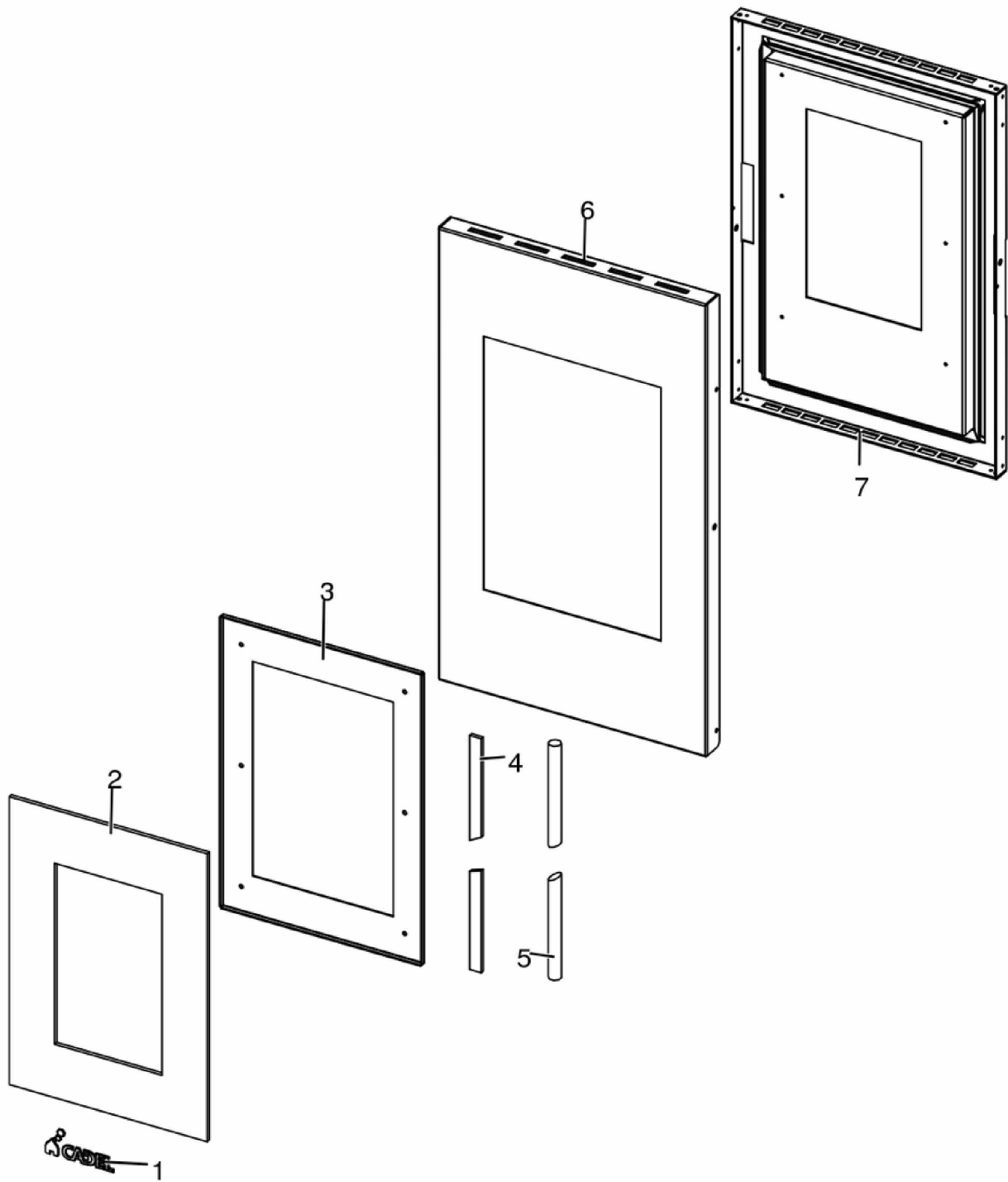
Componenti Struttura Esterna / External structure components / Bauteile Aussenkorpus / Composants structure externe / Componentes estructura externa



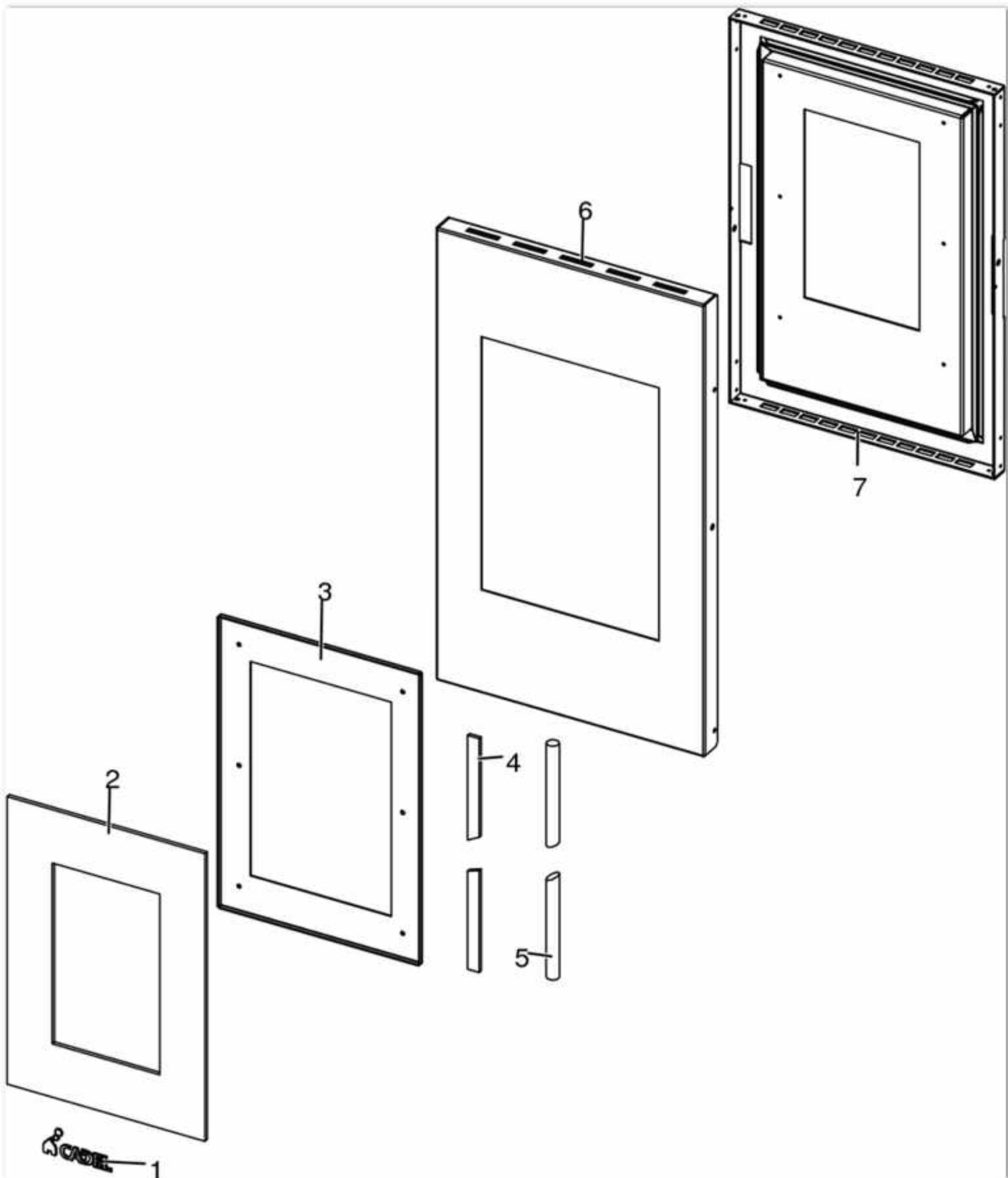
N°	Codice/Code	Descrizioni / Description / Beschreibung / Description / Descripcion	Prezzo (€)
1	6917030	Rivestimento Bianco / Coating White / Bekleidung Weiß / Revêtement Blanc / Revestimiento Blanco	152.00
1	6917031	Rivestimento Light bronze / Coating Light bronze / Bekleidung Light bronze / Revêtement Light bronze / Revestimiento Light bronze	180.00
1	6917032	Rivestimento Silver / Coating Silver / Bekleidung Silver / Revêtement Silver / Revestimiento Silver	-
1	6917033	Rivestimento Rosso / Coating Red / Bekleidung Rot / Revêtement Rouge / Revestimiento Rojo	152.00
1	6917034	Rivestimento Antracite / Coating Anthracite / Bekleidung Anthracite / Revêtement Anthracite / Revestimiento Antracite	152.00
2	4D120165020	Magnete 20x3 (pz.10) / 20x3 magnet (pcs.10) / 20x3 Magnet (Stk 10) / Aimant 20x3 (Pcs 10) / Imán 20x3 (Pz.10)	52.00
3	4D120172010K	Kit 4 paracolpi / Kit 4 Bumpers / Kit 4 Schlagschutzgummi / Kit 4 pièces antichoc / Kit 4 anti-golpes	23.00
4	412008063	Cerniere porta fuoco (2 pz) / Fire door hinge (2pcs) / Scharnier Feuertür (2 Stck) / Charnière porte foyer (2 pcs) / Bisagra puerta del hogar (2 pz)	27.00
5	4D37017107	Porta finita completa / Complete finished door / Komplette Tür / Porte finie complète / Puerta completa	287.00
6	4D1411702710P	Maniglia / Handle / Griff / Poignée / Maneta	21.00
7	41411682441V	Tasca braciere / Grate poket / Brennerpotf Tasche / Poche brasero / Bolsillo brasero	192.00
8	41801605800	Guarnizione tasca braciere / Combustion pot container gasket / Brennerpotfkasten Dichtung / Joint récipient brasero / Junta contenedor brasero	25.00
9	41411696230V	Griglia focolare / Hearth grate / Herd-Gitter / Grille de foyer / Rejilla de hogar	59.00
10	41301602601V	Braciere ghisa / Cast iron grate / Brennerpotf aus Gusseisen / Brasero en fonte / Brasero de arrabio	58.00
11	4D14013054C	Cerniera a innesto (2 pz) / Hinge (2 pc) / Scharnier (2 Stck) / Charnière (2 pcs) / Bisagra (2 pzs)	28.00
12	4D1411623930V	Cerniera dx / Hinge R. / Scharnier R. / Charnière D. / Bisagra DCHA	20.00
13	4D1411624030V	Cerniera sx / Hinge L. / Scharnier L. / Charnière G. / Bisagra IZDA	20.00
14	41421605640V	Porta cenere / Ash drawer / Aschenkastens / Tiroir à cendres / Cajón ceniza	54.00
14	437016077	Porta cassetto cenere (2 pz) / Ash drawer door (2 pcs) / Tür des Aschenkastens (2 stck) / Porte tiroir à cendres (2 pcs) / Puerta cajón ceniza (2 pzs)	124.00
15	41411621600	Maniglia / Handle / Griff / Poignée / Maneta	20.00
16	412007003A	Cordino fibro ceramica Ø 14 mm (5 m) / Ceramic fibre cord Ø 14 mm (5 m) / Keramikfaserschnur Ø 14 mm (5 m) / Cordon en fibre céramique Ø 14 mm (5 m) / Junta a cuerda de fibra cerámica Ø 14 mm (5 m)	44.00
17	437016041	Cassetto cenere / Ash drawer / Aschekasten / Tiroir à cendres / Cajón cenizas	63.00
18	41401605530	Tappo camera fumi / Plug fumes chamber / Deckel Raumrauch / Bouchon chambre fumés / Tapón camara humos	20.00
19	41801601300	Guarnizione tappo camera fumi / Smoke compartment plug gasket / Dichtung Rauchabzugklappe / Joint clapet compartiment fumées / Junta tapón compartimento humos	19.00
20	41200906660	Piedini di appoggio (4 pz) / Support feet (4 pcs) / Einstellfüße (4 Stck) / Vérins d'appui (4 pcs) / Pies de apoyo (4 pz)	19.00
21	4D1411729930V	Montante anteriore dx / Frontal vertical rod R. / Vordere Montageleiste R. / Montant antérieur D. / Montante anterior DCHO	46.00
22	4D1411737730P	Fianco / Side / Seite / Côté / Lateral	104.00
23	4D1411729830V	Montante anteriore sx / Frontal vertical rod L. / Vordere Montageleiste L. / Montant antérieur G. / Montante anterior IZDO	46.00
24	4D1411737830V	Frangicalore mascherina / Deflector / Leitblech / Déflecteur / Deflector	28.00
25	41411610132P	Pannello posteriore nero / Rear black panel / Hinteres Schwarzes Paneel / Panneau postérieur noir / Panel posterior negro	55.00
25	4141161013300	Pannello posteriore nero / Black rear panel / Hintere schwarze Rückwand / Panneau postérieur noir / Panel trasero negro	83.00
26	4D1411685530P	Schiena / Back / Rückwand / Fond / Parte trasera	109.00
26	4D14116855410	Schiena / Back / Rückwand / Fond / Parte trasera	112.00
27	41411686030V	Supporto / Support / Stütze / Support / Soporte	56.00
28	4D1411737930P	Top / Top / Abdeckplatte / Dessus / Top	115.00
29	4D18013016	Guarnizione 155X190 mm / Gasket 155X190 mm / Dichtung 155x190 mm / Joint 155X190 mm / Junta 155X190 mm	34.00
30	4D14116850300	Coperchio serbatoio nero / Black hopper cover / Schwarze Deckel Pelletbehälter / Couvercle noir réservoir / Tapa negra depósito	49.00
30	41411684830P	Contro coperchio / Cover stopper / Gegen Deckel / Contre couvercle / Contra tapa	0.00
31	4D1411685430P	Angolare supporto coperchio pellet / Angular pellet cover / Eckig Deckel / Angulaire couvercle Pellet / Angular tapa	19.00
32	4D1421811350	Supporto display / Display support / Stütze Steuerplatine / Support tableau de commande / Soporte pantalla	72.00

## IDRO PRINCE3 - 16

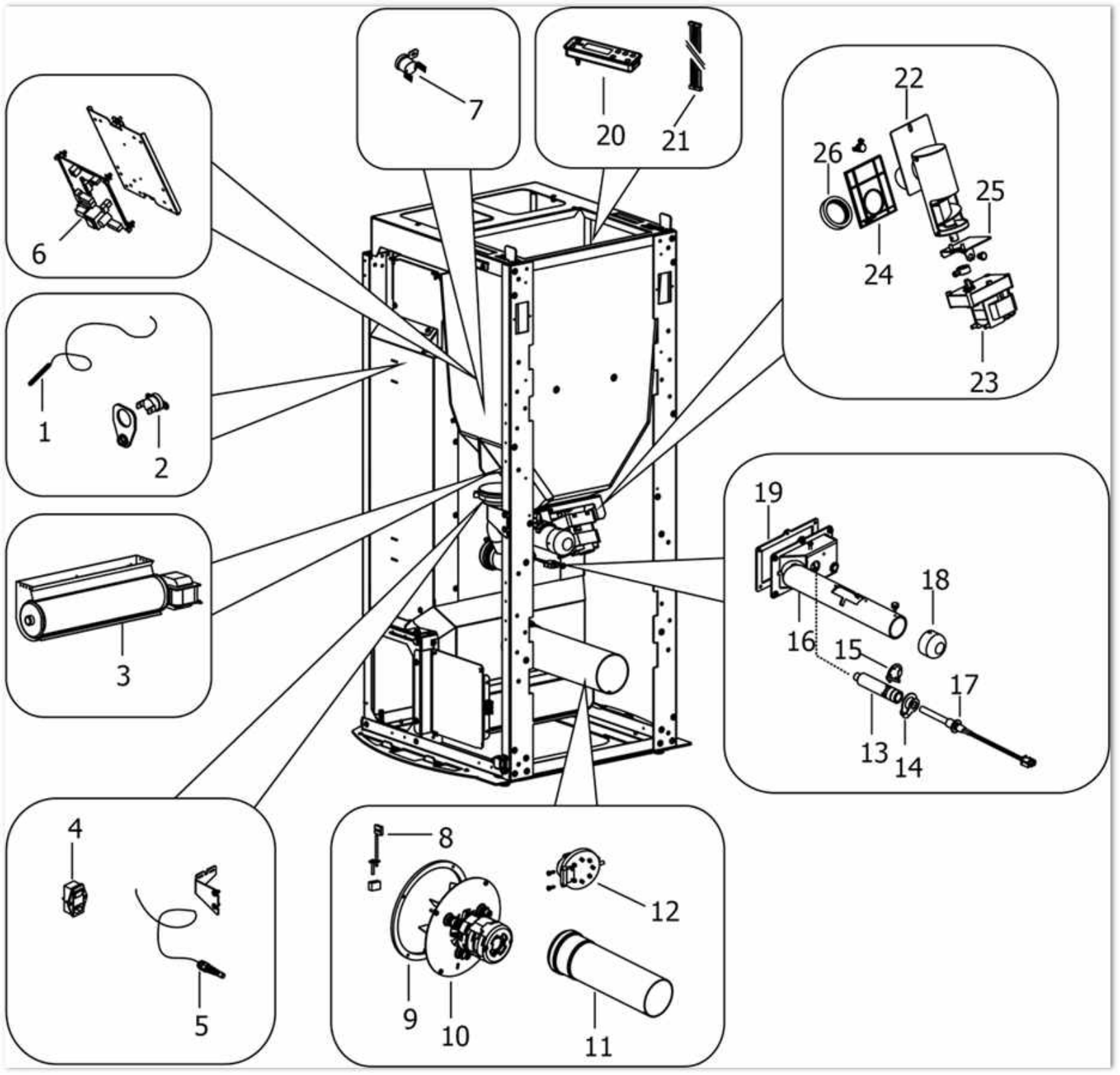
Porta fuoco / Fire door / Feuertür / Porte foyer / Puerta hogar



N°	Codice/Code	Descrizioni / Description / Beschreibung / Description / Descripción	Prezzo (€)
1	4D12013039	Logo Cadel / Cadel logo / Cadel Logo / Cadel logo / Cadel logo	25.00
2	4D1701700860	Vetroceramico 369x254x5 / Glass 369x254x5 / Glaskeramikscheibe 369x254x5 / Vitrocéramique 369x254x5 / Cristal cerámico 369x254x5	100.00
3	4D1401707930	Profilo fermavetro / Fastening bracket profile / Haltebügel für Scheibebefestigung Profil / Profil patte de fixation / Perfil fermacristal	31.00
4	4D18013008A	Guarnizione 10x3 (5m) / Gasket 10x3 (5m) / Dichtung 10x3 (5m) / Joint 10x3 (5m) / Junta 10x3 (5m)	35.00
4	4D18013008C	Guarnizione 10x3 (100m) / Gasket 10x3 (100m) / Dichtung 10x3 (100m) / Joint 10x3 (100m) / Junta 10x3 (100m)	287.00

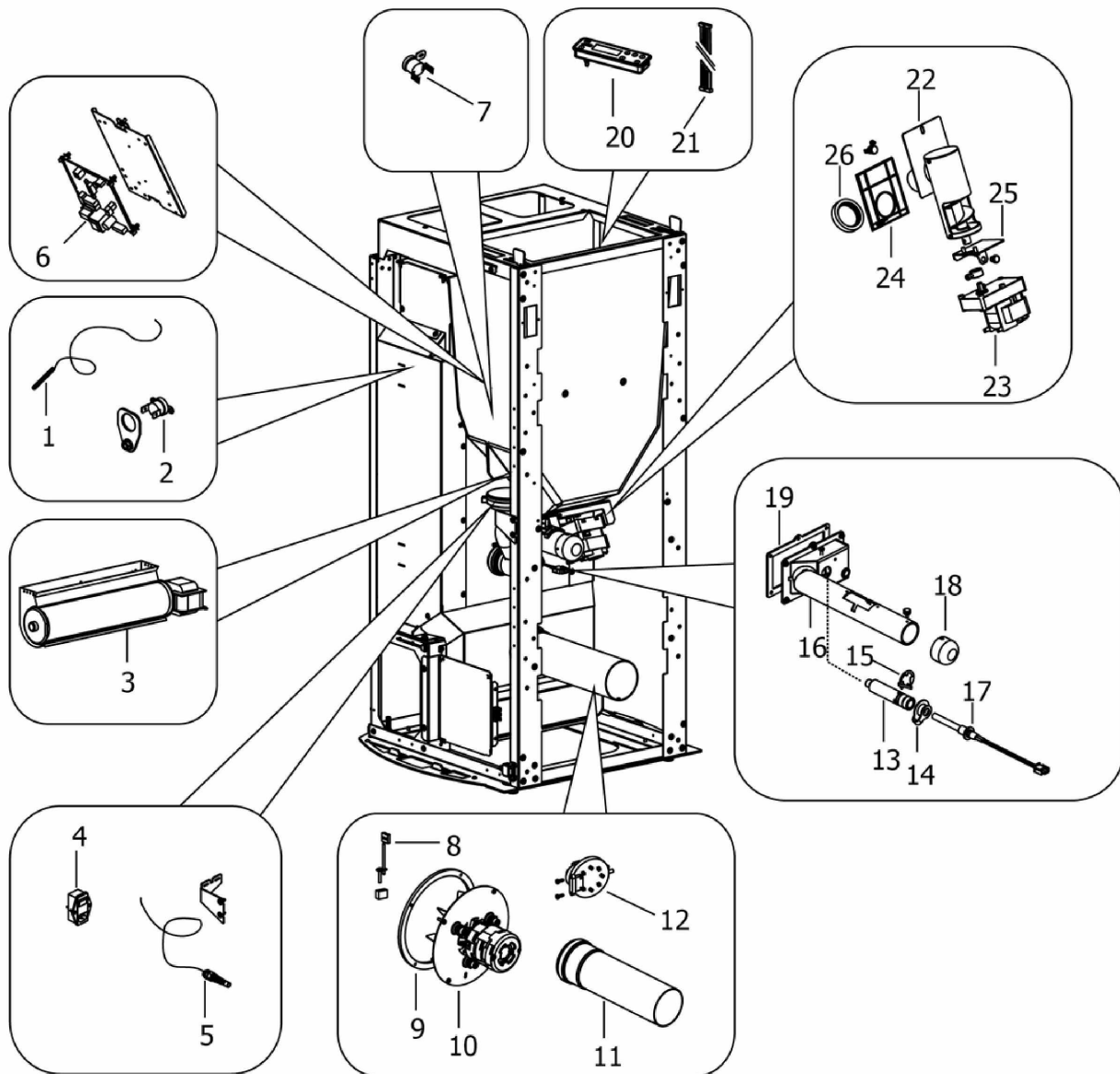


<b>5</b>	<b>4D18013021A</b>	Guarnizione treccia nera D.10 - 5 M / Black twist gasket D.10 - 5 M / Dichtung D.10 - 5 M / Joint tresse noire D.10 - 5 M / Junta D.10 - 5 M	<b>33.00</b>
<b>5</b>	<b>4D18013021B</b>	Guarnizione treccia nera D.10 - 50 M / Black twist gasket D.10 - 50 M / Dichtung D.10 - 50 M / Joint tresse noire D.10 - 50 M / Junta D.10 - 50 M	<b>144.00</b>
<b>6</b>	<b>4D1411729730V</b>	Telaio porta / Door frame / Rahmen Feuertür / Cadre porte / Armazón puerta	<b>77.00</b>
<b>7</b>	<b>4D1411728740V</b>	Tamponazione porta / Door filler / Türstopfung / Plaque porte / Tapa puerta	<b>121.00</b>



## IDRO PRINCE3 - 16

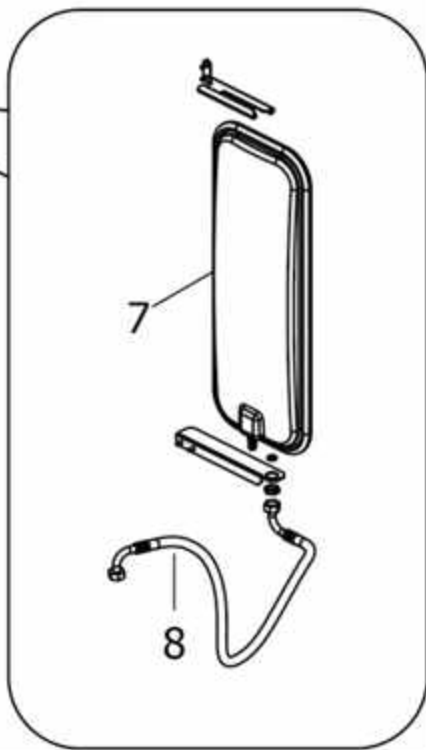
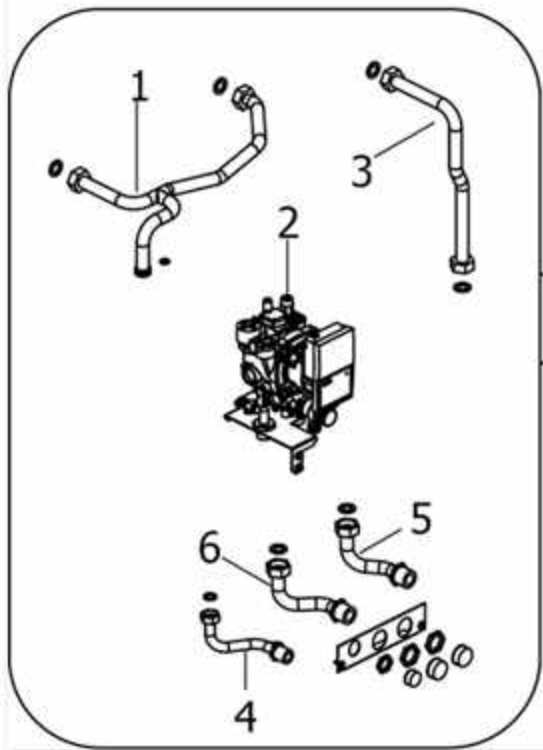
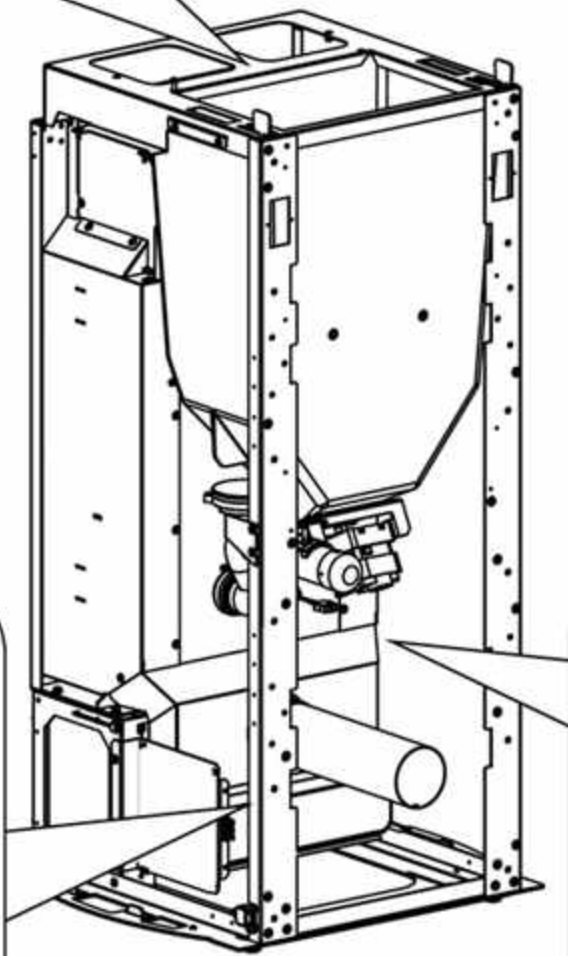
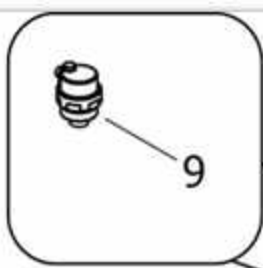
Componenti interni meccanici ed elettronici / Electronic and mechanic internal parts / Interne mechanische und elektronische Bauteile / Composants internes mécaniques et électroniques / Componentes internos electrónicos y mecánicos



N°	Codice/Code	Descrizioni / Description / Beschreibung / Description / Descripción	Prezzo (€)
1	4012062	Sonda NTC a filo per acqua / Water NTC temperature sensor / Wassertemperaturfühler NTC / Sonde température eau NTC / Sonda temperatura agua NTC	22.00
2	41450901100	Clickson 95°C / Clickson 95°C / Clickson 95°C / Clickson 95°C / Clickson 95°C	20.00
3	41451000300	Ventilatore scambiatore aria calda / Hot air exchanger fan / Wärmeluftgebläse / Ventilateur échangeur air chaud / Ventilador intercambiador aire caliente	55.00
4	4160193	Pulsante accensione / On/Off button / Zündungstaste / Touche d'allumage / Botón encendido	28.00
5	4160240	Sonda temperatura ambiente / Room temperature sensor / Raumtemperaturfühler / Sonde température ambiance / Sonda temperatura aire	20.00
6	41451200500	Scheda madre completa MICRONOVA / Complete mother board MICRONOVA / Komplette Hauptplatine MICRONOVA / Carte mère complete MICRONOVA / Tarjeta madre completa MICRONOVA	239.00
6	41451604300	Cablaggio elettrico base / Electrical wiring / Elektrische Verkabelung / Câblage électrique / Cableado eléctrico	84.00
7	412007004	Clickson 110°C / Clickson 110°C / Clickson 110°C / Clickson 110°C / Clickson 110°C	20.00
8	41451002300	Sonda fumi / Smoke sensor / Rauchgassonde / Sonde fumées / Sonda humos	31.00
9	41801301500	Guarnizione adesiva SP 6 D210 / Adhesive Gasket SP 6 D210 / Haftendddichtung SP 6 D210 / Joint Adhesive SP 6	20.00

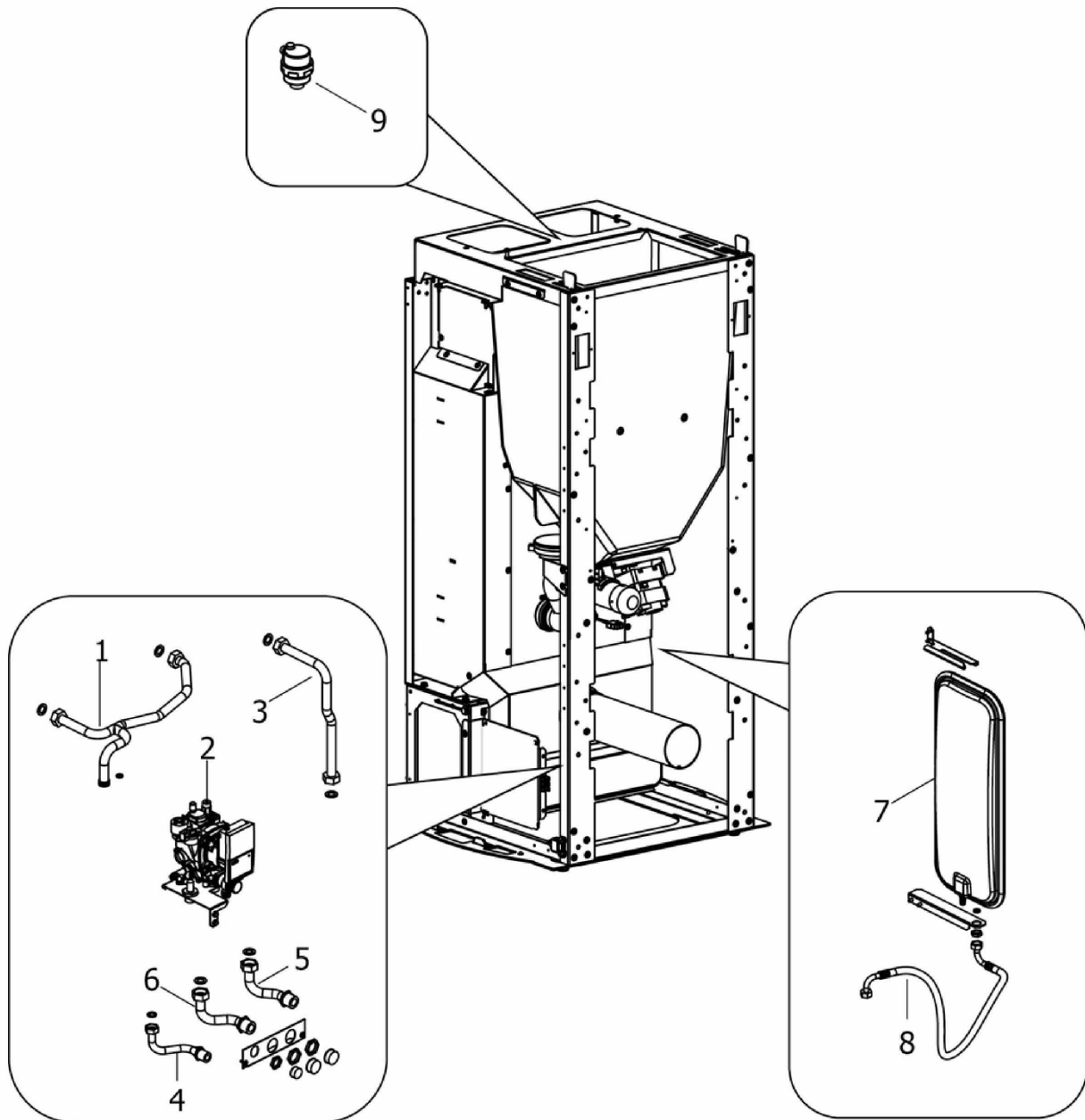
		D210 / Junta Adhesiva SP 6 D210	
10	41451600100	Ventilatore fumi / Smokefan / Rauchgasgebläse / Ventilateur fumées / Ventilador humos	210.00
11	41601601160	Tubo fumi a innesto / Plug-in flue pipe / Plug-in Rauchrohr / Conduit de cheminée enfichable / Tubo de humos enchufable	35.00
12	4160482	Pressostato 0,4 mbar / Pressure gauge 0,4 mbar / Druckwächter 0,4 mbar / Pressostat 0,4 mbar / Presostato 0,4 mbar	38.00
13	41601800300	Condotto candeledda hydro / Hydro sparkplug duct / Hydro Zündkerzenkanal / Conduit bougie hydro / Conducto bujía hydro	39.00
14	41801604300	Guarnizione condotto candeledda / Sparkplug conduit gasket / Dichtung Zündkerzenkanal / Joint conduit bougie / Junta conducto bujía	19.00
15	41201601500	Anello arresto candeledda / Sparkplug stop / Zündkerzestopper / Butée bougie / Tope bujía	24.00
16	41421608341V	Scatola aria comburente base / Combustion air box / Verbrennungsluft Kasten / Boîte air de combustion / Caja aire de combustión	79.00
17	41451308101	Cartuccia ceramica / Sparkplug / Keramik Zündkerze / Bougie ceramique / Bujía	77.00
18	41401036100	Filtro aria comburente / Anti-dust filter / Staubschutzfilter / Filtre antipoussière / Filtro de protección polvo	21.00
19	418008027	Guarnizione / Gasket / Dichtung / Joint / Junta	22.00
20	4D1451303300	Pannello comandi grafico / Graphic control panel / Graphische Bedienblende / Tableau de commande / Panel de mandos gráfico	138.00
21	41451201900	Cavo Flat L 1,4 M / Flat cable L 1,4 M / Flat Kable L 1,4 M / Câble Flat L 1,4 M / Cable Flat L 1,4 M	21.00
22	41411800151	Coclea caricamento pellet / Pellet feed screw / Pellet Förderschnecke / Vis sans fin pour chargement du pellet / Cóclea de carga pellet	115.00
23	41450901600	Motoriduttore 3,3 rpm Merkle Korff / Reduction motor 3,3 rpm Merkle Korff / Getriebemotor 3,3 RPM MERKLE KORFF / Motoréducteur 3,3 RPM MERKLE KORFF / Motorreductor 3,3 rpm Merkle Korff	114.00
24	41801600400	Guarnizione gruppo caricamento / Loading group gasket / Fördergruppe Dichtung / Joint groupe de chargement / Junta por grupo de carga	20.00
25	41401606430	Staffa fermo motoriduttore / Reduction motor bracket stop / Getriebemotor Bügelstopper / Butée étrier motoréducteur / Tope zuncho motorreductor	21.00
26	41801702600	Disaccoppiatore coclea / Feed screw gasket / Dichtung Pelleutrutsche / Joint vis sans fin / Desacoplador cóclea	18.00





## IDRO PRINCE3 - 16

Componenti interni idraulici **SENZA** kit acqua sanitaria / Internal plumbing components **WITHOUT** domestic water kit / Interne hydraulische Bauteile **OHNE** Brauchwassersatz / Composants hydrauliques internes **SANS** kit eau sanitaire / Componentes internos hidráulicos **SIN** kit de agua sanitaria

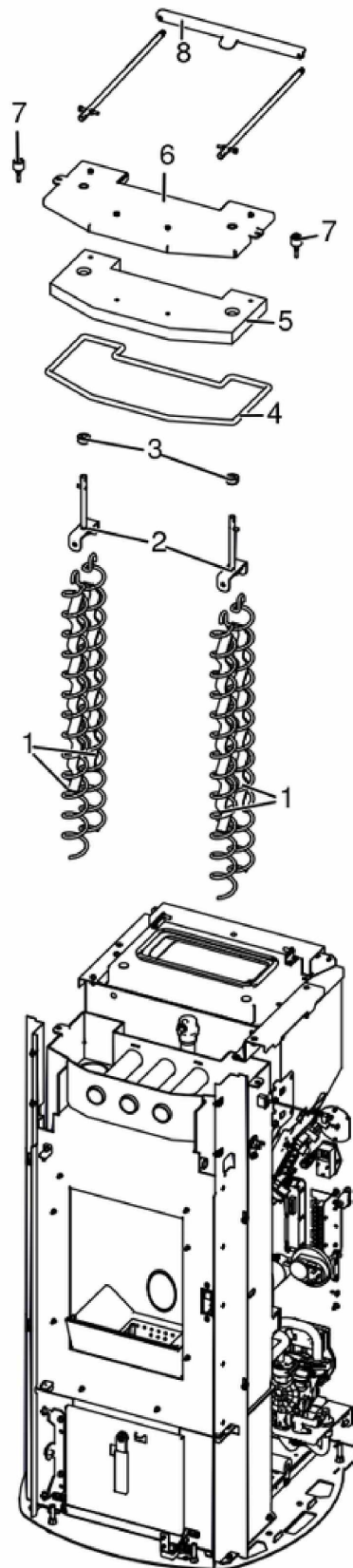


N°	Codice/Code	Descrizioni / Description / Beschreibung / Description / Descripción	Prezzo (€)
1	41501600300	Tubo circolazione caldaia / Boiler circulation tube / Rohr für Kesselumwälzung / Tuyau de circulation chaudière / Tubo de circulación caldera	58.00
2	41501600250	Gruppo idraulico AE / HE hydraulic unit / HE Hydraulikeinheit / HR Unité hydraulique / Unidad hidráulica AR	-
2	41451108000	Pressostato H2O di minima / Pressur switch H2O / Druckwächter H2O / Pressostat H2O / Presostato H2O	31.00
2	41502002100	Circolatore Wilo Para 7 IPWM / Water circulation pump Wilo Para 7 IPWM / Umwälzpumpe Wilo Para 7 IPWM / Pompe de circulation Wilo Para 7 IPWM / Bomba de circulación agua Wilo Para 7 IPWM	320.00
2	41501103300	Valvola di sicurezza 3 bar / Maximum pressure valve 3 Bar / Sicherheitsventil 3 Bar / Soupape de pression maximale 3 Bar / Válvula máxima presión 3 Bar	32.00
2	41801204500	Forcella tubo 18 circ. AE / Fork pipe ø18 / Gabel-Rohr ø18 / Fourche je roucoule ø18 / Horquilla arrullo ø18	21.00
3	41501600600	Tubo mandata impianto / Delivery tube / Vorlaufrohr / Tuyau refoulement / Tubo de envío	44.00
4	41501600400	Tubo di carico caldaia / Boiler loading tube / Rohr für Kesseleinfüllung / Tuyau de chargement chaudière / Tubo de	35.00

		carga caldera	
<b>5</b>	<b>41501600700</b>	Raccordo mandata impianto / Delivery tube connection / Vorlaufrohr Verbindung / Raccord tuyau refoulement / Raccor tubo de envío	<b>38.00</b>
<b>6</b>	<b>41501600500</b>	Tubo ritorno impianto / Return tube / Rücklaufrohr / Tuyau retour / Tubo de regreso	<b>38.00</b>
<b>7</b>	<b>4120775</b>	Vaso espansione (6 l) / Expansion vessel (6 l) / Expansionsgefäß (6 l) / Vase d'expansion (6 l) / Vaso de expansión (6 l)	<b>75.00</b>
<b>8</b>	<b>41501601000</b>	Tubo FLE. DN 10 / Flexible tube DN. 10 / Flexibles Rohr DN. 10 / Tuyau flexible DN. 10 / Tubo flexible DN. 10	<b>29.00</b>
<b>9</b>	<b>4120779</b>	Valvola di sfiato / Vent valve / Entlüftungsventil / Soupape de dégagement / Válvula respiradero	<b>26.00</b>

## IDRO PRINCE3 - 16

Gruppo scambiatore / Exchanger group / Austausch Baugruppe / Groupe échangeur / Grupo intercambiador



N°	Codice/Code	Descrizioni / Description / Beschreibung / Description / Descripcion	Prezzo (€)
1	41400914540	Eliche raschiatore (1 pz.) / Turbulator props (1 pc.) / Propeller des Schabers (1 Teil) / Hélices turbulateur (1 pz.) / Hélice rascador (1 pz.)	41.00
2	41401129341	Staffa sostegno raschiatore Inox / Inox turbulator support bar / Haltebügel des Schabers aus Inox / Etrier support turbulateur en Inox / Zuncho apoyo rascador de Inox	28.00
3	41200903300	Trascinatore turbolatori (2 pz.) / Turbolator props puller (2 PC.) / Reinigungsspiralenmitnehmer (2 STCK). / Meneur de turbolateur (2 Pc.) / Arreatador hélice rascador (2 pz).	25.00
4	41801603200A	Treccia Ø10(5mt) / Braid Ø10(5mt) / Zopf Ø10(5mt) / Tresse Ø10(5mt) / Trenza Ø10(5mt)	58.00
5	41151600100	Pannello vermiculite coperchio / Vermiculite cover / Deckel aus Vermiculite / Couvercle en vermiculite / Tapa en vermiculite	33.00
6	41411608940V	Coperchio struttura caldaia nero / Boiler black cover / Schwarz Kelleldeckel / Couvercle noir chaudière / Tapa negra caldera	96.00
7	41801499550	Kit scarico sovrappressione camera di combustione (pz.2) / Pressure relief kit (Pcs.2) / Bausatz überdruckablauf brennkammer (Stck.2) / Kit decompression chambre combustion (Pcs.2) / Kit descompresion camara combustion (Pcs.2)	25.00
8	41401605430	Traversa leve movim. Turb. / Turbolator handling crossbeam / Turbolatorstange Träger / Traverse tige turbolateur / Traversa asta rascador	56.00