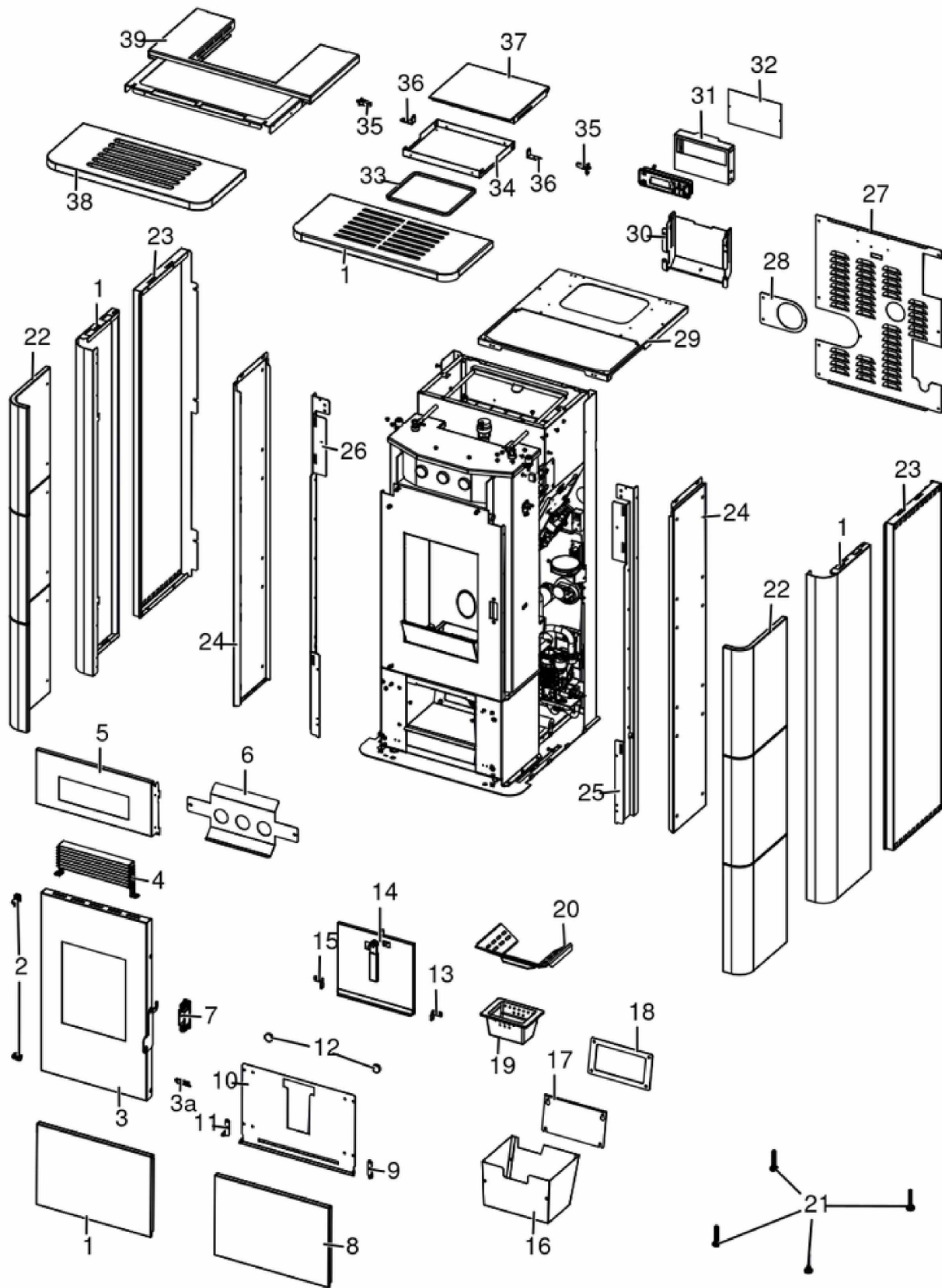


IDRO RIVER3 23 H2O

Gruppo estetico / Aesthetic group / Ästhetische Gruppe / Groupe esthétique / Grupo estético

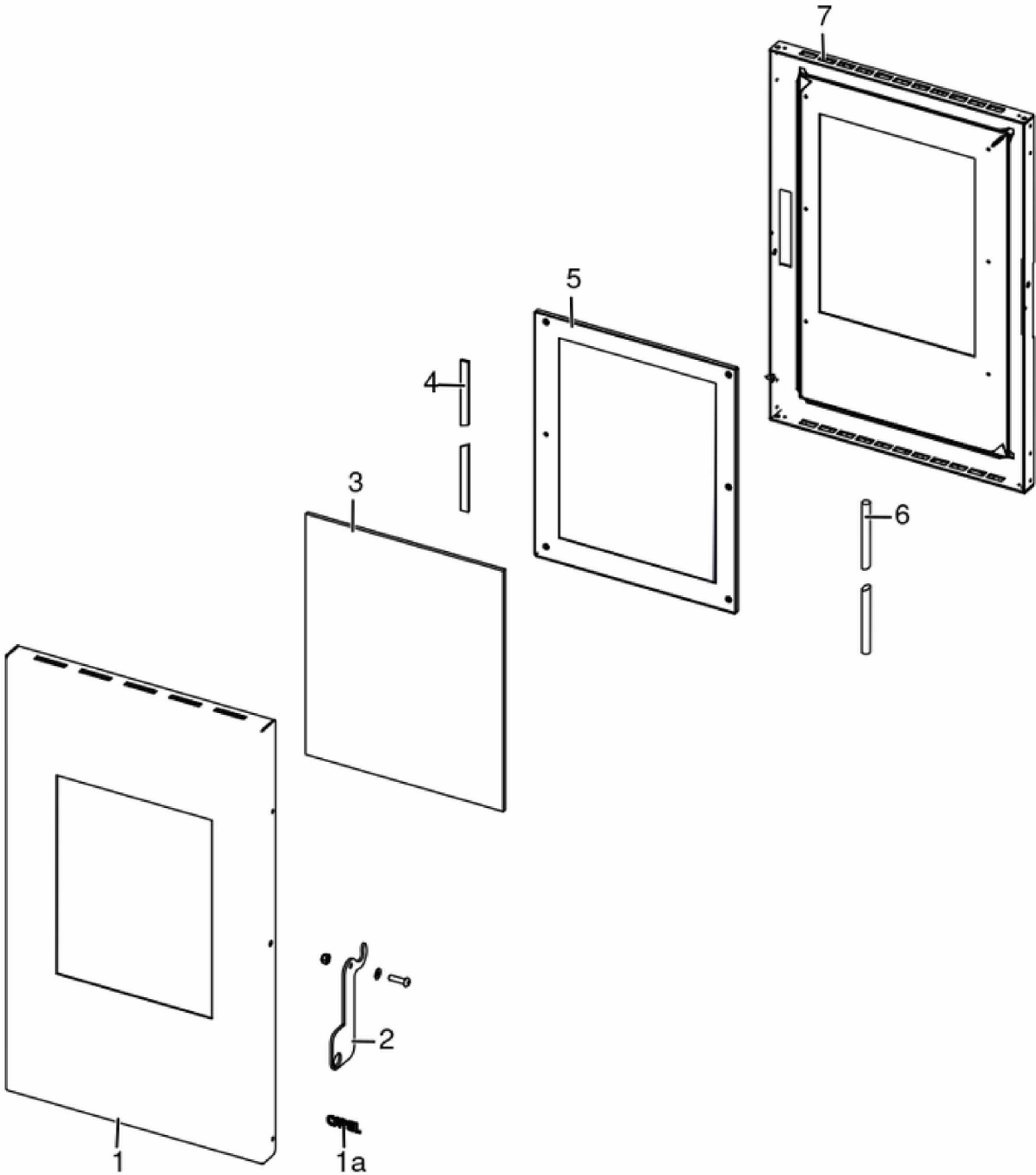


| N° | Codice/Code | Descrizioni / Description / Beschreibung / Description / Descripcion | Prezzo (€) |
|----|---------------|---|------------|
| 1 | 6921001 | Rivestimeto bianco / White cladding / Weisse Verkleidung / Habillage blanc / Rivestimiento blanco | 163.00 |
| 1 | 6921002 | Rivestimeto rosso / Red cladding / Rote Verkleidung / Habillage rouge / Rivestimiento rojo | 163.00 |
| 1 | 6921003 | Rivestimeto Antracite / Anthracite cladding / Verkleidung Anthrazit / Habillage Anthracite / Rivestimiento Antracitan | 163.00 |
| 1 | 6921004 | Rivestimeto light Bronze / Light Bronze cladding / Verkleidung Light Bronze / Habillage Light Bronze / Rivestimiento Light Bronze | 163.00 |
| 1 | 6921005 | Rivestimeto Titanium / Titanium cladding / Verkleidung Titanium / Habillage Titanium / Rivestimiento Titanium | 163.00 |
| 2 | 412008063 | Cerniere porta fuoco (2 pz) / Fire door hinge (2pcs) / Scharnier Feuertür (2 Stck) / Charnière porte foyer (2 pcs) / Bisagra puerta del hogar (2 pz) | 27.00 |
| 3 | 4D37021001 | Porta / Door / Tür / Porte / Puerta | 219.00 |
| 3a | 4D12013039 | Logo Cadel / Cadel logo / Cadel Logo / Cadel logo / Cadel logo | 25.00 |
| 4 | 4D24017508440 | Griglia / Grille / Gitter / Grille / Rejilla | 71.00 |
| 5 | 4D14021231400 | Pannello superiore / Upper panel / Paneel oben / Panneau supérieur / Panel superior | 52.00 |
| 6 | 4D1411737830V | Frangicalore mascherina / Deflector / Leitblech / Déflecteur / Deflector | 28.00 |
| 7 | 437016033 | Gruppo chiusura porta focolare / Fire door closing group / Feuerraumtürschließgruppe / Groupe de fermeture de la porte du foyer / Grupo de cierre de la puerta del hogar | 53.00 |
| 8 | 4D12521503091 | Maiolica frontale inferiore rosso / Red frontal lower majolica / Vordere untere rote Kachel / Faïence frontal inférieure rouge / frontal inferior rojo en cerámica | 219.00 |
| 8 | 4D12521503094 | Maiolica frontale inferiore avorio / Ivory frontal lower majolica / Vordere untere Elfenbein Kachel / Faïence frontal inférieure ivoire / frontal inferior marfil en cerámica | 219.00 |
| 8 | 4D12521503096 | Maiolica frontale inferiore bianca / White frontal lower majolica / Vordere untere Weisse Kachel / Faïence frontal inférieure blanche / frontal inferior blanco en cerámica | 219.00 |
| 9 | 4D14021211300 | Cerniera destra porta / Right door hinge / Rechter Türgriff / Charnière droite porte / Bisagra derecha puerta | 22.00 |
| 10 | 4D14021251300 | Supporto rivestimento inferiore / Lower cladding support / Untere Verkleidungshalterung / Support revetement inférieur / Soporte rivestimiento inferior | 52.00 |
| 11 | 4D14021221300 | Cerniera sinistra porta / Left door hinge / Linker Türgriff / Charnière gauche porte / Bisagra izquierda puerta | 22.00 |
| 12 | 4D120156010 | Calamita circolare / Round magnet / Rundemagnet / Aimant circulaire / Iman circular | 22.00 |
| 13 | 4141162393000 | Cerniera destra / Right hinge / Rechtes Scharnier / Charnière droite / Bisagra derecha | 15.00 |
| 14 | 437016077 | Porta cassetto cenere (2 pz) / Ash drawer door (2 pcs) / Tür des Aschenkastens (2 stck) / Porte tiroir à cendres (2 pcs) / Puerta cajón ceniza (2 pzs) | 124.00 |
| 15 | 4141162403000 | Cerniera sinistra / Left hinge / Linkes Scharnier / Charnière gauche / Bisagra izquierda | 15.00 |
| 16 | 437016041 | Cassetto cenere / Ash drawer / Aschekasten / Tiroir à cendres / Cajón cenizas | 63.00 |
| 17 | 41401605530 | Tappo camera fumi / Plug fumes chamber / Deckel Raumrauch / Bouchon chambre fumés / Tapón camara humos | 20.00 |
| 18 | 41801601300 | Guarnizione tappo camera fumi / Smoke compartment plug gasket / Dichtung Rauchabzugklappe / Joint clapet compartiment fumées / Junta tapón compartimento humos | 19.00 |
| 19 | 41301602601V | Braciere ghisa / Cast iron grate / Brenntopf aus Gusseisen / Brasero en fonte / Brasero de arrabio | 58.00 |
| 20 | 41411696230V | Griglia focolare / Hearth grate / Herd-Gitter / Grille de foyer / Rejilla de hogar | 59.00 |
| 21 | 41200906660 | Piedini di appoggio (4 pz) / Support feet (4 pcs) / Einstellfüße (4 Stck) / Vérins d'appui (4 pcs) / Pies de apoyo (4 pz) | 19.00 |
| 22 | 4D12521501091 | Maiolica laterale rosso / Majolica red side / Gekachelter Seitenteil Rot / Latéral en faïence rouge / Lateral en cerámica roja | 124.00 |
| 22 | 4D12521501094 | Maiolica laterale avorio / Majolica ivory side / Gekachelter Seitenteil Elfenbein / Latéral en faïence ivoire / Lateral en cerámica marfil | 124.00 |
| 22 | 4D12521501096 | Maiolica laterale bianco / Majolica white side / Gekachelter Seitenteil Weiss / Latéral en faïence blanc / Lateral en cerámica blanca | 124.00 |
| 23 | 4D14021209400 | Fianco / Side panel / Seitenteil / Latéral / Flanco | 113.00 |
| 24 | 6921006A | Kit fissaggio maioliche / Ceramics fastening kit / Keramiken Befestigungskit / Kit de fixation céramiques / Kit fijación cerámica | 80.00 |
| 25 | 4D1411729930V | Montante anteriore dx / Frontal vertical rod R. / Vordere Montageleiste R. / Montant antérieur D. / Montante anterior DCHO | 46.00 |
| 26 | 4D1411729830V | Montante anteriore sx / Frontal vertical rod L. / Vordere Montageleiste L. / Montant antérieur G. / Montante anterior IZDO | 46.00 |
| 27 | 41411610132P | Pannello posteriore nero / Rear black panel / Hinteres Schwarzes Paneel / Panneau postérieur noir / Panel posterior negro | 55.00 |
| 28 | 41401629910 | Supporto tubi fumi / Smoke pipe suport / Rauchrohr Halterung / Support tuyau fumées / Soporte tubo humos | 11.00 |
| 29 | 41411686030V | Supporto / Support / Stütze / Support / Soporte | 56.00 |
| 30 | 4D14116853300 | Supporto display / Display support / Halterung für Display / Support du display / Soporte de display | 35.00 |

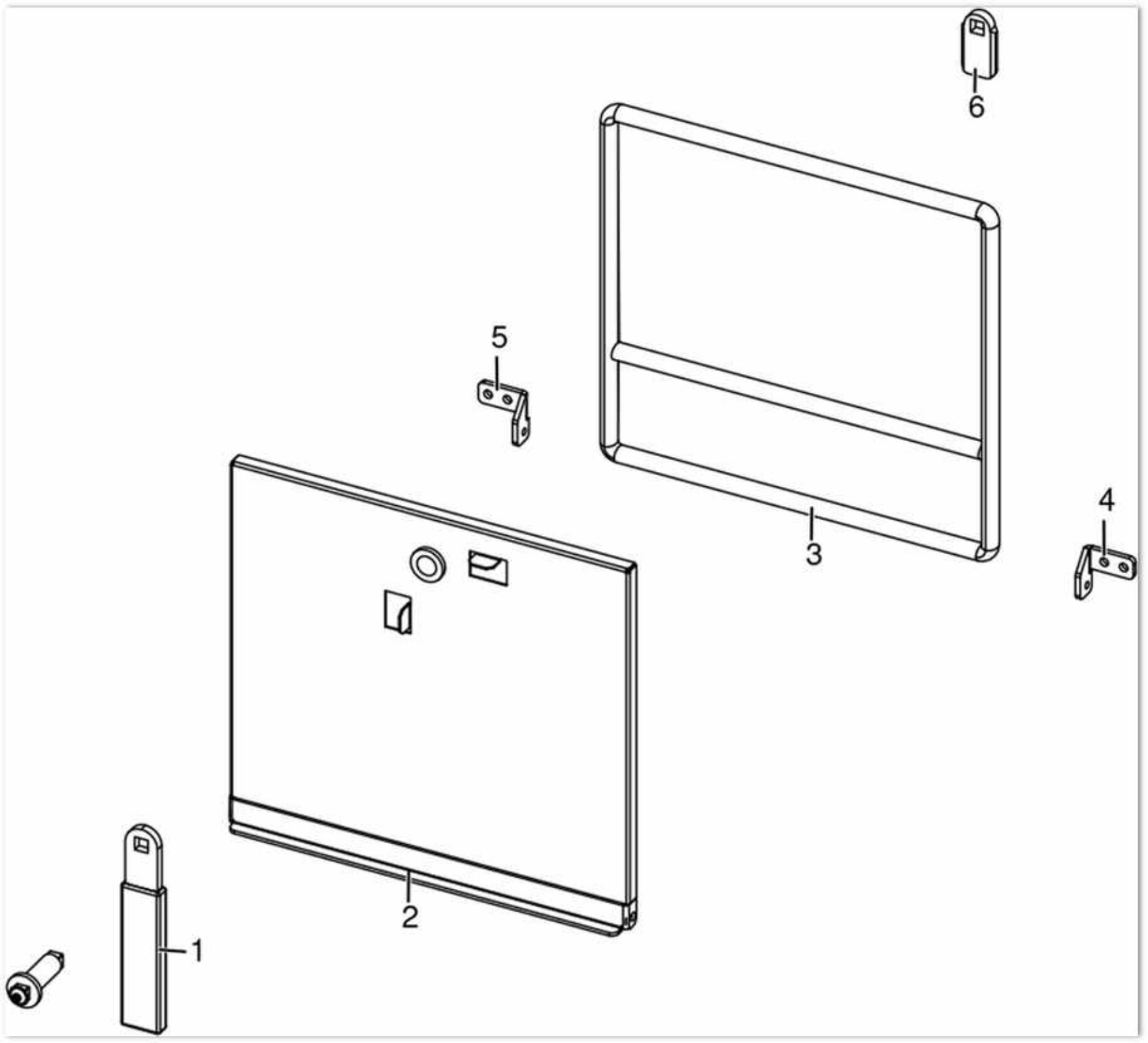
| | | | |
|-----------|----------------------|---|---------------|
| 31 | 4D1411684930P | Supporto display / Display support / Halterung für Display / Support Affichage / Soporte del Monitor | 33.00 |
| 32 | 4D1401631310 | Protezione del cavo display / Display cable protection / Display-Kabel Schützung / Protection câble display / Protección cable de display | 19.00 |
| 33 | 4D18013016 | Guarnizione 155X190 mm / Gasket 155X190 mm / Dichtung 155x190 mm / Joint 155X190 mm / Junta 155X190 mm | 34.00 |
| 34 | 41411684830P | Contro coperchio / Cover stopper / Gegen Deckel / Contre couvercle / Contra tapa | 0.00 |
| 35 | 4D14013054C | Cerniera a innesto (2 pz) / Hinge (2 pc) / Scharnier (2 Stck) / Charnière (2 pcs) / Bisagra (2 pzs) | 28.00 |
| 36 | 4D1411685430P | Angolare supporto coperchio pellet / Angular pellet cover / Eckig Deckel / Angulaire couvercle Pellet / Angular tapa | 19.00 |
| 37 | 4D14116850300 | Coperchio serbatoio nero / Black hopper cover / Schwarze Deckel Pelletbehälter / Couvercle noir réservoir / Tapa negra depósito | 49.00 |
| 38 | 4D12521502091 | Top maiolica rosso / Red Majolica top plate / Rote Topplatte / Dessus en faïence rouge / Top en cerámica rojo | 147.00 |
| 38 | 4D12521502094 | Top maiolica avorio / Ivory Majolica top plate / Topplatte Elfenbein / Dessus en faïence ivoire / Top en cerámica marfil | 147.00 |
| 38 | 4D12521502096 | Top maiolica bianco / White Majolica top plate / Topplatte Weiss / Dessus en faïence blanc / Top en cerámica blanco | 147.00 |
| 39 | 4D14021208400 | Top / Top / Abdeckplatte / Dessous / Top | 134.00 |

IDRO RIVER3 23 H2O

Porta fuoco / Fire door / Feuertür / Porte foyer / Puerta hogar

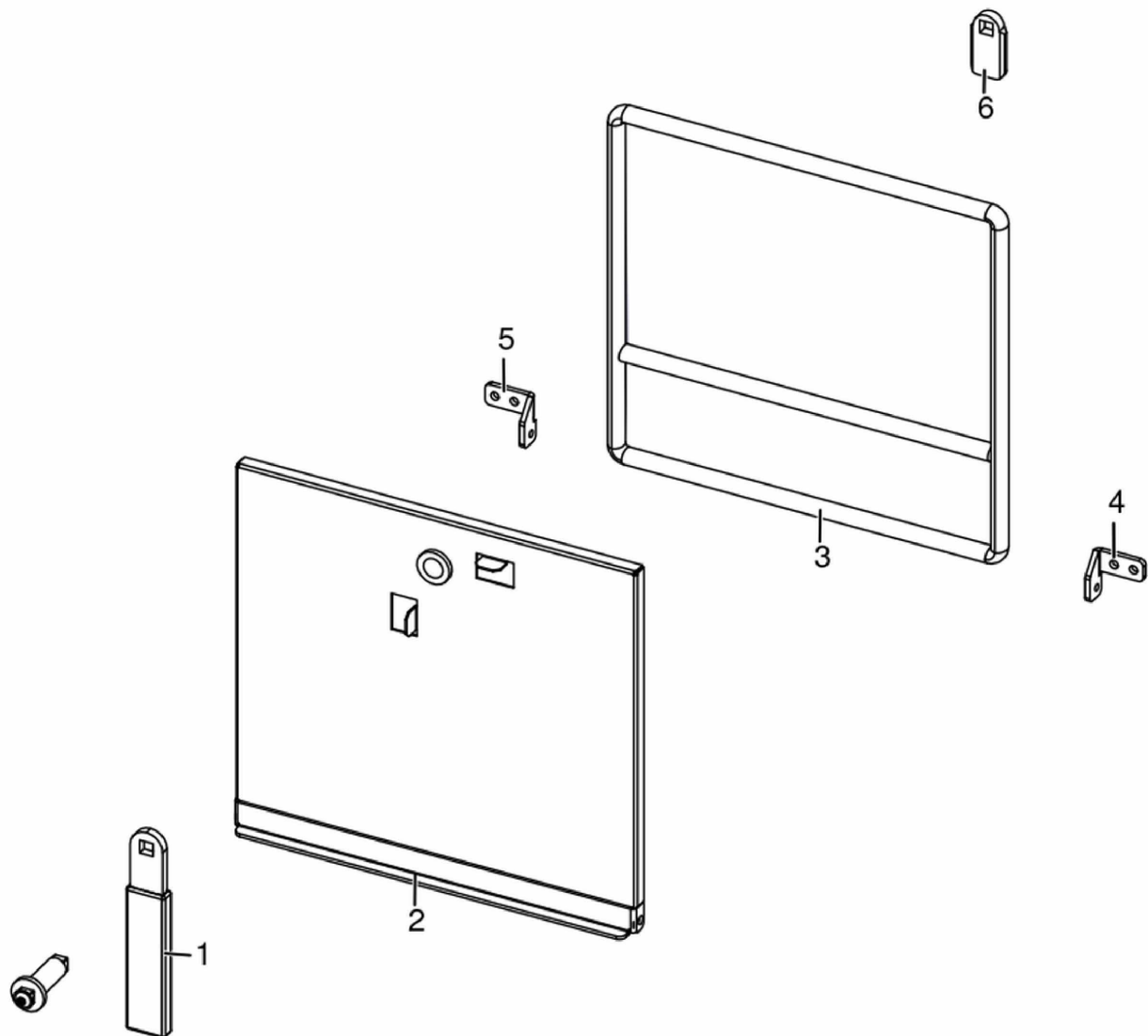


| N° | Codice/Code | Descrizioni / Description / Beschreibung / Description / Descripción | Prezzo (€) |
|-----------|----------------------|---|---------------|
| 1 | 4D14021241400 | Porta / Door / Tür / Porte / Puerta | 71.00 |
| 1a | 4D12013039 | Logo Cadel / Cadel logo / Cadel Logo / Cadel logo / Cadel logo | 25.00 |
| 2 | 4D14116851400 | Gancio maniglia nera / Black handle hook / Schwarzer Griffhaken / Crochet de poignée noir / Gancho de mango negro | 25.00 |
| 3 | 4D1701900500 | Vetroceramico / Glass / Glaskeramikscheibe / Vitrocéramique / Cristal cerámico | 67.00 |
| 4 | 4D18013008A | Guarnizione 10x3 (5m) / Gasket 10x3 (5m) / Dichtung 10x3 (5m) / Joint 10x3 (5m) / Junta 10x3 (5m) | 35.00 |
| 4 | 4D18013008C | Guarnizione 10x3 (100m) / Gasket 10x3 (100m) / Dichtung 10x3 (100m) / Joint 10x3 (100m) / Junta 10x3 (100m) | 287.00 |
| 5 | 4D1411925930 | Profilo fermavetro / Fastening bracket profile / Haltebügel für Scheibebefestigung Profil / Profil patte de fixation / Perfil fermacristal | 39.00 |
| 6 | 4D18013021A | Guarnizione treccia nera D.10 - 5 M / Black twist gasket D.10 - 5 M / Dichtung D.10 - 5 M / Joint tresse noire D.10 - 5 M / Junta D.10 - 5 M | 33.00 |
| 6 | 4D18013021B | Guarnizione treccia nera D.10 - 50 M / Black twist gasket D.10 - 50 M / Dichtung D.10 - 50 M / Joint tresse noire D.10 - 50 M / Junta D.10 - 50 M | 144.00 |
| 7 | 4D14119258400 | Porta focolare / Fireplace door / Feuerstelle Tür / Porte foyer / Puerta hogar | 110.00 |

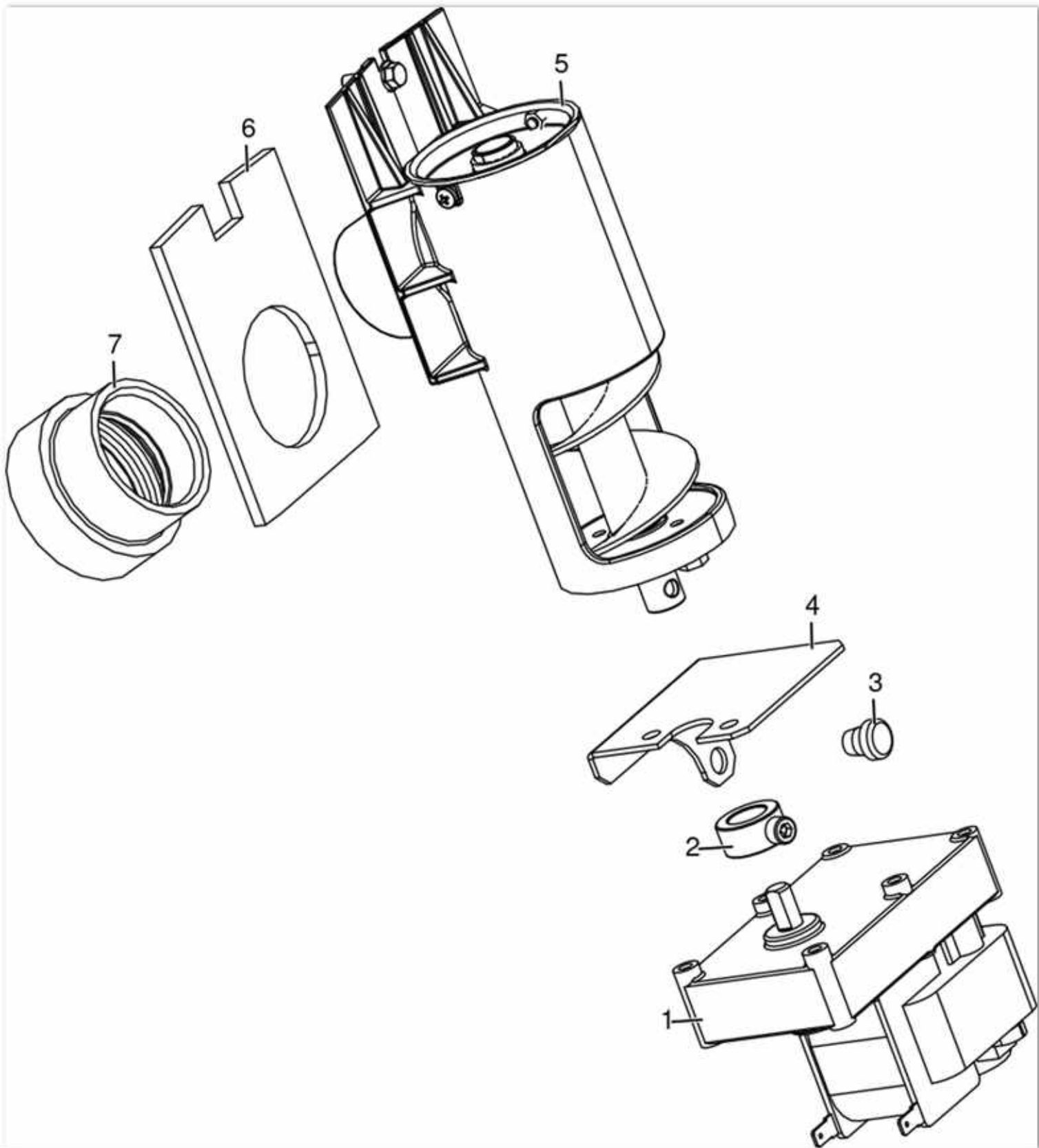


IDRO RIVER3 23 H2O

Porta cenere / Ash door / Ashentür / Porte cendre / Puerta ceniza

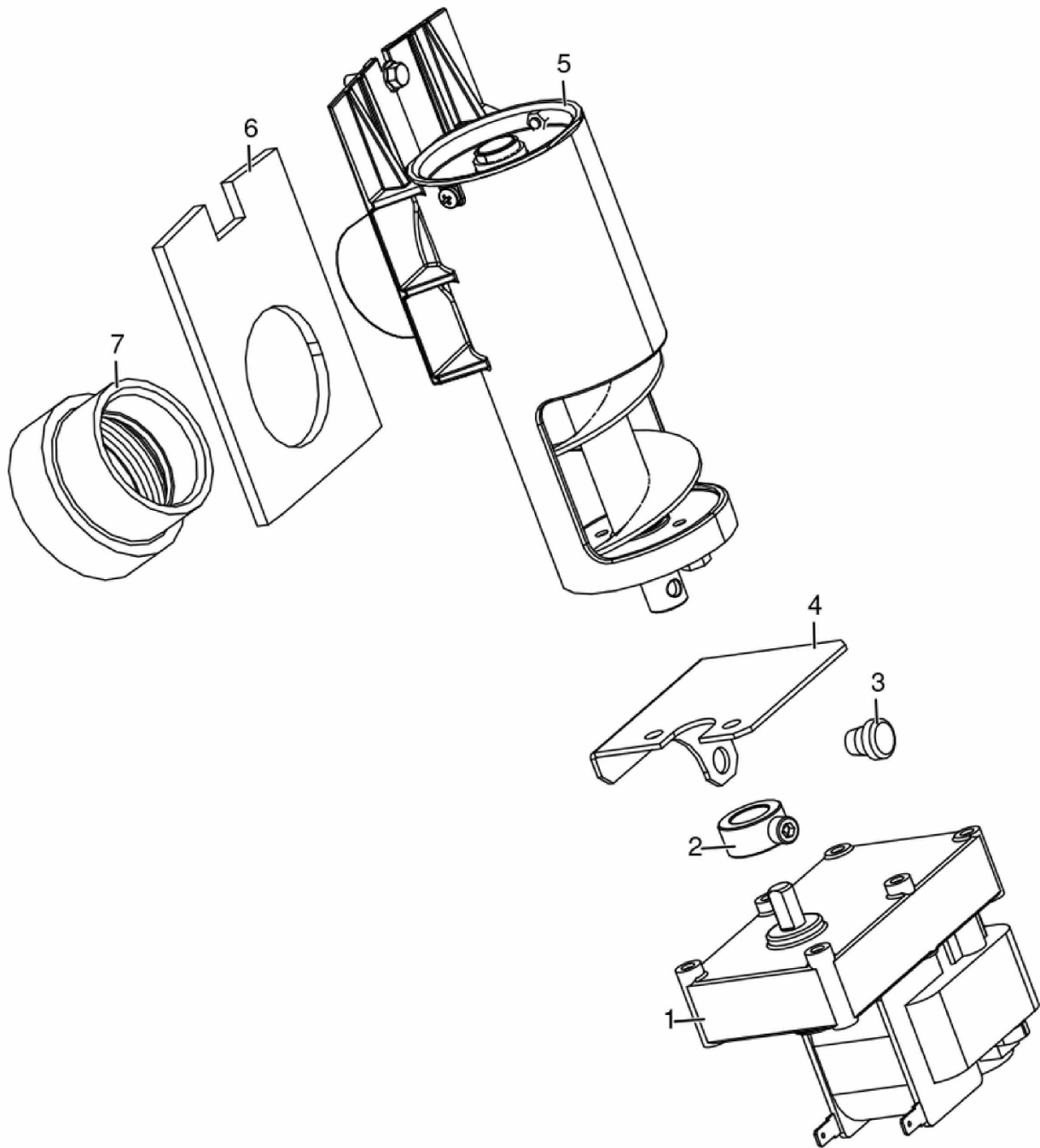


| N° | Codice/Code | Descrizioni / Description / Beschreibung / Description / Descripción | Prezzo (€) |
|----|---------------|---|------------|
| 1 | 41411621600 | Maniglia / Handle / Griff / Poignée / Maneta | 20.00 |
| 2 | 41421605640V | Porta cenere / Ash drawer / Aschenkastens / Tiroir à cendres / Cajón ceniza | 54.00 |
| 3 | 412007003A | Cordino fibro ceramica Ø 14 mm (5 m) / Ceramic fibre cord Ø 14 mm (5 m) / Keramikfaserschnur Ø 14 mm (5 m) / Cordon en fibre céramique Ø 14 mm (5 m) / Junta a cuerda de fibra cerámica Ø 14 mm (5 m) | 44.00 |
| 3 | 412007003B | Cordino fibroceramico Ø 14 (50MT) / Ceramic fibre cord Ø 14 mm (50 m.) / Keramikfaserschnur Ø 14 mm (50 m) / Cordon en fibre céramique Ø 14 mm (50 m) / Junta a cuerda de fibra cerámica Ø 14 mm (50 m) | 306.00 |
| 4 | 4141162393000 | Cerniera destra / Right hinge / Rechtes Scharnier / Charnière droite / Bisagra derecha | 15.00 |
| 5 | 4141162403000 | Cerniera sinistra / Left hinge / Linkes Scharnier / Charnière gauche / Bisagra izquierda | 15.00 |
| 6 | 41201608400 | Serratura porta cassetto cenere / Door lock for ash drawer / Schloss für Aschenkastentür / Serrure de porte du tiroir à cendres / Cerradura puerta cajón ceniza | 20.00 |



IDRO RIVER3 23 H2O

Gruppo caricamento pellet / Pellet feed group / Pellet Fördergruppe / Groupe de chargement pellet / Grupo de carga pellet

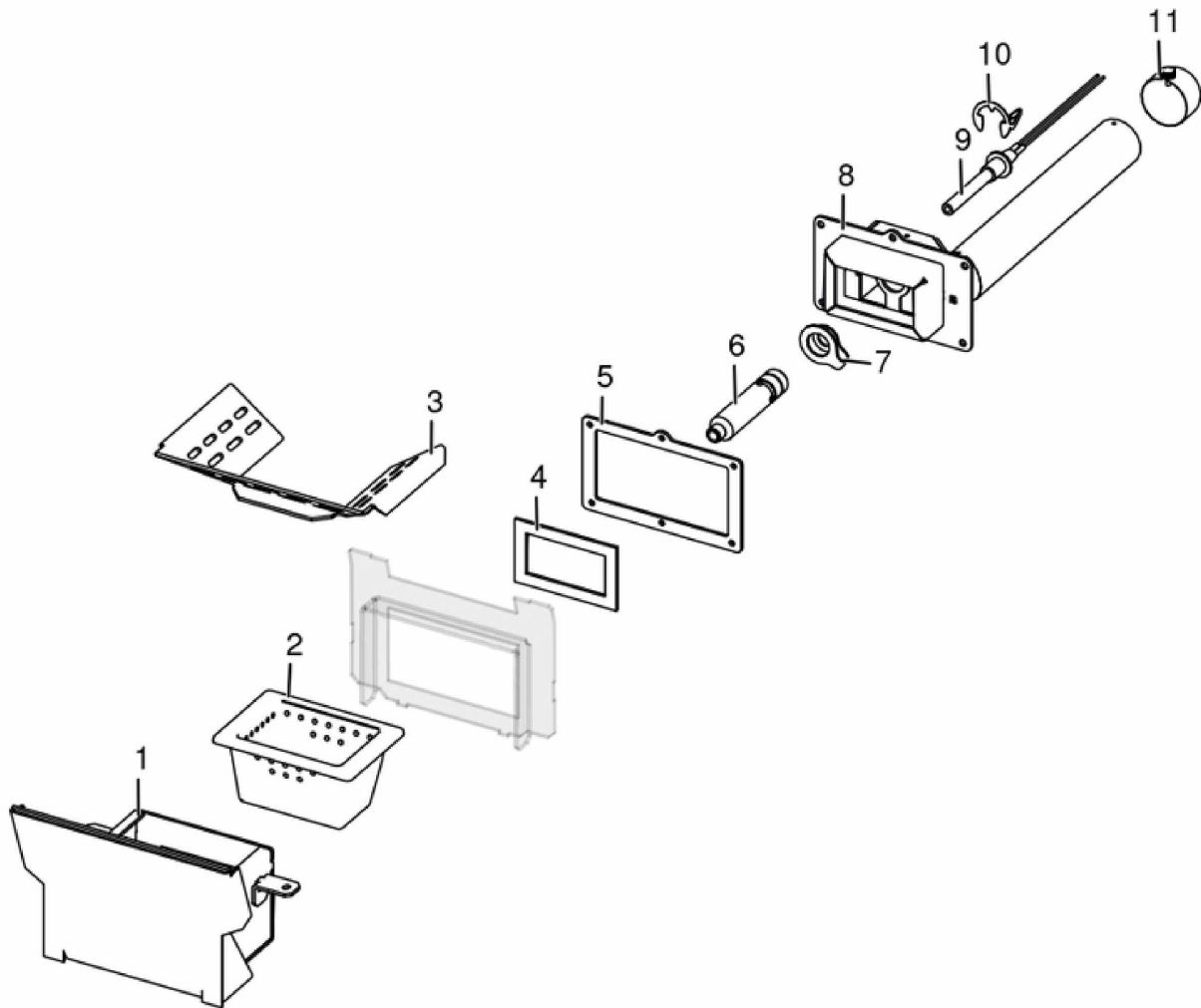


| N° | Codice/Code | Descrizioni / Description / Beschreibung / Description / Descripcion | Prezzo (€) |
|----|-------------|--|------------|
| 1 | 41450901600 | Motoriduttore 3,3 rpm Merkle Korff / Reduction motor 3,3 rpm Merkle Korff / Getriebemotor 3,3 RPM MERKLE KORFF / Motoréducteur 3,3 RPM MERKLE KORFF / Motorreductor 3,3 rpm Merkle Korff | 114.00 |
| 2 | 4120398 | Connettore motoriduttore-coclea / Reduction motor-feed screw connector / Verbindung Getriebemotor-Schnecke / Connecteur motoréducteur-vis sans fin / Conector motorreductor-cóclea | 22.00 |
| 3 | 4120180 | Gommino paracolpi (4PZ) / Rubber bumpers (4 pcs.) / Schlagschutzgummi (4 Stck) / Pièces caoutchouc antichoc (4 pcs) / Cauchitos anti-golpes (4 pz) | 21.00 |
| 4 | 41401606430 | Staffa fermo motoriduttore / Reduction motor bracket stop / Getriebemotor Bügelstopper / Butée étrier motoréducteur / Tope zuncho motorreductor | 21.00 |
| 5 | 41402002050 | Gruppo alimentazione completo / Complete feed screw / Komplette Förderschnecke / Vis sans fin complète / Coclea de carga completa | 99.00 |

| | | | |
|---|-------------|--|-------|
| 6 | 41802000300 | Guarnizione con ceramica gruppo alimentazione / Gasket with ceramic - power supply group / Dichtung mit Keramik - Stromversorgungsgruppe / Joint avec céramique - groupe d'alimentation / Junta con cerámica - grupo de alimentación | 15.00 |
| 7 | 41801702600 | Disaccoppiatore coclea / Feed screw gasket / Dichtung Pelletrutsche / Joint vis sans fin / Desacoplador cóclea | 18.00 |

IDRO RIVER3 23 H2O

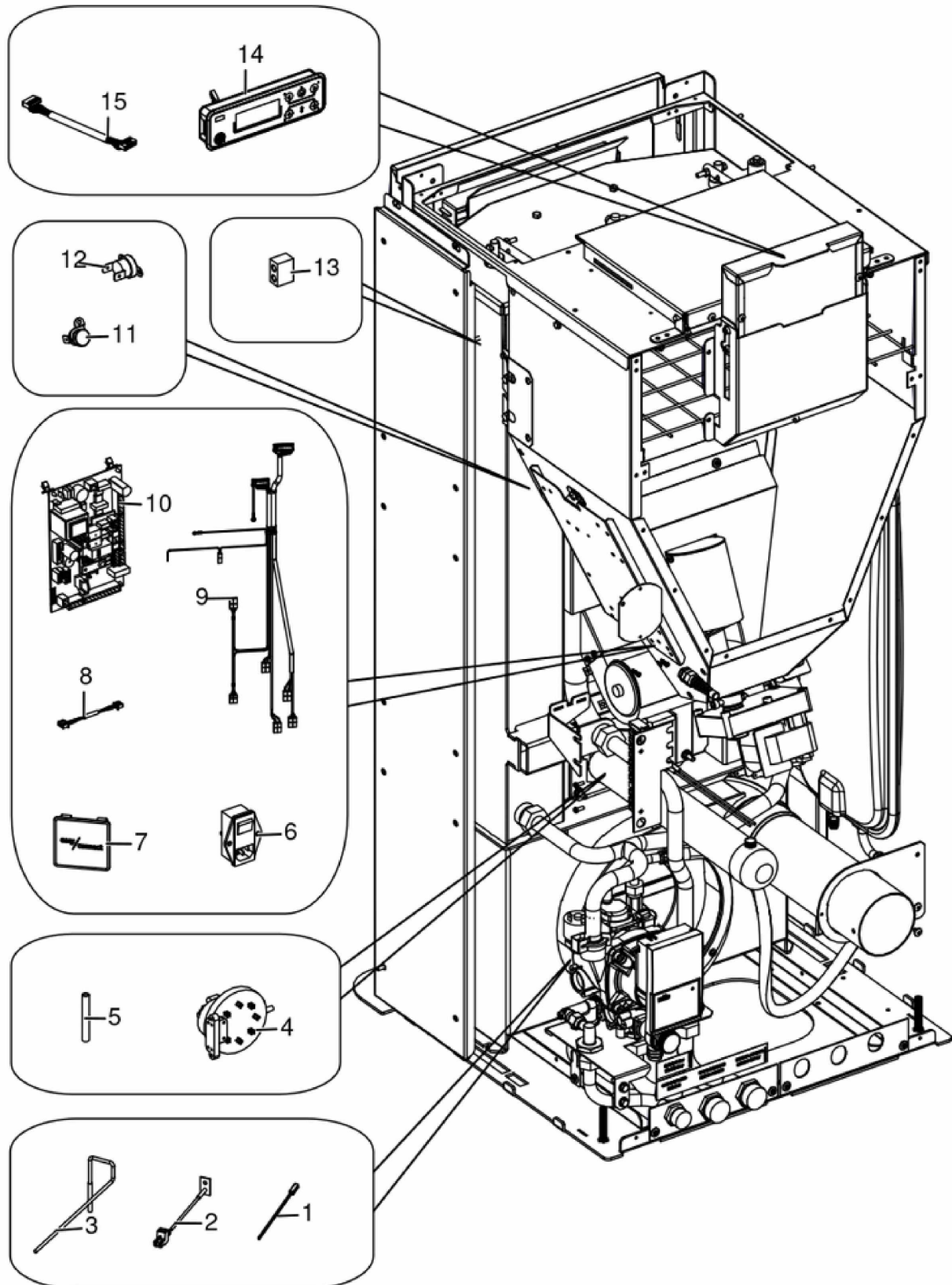
Gruppo accensione e aria comburente / Ignition and combustion air group / Entzündungs- und Verbrennungsluftgruppe / Groupe allumage et aire comburente / Grupo encendido y aire de combustion



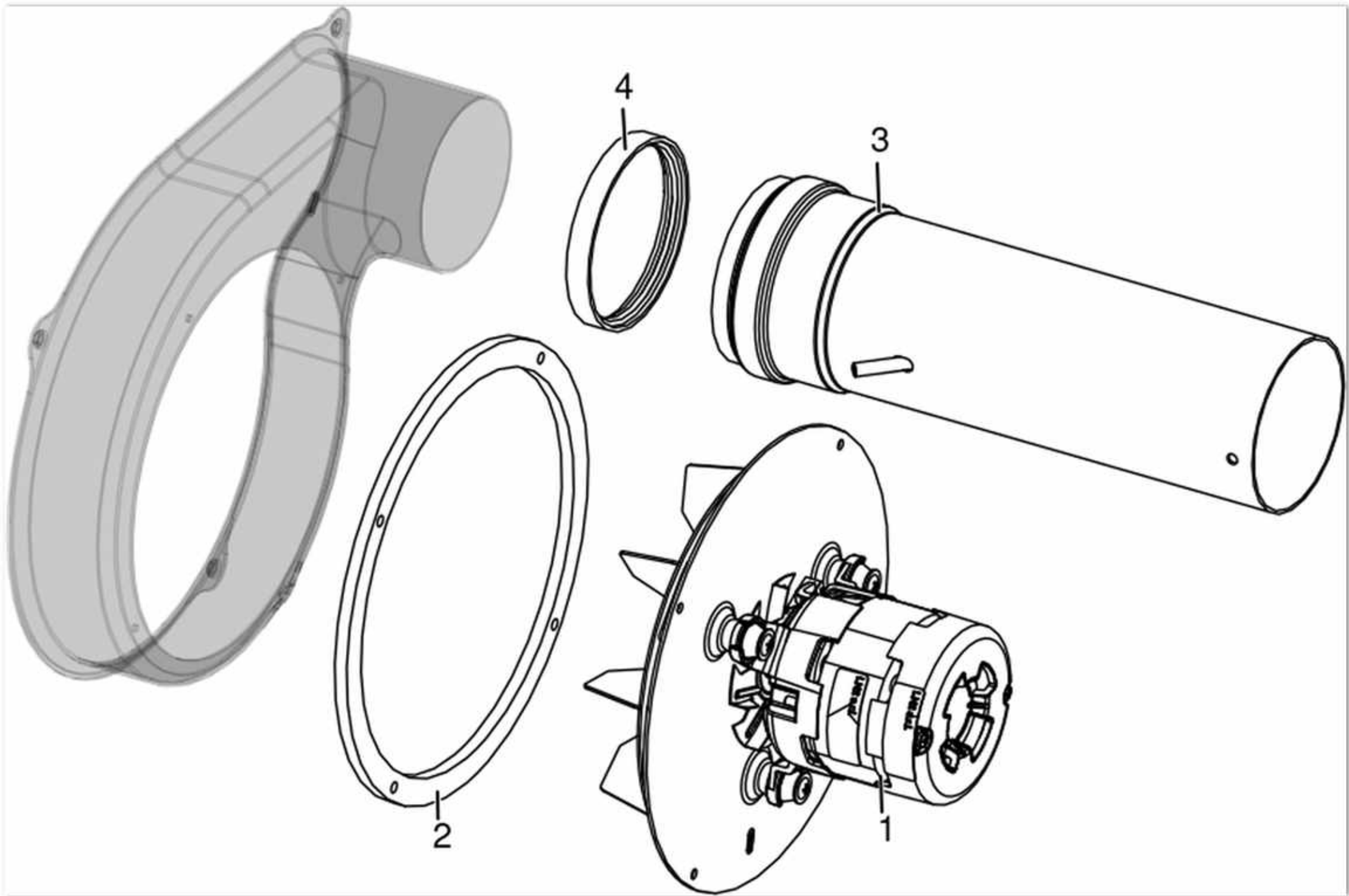
| N° | Codice/Code | Descrizioni / Description / Beschreibung / Description / Descripcion | Prezzo (€) |
|----|--------------|--|------------|
| 1 | 41411682441V | Tasca braciere / Grate poket / Brennertopf Tasche / Poche brasero / Bolsillo brasero | 192.00 |
| 2 | 41301602601V | Braciere ghisa / Cast iron grate / Brennertopf aus Gusseisen / Brasero en fonte / Brasero de arrabio | 58.00 |
| 3 | 41411696230V | Griglia focolare / Hearth grate / Herd-Gitter / Grille de foyer / Rejilla de hogar | 59.00 |
| 4 | 41801605800 | Guarnizione tasca braciere / Combustion pot container gasket / Brenntopfkasten Dichtung / Joint récipient brasero / Junta contenidor brasero | 25.00 |
| 5 | 418008027 | Guarnizione / Gasket / Dichtung / Joint / Junta | 22.00 |
| 6 | 41601800300 | Condotto candeledda hydro / Hydro sparkplug duct / Hydro Zündkerzenkanal / Conduit bougie hydro / Conducto bujía hydro | 39.00 |
| 7 | 41801604300 | Guarnizione condotto candeledda / Sparkplug conduit gasket / Dichtung Zündkerzenkanal / Joint conduit bougie / Junta conducto bujía | 19.00 |
| 8 | 41421608341V | Scatola aria comburente base / Combustion air box / Verbrennungsluft Kasten / Boîte air de combustion / Caja aire de combustión | 79.00 |
| 9 | 41451308101 | Cartuccia ceramica / Sparkplug / Keramik Zündkerze / Bougie ceramique / Bujía | 77.00 |
| 9 | 41451308150 | Kit 25 candelette 315 Watt / 25 Sparkplugs 315 Watt kit / Bausatz 25 Zündkerzen 315 Watt / Kit 25 Bougies 315 Watt / Kit 25 Bujías 315 Watt | 1,637.00 |
| 10 | 41201601500 | Anello arresto candeledda / Sparkplug stop / Zündkerzestopper / Butée bougie / Tope bujía | 24.00 |
| 11 | 41401036100 | Filtro aria comburente / Anti-dust filter / Staubschutzfilter / Filtre antipoussière / Filtro de protección polvo | 21.00 |

IDRO RIVER3 23 H2O

Gruppo elettrico ed elettronico / Electrical and electronic group / Elektrische und elektronische Gruppe /
 Groupe électrique et électronique / Grupo eléctrico y electrónico

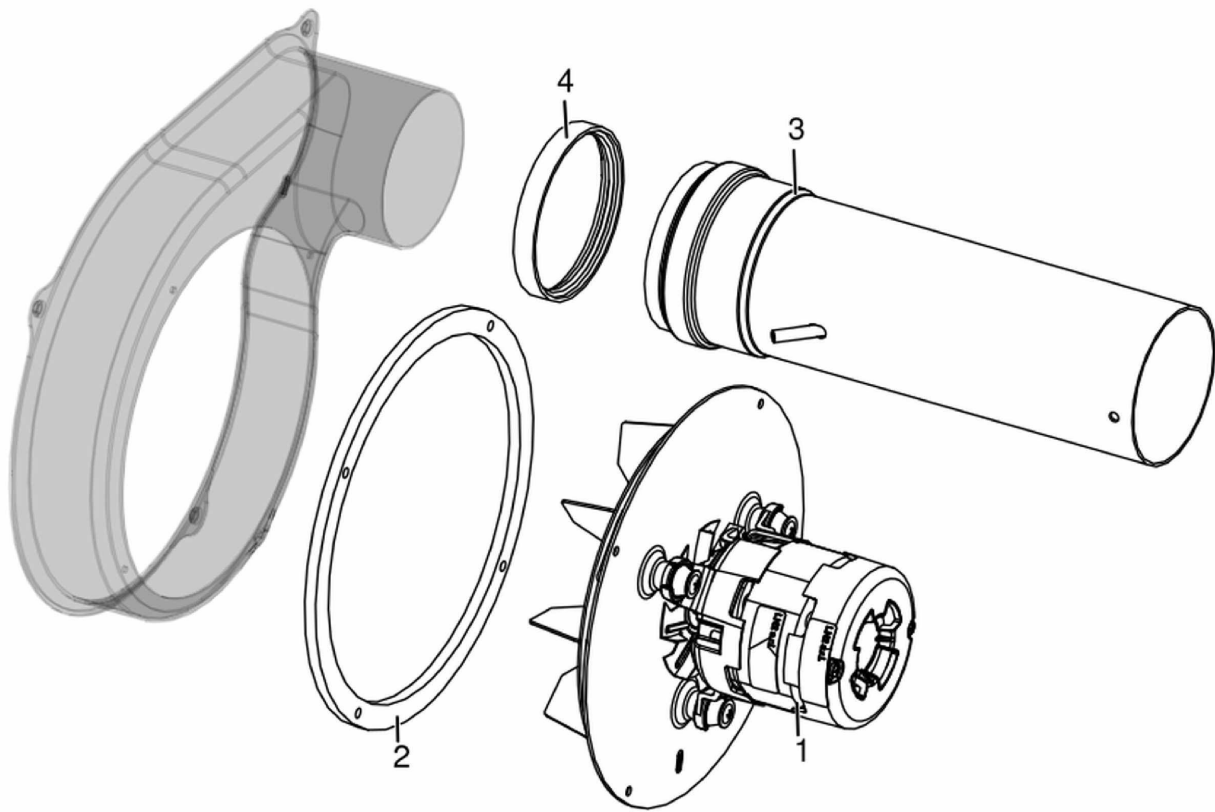


| N° | Codice/Code | Descrizioni / Description / Beschreibung / Description / Descripcion | Prezzo (€) |
|----|--------------|--|------------|
| 1 | 4160386 | Sonda temperatura ambiente/acqua / Room/Water temperature sensor / Raum- Wassertemperaturfühler / Sonde température ambiance/eau / Sonda temperatura ambiente/agua | 21.00 |
| 2 | 41451002300 | Sonda fumi / Smoke sensore / Rauchgassonde / Sonde fumées / Sonda humos | 31.00 |
| 3 | 4012062 | Sonda NTC a filo per acqua / Water NTC temperature sensor / Wassertemperaturfühler NTC / Sonde température eau NTC / Sonda temperatura agua NTC | 22.00 |
| 4 | 4160482 | Pressostato 0,4 mbar / Pressure gauge 0,4 mbar / Druckwächter 0,4 mbar / Pressostat 0,4 mbar / Presostato 0,4 mbar | 38.00 |
| 5 | 4120631A | Tubicino siliconico - 5m / Silicon tube - 5m / Silikonrohr - 5m / Petit tuyau en silicone - 5m / Tubo silicónico - 5m | 22.00 |
| 6 | 4160193 | Pulsante accensione / On/Off button / Zündungstaste / Touche d'allumage / Botón encendido | 28.00 |
| 7 | 4D145201030 | Modulo Wi-fi / Wi-fi module / Wi-Fi-Modul / Module Wi-fi / Módulo wifi | 75.00 |
| 8 | 4D1452002500 | Cavo flat 7 vie / Flat cable / Flat-Kabel / Cable flat / Cables flat | 22.00 |
| 9 | 41451604300 | Cablaggio elettrico base / Electrical wiring / Elektrische Verkabelung / Câblage électrique / Cableado eléctrico | 84.00 |
| 10 | 41452004400B | Scheda madre / Motherboard / Hauptplatine / Carte mère / Tarjeta madre | 244.00 |
| 11 | 412007004 | Clickson 110°C / Clickson 110°C / Clickson 110°C / Clickson 110°C / Clickson 110°C | 20.00 |
| 12 | 41450901100 | Clickson 95°C / Clickson 95°C / Clickson 95°C / Clickson 95°C / Clickson 95°C | 20.00 |
| 13 | 412008051 | Supporto sensore fumi / Smoke sensore holder / Haltebügel rauchsonde / Support capteur fumées / Soporte sensor humos | 19.00 |
| 14 | 4D1451303300 | Pannello comandi grafico / Graphic control panel / Graphische Bedienblende / Tableau de commande / Panel de mandos gráfico | 138.00 |
| 15 | 41451201900 | Cavo Flat L 1,4 M / Flat cable L 1,4 M / Flat Kable L 1,4 M / Câble Flat L 1,4 M / Cable Flat L 1,4 M | 21.00 |

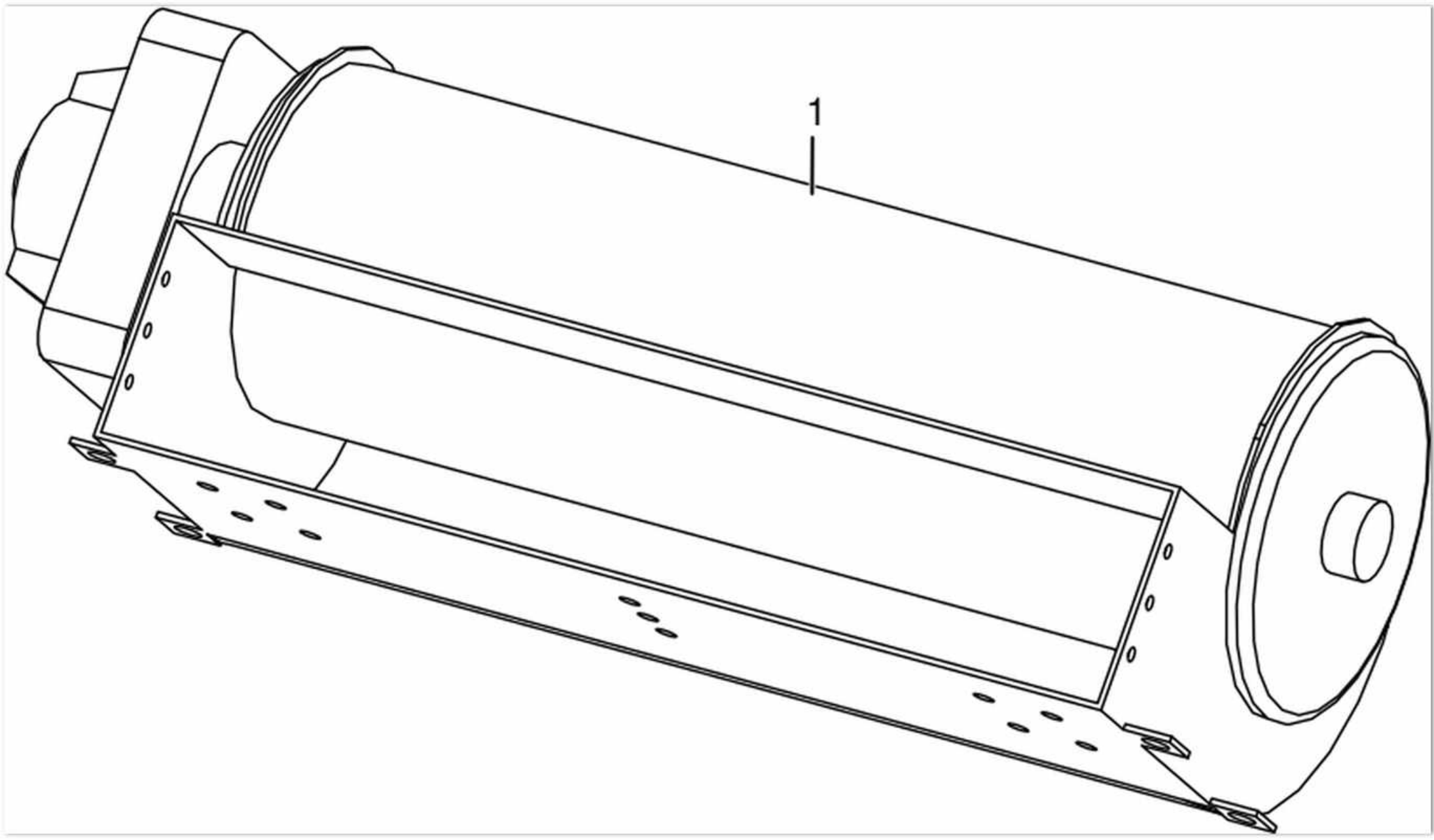


IDRO RIVER3 23 H2O

Gruppo fumi / Smoke group / Rauchgruppe / Groupe fumées / Grupo de humos

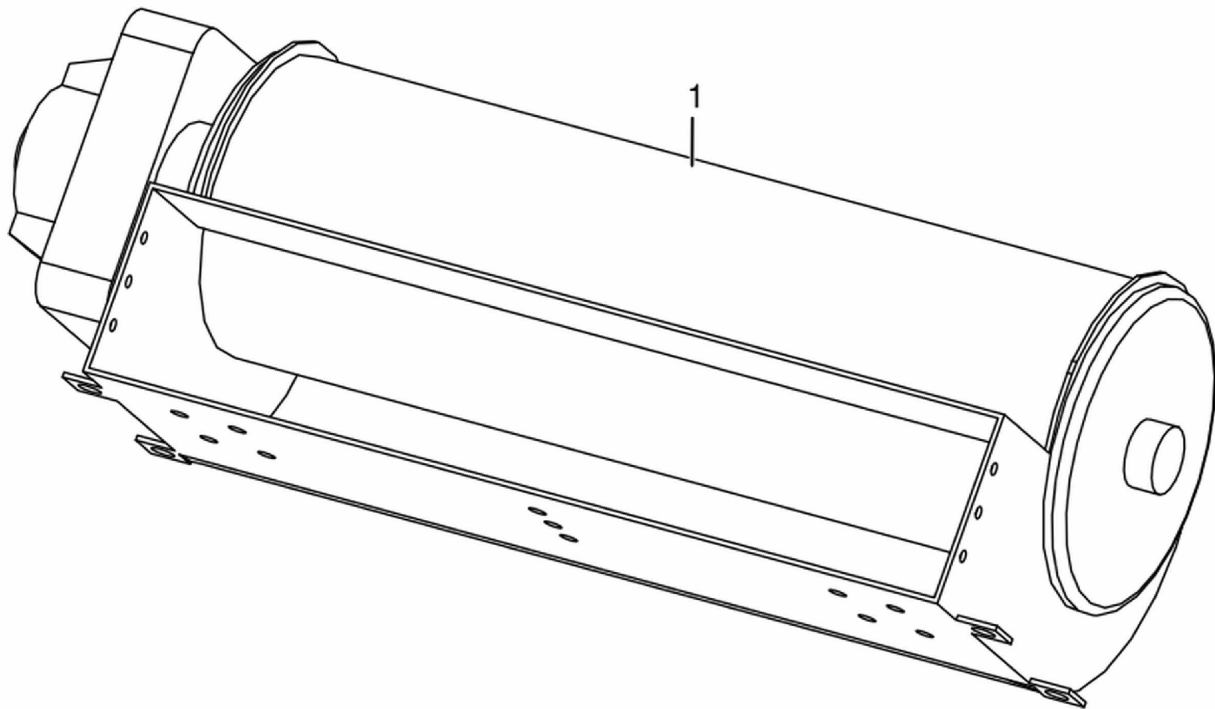


| N° | Codice/Code | Descrizioni / Description / Beschreibung / Description / Descripción | Prezzo (€) |
|----|-------------|---|------------|
| 1 | 41451600100 | Ventilatore fumi / Smokefan / Rauchgasgebläse / Ventilateur fumées / Ventilador humos | 210.00 |
| 2 | 41801301500 | Guarnizione adesiva SP 6 D210 / Adhesive Gasket SP 6 D210 / Haftenddichtung SP 6 D210 / Joint Adhesive SP 6 D210 / Junta Adhesiva SP 6 D210 | 20.00 |
| 3 | 41601601160 | Tubo fumi a innesto / Plug-in flue pipe / Plug-in Rauchrohr / Conduit de cheminée enfichable / Tubo de humos enchufable | 35.00 |
| 4 | 40120969 | Guarnizione siliconica Ø 8 / Silicon gasket Ø 8 / Silikonsichtung Ø 8 / Join en silicon Ø 8 / Junta de silicona Ø 8 | 19.00 |



IDRO RIVER3 23 H2O

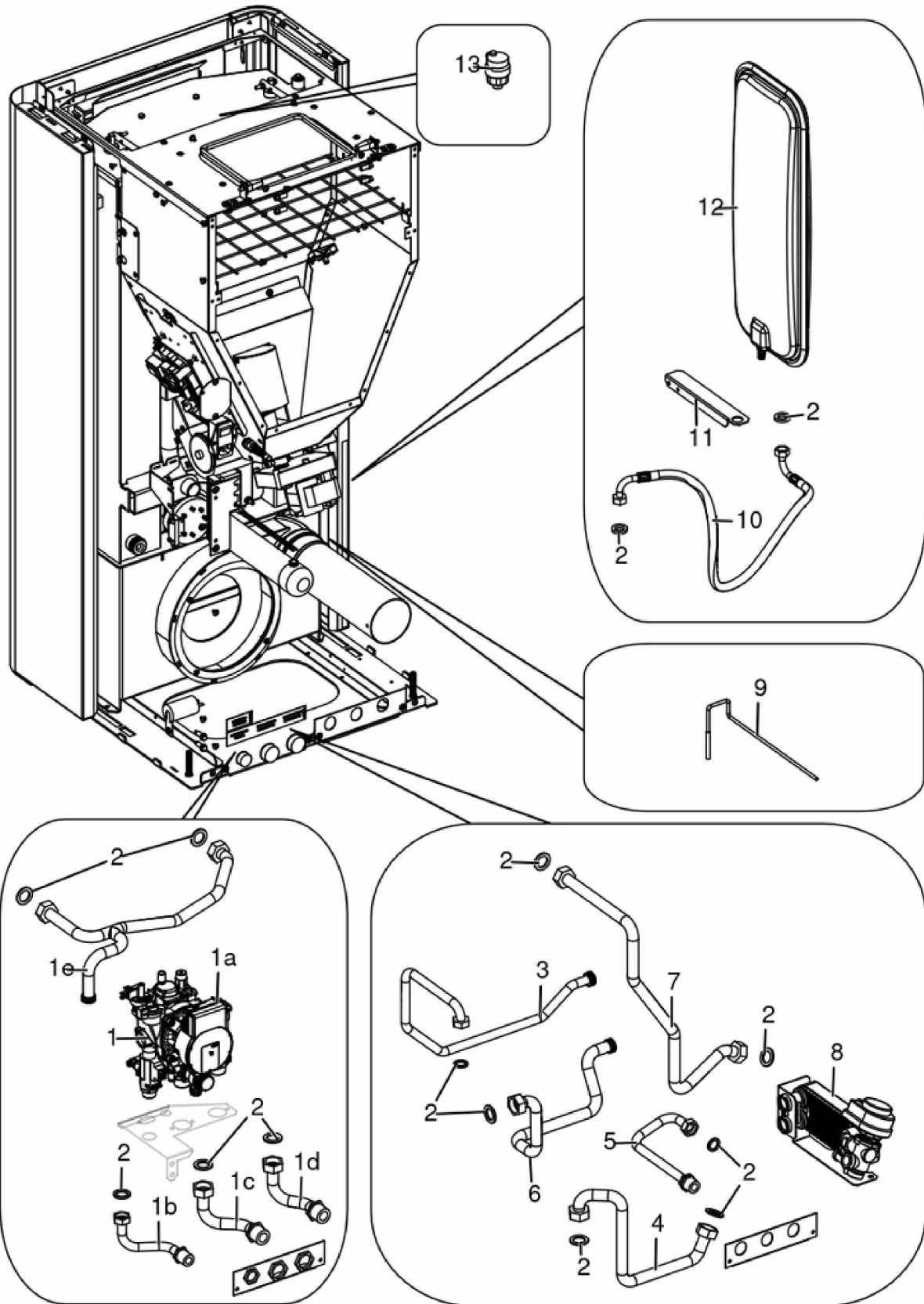
Gruppo ventilazione / Ventilation group / Lüftungsgruppe / Groupe de ventilation / Grupo de ventilación



| N° | Codice/Code | Descrizioni / Description / Beschreibung / Description / Descripción | Prezzo (€) |
|----|-------------|---|------------|
| 1 | 41451000300 | Ventilatore scambiatore aria calda / Hot air exchanger fan / Wärmeluftgebläse / Ventilateur échangeur air chaud / Ventilador intercambiador aire caliente | 55.00 |

IDRO RIVER3 23 H2O

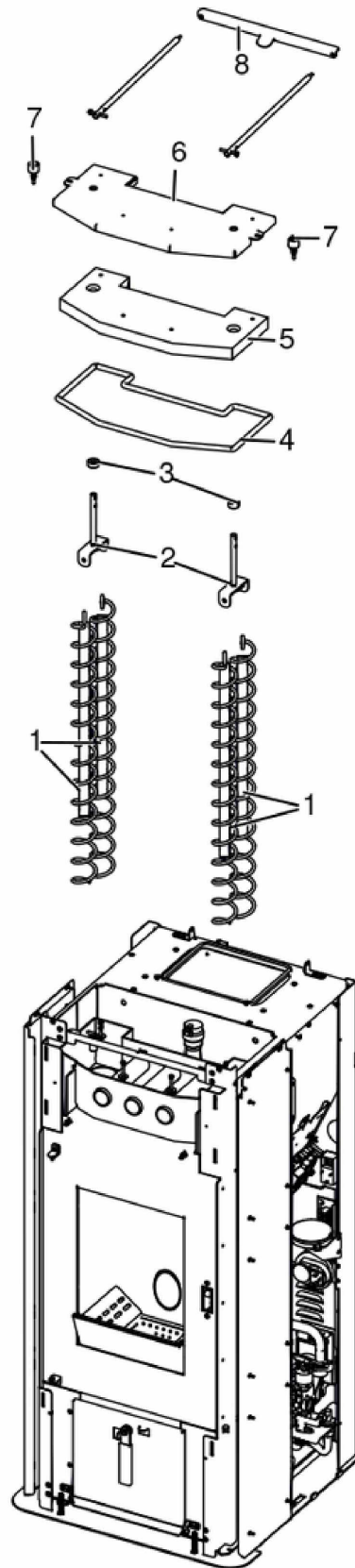
Gruppo componenti idraulici / Hydraulic components group / Hydraulische Komponenten / Groupe de composants hydrauliques / Grupo de componentes hidráulicos



| N° | Codice/Code | Descrizioni / Description / Beschreibung / Description / Descripcion | Prezzo (€) |
|-----------|--------------------|---|---------------|
| 1 | 41501601151 | Kit idraulico /acs AE / Hydraulic unit / dhw HE / Hydraulikeinheit/Braucwarmwasser HE / Unité hydraulique/ECS haut rendement / Unidad hidráulica/acs AE | 383.00 |
| 1a | 41502002100 | Circolatore Wilo Para 7 IPWM / Water circulation pump Wilo Para 7 IPWM / Umwälzpumpe Wilo Para 7 IPWM / Pompe de circulation Wilo Para 7 IPWM / Bomba de circulación agua Wilo Para 7 IPWM | 320.00 |
| 1a | 41501700700 | Flussostato / Flow switch / Strömungswächter / Fluxostat / Flujostato | 32.00 |
| 1a | 41501103300 | Valvola di sicurezza 3 bar / Maximum pressure valve 3 Bar / Sicherheitsventil 3 Bar / Soupape de pression maximale 3 Bar / Válvula máxima presión 3 Bar | 32.00 |
| 1a | 41451108000 | Pressostato H2O di minima / Pressur switch H2O / Druckwächter H2O / Pressostat H2O / Presostato H2O | 31.00 |
| 1b | 41501600400 | Tubo di carico caldaia / Boiler loading tube / Rohr für Kesseleinfüllung / Tuyau de chargement chaudière / Tubo de carga caldera | 35.00 |
| 1c | 41501600500 | Tubo ritorno impianto / Return tube / Rücklaufrohr / Tuyau retour / Tubo de regreso | 38.00 |
| 1d | 41501600700 | Raccordo mandata impianto / Delivery tube connection / Vorlaufrohr Verbindung / Raccord tuyau refoulement / Raccor tubo de envío | 38.00 |
| 1e | 41501600300 | Tubo circolazione caldaia / Boiler circulation tube / Rohr für Kesselumwälzung / Tuyau de circulation chaudière / Tubo de circulación caldera | 58.00 |
| 2 | 41207910 | Kit guarnizioni impianto idraulico / Hydraulic system gasket kit / Dichtungsbausatz für Hydraulikanlage / Kit de joints pour l'installation hydraulique / Kit de juntas de la instalación de fontanería | 34.00 |
| 3 | 41501601600 | Tubo ingresso sanitaria fredda / Domestic cold water inlet tube / Kaltes Sänitarwasser Eingangrohr / Tuyau d'entré eau sanitaire froid / Tubo de entrada agua sanitaria fria | 36.00 |
| 4 | 41501601300 | Tubo scambiatore / Tube exchanger / Rohr Wärmetauscher / Tuyau échangeur / Tubo intercambiador | 30.00 |
| 5 | 41501601700 | Tubo uscita sanitaria caldaia / Domestic water outlet tube / Sänitarwasser Ausgangrohr / Tuyau de sortie eau sanitaire / Tubo salida agua sanitaria | 27.00 |
| 6 | 41501601500 | Tubo ritorno / Return tube / Rücklaufrohr / Tuyau retour / Tubo de regreso | 30.00 |
| 7 | 41501601400 | Tubo mandata / Delivery tube / Vorlaufrohr / Tuyau refoulement / Tubo de envío | 33.00 |
| 8 | 41501601850 | Kit scambiatore/valvola 3vie / Kit exchanger/3 way valve / Kit Austausch/Dreibegeventil / Kit échangeur/Soupape 3 voies / Kit intercambiador/Valvula a 3 vías | 269.00 |
| 8 | 41501700200 | Scambiatore 14 piastre / Exchanger 14 plates / Wärmetauscher 14 Platten / Échangeur 14 plaques / Intercambiador 14 placas | 81.00 |
| 8 | 41501700300 | Valvola 3 vie attacco rapido / 3-way valve quick connection / Dreibegeventil schnelle Verbindung / Soupape à 3 voies connexion rapide / Valvula a 3 vías conexion rapida | 133.00 |
| 9 | 4012062 | Sonda NTC a filo per acqua / Water NTC temperature sensor / Wassertemperaturfühler NTC / Sonde température eau NTC / Sonda temperatura agua NTC | 22.00 |
| 10 | 41501601000 | Tubo FLE. DN 10 / Flexible tube DN. 10 / Flexibles Rohr DN. 10 / Tuyau flexible DN. 10 / Tubo flexible DN. 10 | 29.00 |
| 11 | 41401606930 | Supporto vaso espansione / Expansion vessel support / Halterung Expansionsgefäß / Support vase d'expansion / Soporte vaso de expansión | 17.00 |
| 12 | 4120775 | Vaso espansione (6 l) / Expansion vessel (6 l) / Expansionsgefäß (6 l) / Vase d'expansion (6 l) / Vaso de expansión (6 l) | 75.00 |
| 13 | 4120779 | Valvola di sfiato / Vent valve / Entlüftungsventil / Soupape de dégagement / Válvula respiradero | 26.00 |

IDRO RIVER3 23 H2O

Gruppo scambiatore / Exchanger group / Austausch Baugruppe / Groupe échangeur / Grupo intercambiador



| N° | Codice/Code | Descrizioni / Description / Beschreibung / Description / Descripcion | Prezzo (€) |
|----|--------------|--|------------|
| 1 | 41400914540 | Eliche raschiatore (1 pz.) / Turbulator props (1 pc.) / Propeller des Schabers (1 Teil) / Hélices turbulateur (1 pz.) / Hélice rascador (1 pz.) | 41.00 |
| 2 | 41401129341 | Staffa sostegno raschiatore Inox / Inox turbulator support bar / Haltebügel des Schabers aus Inox / Etrier support turbulateur en Inox / Zuncho apoyo rascador de Inox | 28.00 |
| 3 | 41200903300 | Trascinatore turbolatori (2 pz.) / Turbolator props puller (2 PC.) / Reinigungsspiralenmitnehmer (2 STCK). / Meneur de turbolateur (2 Pc.) / Arrebatador hélice rascador (2 pz). | 25.00 |
| 4 | 41801603200A | Treccia Ø10(5mt) / Braid Ø10(5mt) / Zopf Ø10(5mt) / Tresse Ø10(5mt) / Trenza Ø10(5mt) | 58.00 |
| 5 | 41151600100 | Pannello vermiculite coperchio / Vermiculite cover / Deckel aus Vermiculite / Couvercle en vermiculite / Tapa en vermiculite | 33.00 |
| 6 | 41411608940V | Coperchio struttura caldaia nero / Boiler black cover / Schwarz Kelleldeckel / Couvercle noir chaudière / Tapa negra caldera | 96.00 |
| 7 | 41801499550 | Kit scarico sovrappressione camera di combustione (pz.2) / Pressure relief kit (Pcs.2) / Bausatz überdruckablauf brennkammer (Stck.2) / Kit decompression chambre combustion (Pcs.2) / Kit descompresion camara combustion (Pcs.2) | 25.00 |
| 8 | 41401605430 | Traversa leve movim. Turb. / Turbolator handling crossbeam / Turbolatorstange Träger / Traverse tige turbolateur / Traversa asta rascador | 56.00 |