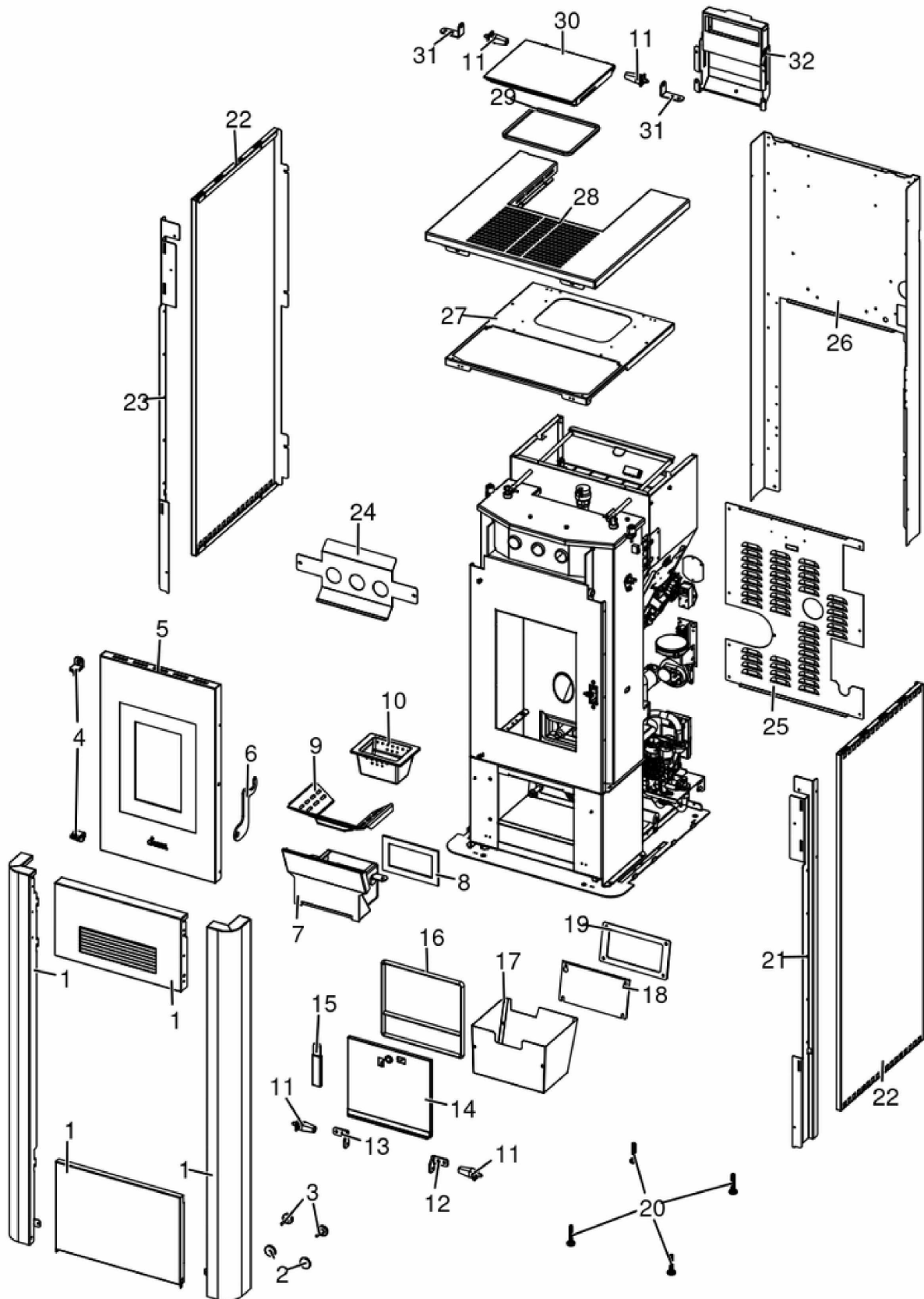
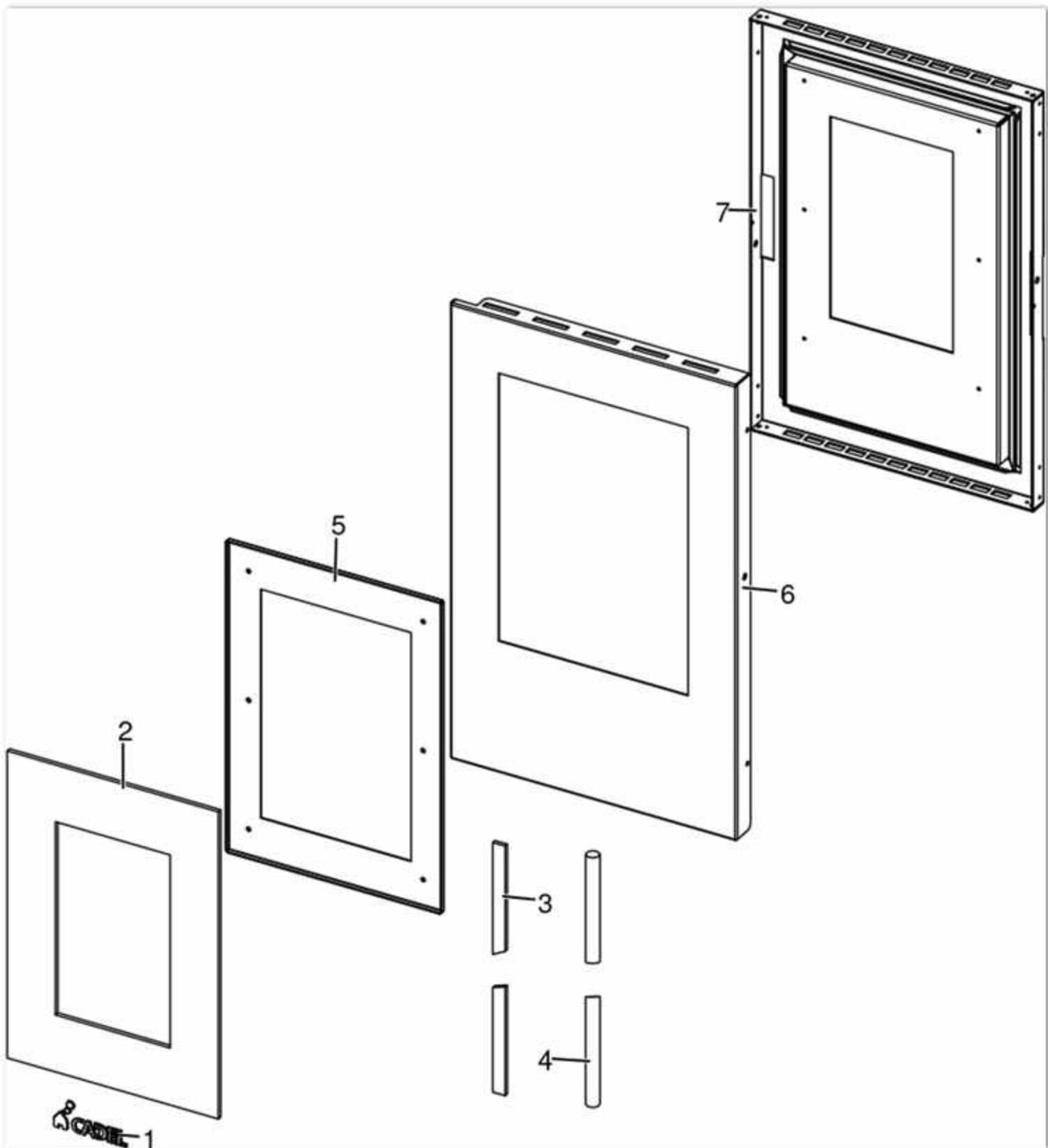


IDRO PRINCE3 - 12 WIFI

Gruppo estetico / Aesthetic group / Ästhetische Gruppe / Groupe esthétique / Grupo estético

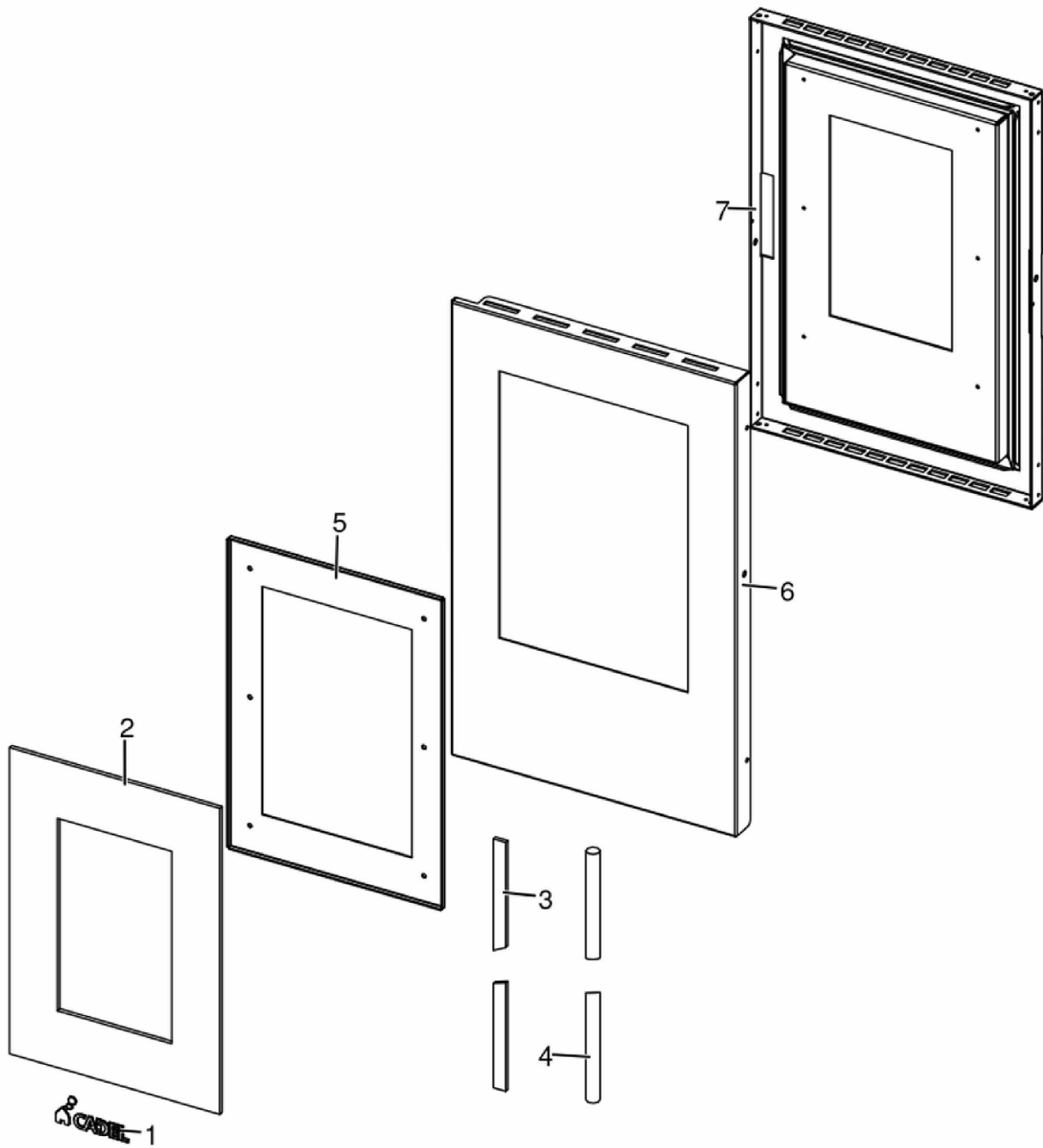


N°	Codice/Code	Descrizioni / Description / Beschreibung / Description / Descripcion	Prezzo (€)
1	6917025	Rivestimento Bianco / Coating White / Bekleidung Weiss / Revêtement Blanc / Revestimiento Blanco	170.00
1	6917026	Rivestimento Light bronze / Coating Light bronze / Bekleidung Light bronze / Revêtement Light bronze / Revestimiento Light bronze	170.00
1	6917027	Rivestimento Silver / Coating Silver / Bekleidung Silver / Revêtement Silver / Revestimiento Silver	119.00
1	6917028	Rivestimento Rosso / Coating Red / Bekleidung Rot / Revêtement Rouge / Revestimiento Rojo	170.00
1	6917029	Rivestimento Antracite / Coating Anthracite / Bekleidung Anthrazit / Revêtement Anthracite / Revestimiento Antracita	170.00
1	6919015	Rivestimento Titanium / Titanium cladding / Verkleidung Titanium / Habillage Titanium / Revestimiento Titanium	170.00
2	4D120165020	Magnete 20x3 (pz.10) / 20x3 magnet (pcs.10) / 20x3 Magnet (Stk 10) / Aimant 20x3 (Pcs 10) / Imán 20x3 (Pz.10)	52.00
3	4D120172010K	Kit 4 paracolpi / Kit 4 Bumpers / Kit 4 Schlagschutzgummi / Kit 4 pièces antichoc / Kit 4 anti-golpes	23.00
4	412008063	Cerniere porta fuoco (2 pz) / Fire door hinge (2pcs) / Scharnier Feuertür (2 Stck) / Charnière porte foyer (2 pcs) / Bisagra puerta del hogar (2 pz)	27.00
5	4D37017131	Porta finita completa / Complete finished door / Komplette Tür / Porte finie complète / Puerta completa	259.00
6	4D1411702710P	Maniglia / Handle / Griff / Poignée / Maneta	21.00
7	41411682441V	Tasca braciere / Grate poket / Brennerkopf Tasche / Poche brasero / Bolsillo brasero	192.00
8	41801605800	Guarnizione tasca braciere / Combustion pot container gasket / Brennerkopfkasten Dichtung / Joint récipient brasero / Junta contenidor brasero	25.00
9	41411696230V	Griglia focolare / Hearth grate / Herd-Gitter / Grille de foyer / Rejilla de hogar	59.00
10	41301602601V	Braciere ghisa / Cast iron grate / Brennerkopf aus Gusseisen / Brasero en fonte / Brasero de arrabio	58.00
11	4D14013054C	Cerniera a innesto (2 pz) / Hinge (2 pc) / Scharnier (2 Stck) / Charnière (2 pcs) / Bisagra (2 pzs)	28.00
12	4D1411623930V	Cerniera dx / Hinge R. / Scharnier R. / Charnière D. / Bisagra DCHA	20.00
13	4D1411624030V	Cerniera sx / Hinge L. / Scharnier L. / Charnière G. / Bisagra IZDA	20.00
14	41421605640V	Porta cenere / Ash drawer / Aschenkastens / Tiroir à cendres / Cajón ceniza	54.00
14	437017039	Porta cenere / Ash drawer door / Porte tiroir à cendres / Tür des Aschenkastens / Puerta cajón ceniza	144.00
15	41411621600	Maniglia / Handle / Griff / Poignée / Maneta	20.00
16	412007003A	Cordino fibro ceramica Ø 14 mm (5 m) / Ceramic fibre cord Ø 14 mm (5 m) / Keramikfaserschnur Ø 14 mm (5 m) / Cordon en fibre céramique Ø 14 mm (5 m) / Junta a cuerda de fibra cerámica Ø 14 mm (5 m)	44.00
17	437016041	Cassetto cenere / Ash drawer / Aschekasten / Tiroir à cendres / Cajón cenizas	63.00
18	41401605530	Tappo camera fumi / Plug fumes chamber / Deckel Raumrauch / Bouchon chambre fumés / Tapón camara humos	20.00
19	41801601300	Guarnizione tappo camera fumi / Smoke compartment plug gasket / Dichtung Rauchabzugklappe / Joint clapet compartiment fumées / Junta tapón compartimento humos	19.00
20	41201702400	Piedino / Foot / Einstellfuß / Vêrin / Pié	19.00
21	4D1411729230V	Montante anteriore dx / Frontal vertical rod R. / Vordere Montageleiste R. / Montant antérieur D. / Montante anterior DCHO	67.00
22	4D1411729330P	Fianco / Side / Seite / Côté / Lateral	96.00
23	4D1411729130V	Montante anteriore sx / Frontal vertical rod L. / Vordere Montageleiste L. / Montant antérieur G. / Montante anterior IZDO	48.00
24	4D1411765830V	Frangicalore mascherina / Deflector / Leitblech / Déflecteur / Deflector	31.00
25	41401702731	Pannello posteriore / back panel / Hintere Paneel / Panneau posterieur / Panel posterior	50.00
26	4D1401715530	Schiena / Back / Fond / Rückwand / Parte trasera	72.00
27	4D1411728830V	Supporto top / Top support / Support dessus / Top Haltebügel / Soporte top	45.00
28	4D1411737930P	Top / Top / Abdeckplatte / Dessus / Top	115.00
29	4D18013016	Guarnizione 155X190 mm / Gasket 155X190 mm / Dichtung 155x190 mm / Joint 155X190 mm / Junta 155X190 mm	34.00
30	41411684830P	Contro coperchio / Cover stopper / Gegen Deckel / Contre couvercle / Contra tapa	0.00
31	4D1411685430P	Angolare supporto coperchio pellet / Angular pellet cover / Eckig Deckel / Angulaire couvercle Pellet / Angular tapa	19.00
32	4D1421811350	Supporto display / Display support / Stütze Steuerplatine / Support tableau de commande / Soporte pantalla	72.00



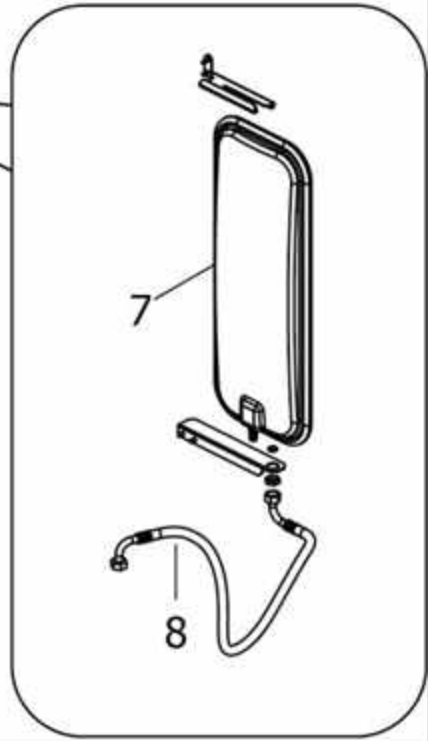
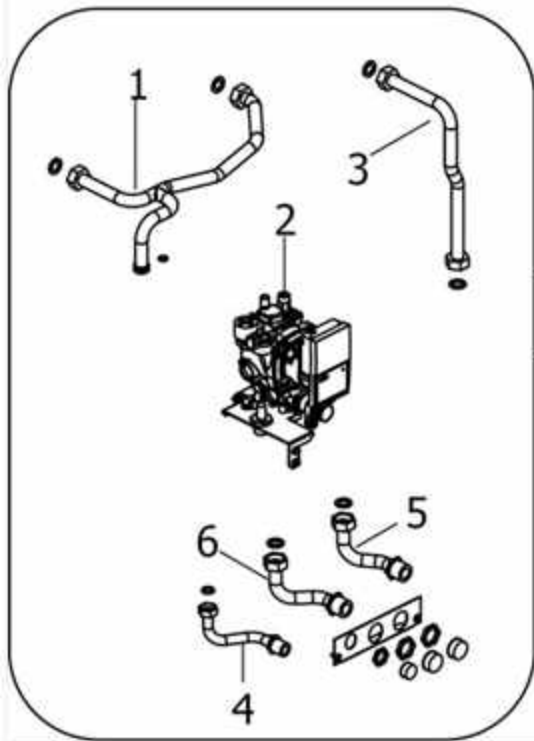
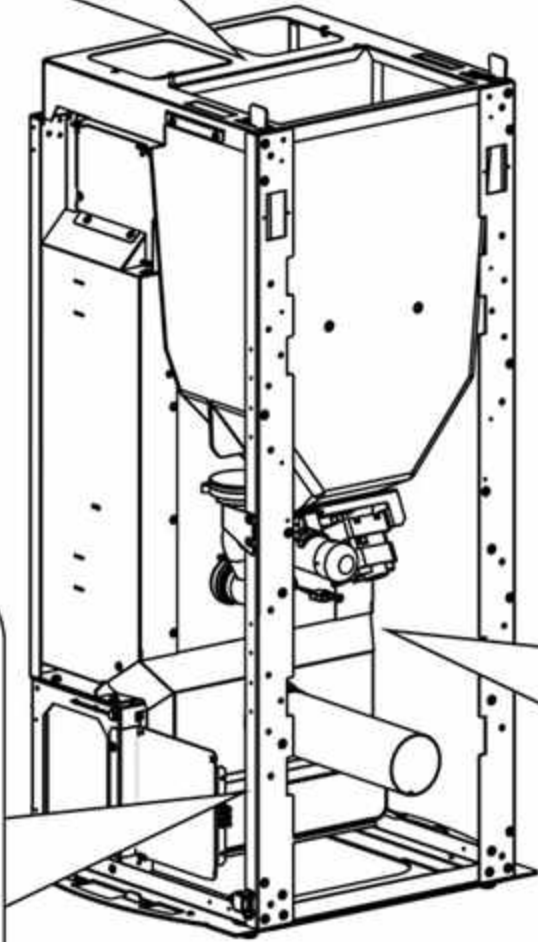
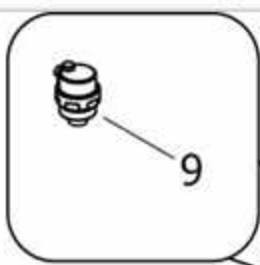
IDRO PRINCE3 - 12 WIFI

Porta fuoco / Fire door / Feuertür / Porte foyer / Puerta hogar



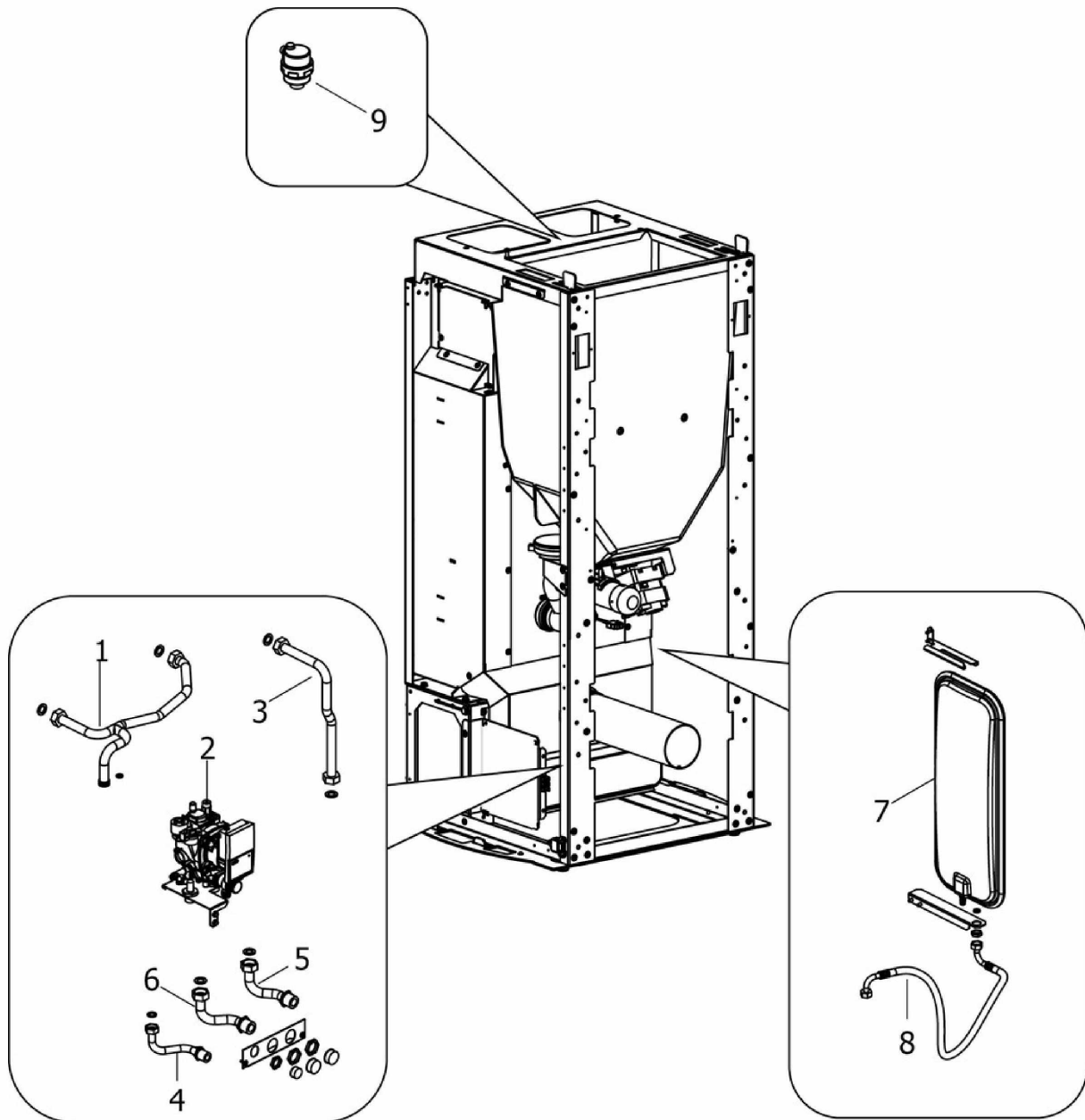
N°	Codice/Code	Descrizioni / Description / Beschreibung / Description / Descripción	Prezzo (€)
1	4D12013039	Logo Cadel / Cadel logo / Cadel Logo / Cadel logo / Cadel logo	25.00
2	4D1701700860	Vetroceramico 369x254x5 / Glass 369x254x5 / Glaskeramikscheibe 369x254x5 / Vitrocéramique 369x254x5 / Cristal cerámico 369x254x5	100.00
3	4D18013008A	Guarnizione 10x3 (5m) / Gasket 10x3 (5m) / Dichtung 10x3 (5m) / Joint 10x3 (5m) / Junta 10x3 (5m)	35.00
3	4D18013008C	Guarnizione 10x3 (100m) / Gasket 10x3 (100m) / Dichtung 10x3 (100m) / Joint 10x3 (100m) / Junta 10x3 (100m)	287.00
4	4D18013021A	Guarnizione treccia nera D.10 - 5 M / Black twist gasket D.10 - 5 M / Dichtung D.10 - 5 M / Joint tresse noire D.10 - 5 M / Junta D.10 - 5 M	33.00
4	4D18013021B	Guarnizione treccia nera D.10 - 50 M / Black twist gasket D.10 - 50 M / Dichtung D.10 - 50 M / Joint tresse noire D.10 - 50 M / Junta D.10 - 50 M	144.00
5	4D1401707930	Profilo fermavetro / Fastening bracket profile / Haltebügel für Scheibebefestigung Profil / Profil patte de fixation / Perfil fermacristal	31.00

6	4D1411729430V	Porta esterna / External door / Außere Tür / Porte externe / Puerta externa	58.00
7	4D1411728740V	Tamponazione porta / Door filler / Türstopfung / Plaque porte / Tapa puerta	121.00



IDRO PRINCE3 - 12 WIFI

Componenti interni idraulici **SENZA** kit acqua sanitaria / Internal plumbing components **WITHOUT** domestic water kit / Interne hydraulische Bauteile **OHNE** Brauchwassersatz / Composants hydrauliques internes **SANS** kit eau sanitaire / Componentes internos hidráulicos **SIN** kit de agua sanitaria

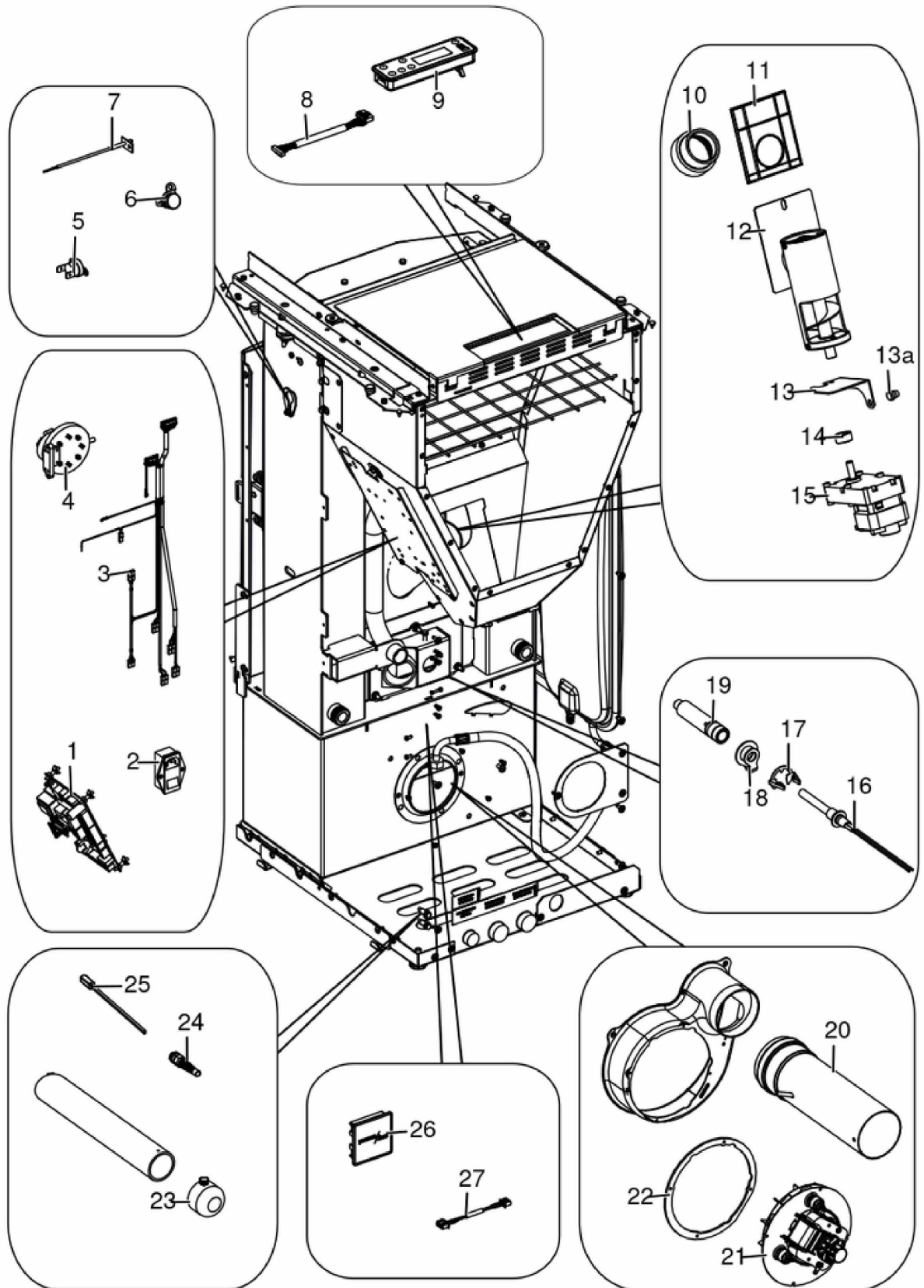


N°	Codice/Code	Descrizioni / Description / Beschreibung / Description / Descripción	Prezzo (€)
1	41501700500	Tubo circolatore caldaia / Boiler circulator tube / Kessel Zirkulatorrohr / Tube de circulation de chaudière / Tubo circulador de caldera	65.00
2	41501600251	Gruppo idraulico / Hydraulic unit / Hydraulikeinheit / Unité hydraulique / Unidad hidráulica	327.00
2	41451108000	Pressostato H2O di minima / Pressur switch H2O / Druckwächter H2O / Pressostat H2O / Presostato H2O	31.00
2	41501103300	Valvola di sicurezza 3 bar / Maximum pressure valve 3 Bar / Sicherheitsventil 3 Bar / Soupape de pression maximale 3 Bar / Válvula máxima presión 3 Bar	32.00
2	41801204500	Forcella tubo 18 circ. AE / Fork pipe ø18 / Gabel-Rohr ø18 / Fourche je roucoule ø18 / Horquilla arrullo ø18	21.00
2b	41502002100	Circolatore Wilo Para 7 IPWM / Water circulation pump Wilo Para 7 IPWM / Umwälzpumpe Wilo Para 7 IPWM / Pompe de circulation Wilo Para 7 IPWM / Bomba de circulación agua Wilo Para 7 IPWM	320.00
3	41501600600	Tubo mandata impianto / Delivery tube / Vorlaufrohr / Tuyau refoulement / Tubo de envío	44.00
4	41501600400	Tubo di carico caldaia / Boiler loading tube / Rohr für Kesseleinfüllung / Tuyau de chargement chaudière / Tubo de	35.00

		carga caldera	
5	41501600700	Raccordo mandata impianto / Delivery tube connection / Vorlaufrohr Verbindung / Raccord tuyau refoulement / Raccor tubo de envío	38.00
6	41501600500	Tubo ritorno impianto / Return tube / Rücklaufrohr / Tuyau retour / Tubo de regreso	38.00
7	4120775	Vaso espansione (6 l) / Expansion vessel (6 l) / Expansionsgefäß (6 l) / Vase d'expansion (6 l) / Vaso de expansión (6 l)	75.00
8	41501601000	Tubo FLE. DN 10 / Flexible tube DN. 10 / Flexibles Rohr DN. 10 / Tuyau flexible DN. 10 / Tubo flexible DN. 10	29.00
9	4120779	Valvola di sfiato / Vent valve / Entlüftungsventil / Soupape de dégagement / Válvula respiradero	26.00

IDRO PRINCE3 - 12 WIFI

Gruppo elettrico ed elettronico / Electrical and electronic group / Elektrische und elektronische Gruppe / Groupe électrique et électronique / Grupo eléctrico y electrónico



N°	Codice/Code	Descrizioni / Description / Beschreibung / Description / Descripcion	Prezzo (€)
1	41452004400B	Scheda madre / Motherboard / Hauptplatine / Carte mère / Tarjeta madre	244.00
2	4160193	Pulsante accensione / On/Off button / Zündungstaste / Touche d'allumage / Botón encendido	28.00
3	41451701300	Cablaggio elettrico / Electrical wiring / Elektrische Verkabelung / Câblage électrique / Cableado eléctrico	78.00
4	4160482	Pressostato 0,4 mbar / Pressure gauge 0,4 mbar / Druckwächter 0,4 mbar / Pressostat 0,4 mbar / Presostato 0,4 mbar	38.00
5	41450901100	Clickson 95°C / Clickson 95°C / Clickson 95°C / Clickson 95°C / Clickson 95°C	20.00
6	412007004	Clickson 110°C / Clickson 110°C / Clickson 110°C / Clickson 110°C / Clickson 110°C	20.00
7	41451002300	Sonda fumi / Smoke sensore / Rauchgassonde / Sonde fumées / Sonda humos	31.00
8	41451201900	Cavo Flat L 1,4 M / Flat cable L 1,4 M / Flat Kable L 1,4 M / Câble Flat L 1,4 M / Cable Flat L 1,4 M	21.00
9	4D1451303300	Pannello comandi grafico / Graphic control panel / Graphische Bedienblende / Tableau de commande / Panel de mandos gráfico	138.00
10	41801702600	Disaccoppiatore coclea / Feed screw gasket / Dichtung Pelletrutsche / Joint vis sans fin / Desacoplador cóclea	18.00
11	41801600400	Guarnizione gruppo caricamento / Loading group gasket / Fördergruppe Dichtung / Joint groupe de chargement / Junta por grupo de carga	20.00
12	41411800151	Coclea caricamento pellet / Pellet feed screw / Pellet Förderschnecke / Vis sans fin pour chargement du pellet / Cóclea de carga pellet	115.00
13	41401606430	Staffa fermo motoriduttore / Reduction motor bracket stop / Getriebemotor Bügelstopper / Butée étrier motoréducteur / Tope zuncho motorreductor	21.00
13a	4120180	Gommino paracolpi (4PZ) / Rubber bumpers (4 pcs.) / Schlagschutzgummi (4 Stck) / Pièces caoutchouc antichoc (4 pcs) / Cauchitos anti-golpes (4 pz)	21.00
14	4120398	Connettore motoriduttore-coclea / Reduction motor-feed screw connector / Verbindung Getriebemotor-Schnecke / Connecteur motoréducteur-vis sans fin / Conector motorreductor-cóclea	22.00
15	41451503100	Motoriduttore 2rpm / Gear motor 2rpm / Getriebemotor 2rpm / Motoréducteur 2rpm / Motorreductor 2rpm	121.00
16	41451308101	Cartuccia ceramica / Sparkplug / Keramik Zündkerze / Bougie ceramique / Bujia	77.00
17	41201601500	Anello arresto candeletta / Sparkplug stop / Zündkerzestopper / Butée bougie / Tope bujia	24.00
18	41801604300	Guarnizione condotto candeletta / Sparkplug conduit gasket / Dichtung Zündkerzenkanal / Joint conduit bougie / Junta conducto bujia	19.00
19	41601601000	Condotto candeletta / Sparkplug conduit / Zündkerzenkanal / Conduit bougie / Conducto bujia	27.00
20	41601601160	Tubo fumi a innesto / Plug-in flue pipe / Plug-in Rauchrohr / Conduit de cheminée enfichable / Tubo de humos enchufable	35.00
21	41451503200	Ventilatore fumi stagno / Air-tight smoke exhausted fan / Luftdich Rauchgasgebläse / Ventilateur fumées étanche / Ventilador humos hermético	82.00
22	41801600800	Guarnizione ventilatore fumi / Smoke exhaust fan gasket / Dichtung Rauchabsauggebläse / Joint Ventilateur aspiration fumées / Junta ventilador aspiración humos	22.00
23	41401036100	Filtro aria comburente / Anti-dust filter / Staubschutzfilter / Filtre antipoussière / Filtro de protección polvo	21.00
24	414508038	Pressacavo / cable holder / Kabelklemme / presse-cable / presionacable	21.00
25	4160240	Sonda temperatura ambiente / Room temperature sensor / Raumtemperaturfühler / Sonde température ambiance / Sonda temperatura aire	20.00
26	4D145201030	Modulo Wi-fi / Wi-fi module / Wi-Fi-Modul / Module Wi-fi / Módulo wifi	75.00
27	4D1452002500	Cavo flat 7 vie / Flat cable / Flat-Kabel / Cable flat / Cables flat	22.00