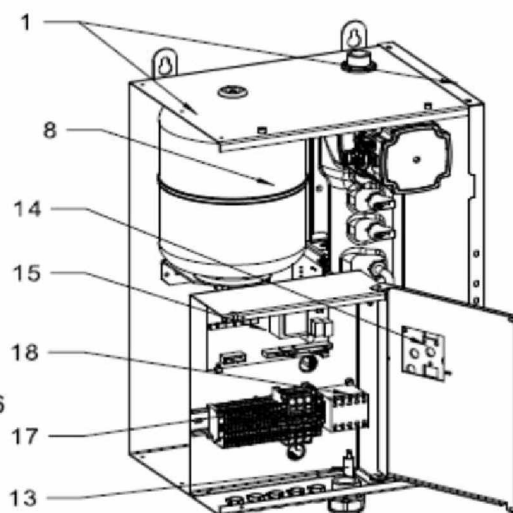
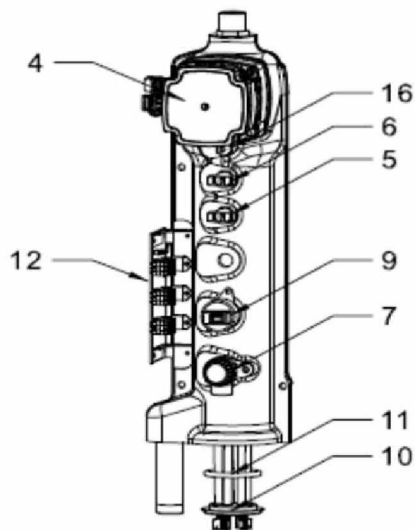


Edition du 04/03/2020 - Se reporter à la grille tarifaire en vigueur (IT : Indice tarifaire)

| Désignation | Référence | Cdt | I.T. | 6 | 12 | 12 | 12 | 16 | 24 | Repère |
|---|-----------|-----|-------|-----------|-----------|---------------------|-----------|-----------|-----------------|--------|
| | | | | MT | MT Mono | 2 circuits Confort+ | MT Tri | MT Tri | MA Tri Confort+ | |
| (*) : Confort + | | | | 132632 | 132631 | 132635 | 132636 | 132637 | 132616 | |
| | | | | 132688 | 132687 | 132693 | 132694 | 132695 | 132670 | |
| (*) : Confort + | | | | 131092(*) | 131089(*) | | 131096(*) | 131097(*) | | |
| ELECTRONIQUE | | | | | | | | | | |
| Cartes | | | | | | | | | | |
| CARTE ELECTRONIQUE PUISSANCE ASS | B4992299 | 1 | 34.03 | 1 | 1 | 2 | 1 | 1 | | 12 |
| AFFICHEUR C1 | B1943599 | 1 | 17.02 | 1 | 1 | 2 | 1 | 1 | 1 | 14 |
| CARTE -GIALIX MT- | B4244260 | 1 | 28.03 | 1 | 1 | 2 | 1 | 1 | 1 | 15 |
| Borniers | | | | | | | | | | |
| BORNIER -GIALIX 6 MT- | B1244270 | 1 | 36.02 | 1 | | | | | | 17 |
| BORNIER -GIALIX 12 TRIAC- | B1244256 | 1 | 36.02 | | 1 | | | | | 17 |
| BORNIER -GIALIX TRI TRIAC- | B1244373 | 1 | 15.03 | | | | 1 | 1 | | |
| BORNIER -GIALIX 12 -2C- | B1244290 | 1 | 20.03 | | | 1 | | | | 17 |
| BORNIER 24KW 400V -GIALIX- | B1243624 | 1 | 23.03 | | | | | | 1 | |
| Cablages commande | | | | | | | | | | |
| CABLAGE CDE -GIALIX 12 MT- | B1244259 | 1 | 12.03 | 1 | 1 | | | | | |
| CABLAGE COMMANDE-GIALIX TRI T- | B1244372 | 1 | 15.03 | | | | 1 | 1 | | |
| CABLAGE CDE -GIALIX 12 2C- | B1244307 | 1 | 23.02 | | | 2 | | | | |
| CABLAGE CDE -GIALIX 18-24KW- | B1243571 | 1 | 15.03 | | | | | | 1 | |
| Cablages puissance | | | | | | | | | | |
| CABLAGE PUISS.-GIALIX 6 MT- | B1244269 | 1 | 35.01 | 1 | | | | | | |
| CABLAGE PUISS.-GIALIX 12 MT- | B1244257 | 1 | 14.02 | | 1 | | | | | |
| CABLAGE PUISSANCE-GIALIX TRI T- | B1244371 | 1 | 27.02 | | | | 1 | 1 | | |
| CABLAGE PUISS.-GIALIX 24- | B1243637 | 1 | 16.03 | | | | | | 1 | |
| CABLAGE PUISS.-GIALIX 12 2C- | B1244308 | 1 | 13.02 | | | 2 | | | | |
| Contacteur | | | | | | | | | | |
| CONTACTEUR 20A TETRAPOLAIRE | B1243561 | 1 | 20.02 | 1 | 2 | 2 | 2 | 2 | 6 | 18 |
| Divers | | | | | | | | | | |
| PORTE FUSIBLE CLIPSABLE | B1243874 | 1 | 21.01 | 1 | 1 | 2 | 1 | 1 | 1 | 13 |
| FUSIBLE 4A 5X20 | B1243147 | 3 | 10.01 | 1 | 1 | 2 | 1 | 1 | 1 | |
| HYDRAULIQUE | | | | | | | | | | |
| Sondes | | | | | | | | | | |
| KLIXON 60°C H231 | B1239045 | 1 | 29.01 | 1 | 1 | 1 | 1 | 1 | 1 | 5 |
| KLIXON 100°C | B1239012 | 1 | 28.01 | 1 | 1 | 1 | 1 | 1 | 1 | 6 |
| CAPTEUR PRESSION D'EAU | B1243661 | 1 | 17.02 | 1 | 1 | 2 | 1 | 1 | 1 | 9 |
| SONDE A VISSER | B1243534 | 1 | 31.01 | 1 | 1 | 2 | 1 | 1 | 1 | 16 |
| Thermoplongeurs | | | | | | | | | | |
| THERMOPLONGEUR 6KW 230V | B1243947 | 1 | 12.03 | 1 | 2 | | | | | 10 |
| THERMOPLONGEUR 6000W -400V TRI- | B1244369 | 1 | 12.03 | | | 2 | 2 | | | 10 |
| THERMO 8KW 400V -GIALIX 24- | B1243640 | 1 | 15.03 | | | | | 2 | 3 | 10 |
| JOINT TORIQUE ØINT46,99TORE:5,33 | B1657044 | 1 | 15.01 | 1 | 2 | 2 | 2 | 2 | 3 | 11 |
| Circulateurs | | | | | | | | | | |
| CIRCULATEUR UPM3 15-50 GGMBP3 pour les modèles après 18xxxx | B1244446 | 1 | 10.04 | 1 | 1 | 2 | 1 | 1 | | 4 |
| CIRCULATEUR UPM3 15-70 GGMBP3 pour les modèles après 18xxxx | B1244395 | 1 | 10.04 | | | | | | 1 | 4 |
| CIRCULATEUR GRUNDFOS UPM3 15-70 | B4993978 | 1 | 10.04 | | | | | | 1 | 4 |
| CIRCULATEUR GRUNDFOS UPM3 15-50 | B4993979 | 1 | 10.04 | 1 | 1 | 1 | 1 | 1 | | 4 |
| Divers | | | | | | | | | | |
| SOUPAPE SECURITE 3 BARS | B1239094 | 1 | 36.01 | 1 | 1 | 2 | 1 | 1 | 1 | 7 |
| HABILLAGE | | | | | | | | | | |
| COTE HABIL. -GIALIX- | B4485012 | 1 | 17.02 | 2 | 2 | | 2 | 2 | | 1 |
| COTE HABIL. -VG/GIALIX - | B4484732 | 1 | 23.02 | | | 2 | | | 2 | 1 |
| FACADE ASSEMB. -GIALIX 6 MT- avec afficheur carré | B4592063 | 1 | 12.03 | 1 | 1 | | 1 | 1 | | 2 |
| FACADE ASSEMBLEE -GIALIX MT- BC avec afficheur triangulaire | B4592523 | 1 | 13.03 | 1 | 1 | | 1 | 1 | | |
| ENS.AFFICHEUR | B4593695 | 1 | 36.01 | 1 | 1 | | 1 | 1 | | |
| FACADE -GIALIX 12 -2C- | B4485221 | 1 | 36.02 | | | 1 | | | | 2 |
| FACADE ASSEMB -GIALIX 24 MA+ -BC | B4592528 | 1 | 13.03 | | | | | | 1 | |
| BANDEAU HABIL. -GIALIX 12MT-2C | B4485223 | 1 | 16.02 | | | 1 | | | | |

| Désignation | Référence | Cdt | I.T. | 6 | 12 | 12 | 12 | 16 | 24 | Repère |
|----------------------------------|-----------|-----|-------|-----------|-----------|------------------------|-----------|-----------|----------|--------|
| | | | | MT | MT | 2 circuits Confort+ | MT | MT | MA Tri | |
| | | | | | Mono | | Tri | Tri | Confort+ | |
| | | | | 132632 | 132631 | 132635 | 132636 | 132637 | 132616 | |
| (*) : Confort + | | | | 132692(*) | 132689(*) | | 132696(*) | 132697(*) | | |
| | | | | 132688 | 132687 | 132693 | 132694 | 132695 | 132670 | |
| (*) : Confort + | | | | 131092(*) | 131089(*) | | 131096(*) | 131097(*) | | |
| VASE D'EXPANSION | | | | | | | | | | |
| VASE EXPANSION 5 L -GIAL/PILOTE- | B1472710 | 1 | 14.03 | 1 | | | | | | 8 |
| VASE EXPANSION 8L | B1472534 | 1 | 11.03 | | 1 | 1 | 1 | 1 | 1 | 8 |
| ACCESSOIRES | | | | | | | | | | |
| SONDE EXTERIEURE | B1244401 | 1 | 20.03 | 1 | 1 | 2 | 1 | 1 | 1 | |
| SONDE ECS / V3V | B1243578 | 1 | 11.02 | 1 | 1 | 2 | 1 | 1 | 1 | |

Gialix 6 MT



Gialix 12 MT et Gialix 16 MT

