

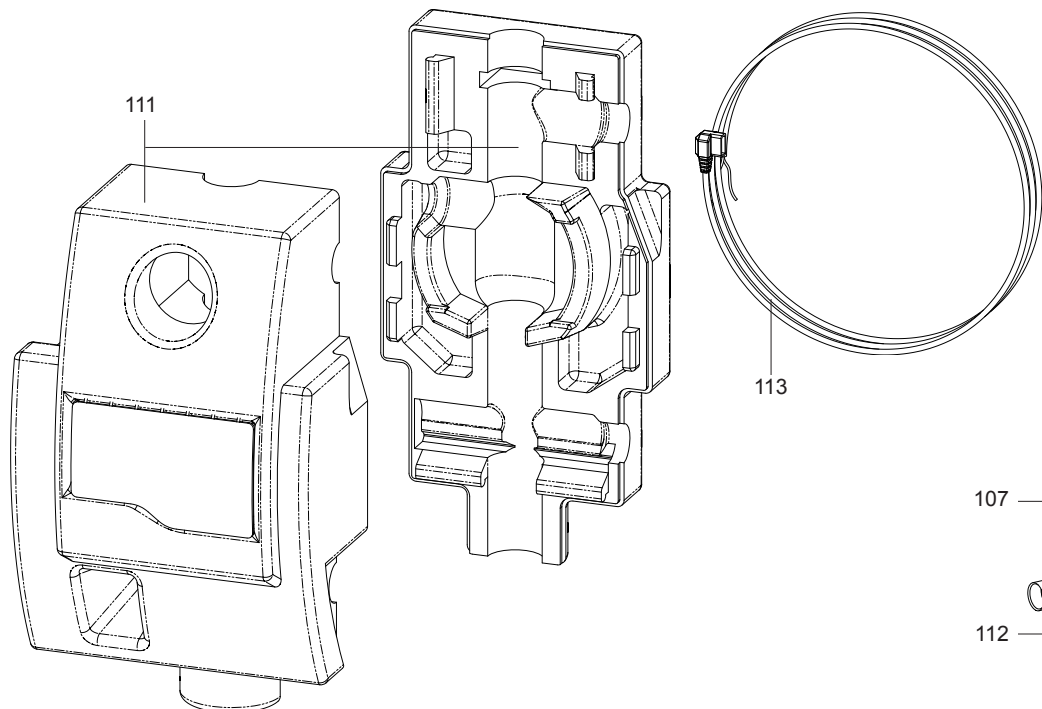
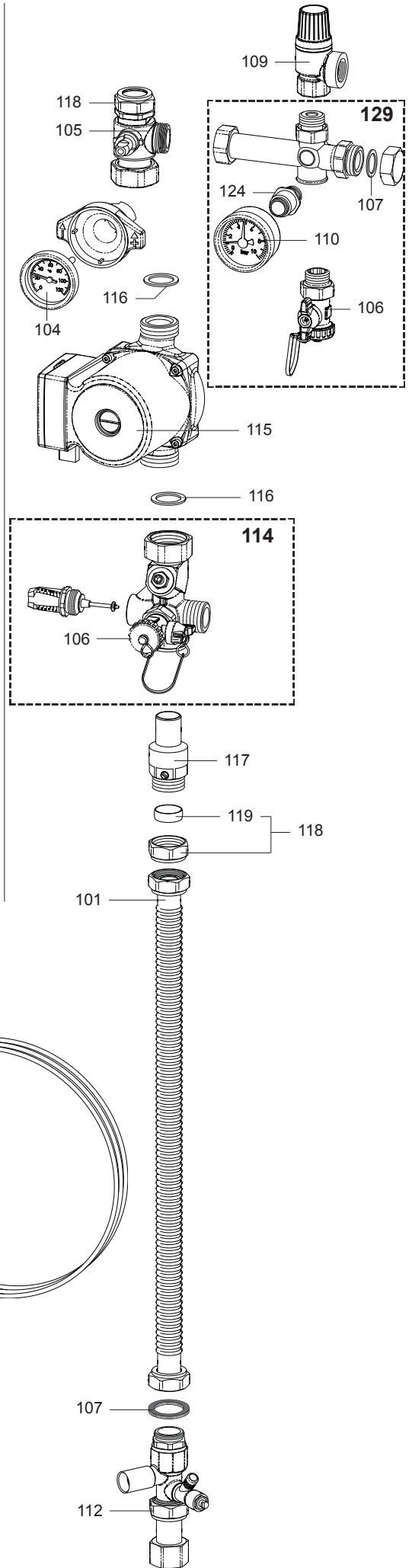
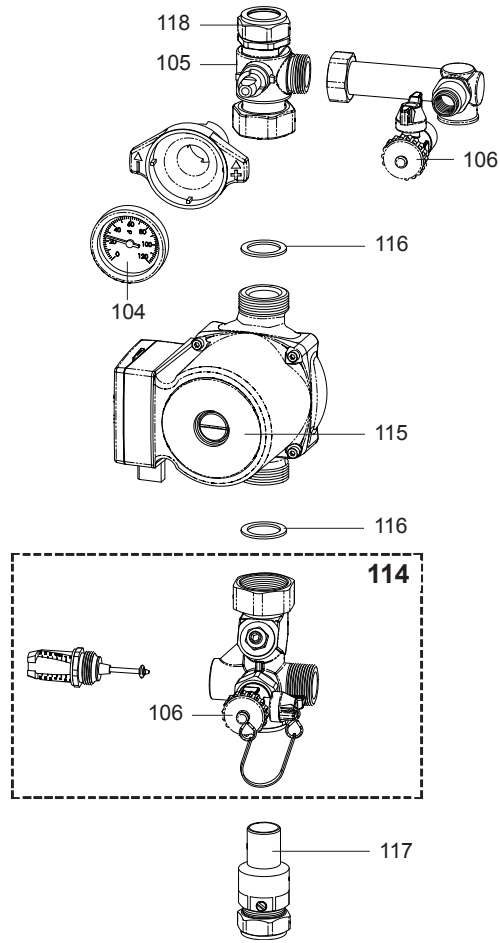
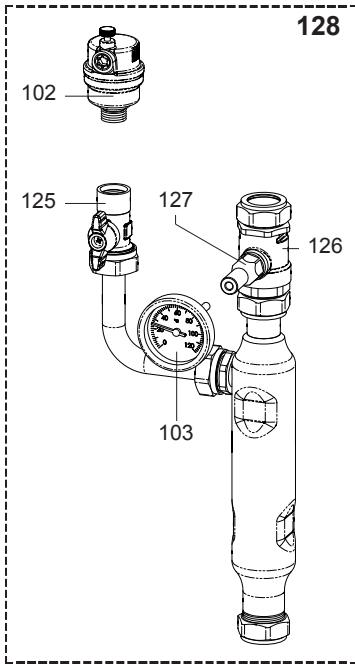
SPARE PARTS EXPLODED VIEW SOLARSYSTEM

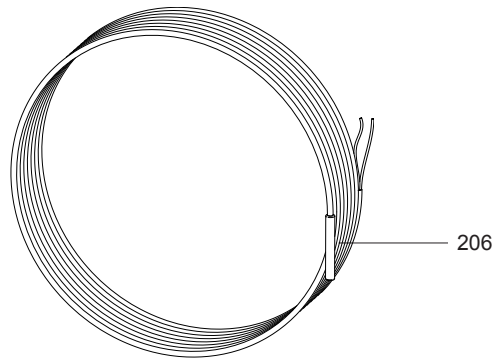
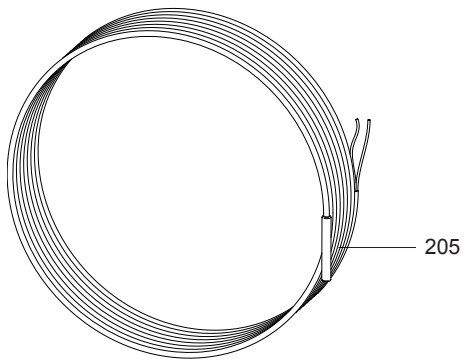
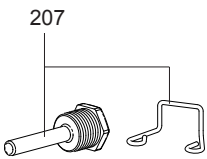
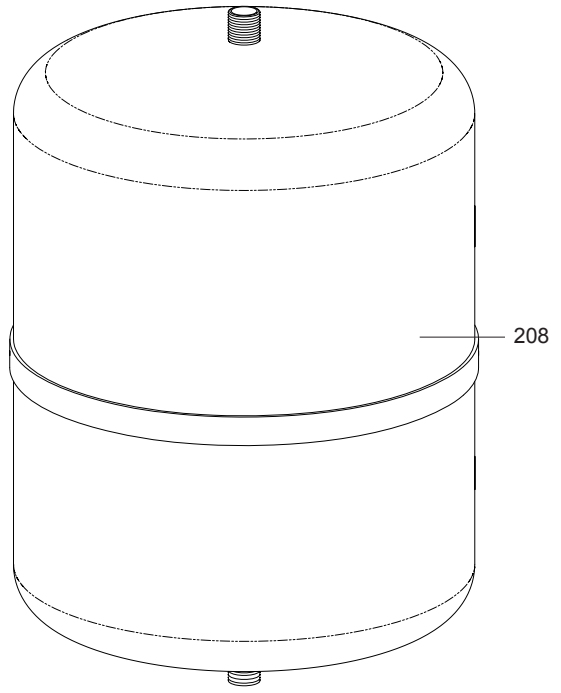
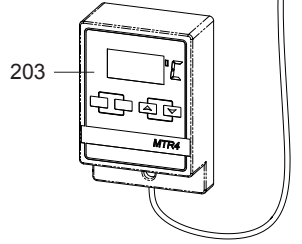
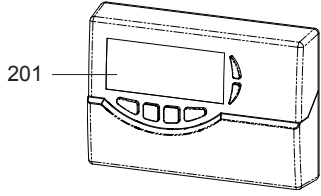
Model

SOLAR ACCESSORIES

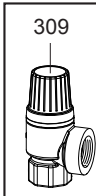
R8216141-22 - 09/03/2021

1	12060782	PUMP SOLAR GROUP - CASCADE 15X40 (AR)	06-2006	09-2009
1	4448666440	EXPANSION VESSEL 18 LITRE WALL HUNG	11-2006	07-2014
1	12061101	SOLAR SAFETY VALVE 6 BAR	04-2007	-
2	4448666451	EXPANSION VESSEL 25 LITRE WALL HUNG	11-2006	-
2	12060815	PUMP GROUP SOLAR - BASIC PUMP 15X40 (C&M)	06-2006	09-2009
2	3024069	TWIN PIPES WITH PROBE CABLE - 10 M	09-2009	-
3	12002737	EXPANSION VESSEL 35 LITRE FLOOR STANDING	11-2006	-
3	12060826	PUMP GROUP SOLAR- BASIC PUMP 15X60 (C&M)	06-2006	09-2009
3	3024070	ADATTATORI IDRAULICI LATO COLLETTORE	09-2009	-
4	12028860	VASO ESPANSIONE 50L CON PIEDI	04-2007	-
4	12060837	PUMP GROUP SOLAIRE- CASCADE 15X40 (C&M)	06-2006	09-2009
4	3024076	VALV 3 VIE DEVIATRICE PER EASY	06-2009	-
5	12060804	PUMP GROUP SOLAR-FLOW (AR)	06-2006	09-2009
5	3024085	VALVOLA MIX TERMOSTATICA 3/4 35-60°C	06-2010	-
5	12078041	SOLAR EXPANSION VESSEL 80 LT	03-2008	-
5	468226	SOLAR EXPANSION VESSEL 80 LT	11-2006	07-2015
6	3104046	CENTRALINA SOLARE ELIOS 25	03-2007	10-2015
6	12060859	PUMP GROUP SOLAR - FLOW (C&M)	06-2006	-
6	3024153	ADAPTER KIT 22-18	05-2011	02-2014
7	3104047	CENTRALINA SOLARE ARISTON	02-2008	08-2008
7	3024155	RACCORDI BOLLITORE PER TUBO GEMELLARE	07-2011	-
8	3104048	COLLECTOR SOLAR SENSOR	03-2007	10-2015
8	3087014	FLEXIBLE CONNECTION TUBE SET 22 MM	11-2006	12-2008
9	3104049	SANITARY SOLAR SENSOR	03-2007	10-2015
9	3087023	THERM. WARM WATER MIXING VALVE SET (CU)	11-2006	12-2015
10	3087085	3 WAY VALVE 230V	05-2010	-
10	800232	TERMOSTATO-TERMOMETRO DIGITALE	04-2004	-
11	3024234	SOLAR PIPE INSULATED 1 METER	05-2013	-
12	3318419	KIT SOLARE CALDAIE ALTA POTENZA	02-2009	11-2009
13	3024327	FLAT GASKET KLINGER TOPCHEM (5 PCS)	07-2014	-
14	3632077	SOLAR INTEGRATION KIT	01-2014	-
15	3318962	HP DHW PROBE KIT	06-2015	-
16	3024457	VALVOLA ANTIGELO ICECAL	05-2019	-
17	3024462	SANITARY SAFETY VALVE - TH CF_GR	10-2019	-
18	3024177	MOTORIZED DIVERTER VALVE GALEVO	07-2012	-
Col	Reference	Model type	Begin	End

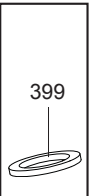




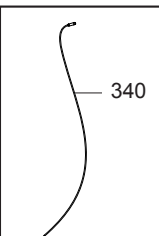
300



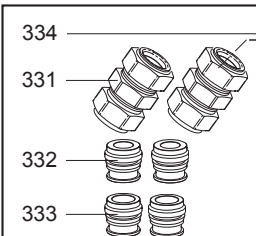
12061101



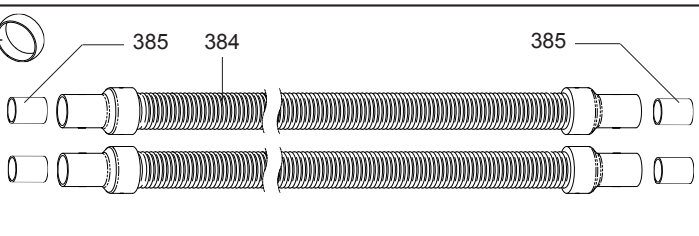
3024327



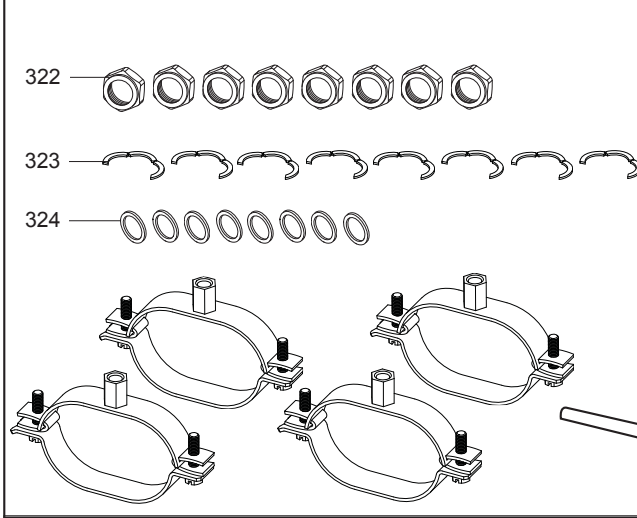
3318962



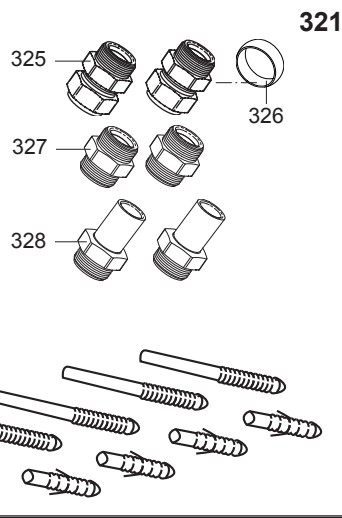
3024234



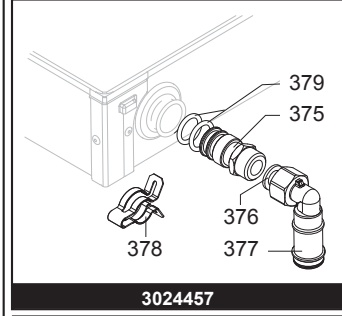
3024234



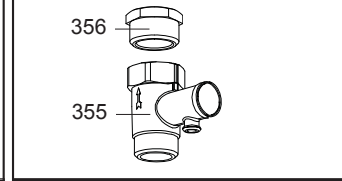
3024069



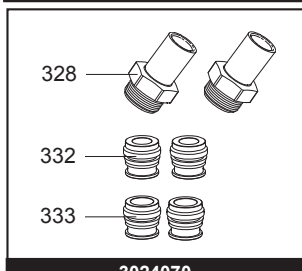
3024069



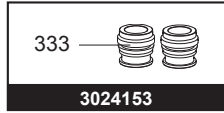
3024457



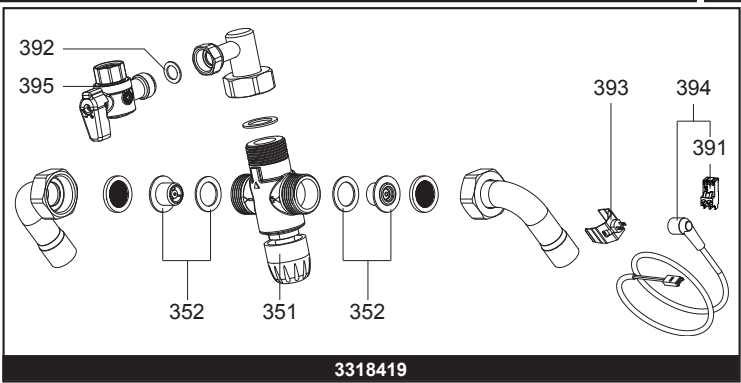
3024462



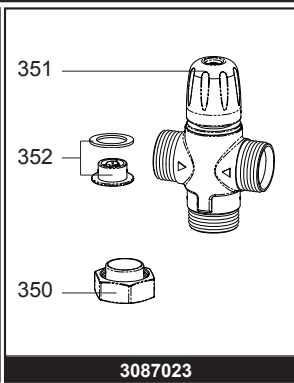
3024070



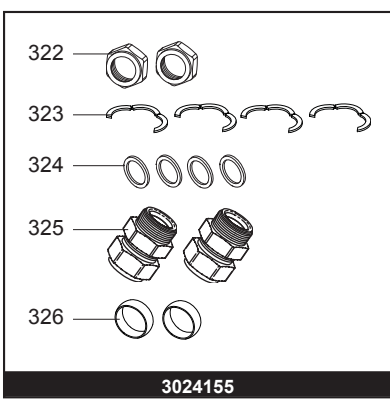
3024153



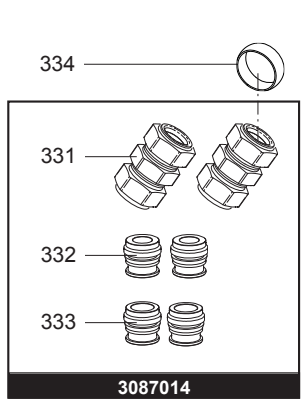
3318419



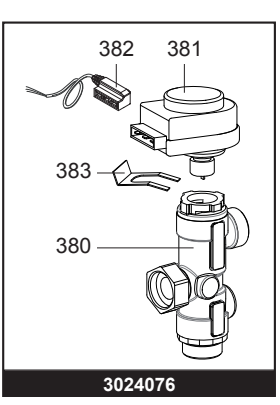
3087023



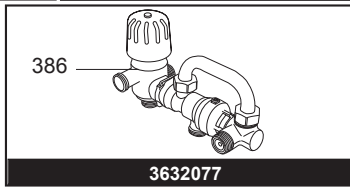
3024155



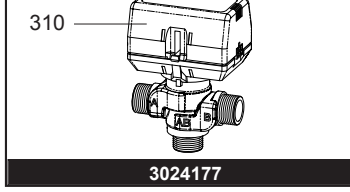
3087014



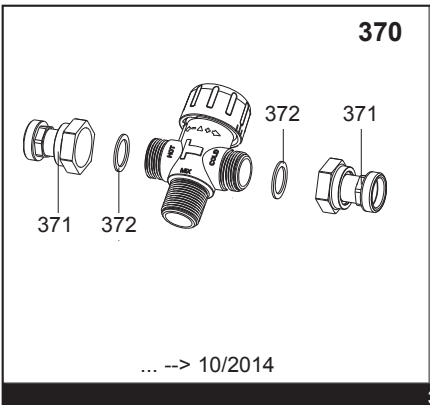
3024076



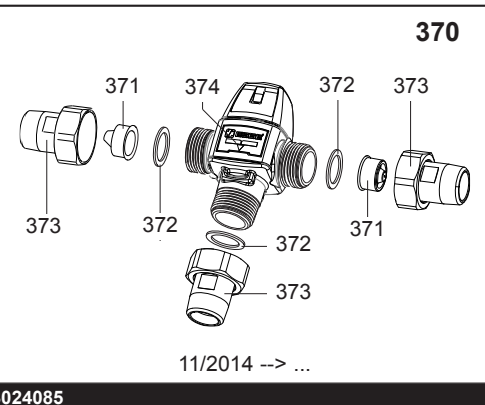
3632077



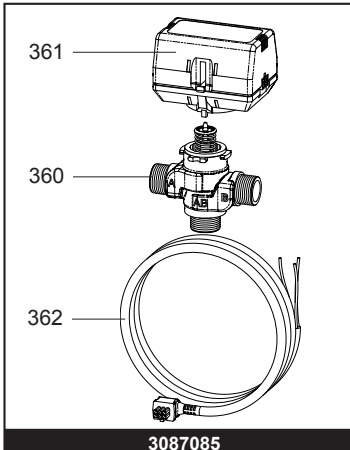
3024177



3024085



3024085



3087085

LIST OF THE ABBREVIATIONS

HW	: Hot water.
CW	: Cold water.
C	: Ceramic resistance (normal heating).
Ca	: Ceramic resistance (accelerated heating)
TP	: Immersion heater.
1F	: With fittings.
2F	: Without fittings.
3F	: With fittings and another outlet connection.
AMI	: With mixing valve.
SMI	: Without mixing valve.
PUISS	: Power of th appliance.
PN	: Appliance with normal pression.
LP	: Appliance with low pression.
PV	: Appliance with variable power.
PF	: Appliance with fixed power.

The indications mentioned on the prices, commercial or technical literature and the scheme are written for your guidance and are available at a given time. The CONSTRUCTOR retains the power to modify the presentation, the form, the size, the conception or the material of the products.
