



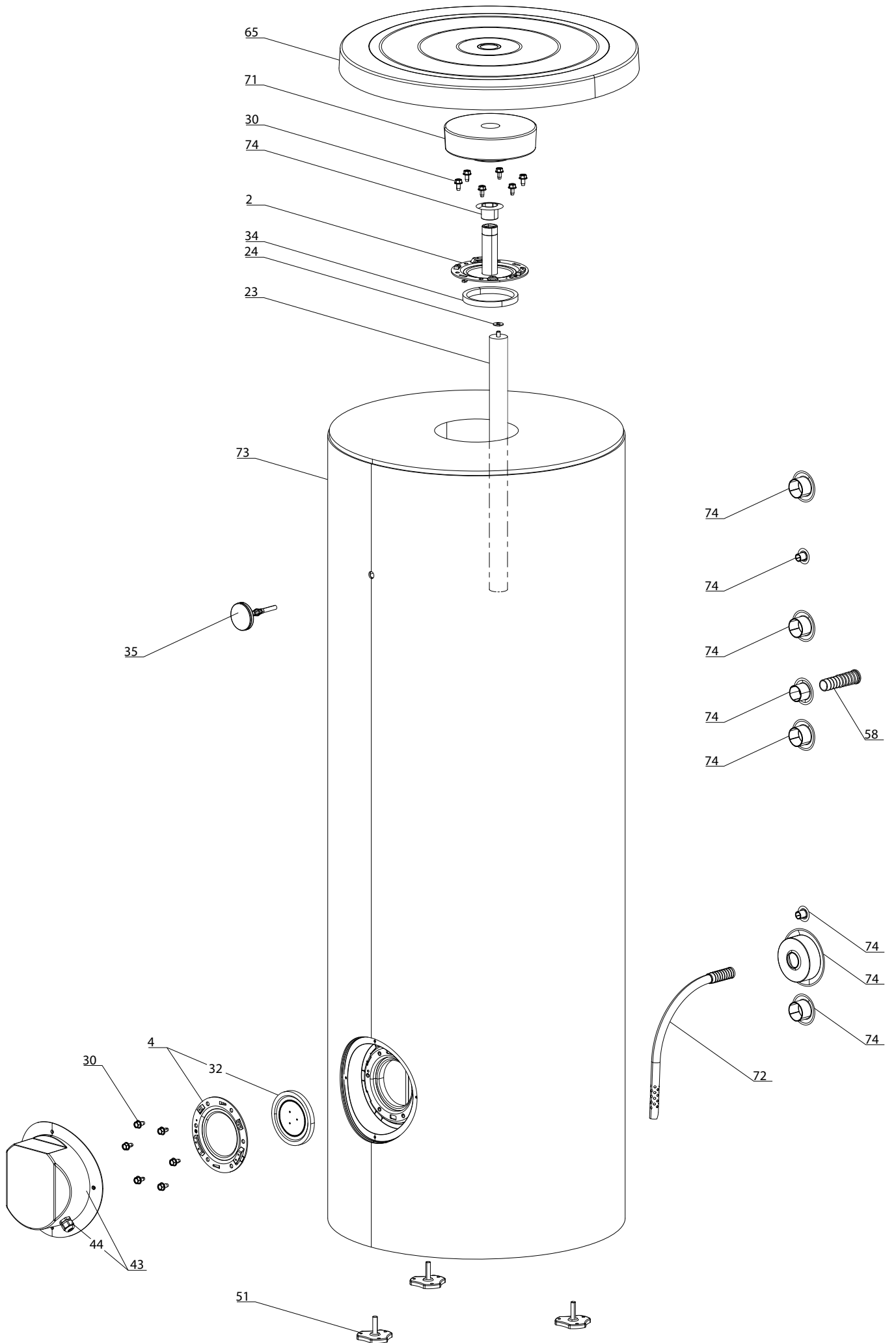
# SPARE PARTS EXPLODED VIEW BOILERS

Model

**BC1S/IFP/AS2S/BC2S -7B**

R8218615-01 - 24/11/2020

1	000003060775	BC1S 200 7 BAR	12-2020	-
1	000003060777	BC2S 200 7 BAR	12-2020	-
1	3070602	BC1S CD1 200 CHX 7B	12-2020	-
1	3070605	BC1S CD1 200 STY 7B	12-2020	-
1	3070608	BC1S CD1 200 ARI 7B	12-2020	-
1	3070613	AS2S CD2 200 CHX 7B	12-2020	-
1	3070616	BC2S CD2 200 ARI 7B	12-2020	-
2	000003060776	BC1S 300 7 BAR	12-2020	-
2	000003060778	BC2S 300 7 BAR	12-2020	-
2	3070603	BC1S CD1 300 CHX 7B	12-2020	-
2	3070606	BC1S CD1 300 STY 7B	12-2020	-
2	3070609	BC1S CD1 300 ARI 7B	12-2020	-
2	3070611	IFP CD1 300 FLE 7B	12-2020	-
2	3070614	AS2S CD2 300 CHX 7B	12-2020	-
2	3070617	BC2S CD2 300 ARI 7B	12-2020	-
3	000003060779	BC1S 450 7 BAR	12-2020	-
3	000003060780	BC2S 450 7 BAR	12-2020	-
3	3070604	BC1S CD1 450 CHX 7B	12-2020	-
3	3070607	BC1S CD1 450 STY 7B	12-2020	-
3	3070610	BC1S CD1 450 ARI 7B	12-2020	-
3	3070612	IFP CD1 450 FLE 7B	12-2020	-
3	3070615	AS2S CD2 450 CHX 7B	12-2020	-
3	3070618	BC2S CD2 450 ARI 7B	12-2020	-
Col	Reference	Model type	Begin	End





## LIST OF THE ABBREVIATIONS

HW .....	: Hot water.
CW .....	: Cold water.
C .....	: Ceramic resistance (normal heating).
Ca .....	: Ceramic resistance (accelerated heating)
TP .....	: Immersion heater.
1F .....	: With fittings.
2F .....	: Without fittings.
3F .....	: With fittings and another outlet connection.
AMI .....	: With mixing valve.
SMI .....	: Without mixing valve.
PUISS .....	: Power of th appliance.
PN .....	: Appliance with normal pression.
LP .....	: Appliance with low pression.
PV .....	: Appliance with variable power.
PF .....	: Appliance with fixed power.

## IDENTIFICATION PLATE

### SERIAL NUMBER

**9 Characters :** 07 91 00301 (from 01/77 to 12/92)

Month of manufacture 07 91 00301 Sequential number  
Year of manufacture 07 91 00301

**10 Characters :** 95 01 065004 (from 01/93 to 06/95)

Year of manufacture 95 01 065004 Sequential number  
Month of manufacture 95 01 065004

**OU**

**10 Characters :** 01 95 065004 (from 07/95)

Month of manufacture 01 95 065004 Sequential number  
Year of manufacture 01 95 065004

**12 Characters :** 924 2 3 134 0115

Product reference 924 2 3 134 0115 Sequential number  
Year of manufacture 924 2 3 134 0115 Manufacturing day

**15 ou 16 Characters :** (0)03 070 0001 893077 (from 01/97 to 01/05)

Year of manufacture (0)03 070 0001 893077 Product reference  
Day of manufacture (0)03 070 0001 893077 Sequential number

**OU**

**16 Characters :** 05 070 0001 0000000 (from 02/05)

Year of manufacture 05 070 0001 0000000 Product reference  
Day of manufacture 05 070 0001 0000000 Sequential number

**17 Characters :** 07 070 00315 3070107

Year of manufacture 07 070 00315 3070107 Product reference  
Sequential number  
Manufacturing day (70)

**21 Characters :** 3000115 XX 08115 0000001

Product reference 3000115 XX 08115 0000001 Sequential number  
Year (08) / Manufacturing day (115)

**22 Characters :** 3000115 XX 070416 0000001

Product reference 3000115 XX 070416 0000001 Sequential number  
Year (07) / Month (04) / Manufacturing day (16)