



ARISTON

SPARE PARTS EXPLODED VIEW HEAT PUMPS

Model

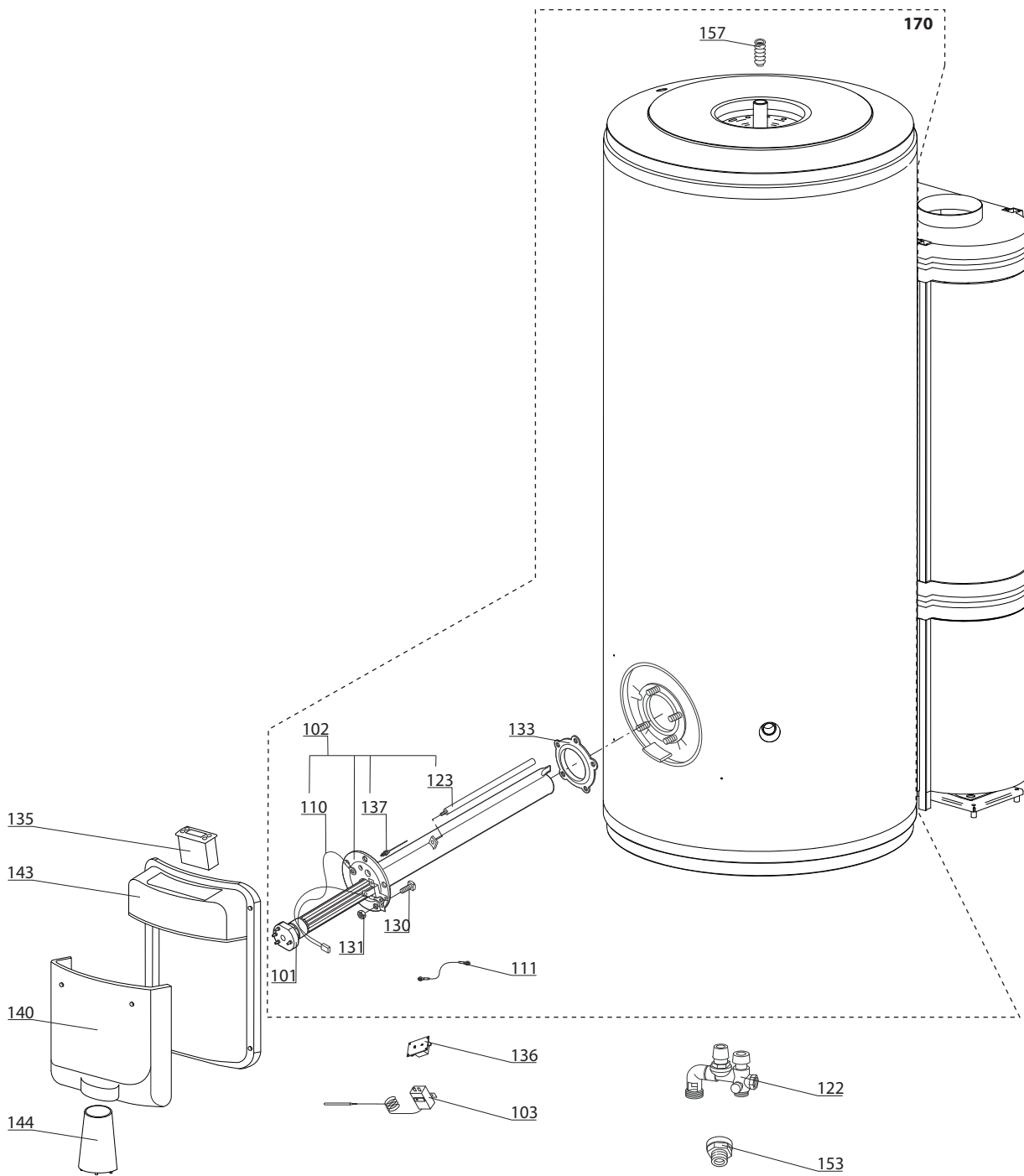
SWHP - NUOS

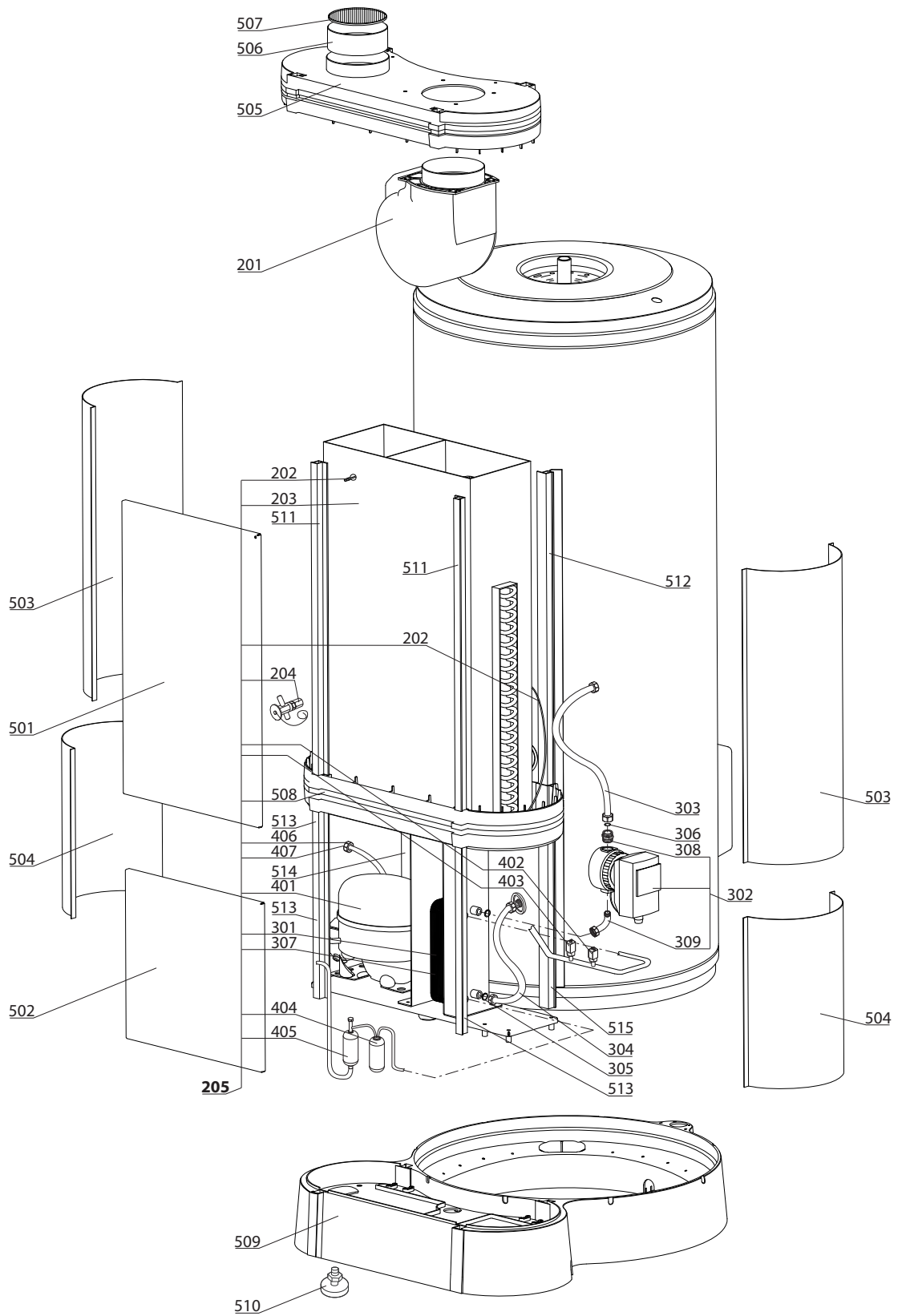
R8203223-05 - 17/04/2012

SWHP - NUOS

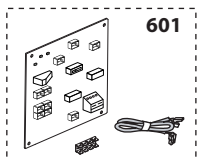
Heat pumps

1	3640355	NUOS 300 SWHP A/W	03-2008	03-2011
1	3720461	SWHP A/W 300L A 75 ARISTON PERS.	10-2008	-
1	3640599	SWHP A/W 300L ARISTON WITH ACCESSORIES	10-2008	-
Col	Reference	Model type	Begin	End

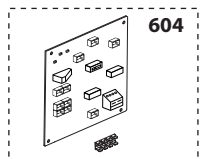
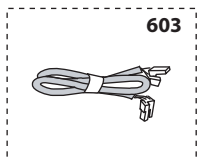




600



602
Cle de programmation
Key of programming
Chiave de programma.
Programmierungsschlus.
Clave de programacion



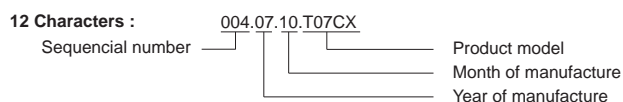
☉⇒	Description	Manf. Pt. N	Type	300 L																	
				1	2	3	4	5	6	7	8	9	10	11	12	13	14	15	16	17	18
0200	EVAPORATOR																				
0201	FAN ASSY	64191273		●																	
0202	NTC PROBE 3M/AT 103	12080868		●																	
0203	EVAPORATOR	64191242		●																	
0204	THERMOSTATIC VALVE	64191243		●																	
0205	COLD GROUP (KIT)	64191280		●																	
0300	HYDRAULIC BLOCK																				
0301	SECONDARY EXCHANGER	64191241		●																	
0302	PUMP	64191246		●																	
0303	FLEXIBLE PIPE L=400	64191258		●																	
0304	FLEXIBLE PIPE L=250	64191257		●																	
0305	SHEET GASKET D: 24	64191200		●																	
0306	SHEET GASKET D: 18-11-2	64190785		●																	
0307	INSULATION + COVER	64191255		●																	
0308	CONNECTION M/M 1/2	64191651		●																	
0309	TUBE F 3/4 M 1/2	64191021		●																	
0400	COMPRESSOR																				
0401	COMPRESSOR	64191240		●																	
0402	HIGH PRESSURE SWITCH	64191245		●																	
0403	GAS PRESSURE SWITCH	64191244		●																	
0404	LIQUID SEPARATOR	64190246		●																	
0405	DRYER FILTER	64190322		●																	
0406	VALVE BODY	64191018		●																	
0407	(KIT) VALVE SCHRADER 1/4" REDUCED 6/10MM	64191656		●																	
0500	FRONT CASE																				
0501	UPPER FRONT PANEL	64191267		●																	
0502	LOWER FRONT PANEL	64191268		●																	
0503	TOP SIDE PANEL	64191269		●																	
0504	LOWER SIDE PANEL	64191270		●																	
0505	TOP PANEL	64191261		●																	
0506	CONNECTION	64191260		●																	
0507	GRILLE	64191259		●																	
0508	INTERMEDIARY SUPPORT	64191262		●																	
0509	SUPPORT	64191263		●																	
0510	FOOT M10X40	918063		●																	
0511	PROFILE OUT OF ALUMINIUM (L:678.5)	64191251		●																	
0512	PROFILE OUT OF ALUMINIUM (L:678.5)	64191254		●																	
0513	PROFILE OUT OF ALUMINIUM (L:422)	64191250		●																	
0514	PROFILE OUT OF ALUMINIUM (L:422)	64191253		●																	
0515	PROFILE OUT OF ALUMINIUM (L:422)	64191252		●																	
0600	ELECTRICAL BOX																				
0601	PRINTED CIRCUIT BOARD + CABLE SET	64191247		●																	
0602	KEY OF PROGRAMMING	64191635		●																	
0603	CABLE (PUMP)	64191406		●																	
0604	PRINTED CIRCUIT BOARD	64192034		●																	

LIST OF THE ABBREVIATIONS

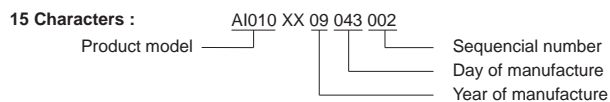
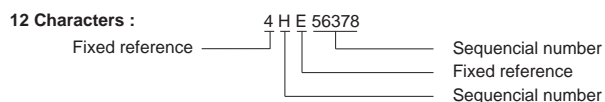
HW	: Hot water.
CW	: Cold water.
C	: Ceramic resistance (normal heating).
Ca	: Ceramic resistance (accelerated heating)
TP	: Immersion heater.
1F	: With fittings.
2F	: Without fittings.
3F	: With fittings and another outlet connection.
AMI	: With mixing valve.
SMI	: Without mixing valve.
PUISS	: Power of th appliance.
PN	: Appliance with normal pression.
LP	: Appliance with low pression.
PV	: Appliance with variable power.
PF	: Appliance with fixed power.

IDENTIFICATION PLATE

SERIAL NUMBER



OR



The indications mentioned on the prices, commercial or technical literature and the scheme are written for your guidance and are available at a given time. The CONSTRUCTOR retains the power to modify the presentation, the form, the size, the conception or the material of the products.