



ARISTON

SPARE PARTS EXPLODED VIEW BOILERS

Model

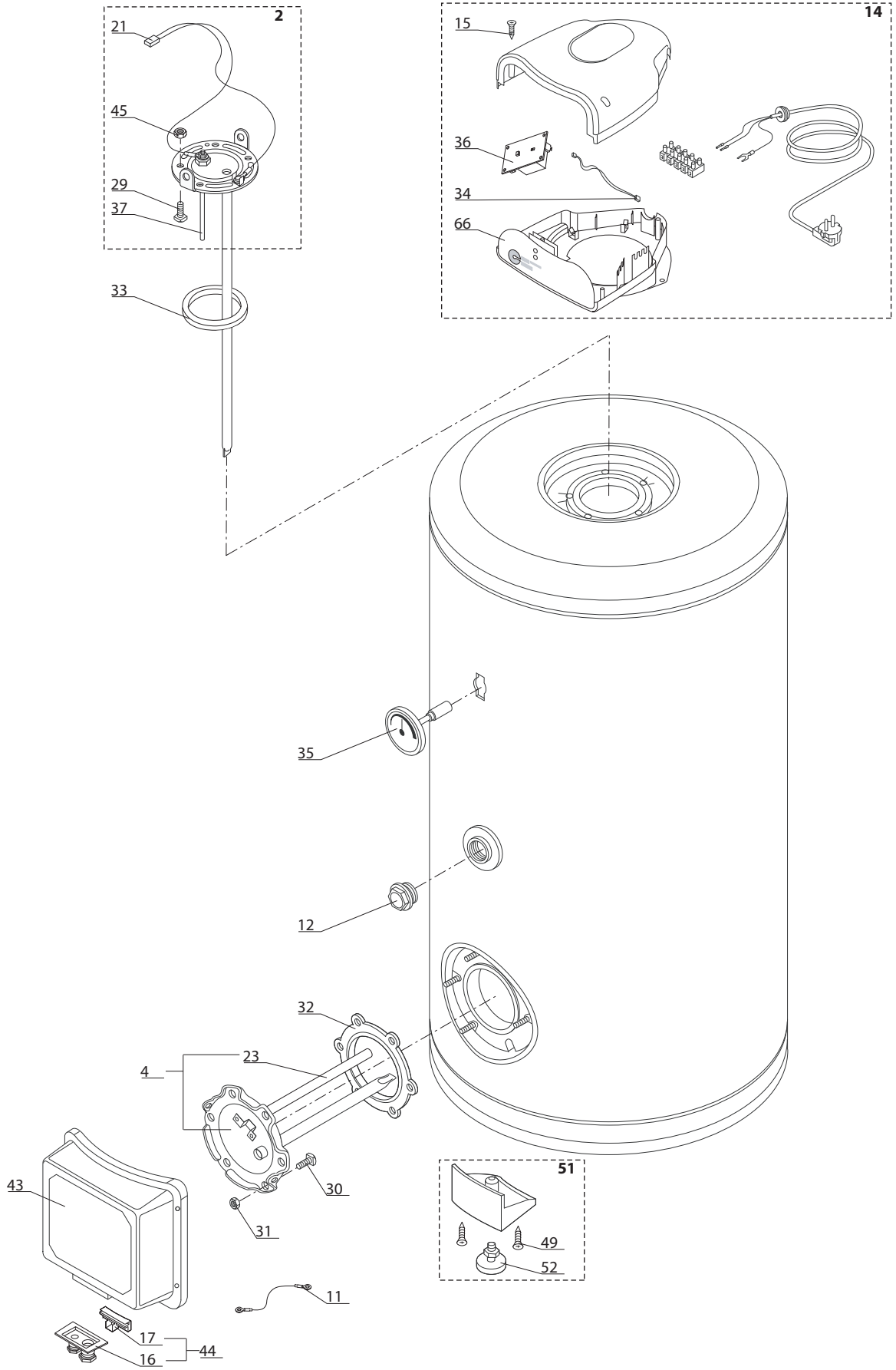
BS PROTECH

R8202730-08 - 23/04/2012

BS PROTECH

Boilers

1	892912	AR BS 1 S 150 Protech	08-2004	09-2008
1	3070152	AR BS 1 S 150 PROTECH	05-2008	10-2008
2	892917	AR BS 2 S 200 Protech	04-2004	05-2006
2	892913	AR BS 1 S 200 Protech	04-2004	09-2008
2	3070111	AR BS 1 S 200 PROTECH	05-2008	-
2	3070115	AR BS 2 S 200 PROTECH	06-2008	05-2010
3	892918	AR BS 2 S 300 Protech	05-2004	04-2008
3	892914	AR BS 1 S 300 Protech	02-2004	05-2007
3	3070112	AR BS 1 S 300 PROTECH	05-2008	-
3	3070116	AR BS 2 S 300 PROTECH	06-2008	05-2010
4	892915	AR BS 1 S 400 Protech	03-2004	03-2008
4	892919	AR BS 2 S 400 Protech	10-2003	02-2008
4	3070113	AR BS 1 S 400 PROTECH	05-2008	-
4	3070117	AR BS 2 S 400 PROTECH	05-2008	09-2010
5	892916	AR BS 1 S 500 Protech	03-2004	07-2007
5	892920	AR BS 2 S 500 Protech	01-2005	03-2008
5	3070114	AR BS 1 S 500 PROTECH	07-2008	-
5	3070118	AR BS 2 S 500 PROTECH	02-2009	-
Col	Reference	Model type	Begin	End



☉	Description	Manf. Pt. N	Type																			
				1	2	3	4	5	6	7	8	9	10	11	12	13	14	15	16	17	18	
0002	FLANGE PLATE 6 HOLES (COMPLETE + ANODE)	60001123					•														07/08	06/09
	FLANGE PLATE 6 HOLES (COMPLETE + ANODE)	60001124						•													07/08	06/09
	FLANGE PLATE 6 HOLES (COMPLETE + ANODE)	60001270					•														07/09	
	FLANGE PLATE 6 HOLES (COMPLETE + ANODE)	60001637						•													07/09	
	MATING FLANGE	61314457		•	•	•																
	FLANGE PLATE (COMPLETE WITH ANODE)	65101338						•														06/08
	FLANGE PLATE (COMPLETE WITH ANODE)	65101339							•													06/08
0004	FLANGE WITH ANODE	923189			•	•	•	•														
0011	EARTH WIRE	60001115						•	•												07/08	
0012	PLUG + SEALING RING	61310637			•	•	•	•														
0014	ELECTRICAL BOX	925355		•	•	•	•	•														
0015	SELF-DRILLING SCREW	60077024		•	•	•																
	SCREW (3.9X19)	918036						•	•													
0016	WIRE PIN BRACKET	926071			•	•	•	•														
0017	SUPPORT	926303			•	•	•	•														
0021	CABLE (ANODE-PROTECH)	340409						•	•													01/08
	CABLE (ELECTRODE)	60000344							•												02/08	06/09
	CABLE (ELECTRODE)	60000344								•											02/08	
	CABLE (ELECTRODE) > P.C.B.	60001108		•	•	•															02/08	
	CABLE (ELECTRODE) > P.C.B.	60001108							•												07/09	
	CABLE	61312173		•	•	•																01/08
0023	ANODE D:21,3 L:390 M5-M8	993312-01			•	•															01/08	
	ANODE D:21,3 L:390 M5-M8	993312-01							•	•											07/08	
0029	SCREW	61005231		•	•	•																
	SELF TAPPING SCREW M 8-16	61315253						•	•												07/09	
	SCREW (M8X25)	918001							•	•												06/08
	SCREW (M10X32)	918061								•	•										07/08	06/09
0030	SCREW (M10X32)	918061			•	•	•	•														
0031	NUT M10	64912308			•	•																
	NUT (M10)	918041							•	•												
0032	FLANGE GASKET 6 STUD	924002			•	•	•	•														
0033	FLANGE GASKET D:121.3-105-7.1	60071829		•	•	•																
	FLANGE GASKET D:121.3-105-7.1	60071829							•	•											07/09	
	FLANGE GASKET 5 HOLES	924001							•	•												06/08
	FLANGE GASKET 6 STUD	924002							•	•											07/08	06/09
0034	CABLE (ELECTRODE) > P.C.B.	60000475		•	•	•	•	•													02/08	
0035	THERMOMETER	65101326		•	•	•	•	•														
0036	P.C.B. (ANODE - PROTECH)	925348-01		•	•	•	•	•														
0037	ANODE (PROTECH)	340406		•	•	•	•	•														
0043	PLASTIC COVER	926301			•	•																
	PLASTIC COVER	926302							•	•												
0044	KIT (CABLE-HOLDER)	996644			•	•	•	•														
0045	NUT (M8)	918004							•	•												06/08
	NUT (M10)	918041								•	•										07/08	06/09
0049	SELF-DRILLING SCREW	61005324		•	•	•																
	SCREW (3.9X22)	918113							•	•												
0051	FOOT (COMPLETE)	926168		•	•	•	•	•														
0052	FOOT M10X40	918063		•	•	•	•	•														
0065	BOX COVER	926299		•	•	•	•	•														
0066	BASE - BOX	60000711		•	•	•	•	•														

LIST OF THE ABBREVIATIONS

HW	: Hot water.
CW	: Cold water.
C	: Ceramic resistance (normal heating).
Ca	: Ceramic resistance (accelerated heating)
TP	: Immersion heater.
1F	: With fittings.
2F	: Without fittings.
3F	: With fittings and another outlet connection.
AMI	: With mixing valve.
SMI	: Without mixing valve.
PUISS	: Power of th appliance.
PN	: Appliance with normal pression.
LP	: Appliance with low pression.
PV	: Appliance with variable power.
PF	: Appliance with fixed power.

IDENTIFICATION PLATE

SERIAL NUMBER

9 Characters : 07 91 00301 (from 01/77 to 12/92)

Month of manufacture _____ Sequential number
Year of manufacture _____

10 Characters : 95 01 065004 (from 01/93 to 06/95)

Year of manufacture _____ Sequential number
Month of manufacture _____

OU

10 Characters : 01 95 065004 (from 07/95)

Month of manufacture _____ Sequential number
Year of manufacture _____

12 Characters : 924 2 3 134 0115

Product reference _____ Sequential number
Year of manufacture _____ Manufacturing day

15 ou 16 Characters : (0)03 070 0001 893077 (from 01/97 to 01/05)

Year of manufacture _____ Product reference
Day of manufacture _____ Sequential number

OU

16 Characters : 05 070 0001 0000000 (from 02/05)

Year of manufacture _____ Product reference
Day of manufacture _____ Sequential number

17 Characters : 07 070 00315 3070107

Year of manufacture _____ Product reference
Sequential number
Manufacturing day (70)

21 Characters : 3000115 XX 08115 0000001

Product reference _____ Sequential number
Year (08) / Manufacturing day (115)

22 Characters : 3000115 XX 070416 0000001

Product reference _____ Sequential number
Year (07) / Month (04) / Manufacturing day (16)

The indications mentioned on the prices, commercial or technical literature and the scheme are written for your guidance and are available at a given time. The CONSTRUCTOR retains the power to modify the presentation, the form, the size, the conception or the material of the products.