

SPARE PARTS EXPLODED VIEW BOILERS

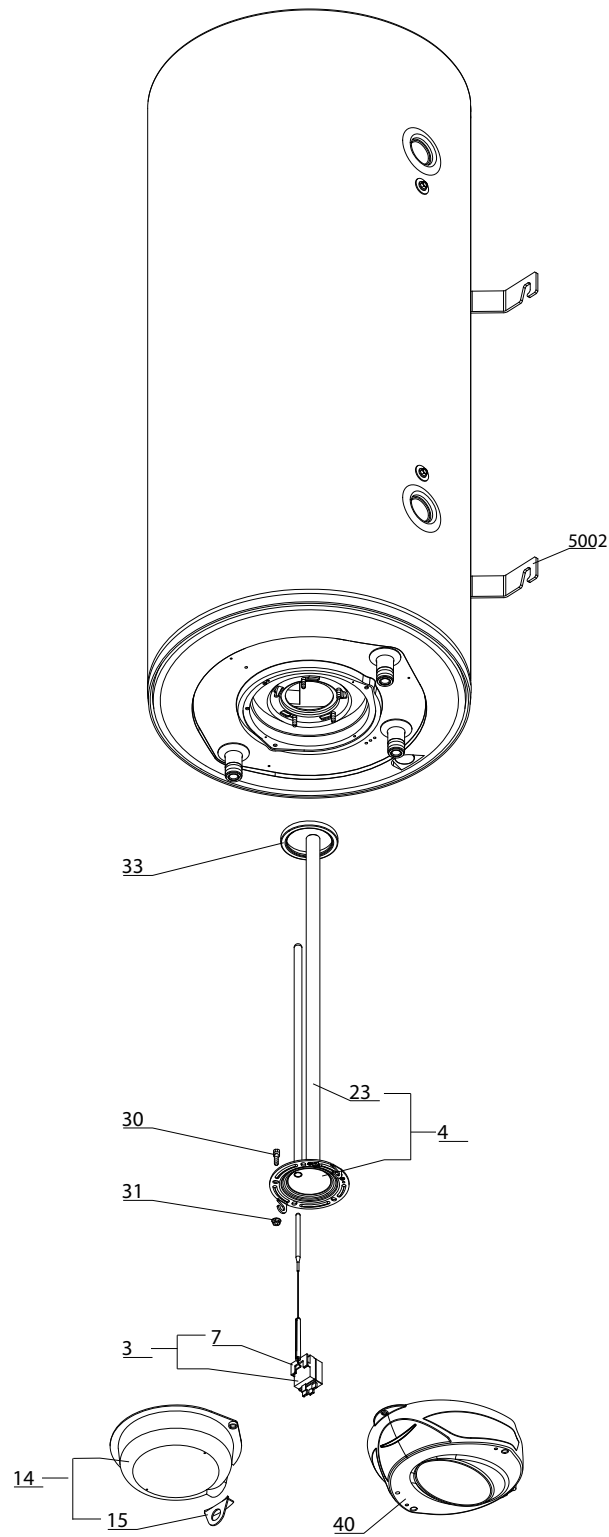
Model

BDR CDS BASIC & PRO

R8216039-10 - 28/11/2017

1	006757	BDR- 80 NEUTRO C/GUAINA	03-1997	05-2013
1	000003070194	BDR CDS 80 BASIC	03-2013	-
1	006807	BDR- 80 LYDIS BDE +GUAINA	09-1997	05-2013
1	3070416	BDR CDS 80 BDE	03-2013	09-2015
1	3070194	BDR CDS 80 NEU	03-2013	09-2015
1	3070515	BDR CDS 80 NEU - EU	06-2015	-
2	006758	BDR- 100 NEUTRO C/GUAINA	03-1997	05-2013
2	000003070195	BDR CDS 100 BASIC	03-2013	-
2	006808	BDR-100 LYDIS BDE +GUAINA	09-1997	05-2013
2	3070417	BDR CDS 100 BDE	03-2013	09-2015
2	3070195	BDR CDS 100 NEU	03-2013	09-2015
2	3070516	BDR CDS 100 NEU - EU	06-2015	-
3	006759	BDR- 120 NEUTRO C/GUAINA	03-1997	05-2013
3	000003070289	BDR CDS 120 BASIC	03-2013	06-2017
3	3070289	BDR CDS 120 NEU	03-2013	09-2015
3	3070517	BDR CDS 120 NEU - EU	06-2015	06-2017
4	006760	Bdr 150 neutre	03-1997	05-2013
4	000003070292	BDR CDS 150 BASIC	03-2013	09-2017
4	006809	BDR-150 LYDIS BDE +GUAINA	09-1997	05-2013
4	3070292	BDR CDS 150 NEU	03-2013	-
4	3070518	BDR CDS 150 NEU - EU	06-2015	09-2017
5	000003070413	BDR CDS 160 BASIC	03-2013	09-2017
5	3070418	BDR CDS 160 BDE	03-2013	09-2015
6	006761	BDR- 200 NEUTRO C/GUAINA	03-1997	05-2013
6	000003070326	BDR CDS 200 BASIC	03-2013	06-2017
6	006810	BDR-200 LYDIS BDE +GUAINA	09-1997	05-2013
6	3070419	BDR CDS 200 BDE	03-2013	09-2015
6	3070326	BDR CDS 200 NEU	03-2013	09-2015
6	3070519	BDR CDS 200 NEU - EU	06-2015	09-2017
7	000003070359	BDR CDS 80 PRO	03-2013	09-2017
8	000003070360	BDR CDS 100 PRO	03-2013	06-2017
9	000003070408	BDR CDS 120 PRO	03-2013	08-2017
10	000003070409	BDR CDS 150 PRO	03-2013	08-2017
11	000003070410	BDR CDS 200 PRO	03-2013	07-2017
12	000003060587	BDR 160 BASIC 2	07-2017	-
13	000003060586	BDR 200 BASIC 2	07-2017	-
14	000003060645	BDR CDS 120 BASIC EU - 2	07-2017	-
14	3070578	BDR CDS 120 NEU - EU 2	09-2017	-
15	000003060647	BDR CDS 150 BASIC EU 2	07-2017	-
15	3070579	BDR CDS 150 NEU - EU 2	09-2017	-
16	3070580	BDR CDS 200 NEU - EU 2	09-2017	-

Col	Reference	Model type	Begin	End
-----	-----------	------------	-------	-----



☉⇒	Description	Manf. Pt. N	Type	<div style="display: flex; justify-content: space-between; font-size: small;"> BDR 80 BASIC BDR 100 BASIC BDR 120 BASIC BDR 150 BASIC BDR 160 BASIC BDR 200 BASIC BDR 80 PRO BDR 100 PRO BDR 120 PRO BDR 150 PRO BDR 200 PRO BDR 160 BASIC-2 BDR 200 BASIC-2 BDR 150 - EU - 2 BDR 200 - EU - 2 </div>																		From	to
				1	2	3	4	5	6	7	8	9	10	11	12	13	14	15	16	17	18		
0003	SWITCH THERMOSTAT	65108539		•	•	•	•	•	•	•	•	•	•	•	•	•	•	•	•				
0004	FLANGE	65103184		•	•	•	•	•	•	•	•	•	•	•	•	•	•	•	•		01/09		
	FLANGE	65103322		•	•	•	•	•	•	•	•	•	•	•	•	•	•	•	•	02/09	02/13		
	FLANGE WITH ANODE	60002154		•	•	•	•	•	•	•	•	•	•	•	•	•	•	•	•	03/13			
0007	THERMOSTAT SUPPORT	65108540		•	•	•	•	•	•	•	•	•	•	•	•	•	•	•	•				
0014	PLASTIC COVER	220283		•	•	•	•	•	•	•	•	•	•	•	•	•	•	•	•		12/07		
	PLASTIC COVER	60002276		•	•	•	•	•	•	•	•	•	•	•	•	•	•	•	•	03/13			
	PLASTIC COVER	65106536		•	•	•	•	•	•	•	•	•	•	•	•	•	•	•	•	01/08	02/13		
0015	CABLE BUSHING	65113517		•	•	•	•	•	•	•	•	•	•	•	•	•	•	•	•				
	CABLE BUSHING	65113517		•	•	•	•	•	•	•	•	•	•	•	•	•	•	•	•	12/13			
	WIRE PIN BRACKET	926124		•	•	•	•	•	•	•	•	•	•	•	•	•	•	•	•	03/13	11/13		
0023	ANODE D:18 L:600 M5-M8	919031-01																					
	ANODE D:21,3 L:550 M5-M8	993207-01																					
	ANODE D:21,3 L:800 M8	291086																					
	ANODE D:25,5 L:230 M5-M8	993014-01																					
0030	SCREW M6X20	65151225		•	•	•	•	•	•	•	•	•	•	•	•	•	•	•	•	03/13			
	SCREW M8X20	570316		•	•	•	•	•	•	•	•	•	•	•	•	•	•	•	•		02/13		
0031	LOCK NUT M6	994140		•	•	•	•	•	•	•	•	•	•	•	•	•	•	•	•	03/13			
	NUT M8	570127		•	•	•	•	•	•	•	•	•	•	•	•	•	•	•	•		02/13		
0033	FLANGE GASKET	65108538		•	•	•	•	•	•	•	•	•	•	•	•	•	•	•	•	02/09	02/13		
	FLANGE GASKET (5 HOLES)	65150952-FA		•	•	•	•	•	•	•	•	•	•	•	•	•	•	•	•	03/13			
	FLANGE GASKET (D.75)	290173		•	•	•	•	•	•	•	•	•	•	•	•	•	•	•	•		01/09		
0040	COVER	60002180																		03/13			
5000	ACCESSORIES																						
5002	WALL FIXING BRACKET D:470-505-560-570	912006		•	•	•	•	•	•	•	•	•	•	•	•	•	•	•	•				

LIST OF THE ABBREVIATIONS

HW	: Hot water.
CW	: Cold water.
C	: Ceramic resistance (normal heating).
Ca	: Ceramic resistance (accelerated heating)
TP	: Immersion heater.
1F	: With fittings.
2F	: Without fittings.
3F	: With fittings and another outlet connection.
AMI	: With mixing valve.
SMI	: Without mixing valve.
PUISS	: Power of th appliance.
PN	: Appliance with normal pression.
LP	: Appliance with low pression.
PV	: Appliance with variable power.
PF	: Appliance with fixed power.

IDENTIFICATION PLATE

SERIAL NUMBER

9 Characters : 07 91 00301 (from 01/77 to 12/92)

Month of manufacture _____ Sequential number
Year of manufacture _____

10 Characters : 95 01 065004 (from 01/93 to 06/95)

Year of manufacture _____ Sequential number
Month of manufacture _____

OU

10 Characters : 01 95 065004 (from 07/95)

Month of manufacture _____ Sequential number
Year of manufacture _____

12 Characters : 924 2 3 134 0115

Product reference _____ Sequential number
Year of manufacture _____ Manufacturing day

15 ou 16 Characters : (0)03 070 0001 893077 (from 01/97 to 01/05)

Year of manufacture _____ Product reference
Day of manufacture _____ Sequential number

OU

16 Characters : 05 070 0001 0000000 (from 02/05)

Year of manufacture _____ Product reference
Day of manufacture _____ Sequential number

17 Characters : 07 070 00315 3070107

Year of manufacture _____ Product reference
Sequential number
Manufacturing day (70)

21 Characters : 3000115 XX 08115 0000001

Product reference _____ Sequential number
Year (08) / Manufacturing day (115)

22 Characters : 3000115 XX 070416 0000001

Product reference _____ Sequential number
Year (07) / Month (04) / Manufacturing day (16)